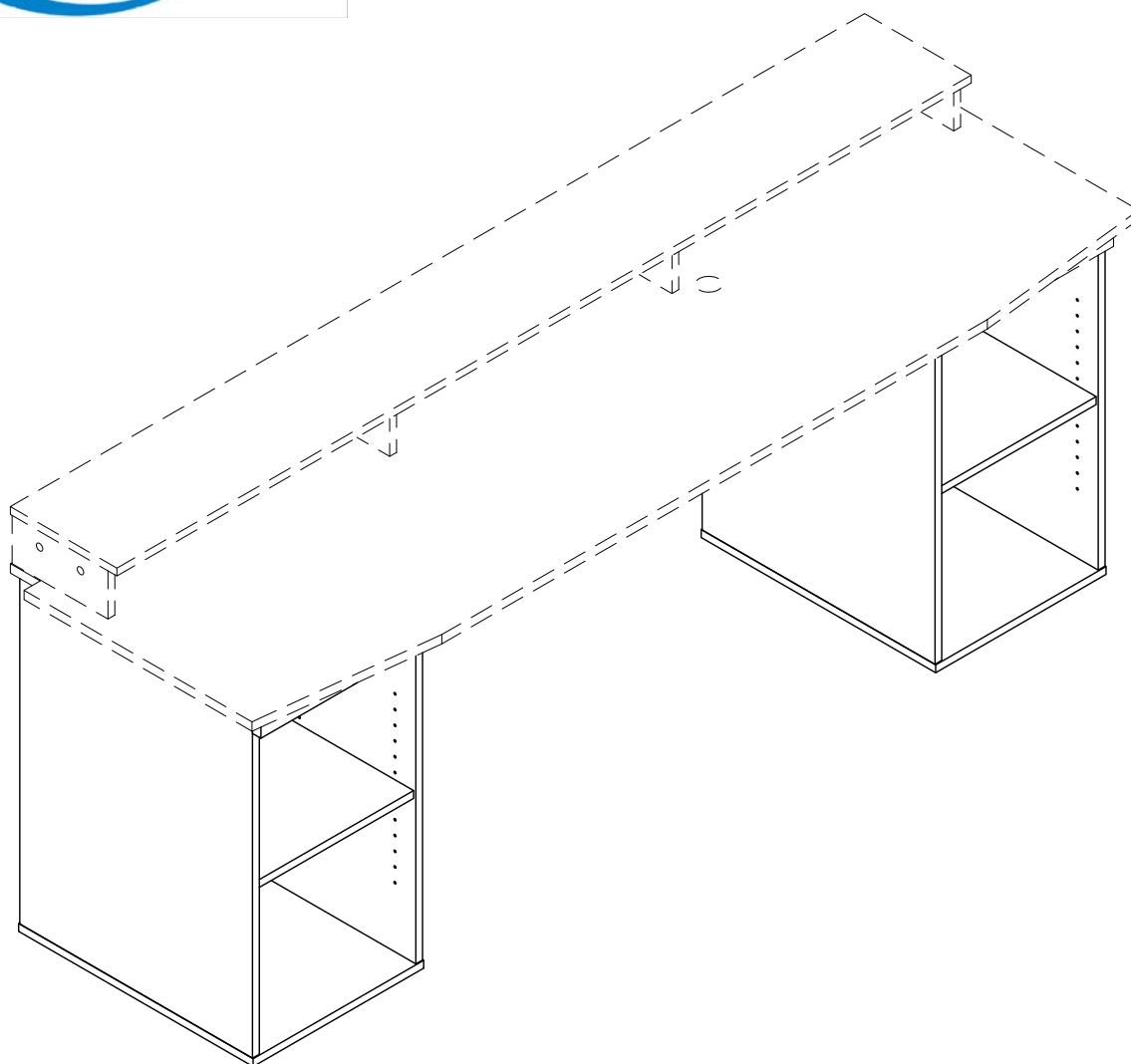




Gaming Desk

?????????

Assembly instructions - please keep for future reference

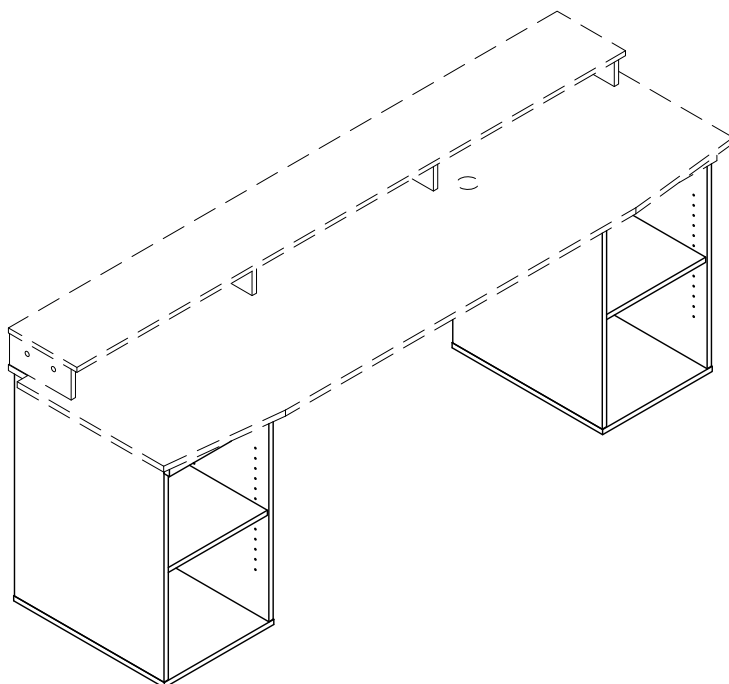


Dimensions

Width- 208 cm
Depth- 65 cm
Height- 85,5 cm

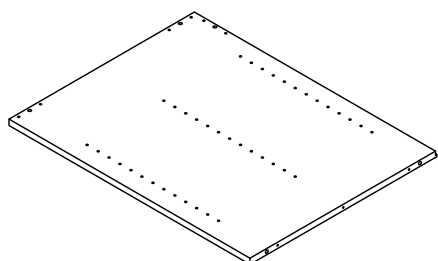
Important- Please read these instructions fully before starting assembly

If you need help or have damaged or missing parts, call the Customers Helpline: 03301241100
E mail: enquiries@bensonsforbeds.co.uk

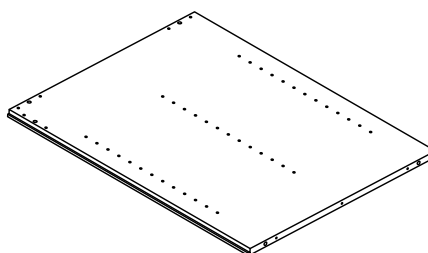


Components- Panels

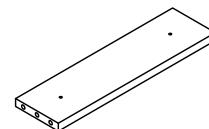
Please check that you have the panels listed below



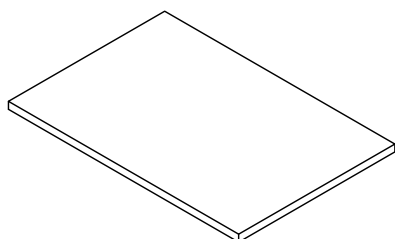
1 Left side x2
(70,4x54,6x1,6 cm)



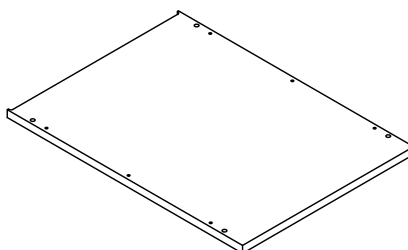
2 Right side x2
(70,4x54,6x1,6 cm)



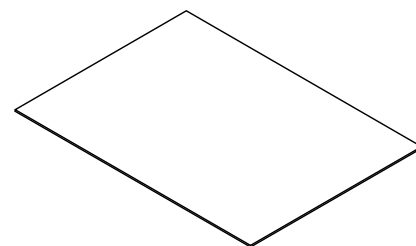
3 Support rails x6
(36,7x10x1,6 cm)



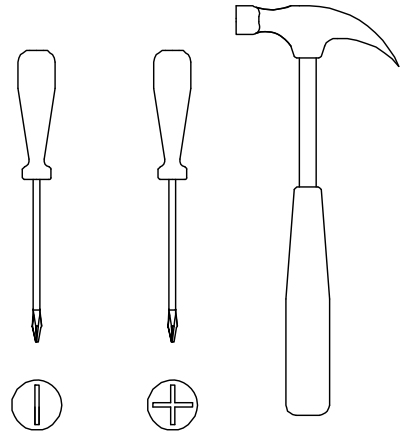
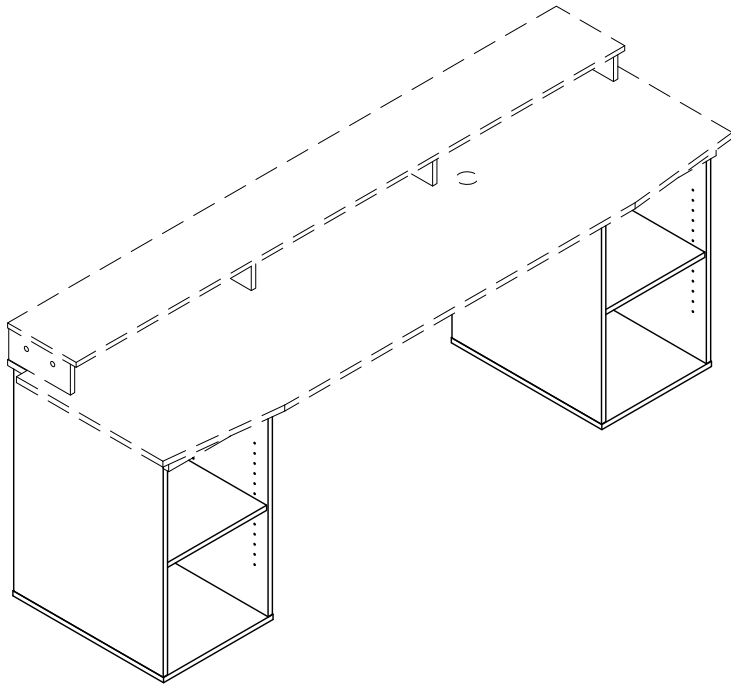
4 Shelf x2
(36,5x53,8x1,6 cm)



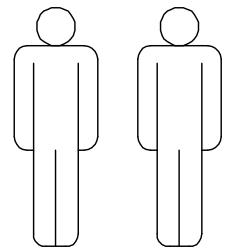
5 Base x2
(40x55x1,6 cm)



6 Back panel x2
(71,9x38,5x3,2cm)




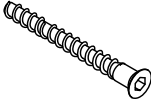
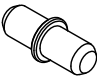
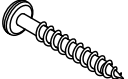
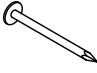



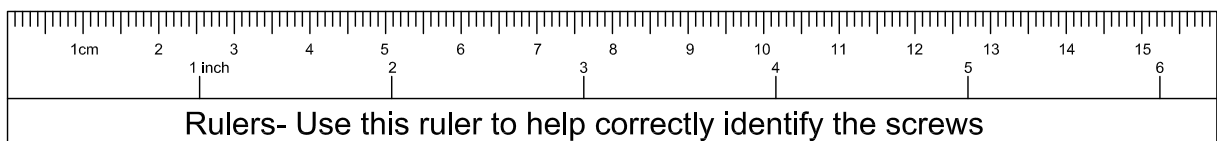
Tools that are needed



Components- Fittings

Please check that you have the fittings listed below

 A 8x30 20x	 B 24x	 C 24x	 D 5x50 12x	 E 12x	 F 4x25 8x
				 G 50x	 H 8x



Step 1

In this step use these fittings:

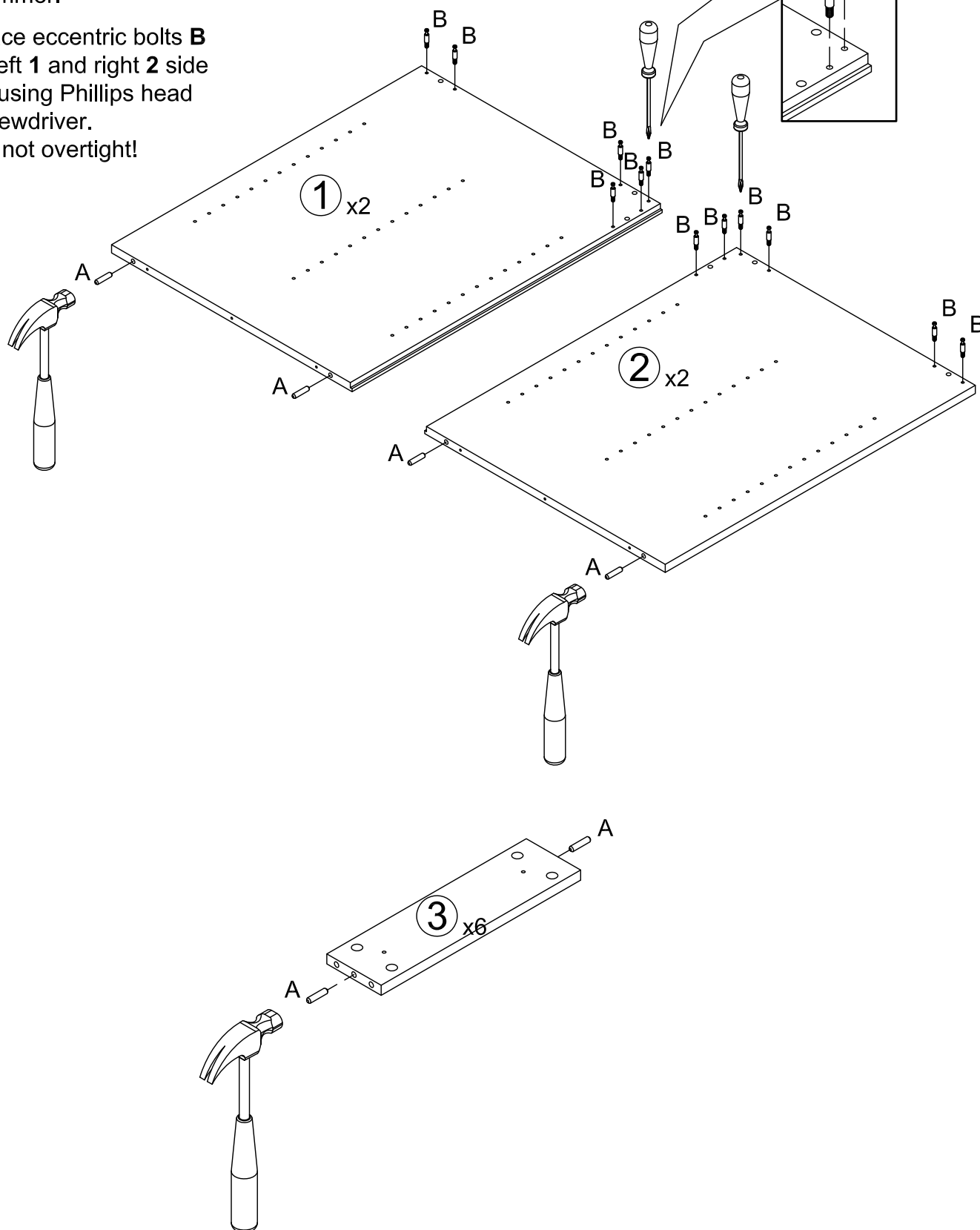
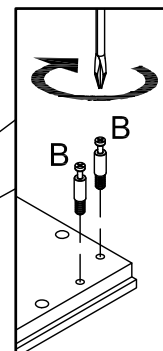
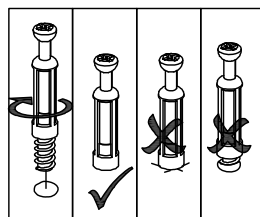
Ax20

Bx24

Insert dowels **A** in left **1** and right **2** side and support rails **3**. Tap gently with a small hammer.

Place eccentric bolts **B** in left **1** and right **2** side by using Phillips head screwdriver.

Do not overtight!

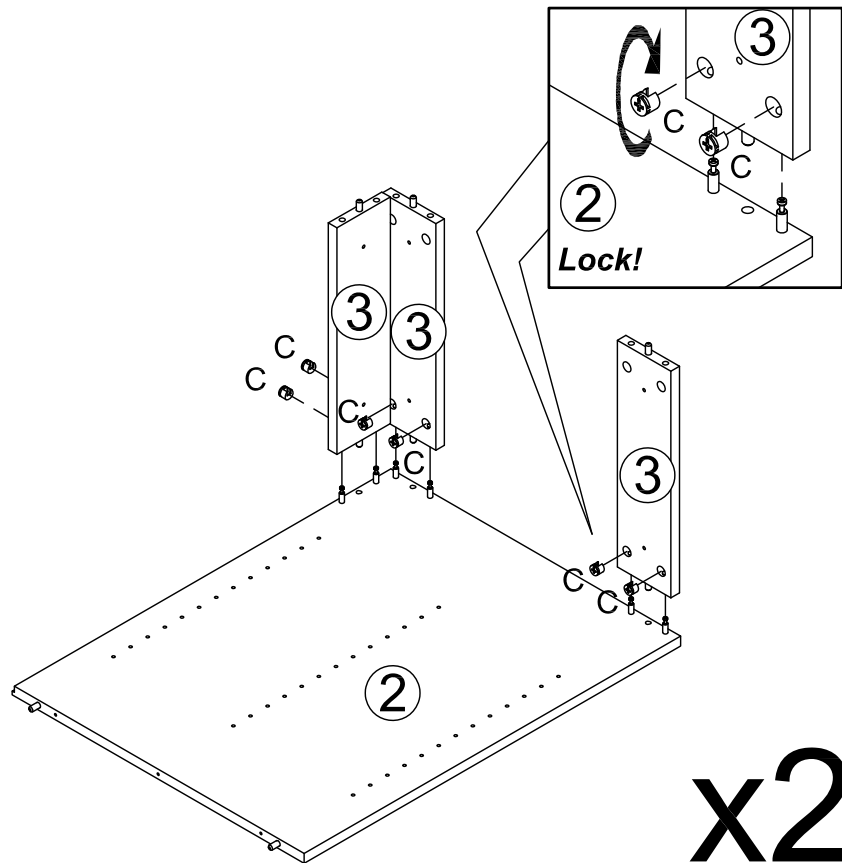


Step 2

In this step use these fittings:

Cx12

Assemble right side **2** to support rails **3** by pushing them together. Insert locking nut **C** using Phillips head screwdriver.

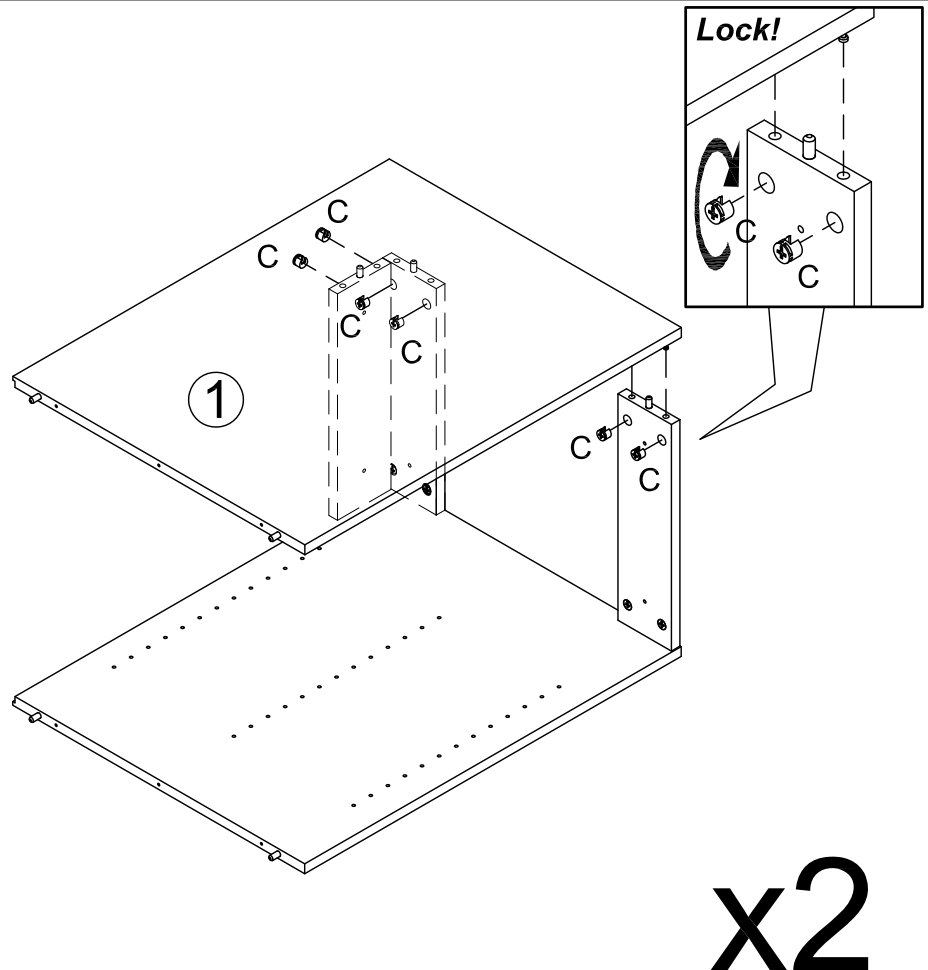


Step 3

In this step use these fittings:

Cx12

Assemble left side **1** to support rails **3** by pushing them together. Insert locking nut **C** using Phillips head screwdriver.

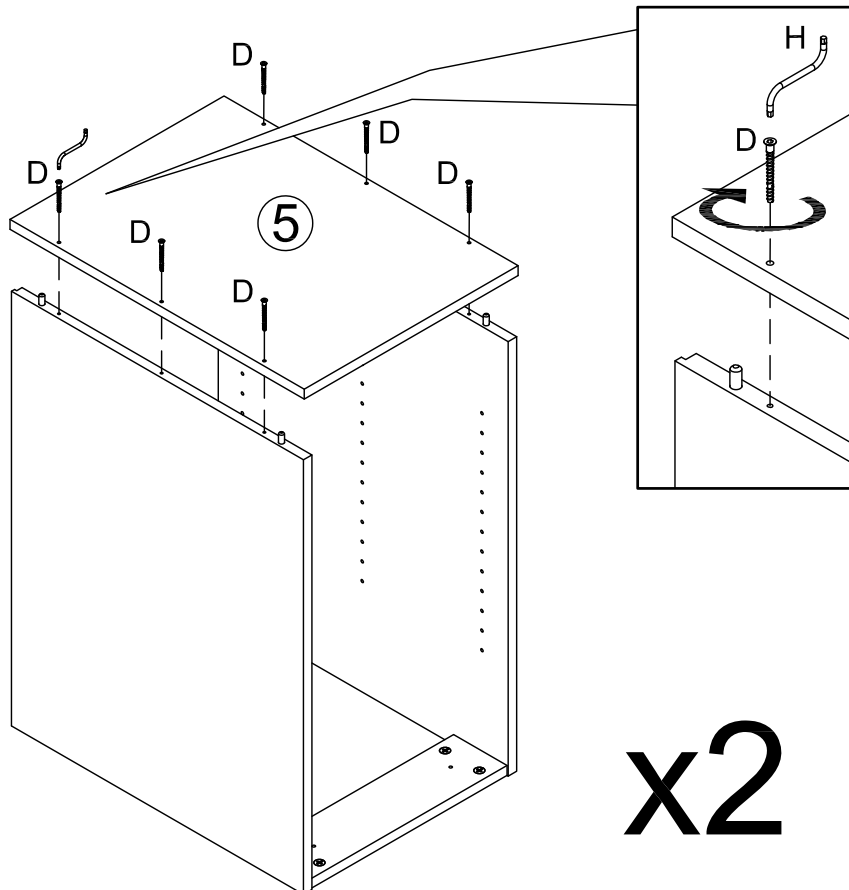


Step 4

In this step use these fittings:

Dx12

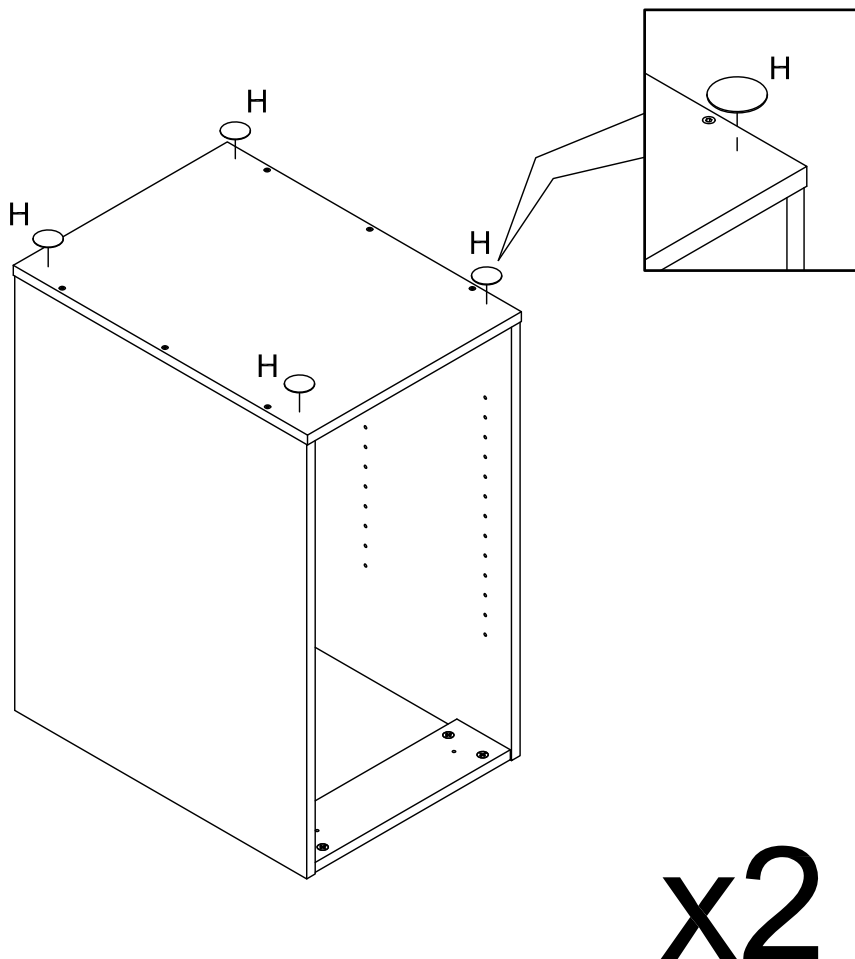
Assemble base **5** to frame by pushing them together and fasten with connecting bolts **D** using allen key **H**.



Step 5

In this step use these fittings:

Hx8



Step 6

7/10

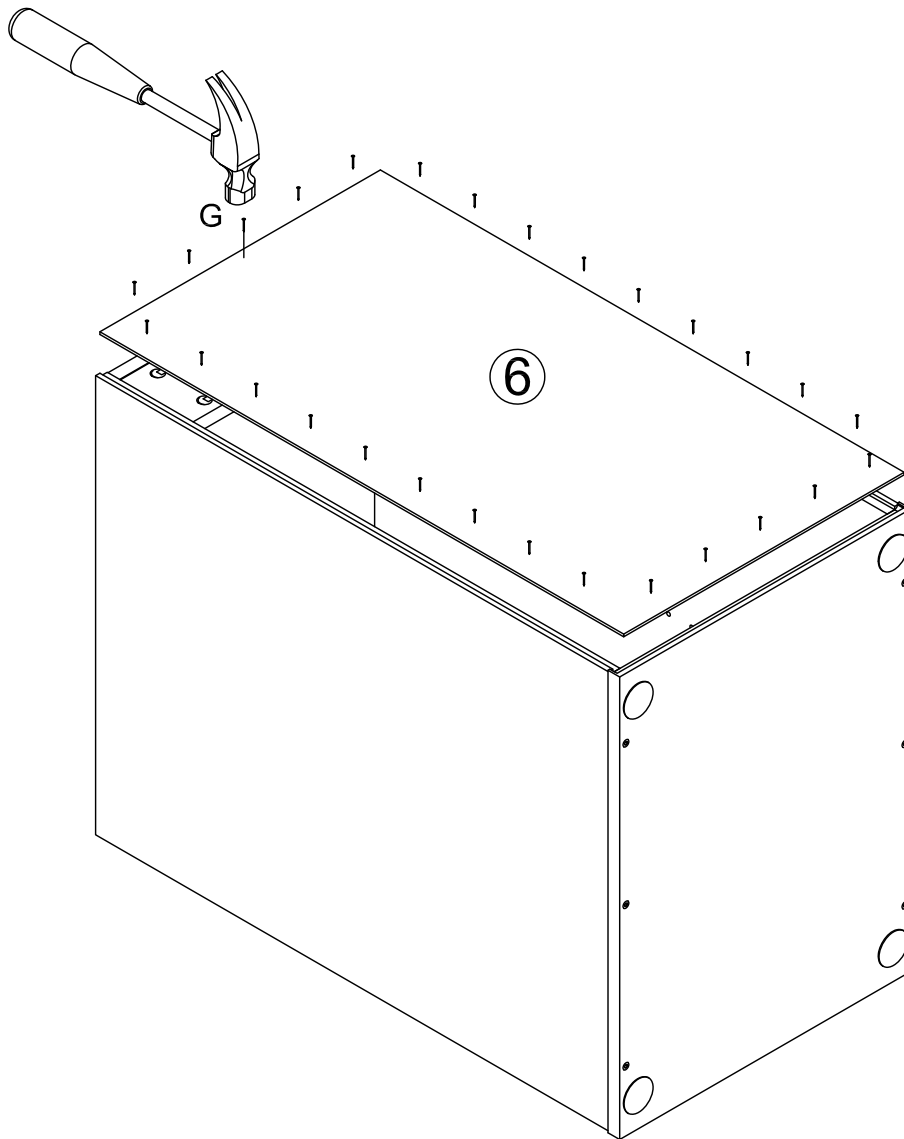
In this step use these fittings:

Gx50

Assemble back panel **6**
with nail **G**. Using small
hammer.

Optional

If required the back panel (Part **6**) can be not used to aid ventilation of a PC.



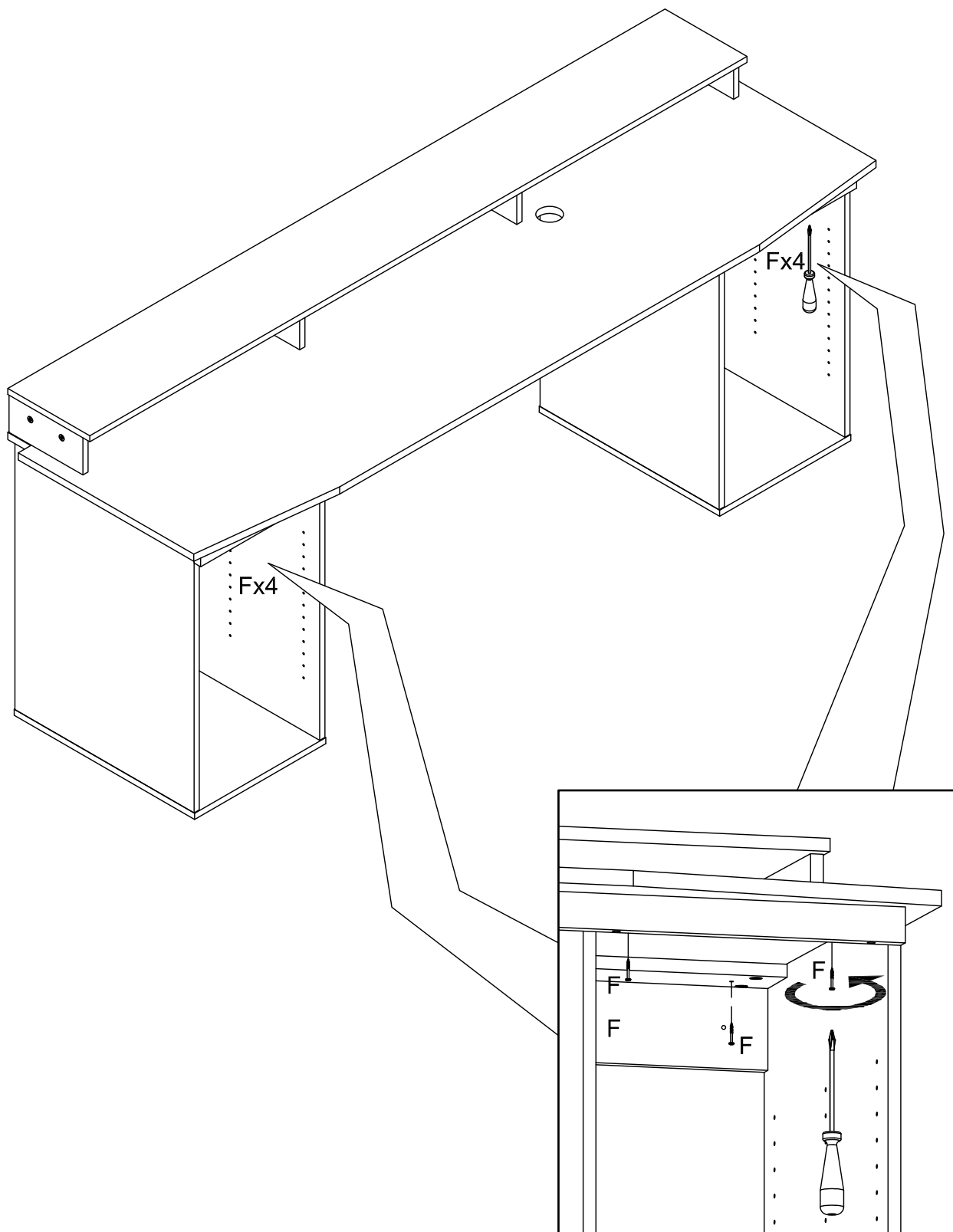
x2

Step 7

In this step use these fittings:

Fx8

Fasten case to the table top with screws **F** using Phillips head screwdriver.

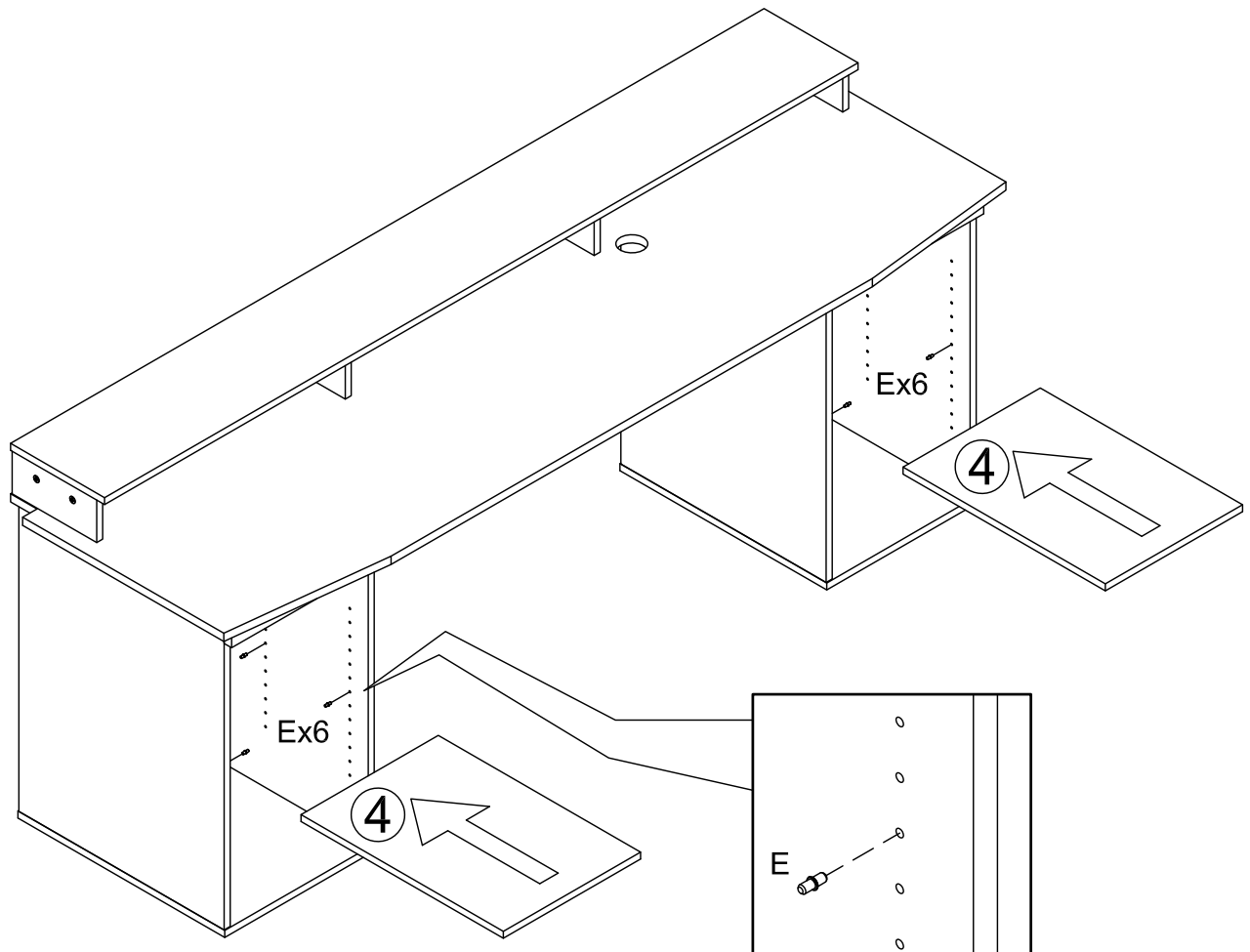


Step 8

In this step use these fittings:

Ex12

Assemble shelf **4** with shelf support **E**.





Customer Notice

Congratulations on your recent purchase of furniture!

Customer Service:

For any spare or missing parts requests please contact us through either:

Phone: 01274 809402

Email: service@kids-avenue.co.uk

By Post: Kids-Avenue, The Old Mill House, Dockfield Rd, Shipley, BD17 7AD

(Our office is open during normal working hours Mon-Fri 9.00am – 5.00pm)

Please ensure that you provide all product information to avoid delays in processing. We require:

Product Name

Colour

Part No required (from assembly instructions)

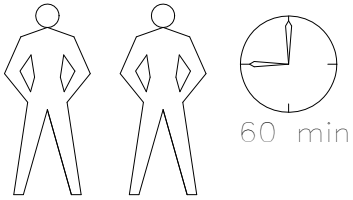
Quantity Required

Your details including; Name, Address, Postcode and Contact Number

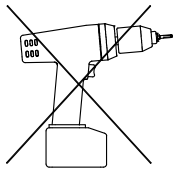
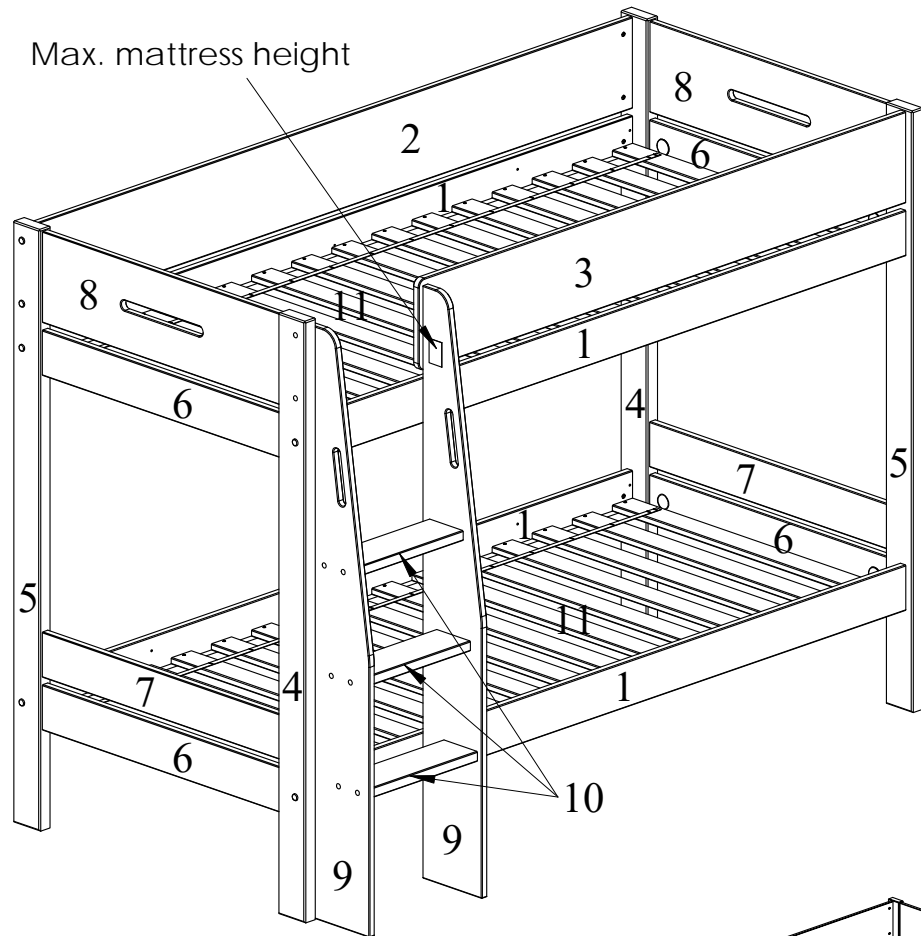
Our product control team has ensured a high quality product that we are sure you will be pleased with. Any components produced from solid wood will contain knots, which is a natural feature and not a defect.

IMPORTANT - READ CAREFULLY - KEEP FOR FUTURE REFERENCE

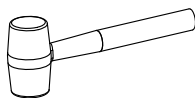
- a) **WARNING** Raised beds and the upper bed in a bunk bed assembly are not good for children under 6 years old because of the risk of injury from falling from such beds,
- b) **WARNING** If the raised and bunk beds are not used correctly, they can present a serious risk of injury from strangulation. Never attach or suspend things from the upper bunk bed that are not going to be used with that bed.
Such things include - but are not limited to - cords, string, sashes, hooks, belts and bags.
- c) **WARNING** Children can find themselves trapped between the bed and wall, or inclined roof wall, ceiling, adjacent pieces of furniture (such as cupboards) or other items.
To avoid any risk of serious injury, the distance between the upper safety barrier and surrounding items should not exceed 75 mm - or the distance should be greater than 230 mm.
- d) **WARNING** Do not use the upper bunk bed or a raised bed if a part of the structure is missing or broken. Spare parts should be requested from the manufacturer or shop.
- e) It is essential that the manufacturer's instructions on assembly and use are followed.
- f) The recommended size of the mattress to be used with the bed is 2000mm x 900mm, Maximum mattress thickness: 159mm,
- g) Mattresses must be aired to maintain a low humidity and to stop moisture building up in the bed and its surroundings.
- k) The fastenings put in place on assembly should all be properly tightened and regularly checked. Retighten the fastenings as necessary.
- l) This complies with the requirements of the European Safety Standard NF EN 747+A1: 2015.
- m) The presence of a night light could give more safety for a child sleeping in an upper bed.



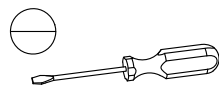
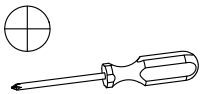
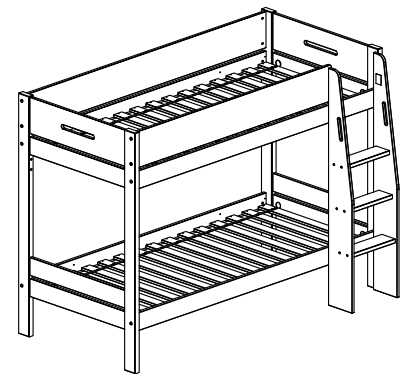
Max. mattress height



Tools needed (not supplied)



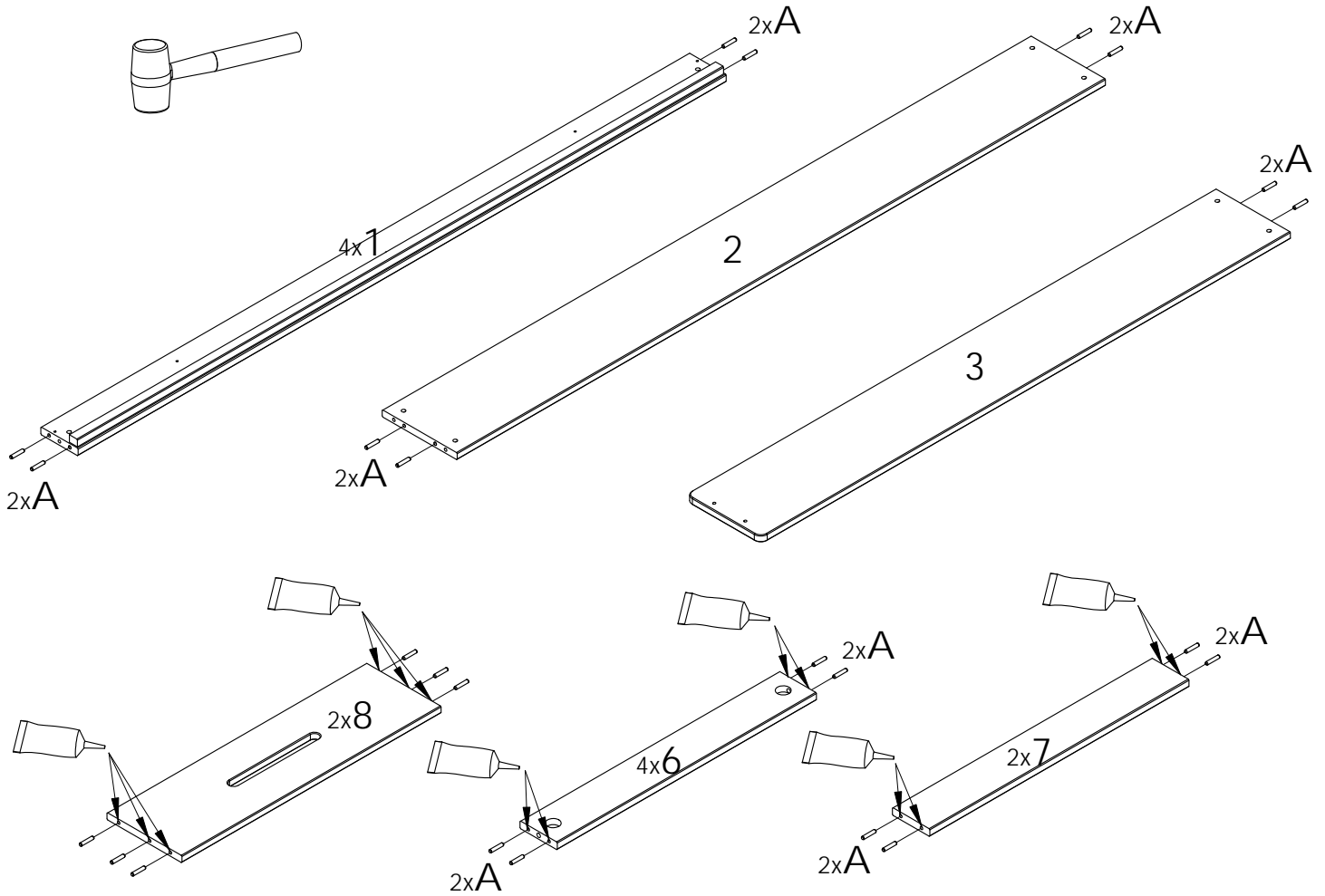
Ladder can be fitted right or left side.

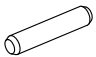


A		8x40	x58
B		7x60	x8
C		D35	x8
D		7x50	x12
E		M6x75	x14
F		D6x10x13	x14
G		55/12,5x5	x6

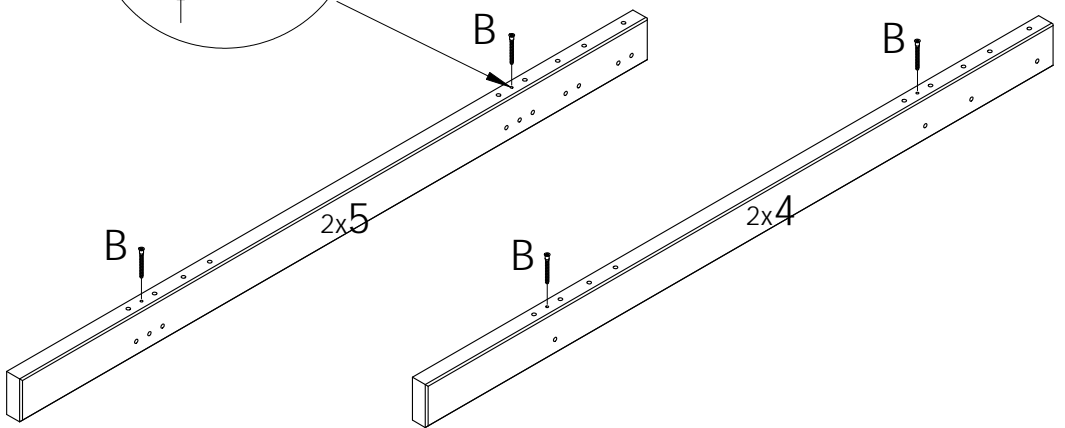
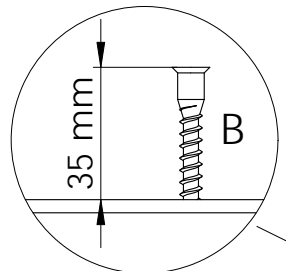
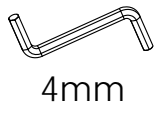
H		3,5x40	x60
J		D35	x8
K		D4x13	x12
L		D8x13	x6
M		D15x18	x14
N		4mm	x1
P		GLUE	x2

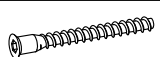
1



A		8x40	x58
---	---	------	-----

2



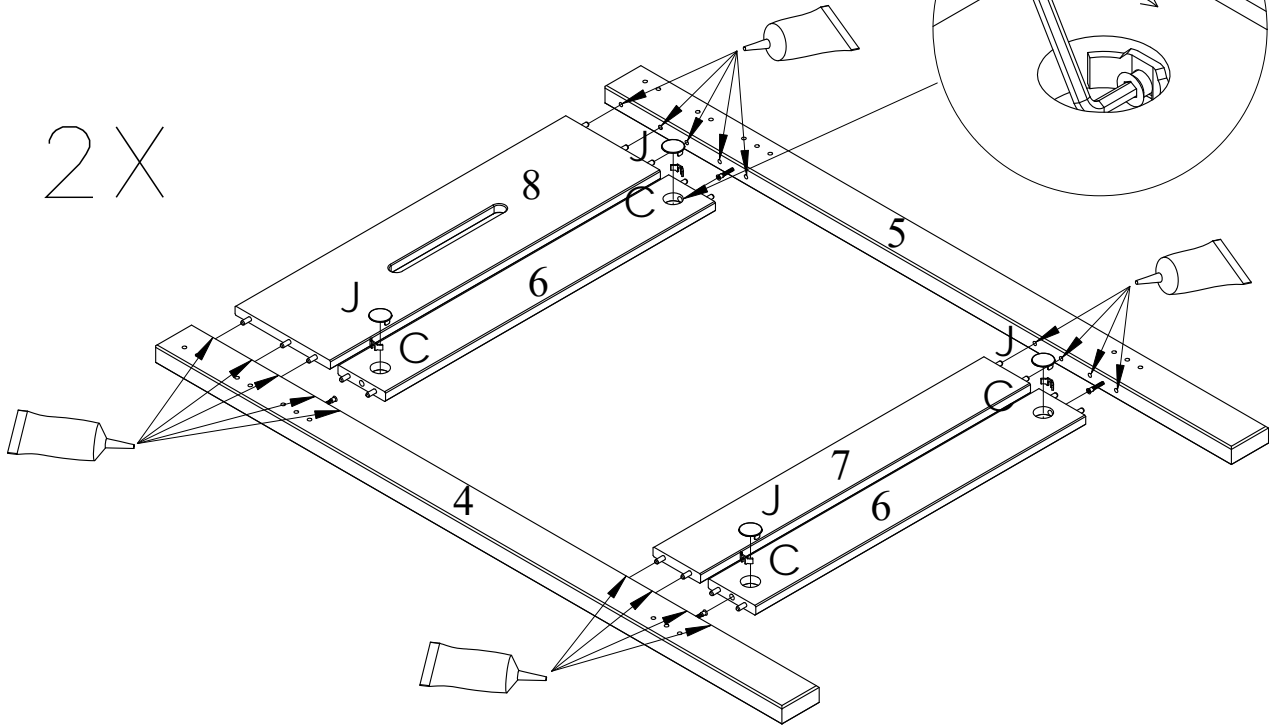
B		7x60	x8
---	---	------	----

3



4mm

2X



C



D35

x8

J



D35

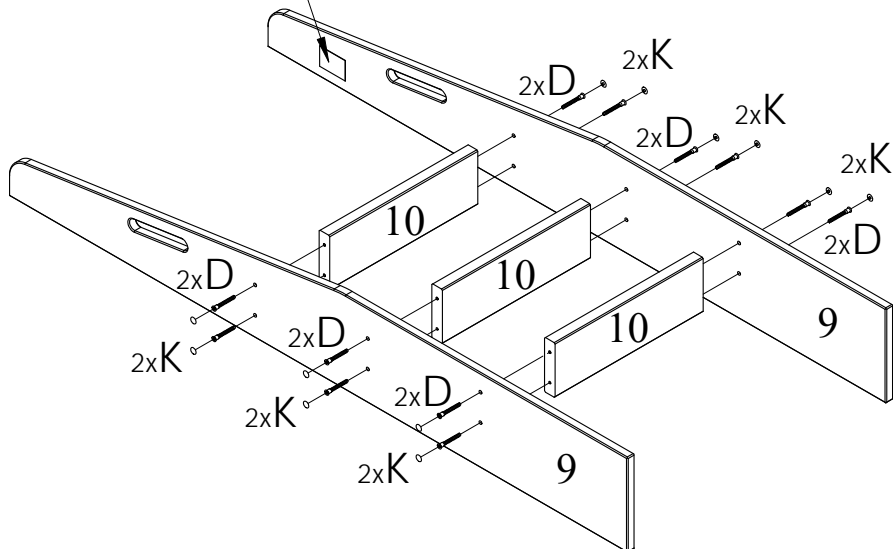
x8

4



4mm

Always placed inside the ladder



D



7x50

x12

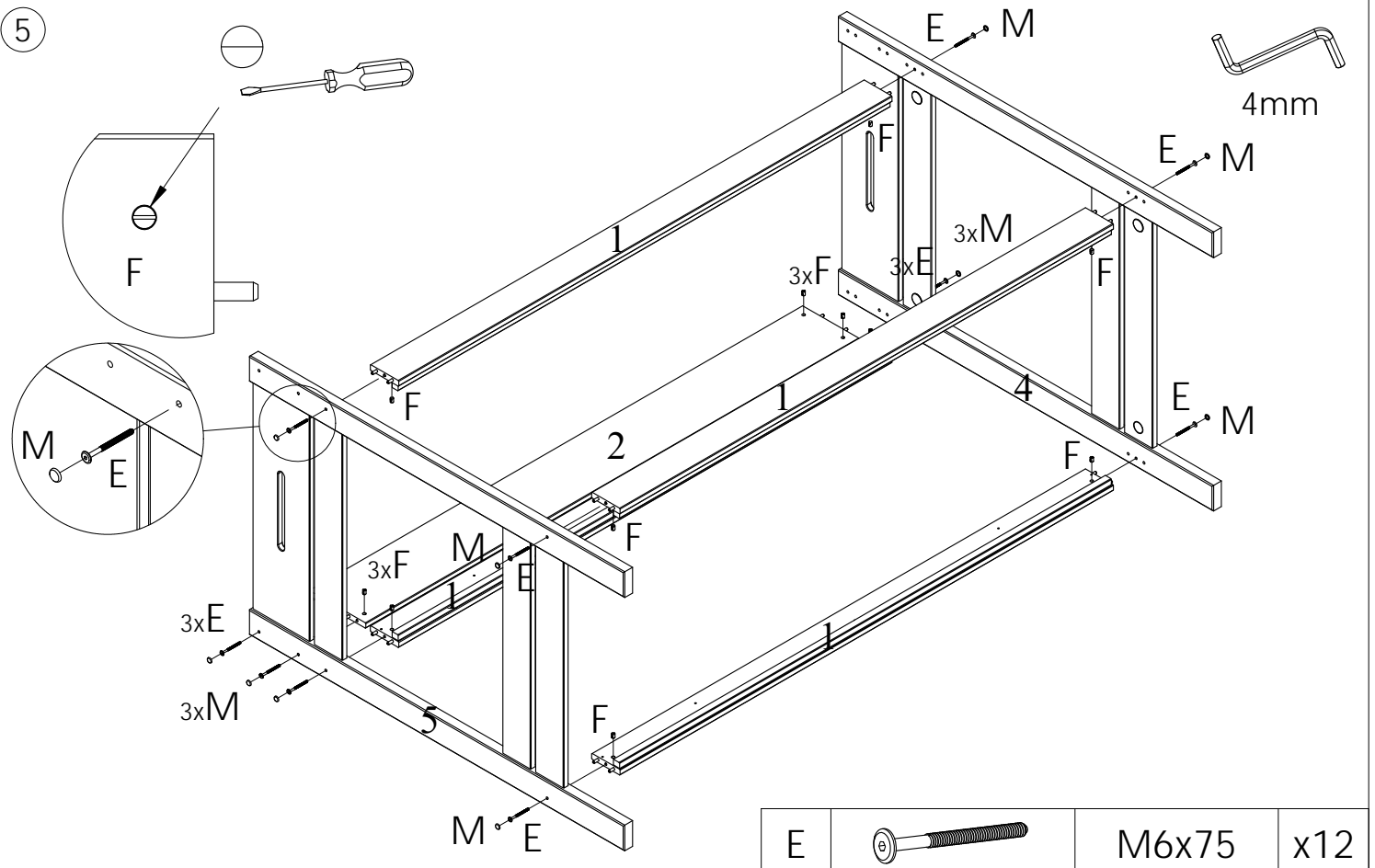
K






D4x13

x12

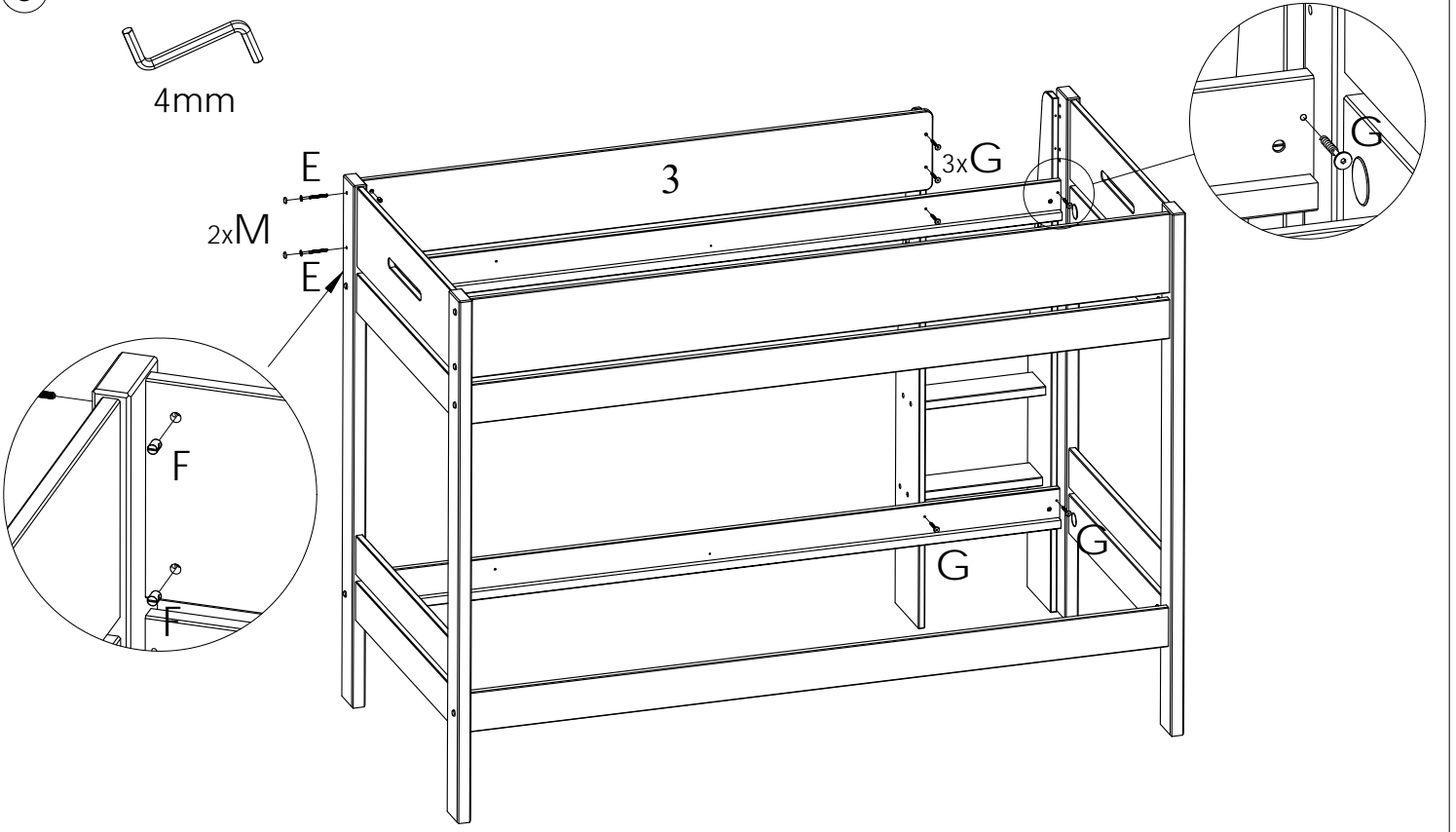
5







M		D15x18	x12
---	---	--------	-----

E		M6x75	x12
F		M6x10x13	x12

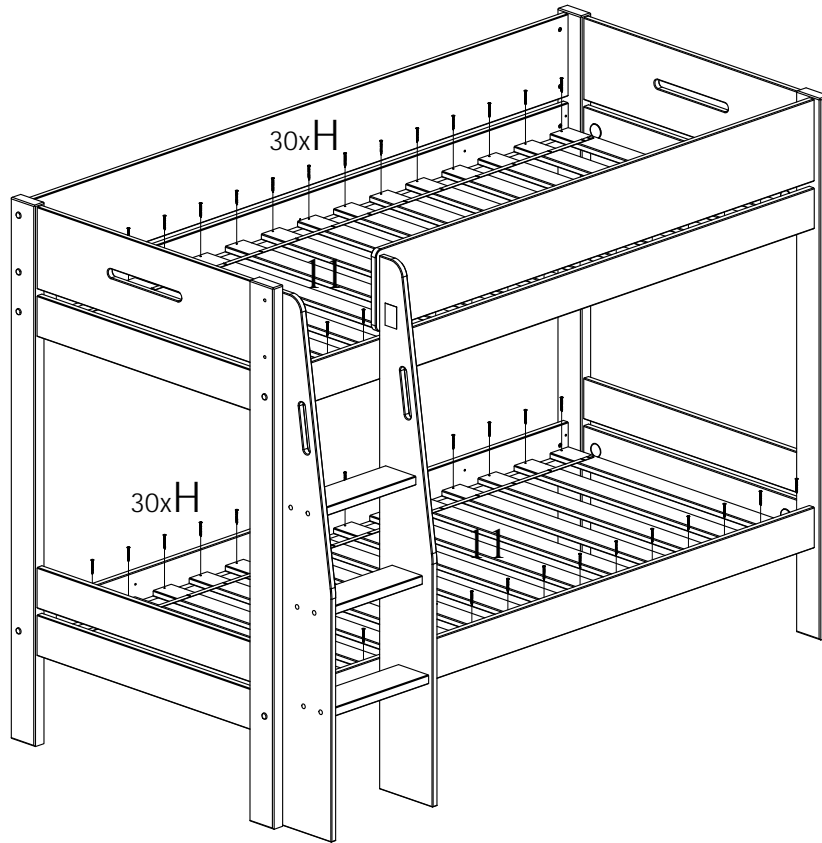
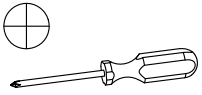
6



E		M6x75	x2
F		M6x10x13	x2

G		55/12,5x5	x4
M		D15x18	x2

7

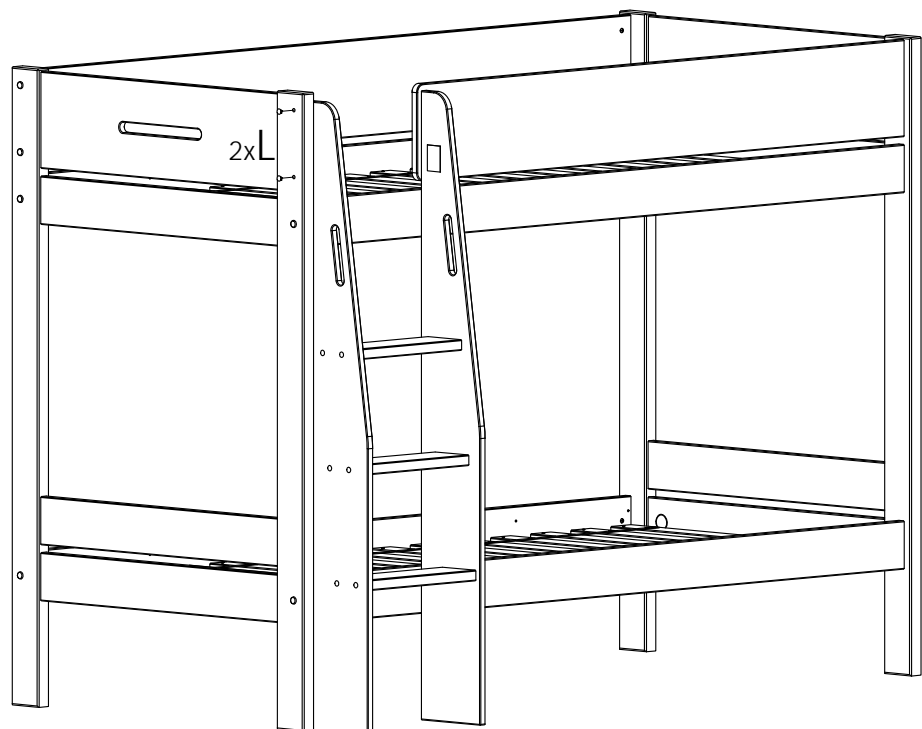
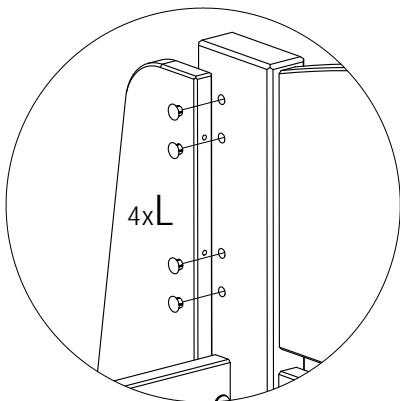


H



3,5x40 x60

8



L



D8x13 x6

NR821
max. mattress 900x2000x155

