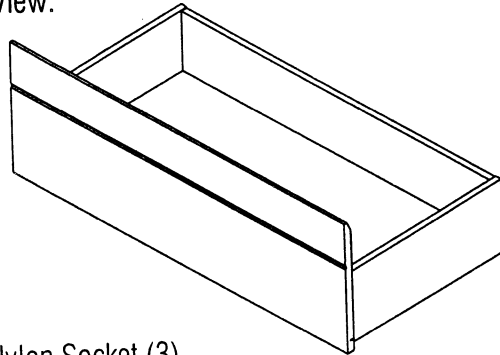


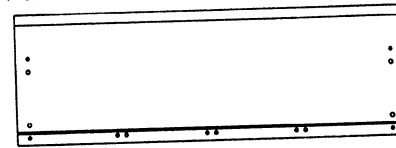
Assembly Instructions

BEDFORD STORAGE BOX 315

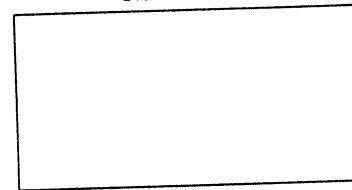
Assembled View.



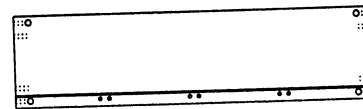
Part in Box



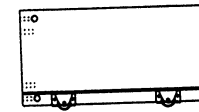
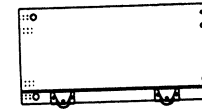
Drawer Front x 2 (A)



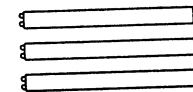
Drawer Bottom x 2 (B)



Back Panel x 2 (C)


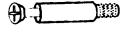

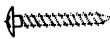




Side Panel (D)
x 4

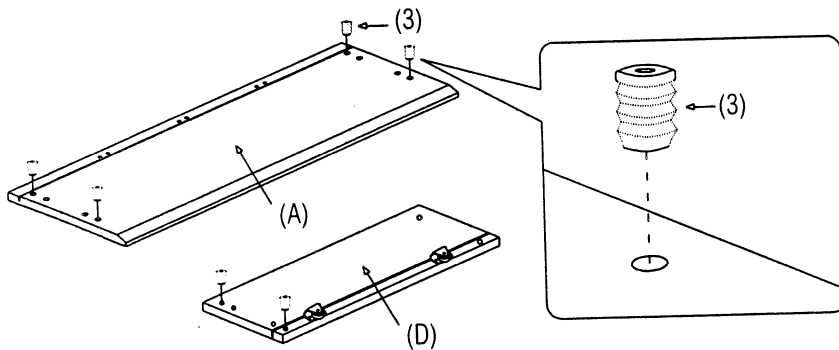


Support Rails (E)
x 6

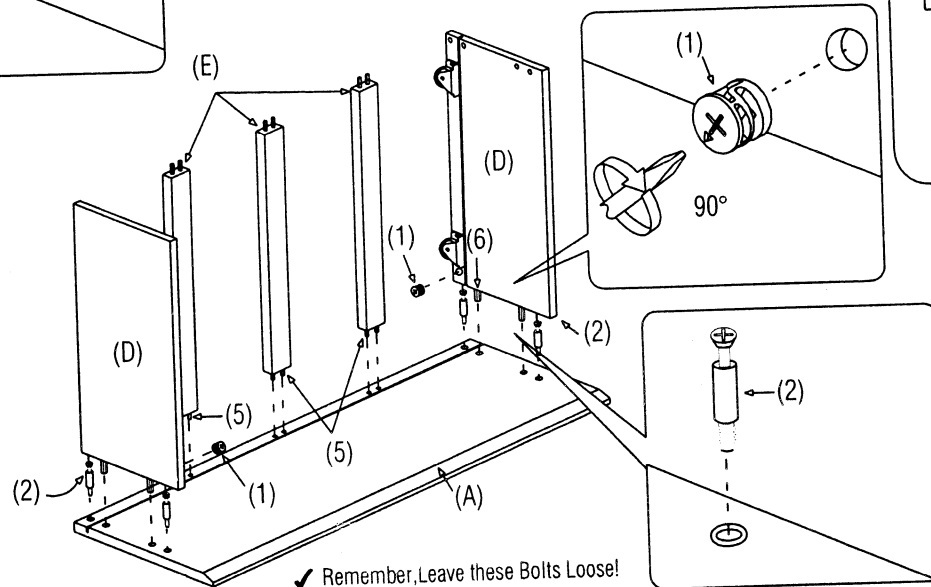
Hardware List

1.	Minifix Housing		x 16
2.	Connecting Bolt		x 16
3.	Nylon Socket		x 16
4.	Pan Head Screw M4 x 32mm		x 12
5.	Wood Dowel M8 x 35mm		x 24
6.	Wood Dowel M10 x 35mm		x 16

① Fit in the Nylon Socket (3).



② Fit Side Panel (D) and Support Rails (E) onto Drawer Front (A).



Lay the Drawer Front (A) on a smooth, flat surface so the holes are facing upwards.

Fit the Side Panels (D) to the Drawer Front (A), fitting the dowels (7) in the holes. Bolt the Side Panel (D) to the Drawer Front (A), but don't fully tighten these yet. Leave them a bit loose, to make fitting the Back Panel (C) easier.

Fit the Support Rails (E) into dowel (5) holes provided on the Drawer Front (A).

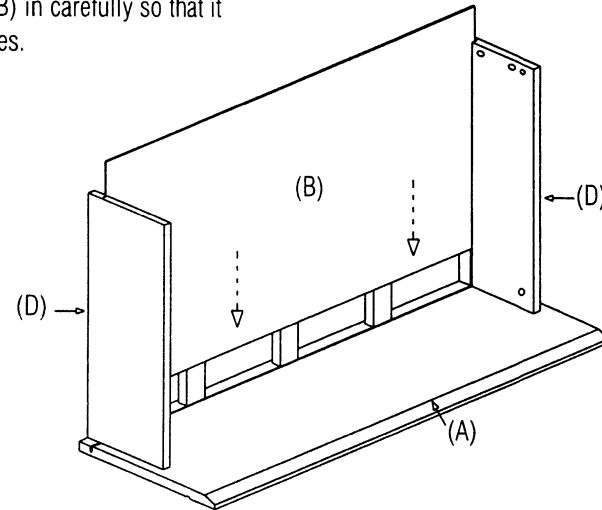
✓ Remember, Leave these Bolts Loose!

Tool required for assembly :

* Phillips Screwdriver
(not supplied)

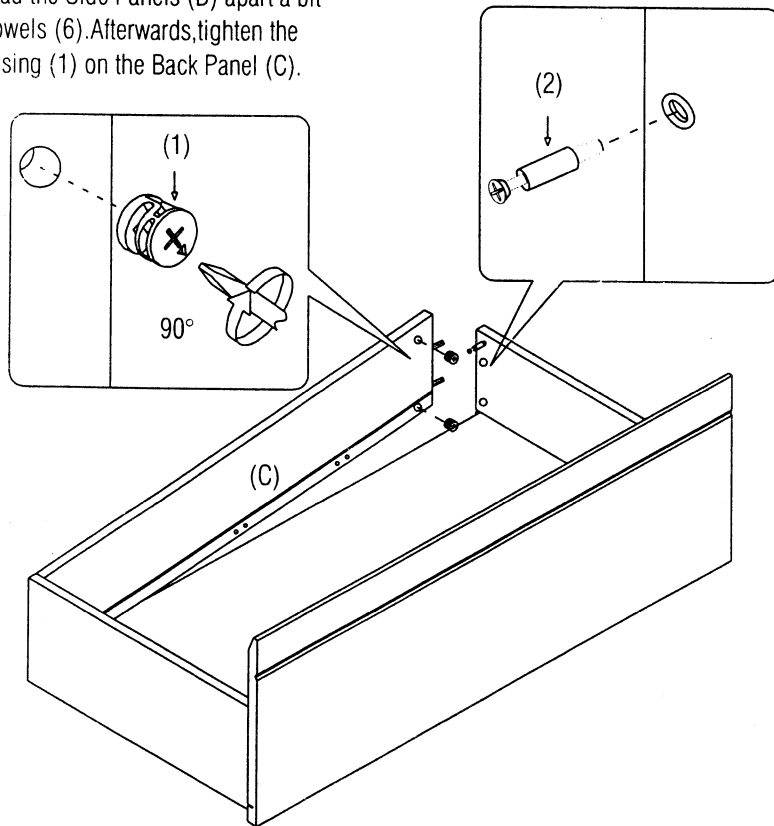
③ Fit the Drawer Bottom (B).

Guide the Drawer Bottom (B) in carefully so that it won't jump out of its grooves.



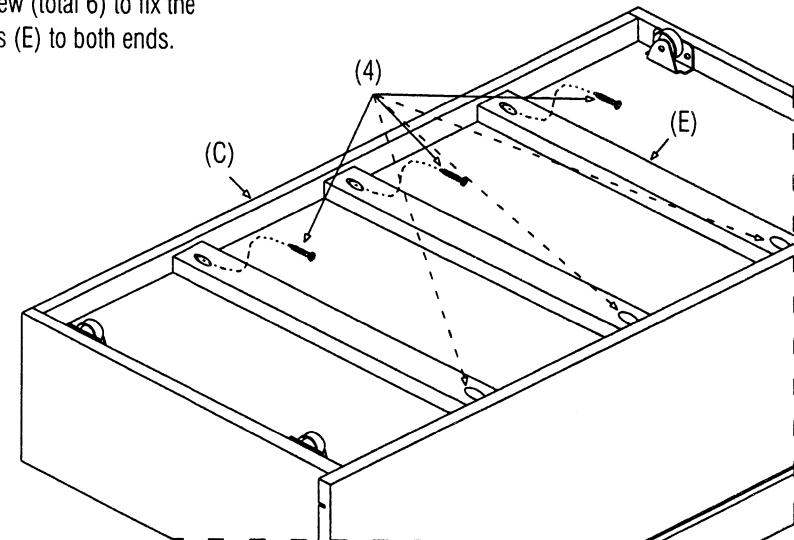
④ Fit the Back Panel (C).

Fit the Nylon Socket (3) & Connecting Bolt (2). Gently spread the Side Panels (D) apart a bit to fit the dowels (6). Afterwards, tighten the Minifix Housing (1) on the Back Panel (C).



⑤ Fit the Pan Head Screw (4) to the Support Rails (E).

From the bottom, use 32mm Pan Head Screw (total 6) to fix the Supports Rails (E) to both ends.



Assembly Instructions Bedford Bunk Bed

1/6

Safety Advice

Please take the time to carefully read through the whole of these instructions before you commence.

Keep these instructions for future reference.

Unpack, inspect and check off all of the contents.

Please dispose of all packaging safely.

Small component parts could choke a child if swallowed.

We strongly recommend that you keep children well away from the work area.

It would be sensible to lay a sheet or blanket on the floor where you intend to work to avoid scratching this product and to protect your floor.

This product is heavy. Take extreme care when lifting to avoid personal injury or damage to the product.

Assemble the product as close to its intended final position in the room as possible.

Please check the contents of boxes before attempting to assemble this product. A full checklist of parts and fittings is given in page 3 of this instruction leaflet.

This bunk bed is not designed to be split for use as 2 beds.

HANDY HINT : If you keep the hardware in a bowl during assembly you will be less likely to lose them.

IMPORTANT-READ CAREFULLY-RETAIN FOR FUTURE REFERENCE

WARNING: High beds and the upper bed of bunks beds are not suitable for children under six years due to the risk of injury from falls

WARNING: Bunk beds and high beds can present a serious risk of injury from strangulation if not used correctly.

Never attach or hang items to any part of the bed that are not designed to be used with the bed, for example, but not limited to, ropes, strings, cords, hooks, belts and bags.

WARNING: Children can become trapped between the bed and the wall, a roof pitch, the ceiling, adjoining pieces of furniture (e.g. cupboards) and the like. To avoid risk of serious injury, the distance between the top safety barrier and the adjoining structure shall not exceed 75mm or shall be more than 230mm.

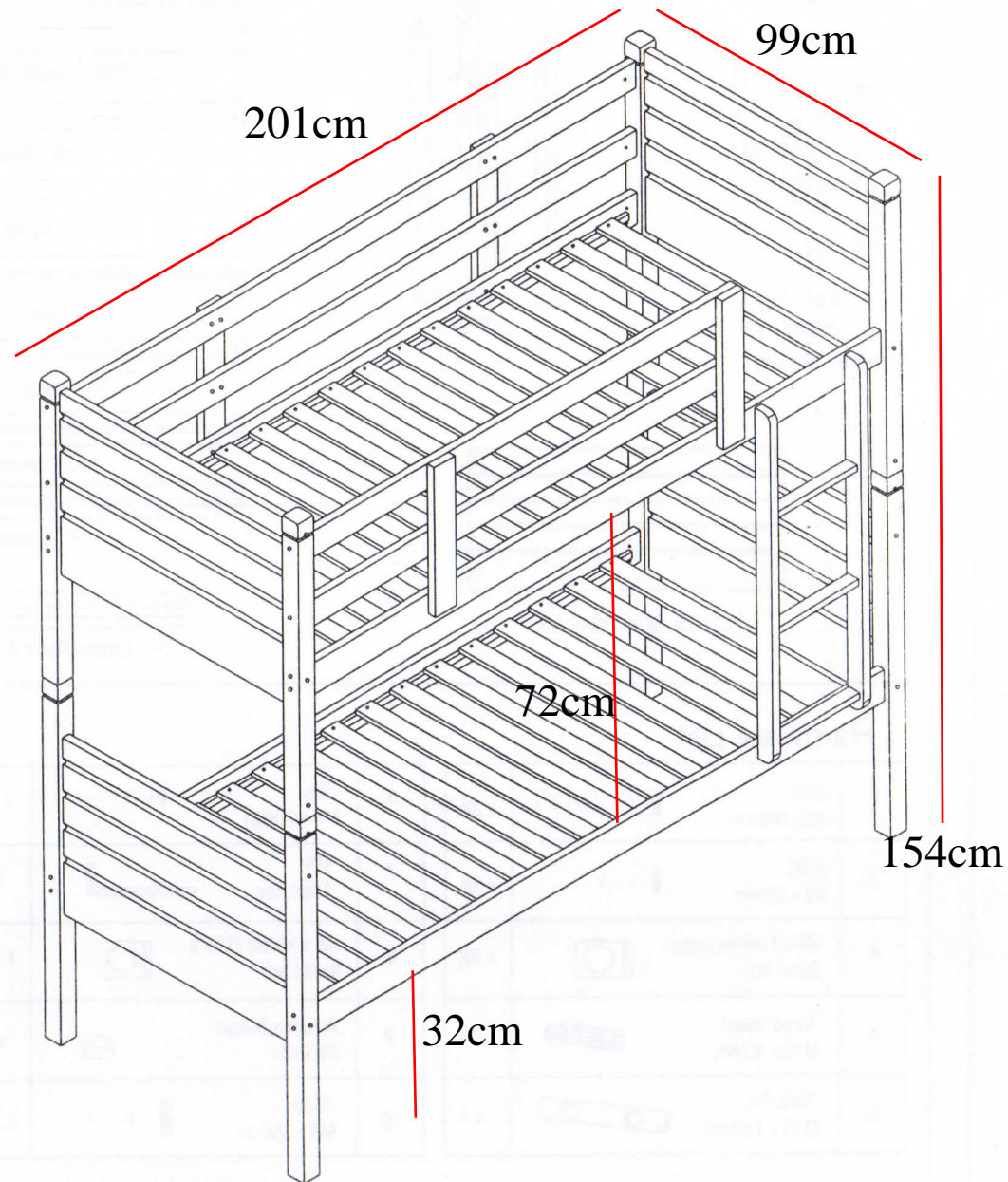
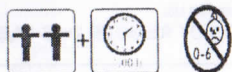
WARNING: Do not use the bunk bed/high bed if any structural part is broken or missing and always follow the manufacturer's instructions.

The largest size of mattress recommended for safe use is 190cm x 90cm with maximum thickness of (6 inch).

Frequent ventilation of the room is necessary to ensure that humidity is kept low and to prevent mould forming in and around the bed.

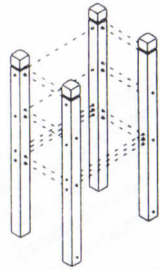
We strongly recommend regular checks on all assembly fastenings to ensure they are properly tightened.

This bunk complies with BS EN 747-1:2012+A1:2015

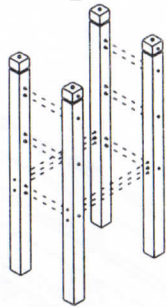


Assembly Instructions Bedford Bunk Bed

Part in Box 1

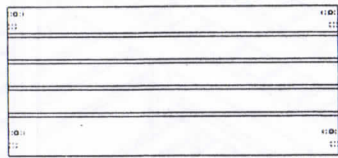


(A) Upper Post (Shorter) x 4



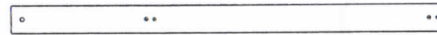
(B) Lower Post (Longer) x 4

Part in Box 2

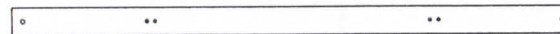


(C) Up.&Lw. Panel x 4

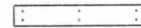
Part in Box 3



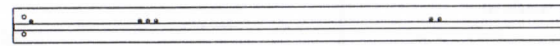
(D) Front Upper Guardrail x 2



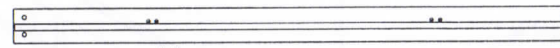
(E) Back Upper Guardrail x 2



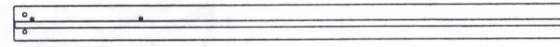
(F) Guardrail Spindle x 4



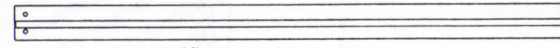
(G) Upper Side Rail x 1



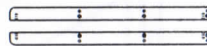
(H) Upper Side Rail x 1



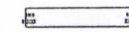
(I) Lower Side Rail x 1



(J) Lower Side Rail x 1

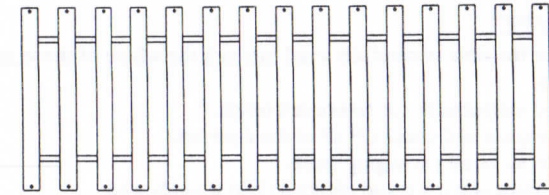


(K) Ladder Rail x 2



(L) Ladder Steps x 3

Part in Box 4



(M) Set of Slats x 2

Hardware List

1.	JCBC M6 x 90mm		x 38
2.	JCBC M6 x 35mm		x 30
3.	M6 x 15mm (Long) Barrel Nut		x 22
4.	Wood Dowel M10 x 40mm		x 24
5.	Metal Pin M10 x 100mm		x 4
6.	CSK M4 x 25mm		x 44
7.	M4 Allen Key		x 1
8.	M6 x 13mm (Short) Barrel Nut		x 16
9.	Wooden Button 11.5mm		x 4
10.	JCBB M8 x 35mm		x 28

11.	M5 Allen Key		x 1
-----	-----------------	--	-----




Tool required for assembly :

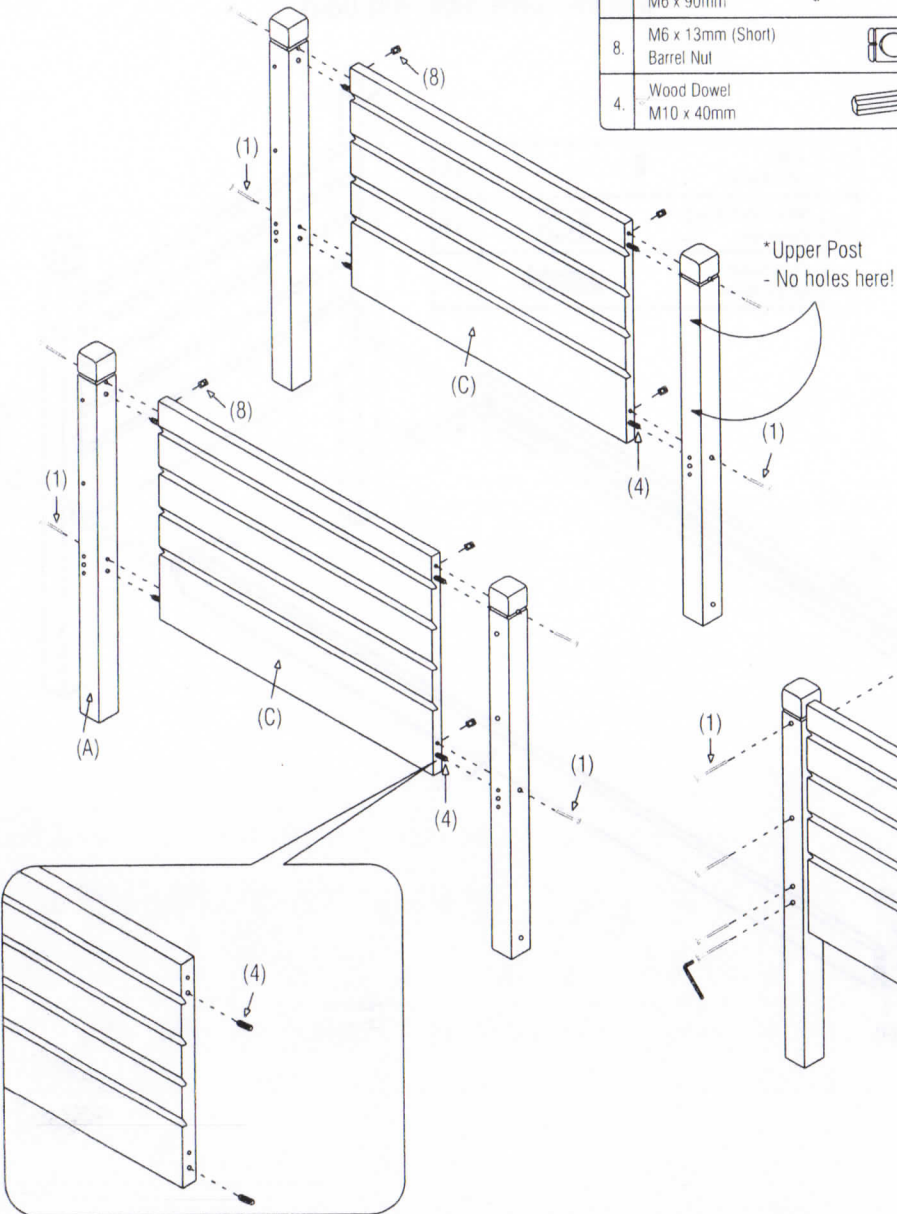
- * Allen Key (supplied)
- * Phillips Screwdriver (not supplied)

EN		WARNING !!
<p>To help prevent serious or fatal injuries from entrapment or falls :</p> <ul style="list-style-type: none"> - The top of the Mattress shall be at least 160mm below the upper edge of the safety barriers. The maximum thickness of the mattress shall be 6". - Only use mattress that is 1905mm (75") long and 915mm (36") wide on upper a shall be at least 160mm (6-1/4) below the edge of the safety barriers. - Follow written instructions with this bed. <p>STRANGULATION HAZARD - Never attach or hang item to any part of the bunk bed that are not designed for use with the bed; for example, but not limited to, hook, belt, and jump ropes.</p> <ul style="list-style-type: none"> - This upper bed is not suitable for children under six years. - EN 747 : 2012 + A1 : 2015 - Made in Malaysia - Importer by Mattressman Ltd. <p style="text-align: center;">DO NOT REMOVE THIS LABEL</p>		




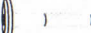
Assembly Instructions Bedford Bunk Bed

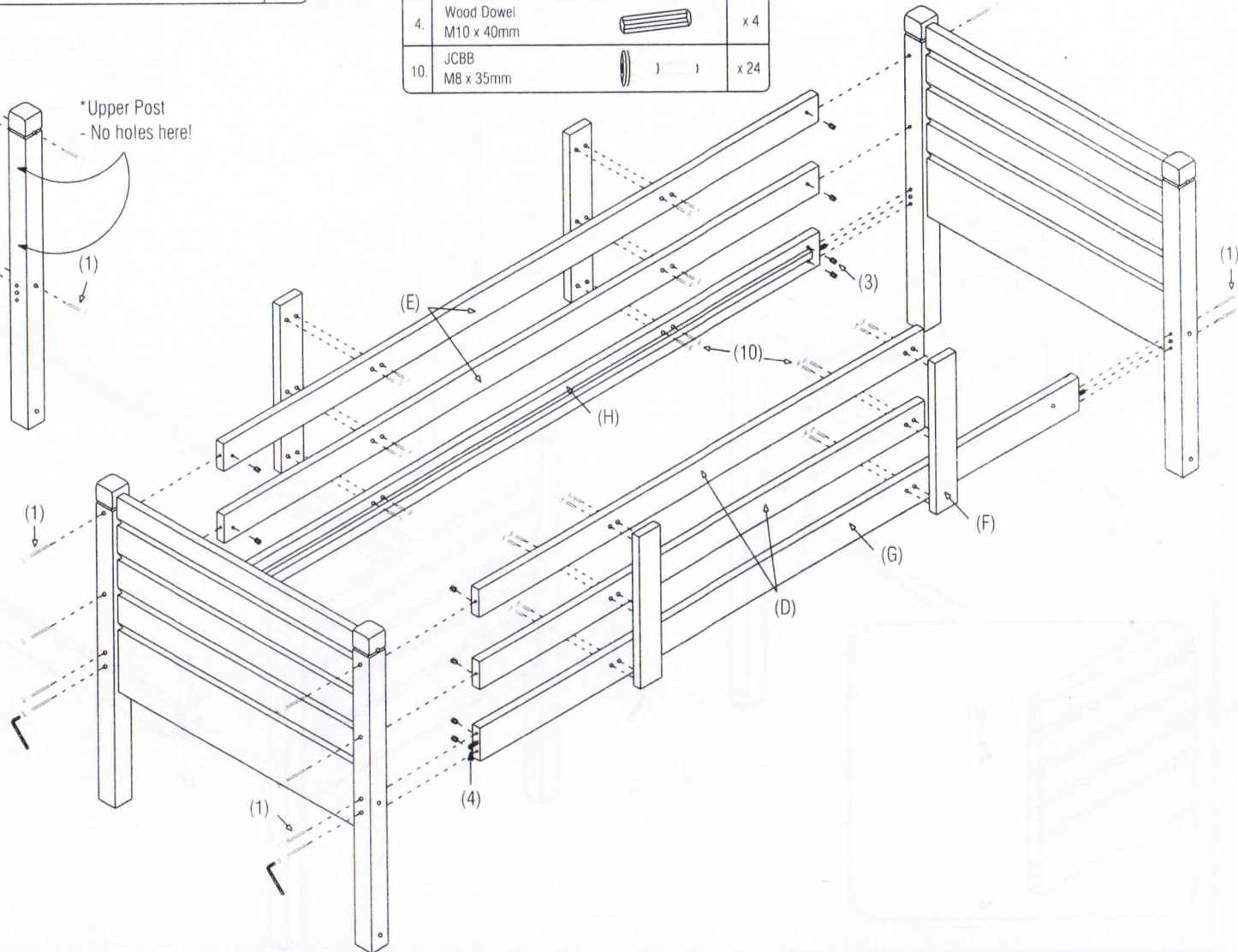
1 Assemble the Upper Bunk End Frames.

1	JCBC M6 x 90mm		x 8
8	M6 x 13mm (Short) Barrel Nut		x 8
4	Wood Dowel M10 x 40mm		x 8



2 Assemble the Upper Bunk End Frames with the Side Rails (G&H) and Front & Back Guard Rails (D&E).




1	JCBC M6 x 90mm		x 14
3	M6 x 15mm (Long) Barrel Nut		x 14
4	Wood Dowel M10 x 40mm		x 4
10	JCBB M8 x 35mm		x 24






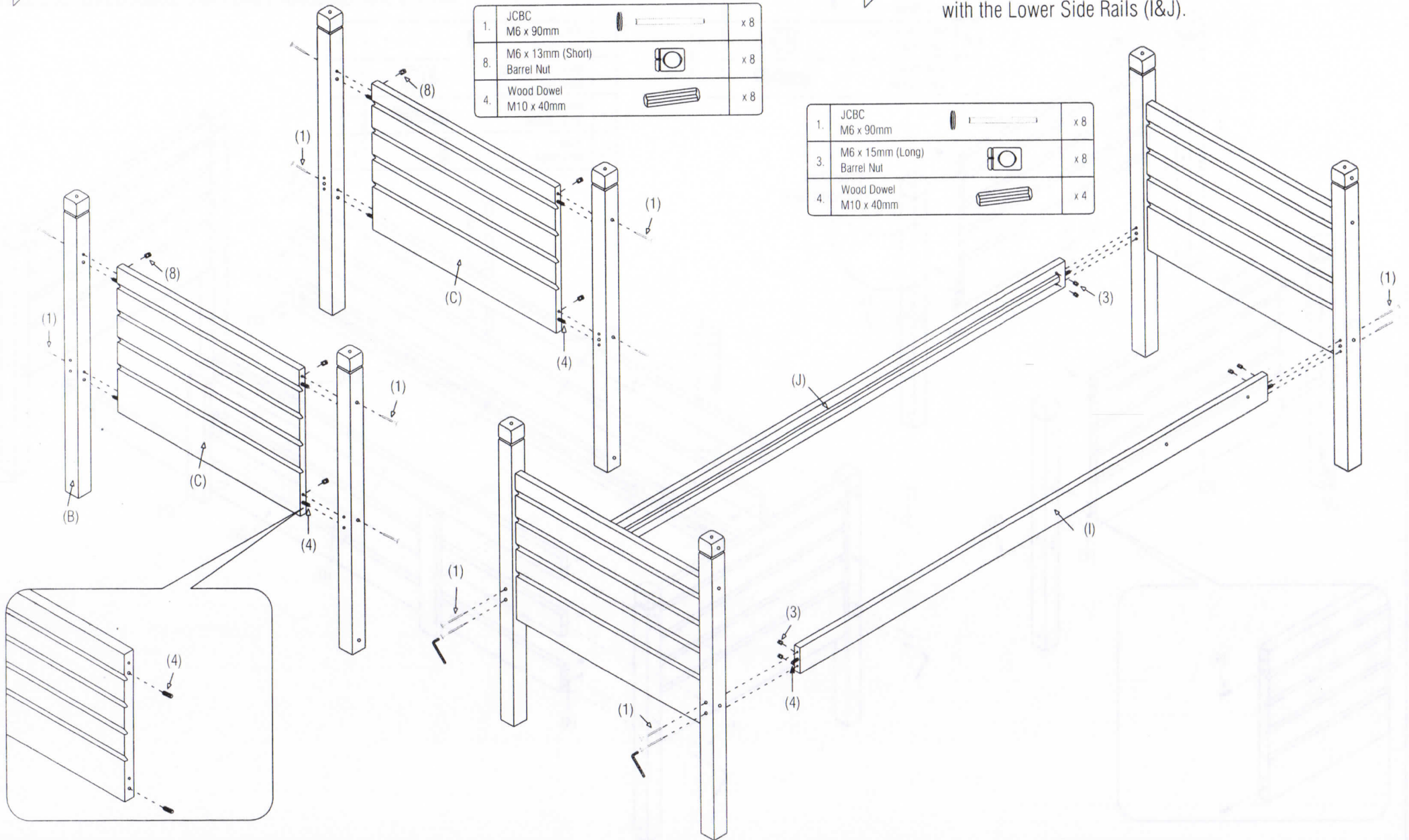
Assembly Instructions Bedford Bunk Bed

3 Assemble the Lower Bunk End Frames.

4 Assemble the Lower Bunk End Frames with the Lower Side Rails (I&J).

1.	JCBC M6 x 90mm		x 8
8.	M6 x 13mm (Short) Barrel Nut		x 8
4.	Wood Dowel M10 x 40mm		x 8



1.	JCBC M6 x 90mm		x 8
3.	M6 x 15mm (Long) Barrel Nut		x 8
4.	Wood Dowel M10 x 40mm		x 4

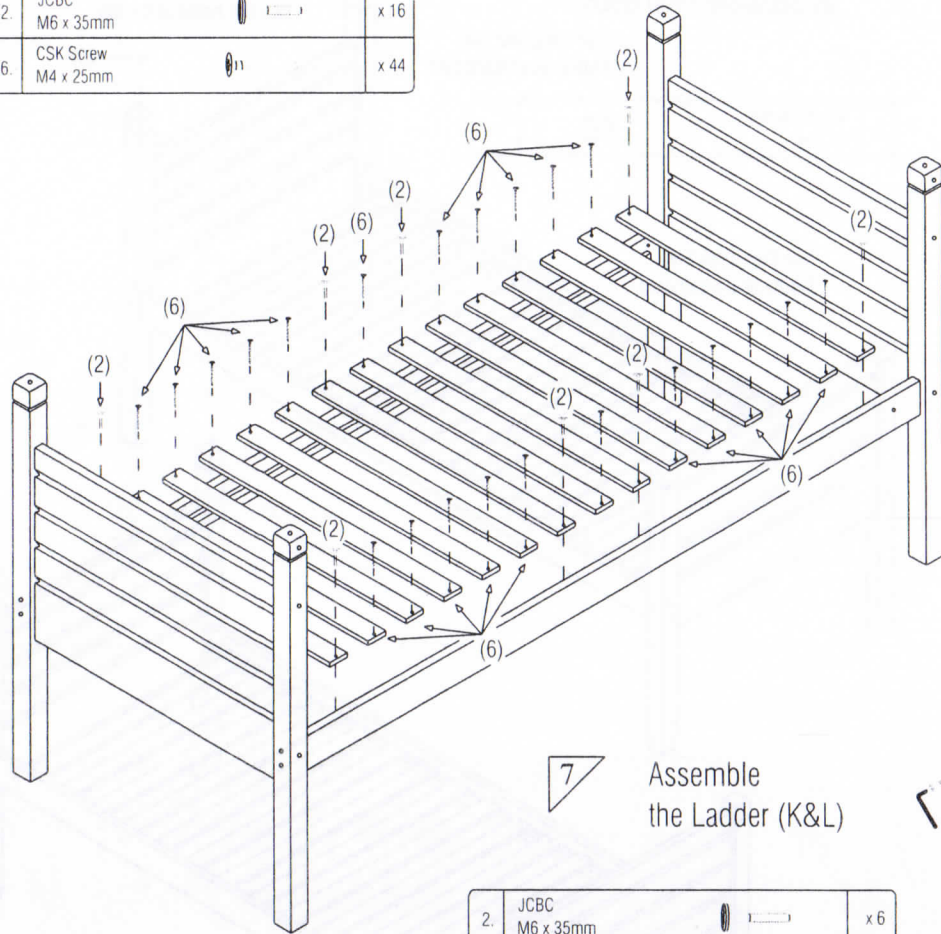


Assembly Instructions



Bedford Bunk Bed

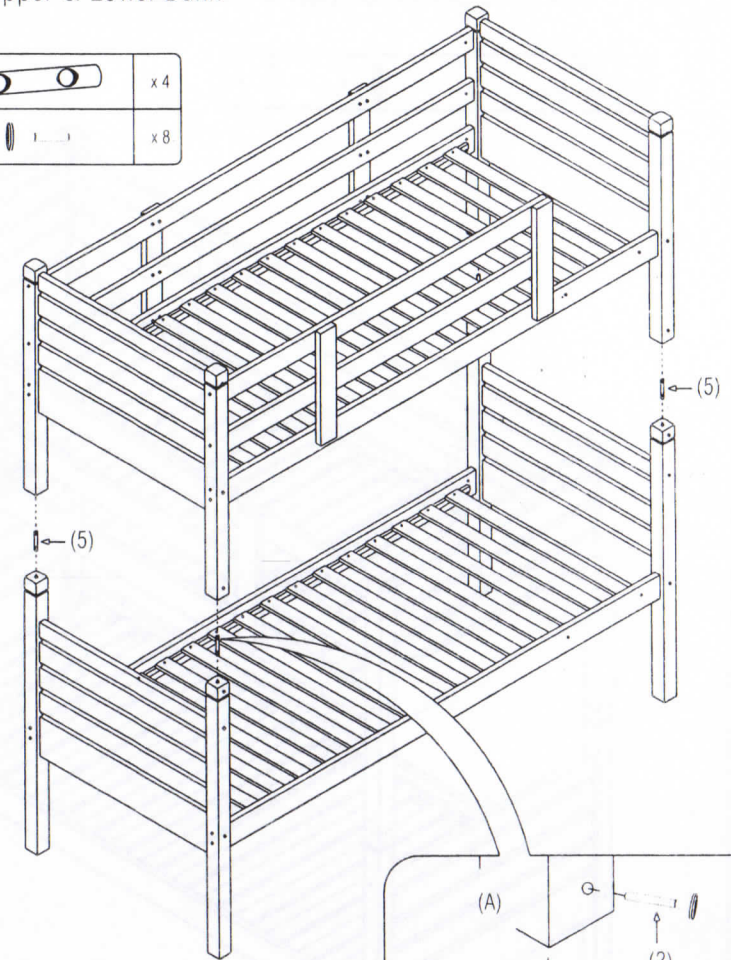
5 Assemble the Slats (M) to the Upper & Lower Bunk

2.	JCBC M6 x 35mm		x 16
6.	CSK Screw M4 x 25mm		x 44




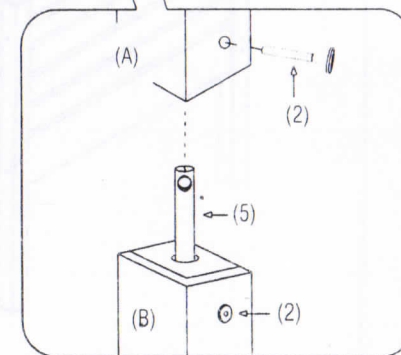
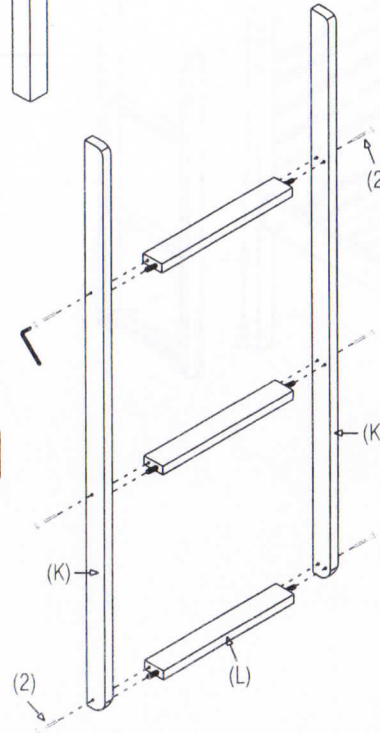
6 Join the Upper & Lower Bunk

5.	Metal Pin M10 x 100mm		x 4
2.	JCBC M6 x 35mm		x 8



7 Assemble the Ladder (K&L)

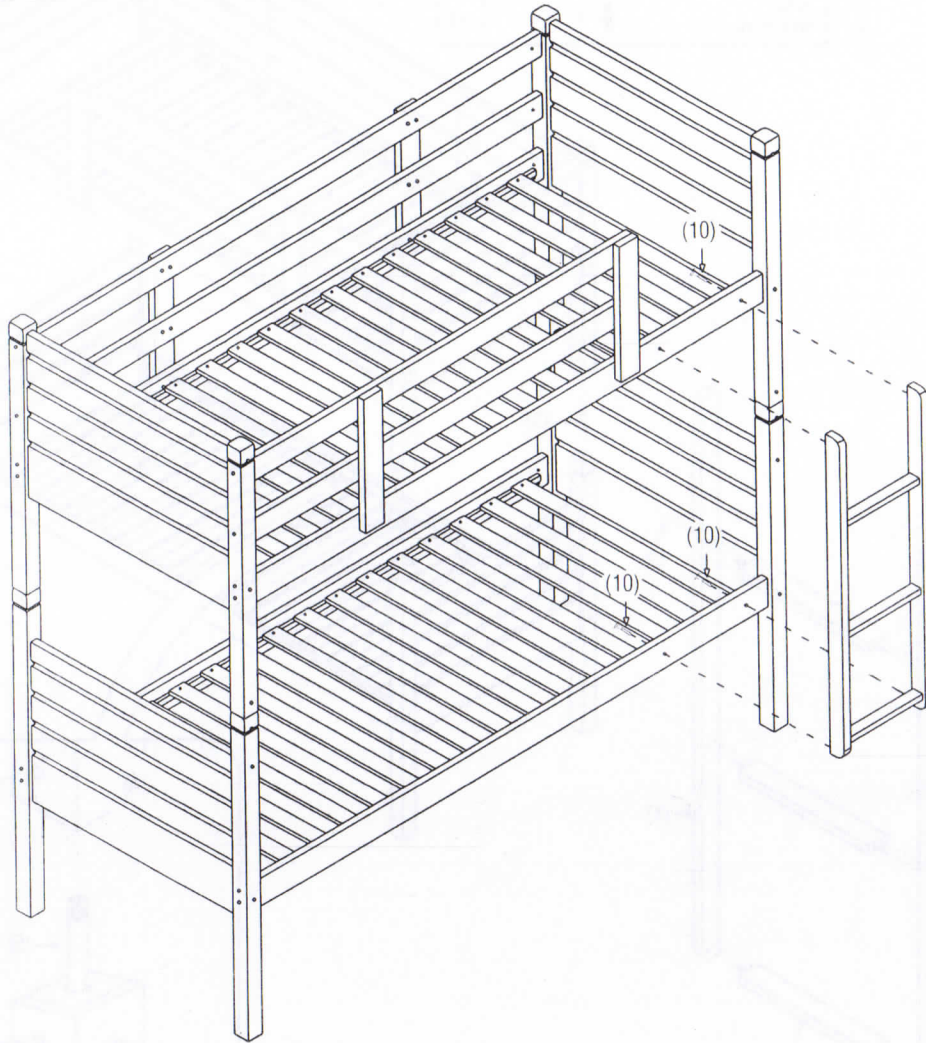
2.	JCBC M6 x 35mm		x 6
----	-------------------	---	-----



Assembly Instructions

Bedford Bunk Bed

8 Attach the Ladder to Upper & Lower Bunk.



9 Optional use of bunk bed as separate Twin Beds

