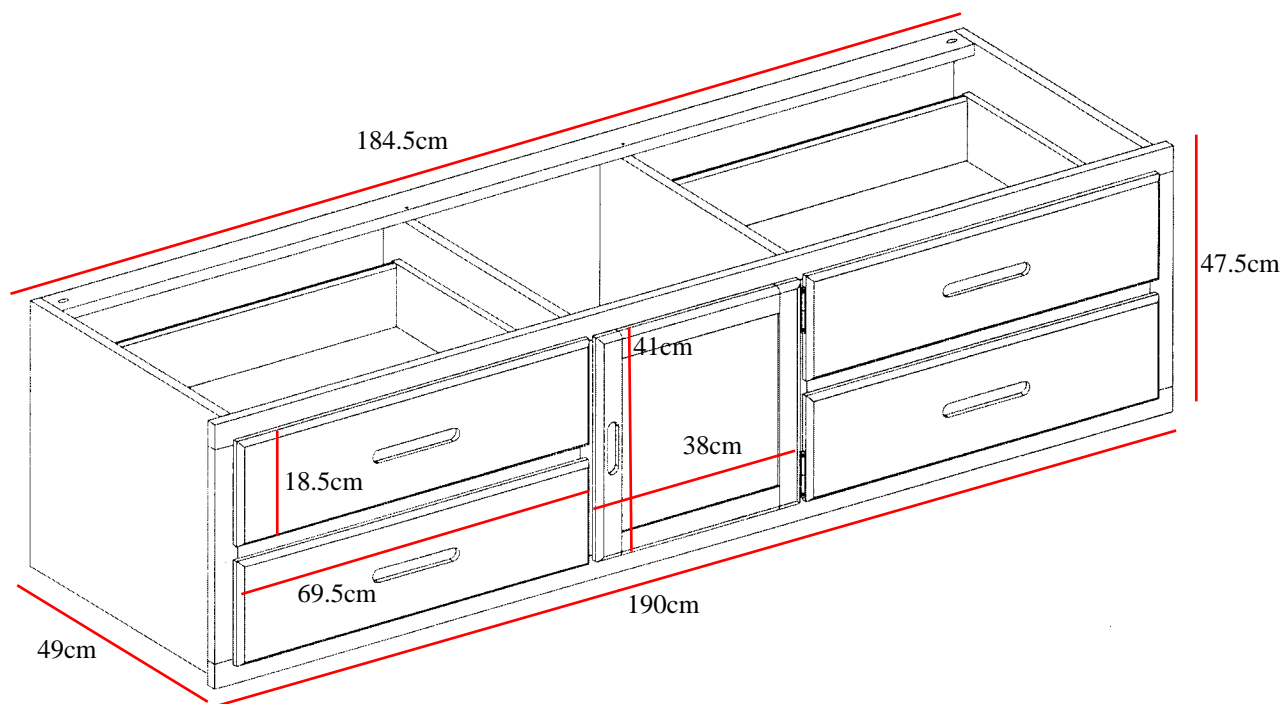
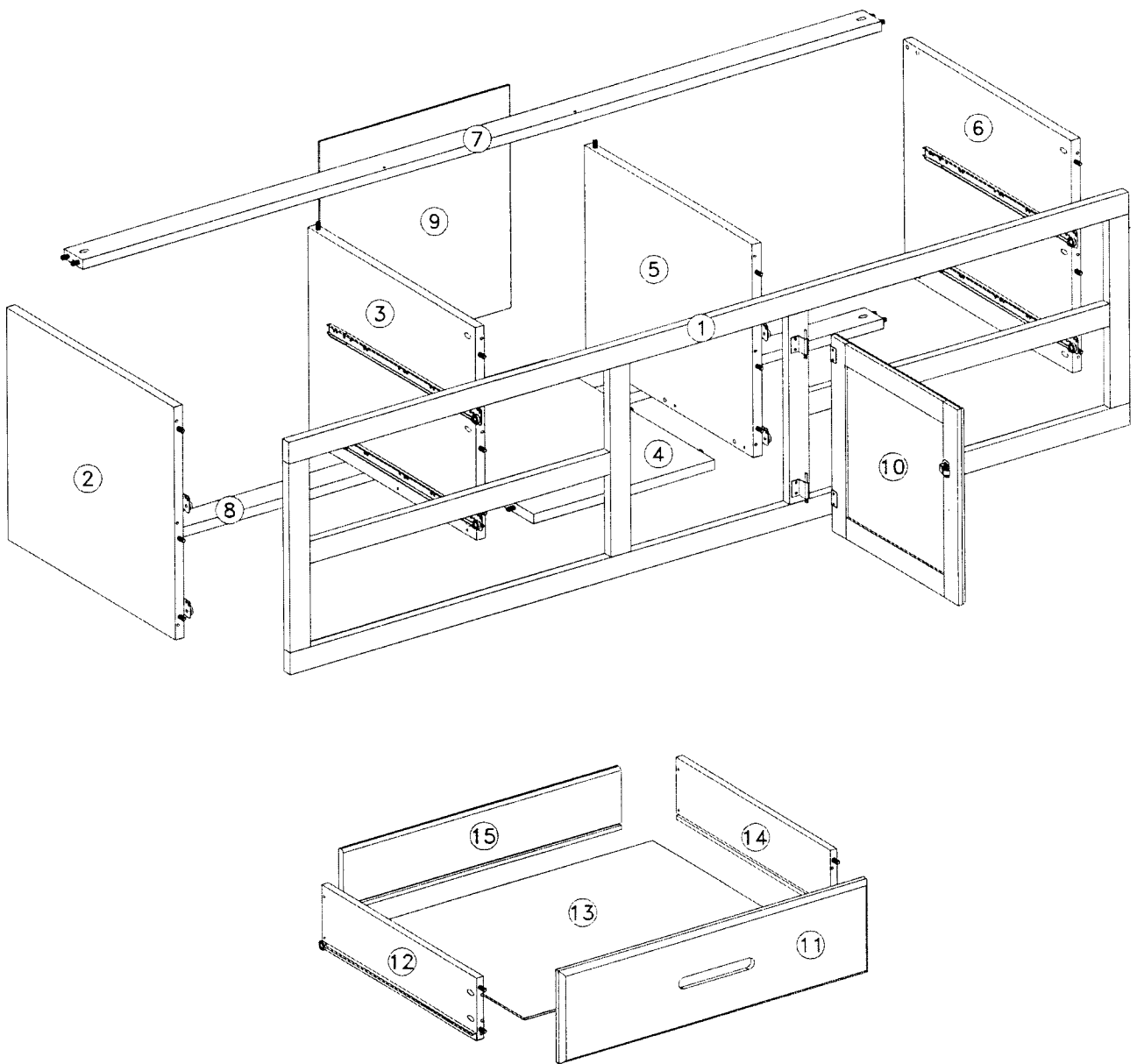


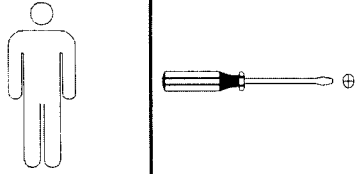
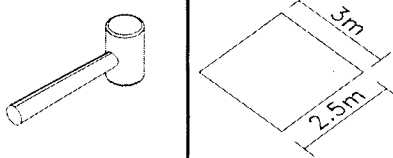
CAPTAINS STORAGE UNIT


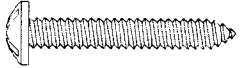

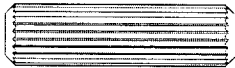
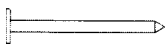
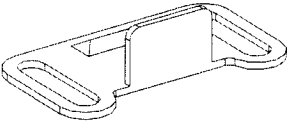
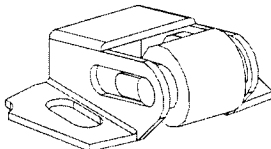
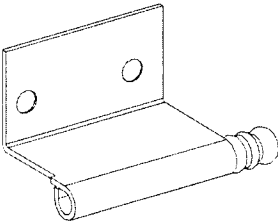
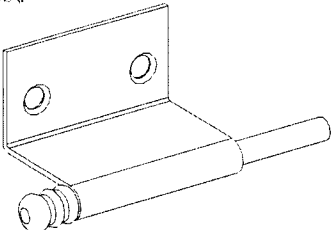


- Please assemble on a clean soft surface to avoid damage.
- Do not use power tools to assemble this product.

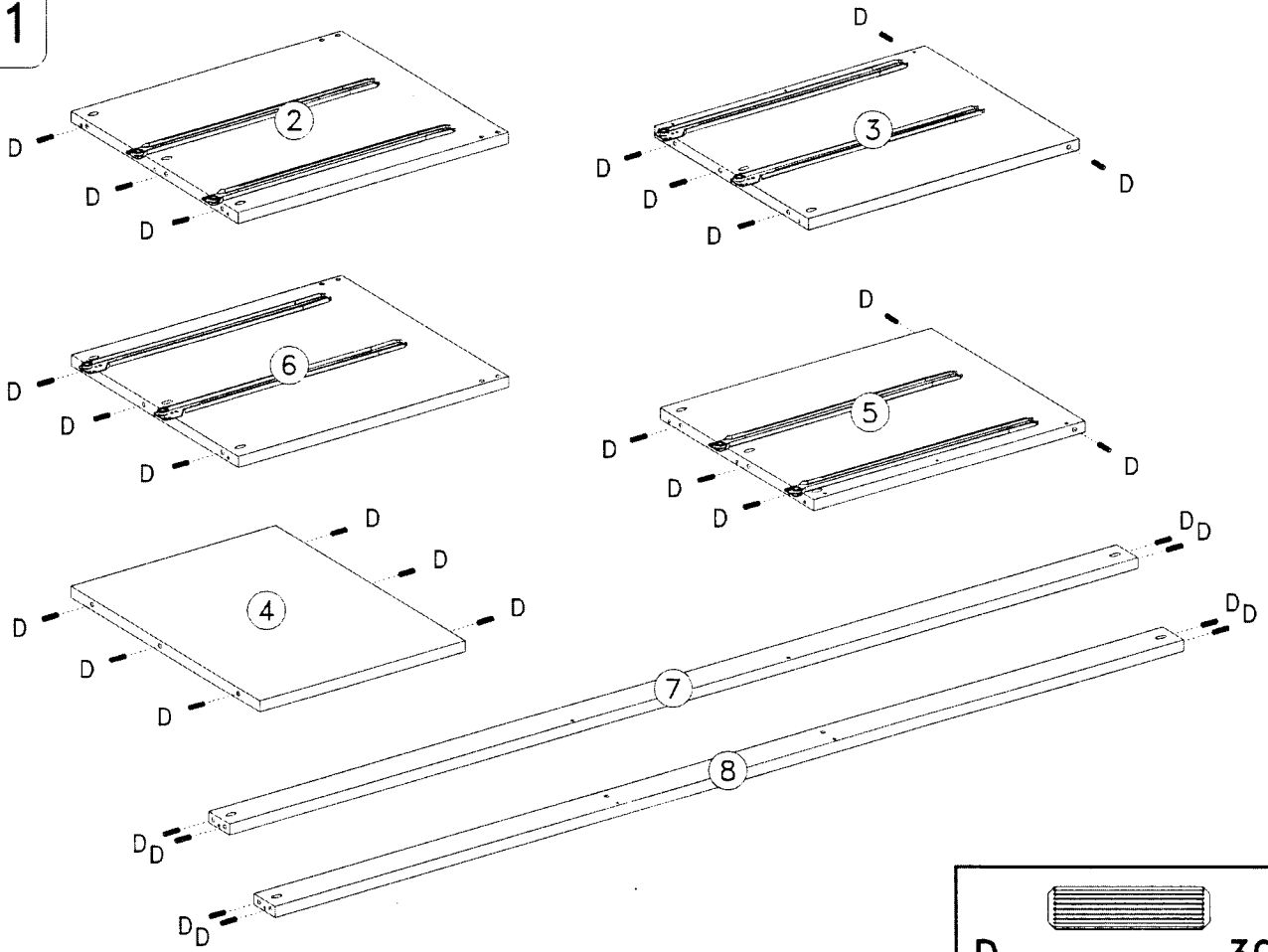
- Please check contents and read instructions before commencing assembly.
- Assemble this article following the enclosed instructions carefully.
- Please take care to avoid damaging panels during assembly.



| ITEM | DESCRIPTION | QTY |  |  |
|------|--------------------|-----|---|---|
| 1 | FRONT FRAME | 01 | | |
| 2 | LEFT PANEL | 01 | | |
| 3 | LEFT CENTRE PANEL | 01 | | |
| 4 | CENTRE BASE PANEL | 01 | | |
| 5 | RIGHT CENTRE PANEL | 01 | | |
| 6 | RIGHT PANEL | 01 | | |
| 7 | TOP BACK RAIL | 01 | | |
| 8 | BOTTOM BACK RAIL | 01 | | |
| 9 | CENTRE BACK PANEL | 01 | | |
| 10 | DOOR | 01 | | |
| 11 | DRAWER FRONT | 04 | | |
| 12 | DRAWER LEFT | 04 | | |
| 13 | DRAWER BASE | 04 | | |
| 14 | DRAWER RIGHT | 04 | | |
| 15 | DRAWER BACK | 04 | | |

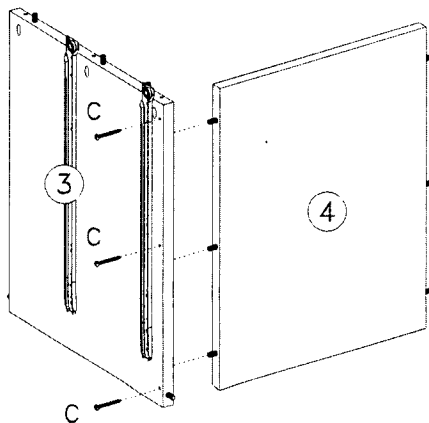
| | | | |
|---|---|----------|----|
| A |  | 3.0 x 16 | 12 |
| B |  | 4.0 x 30 | 48 |
| C |  | 4.0 x 40 | 10 |
| D |  | 8.0 x 30 | 46 |
| E |  | 8 x 8 | 08 |
| F |  | 01 | |
| G |  | 01 | |
| H |  | 02 | |
| J |  | 02 | |

01

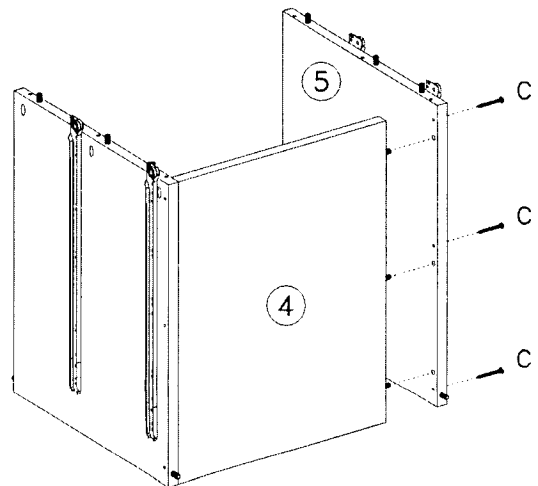


D 8.0 x 30 30x

02




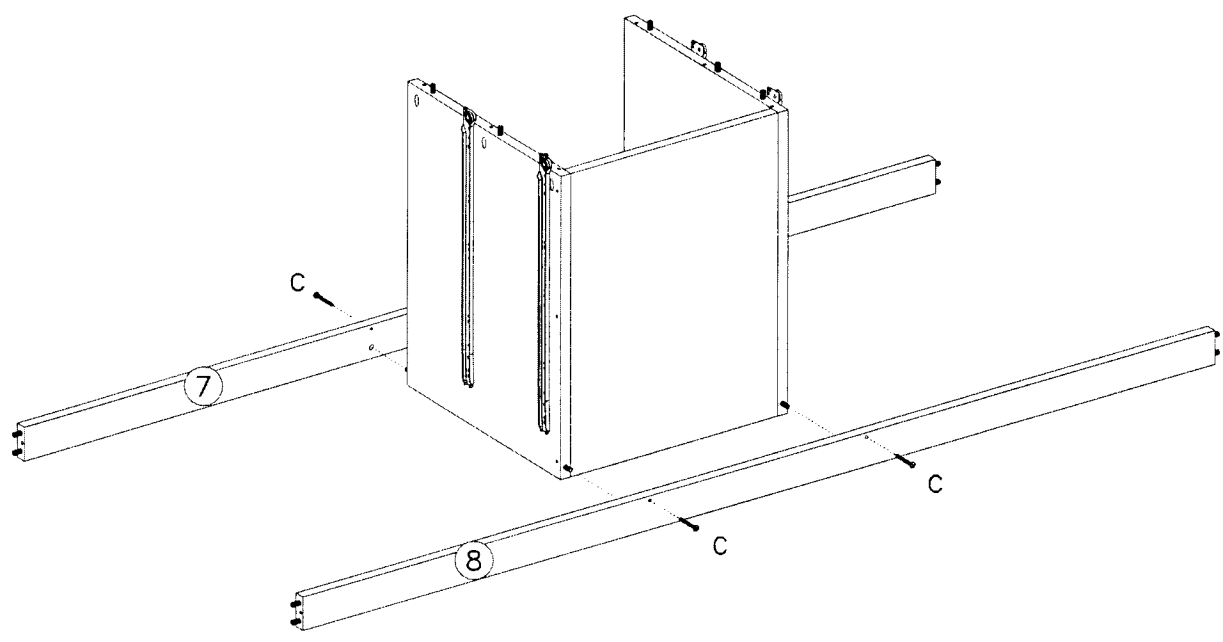
03



C 4.0 x 40 3x


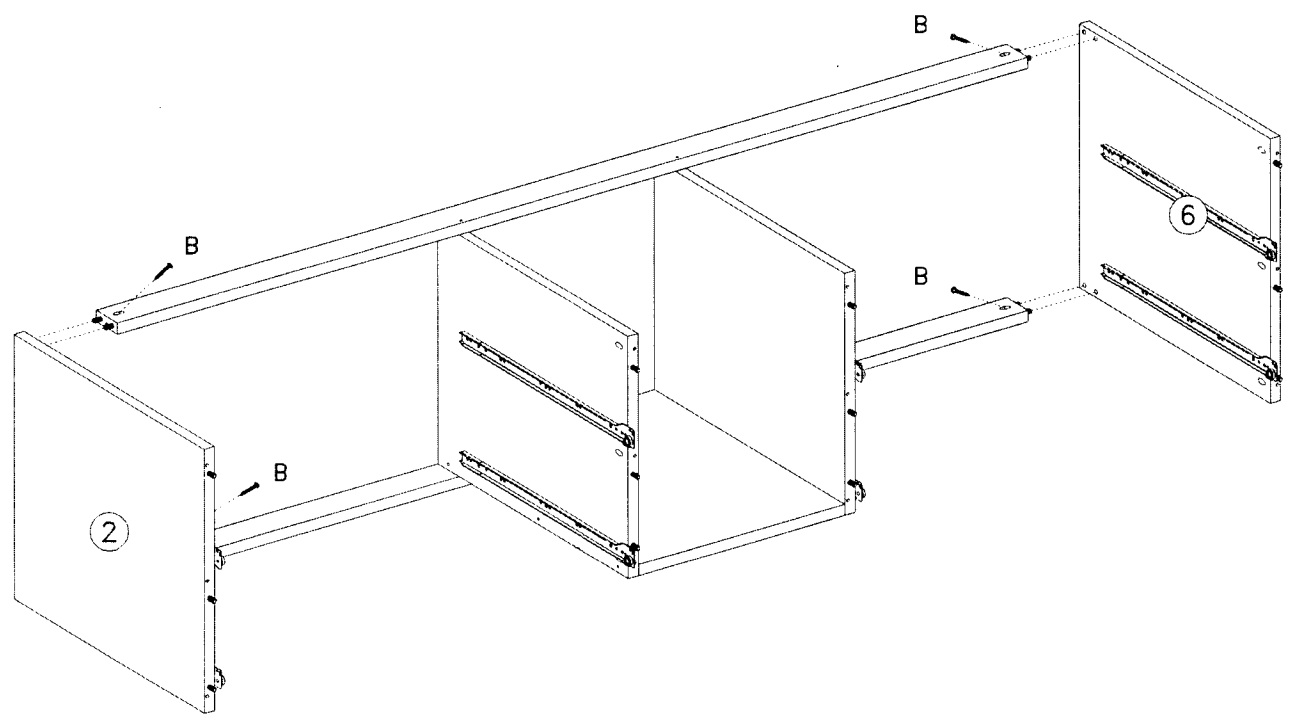
C 4.0 x 40 3x

04



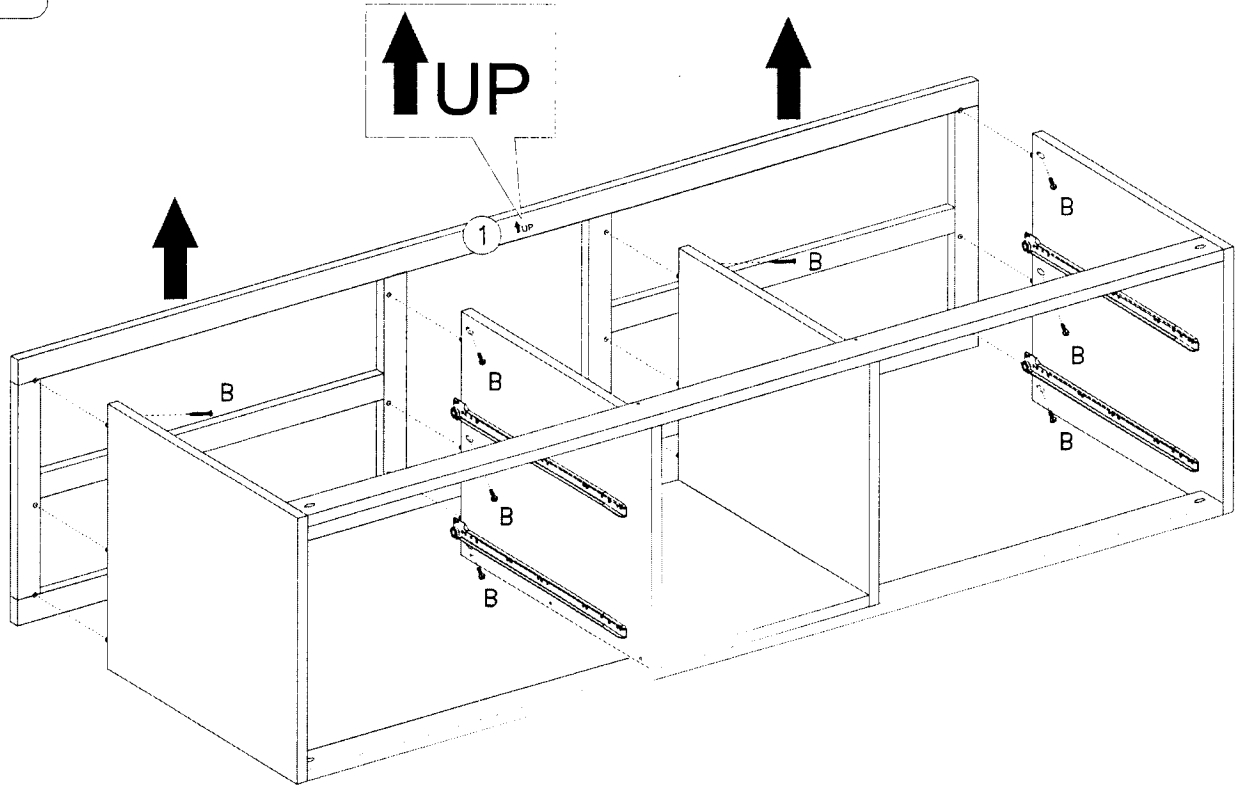
C 4.0 x 40 **4x**

05



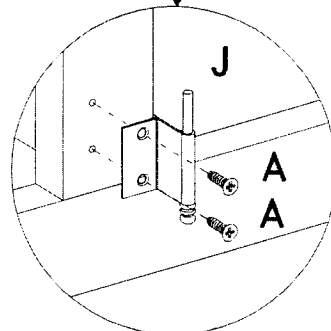
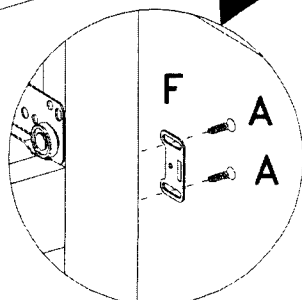
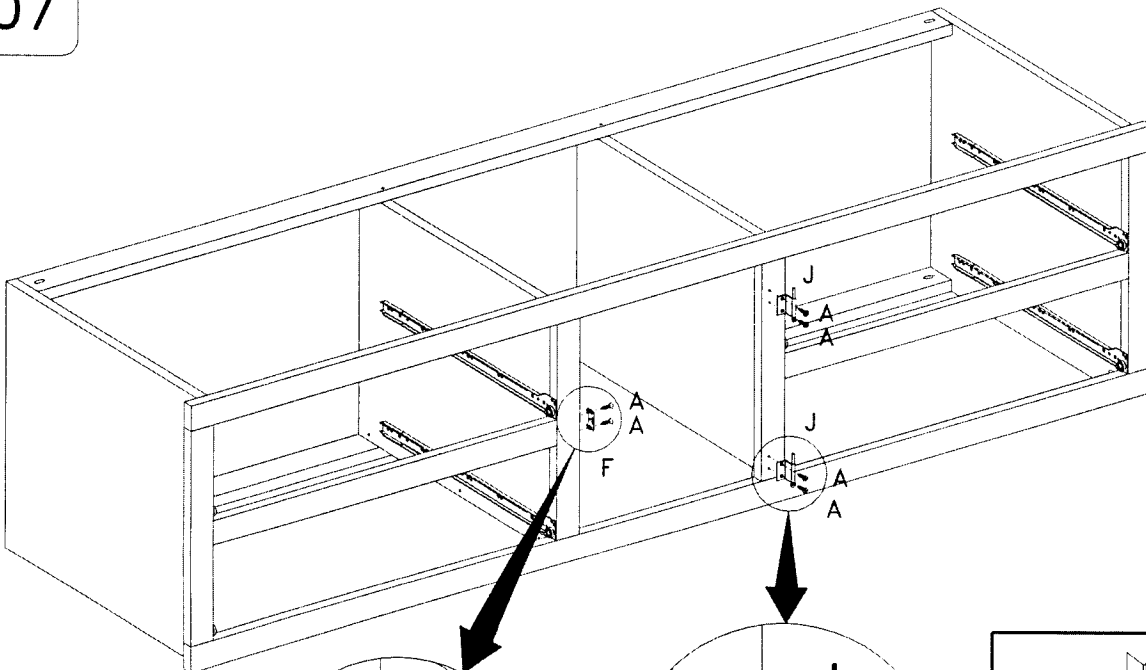
B 4.0 x 30 **4x**

06



B 4.0 x 30 12x

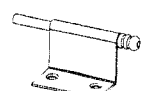
07



A 3.0 x 16 6x

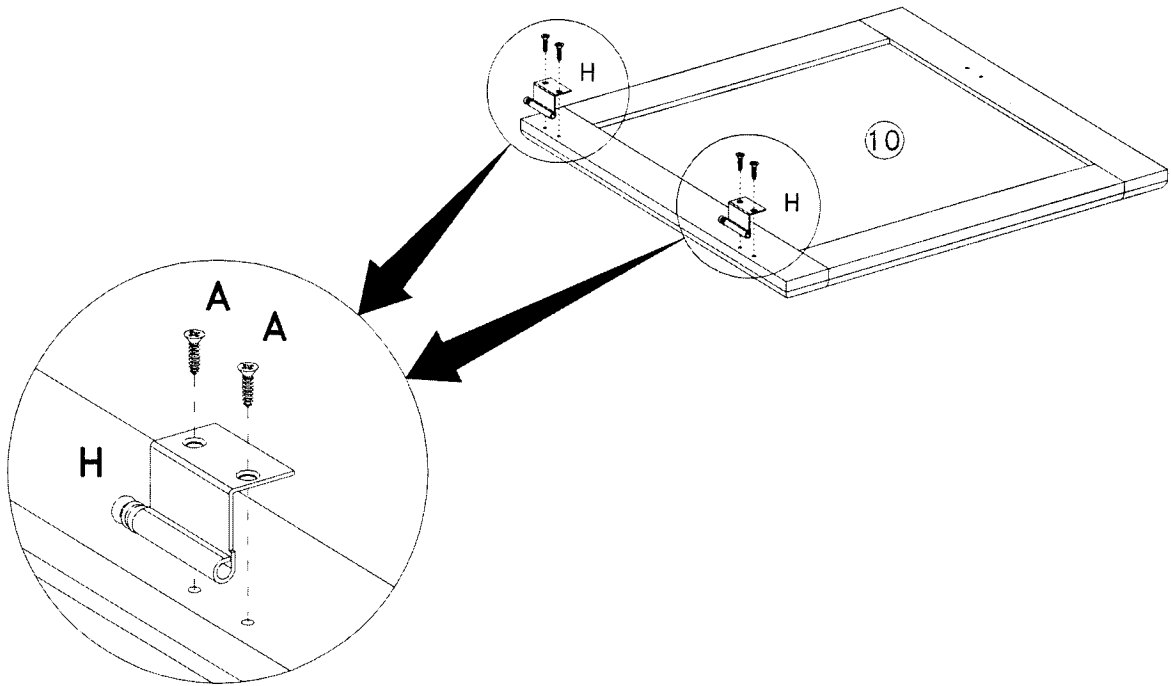



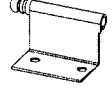
F 1x



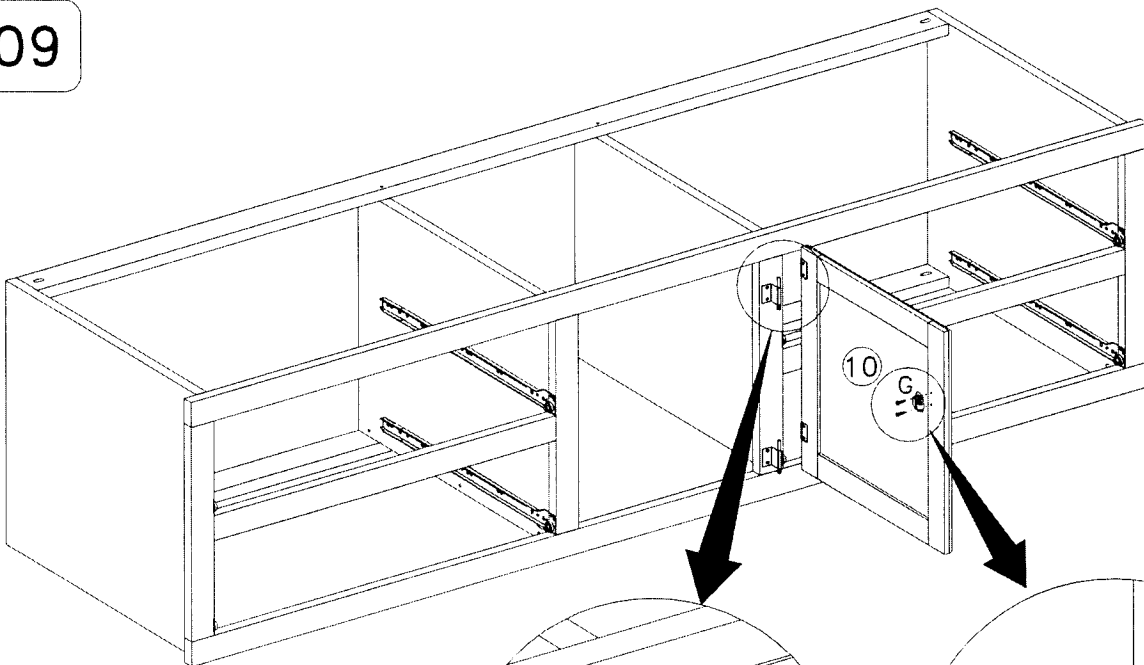
J 2x


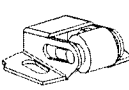
08

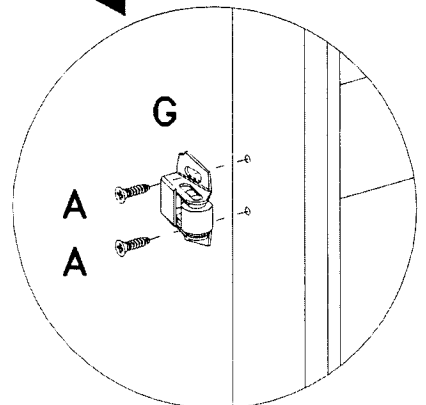
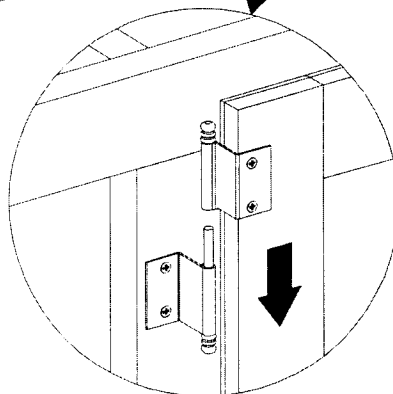


| | | | | | | |
|---|--|----------|----|---|---|----|
| A |  | 3.0 x 16 | 4x | H |  | 2x |
|---|--|----------|----|---|---|----|

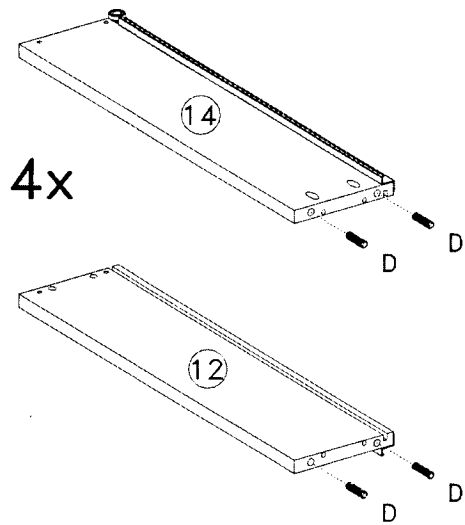
09



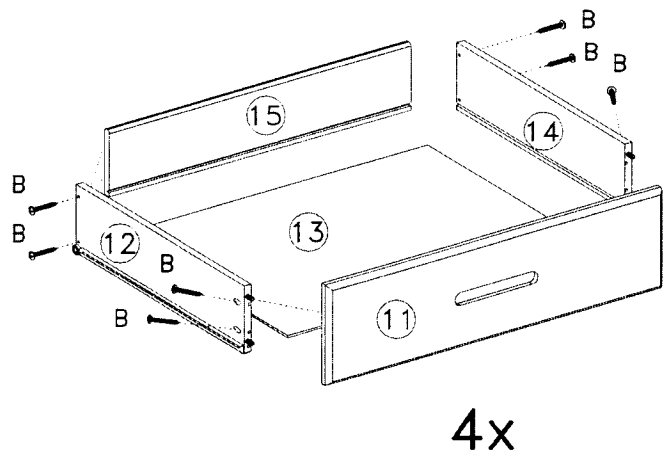
| | | | |
|---|---|----------|----|
| A |  | 3.0 x 16 | 2x |
| G |  | | 1x |



10



11

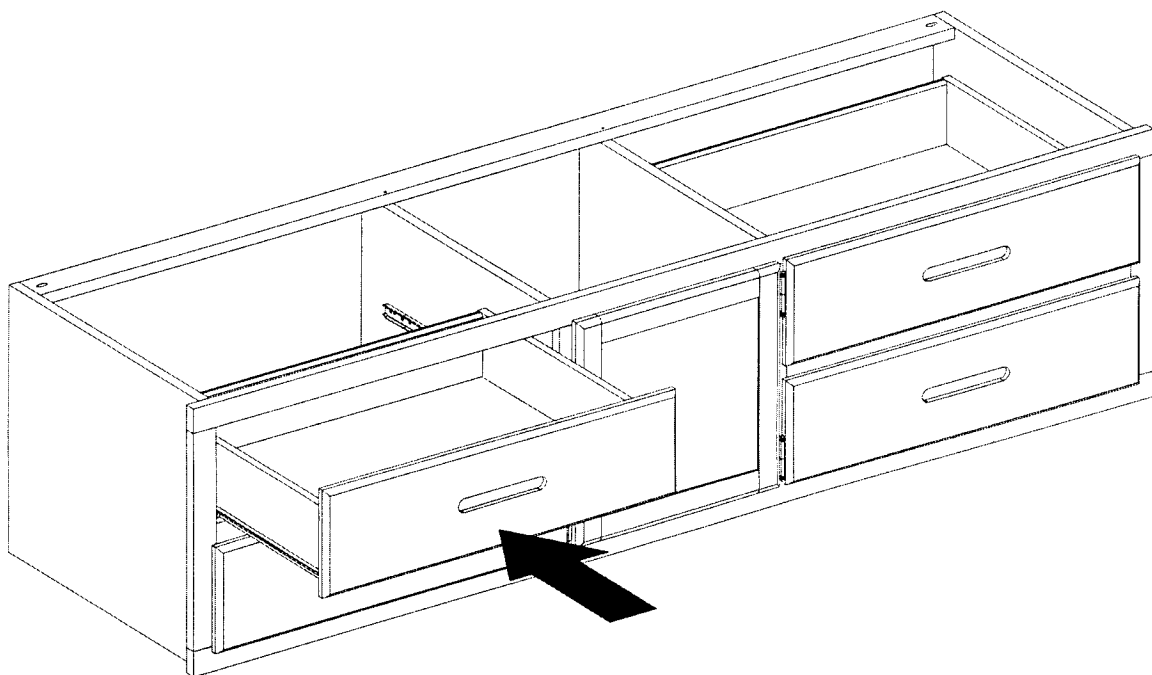


D 8.0 x 30 16x

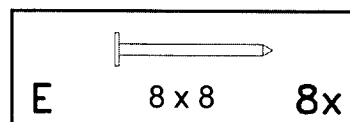
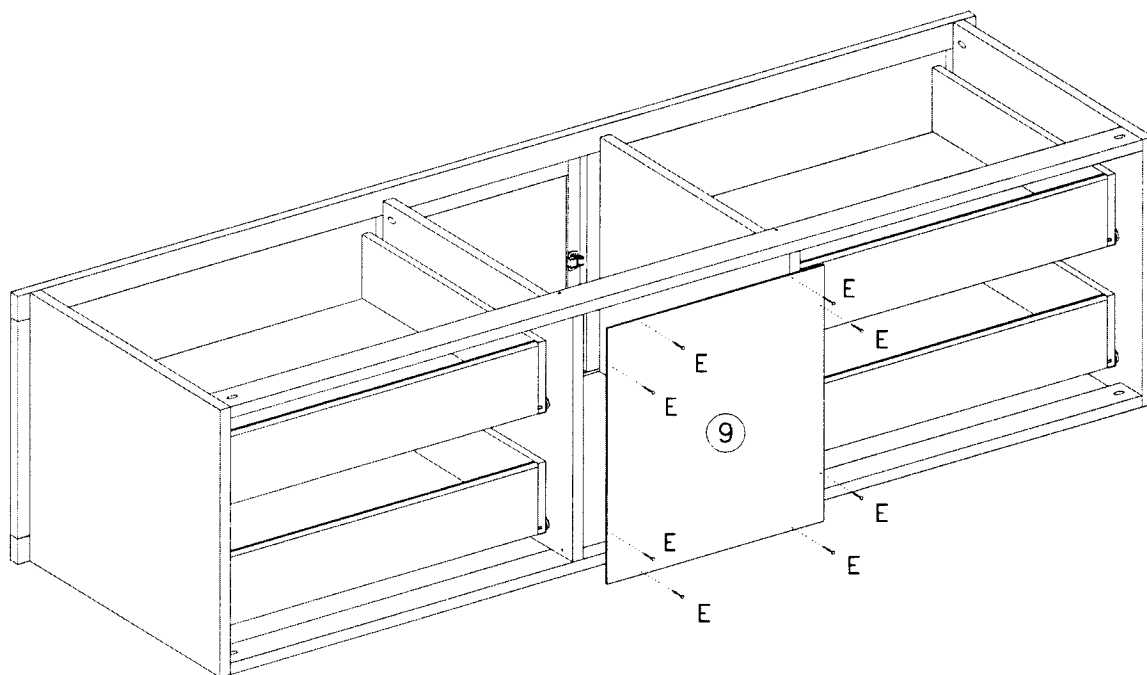


B 4.0 x 30 32x

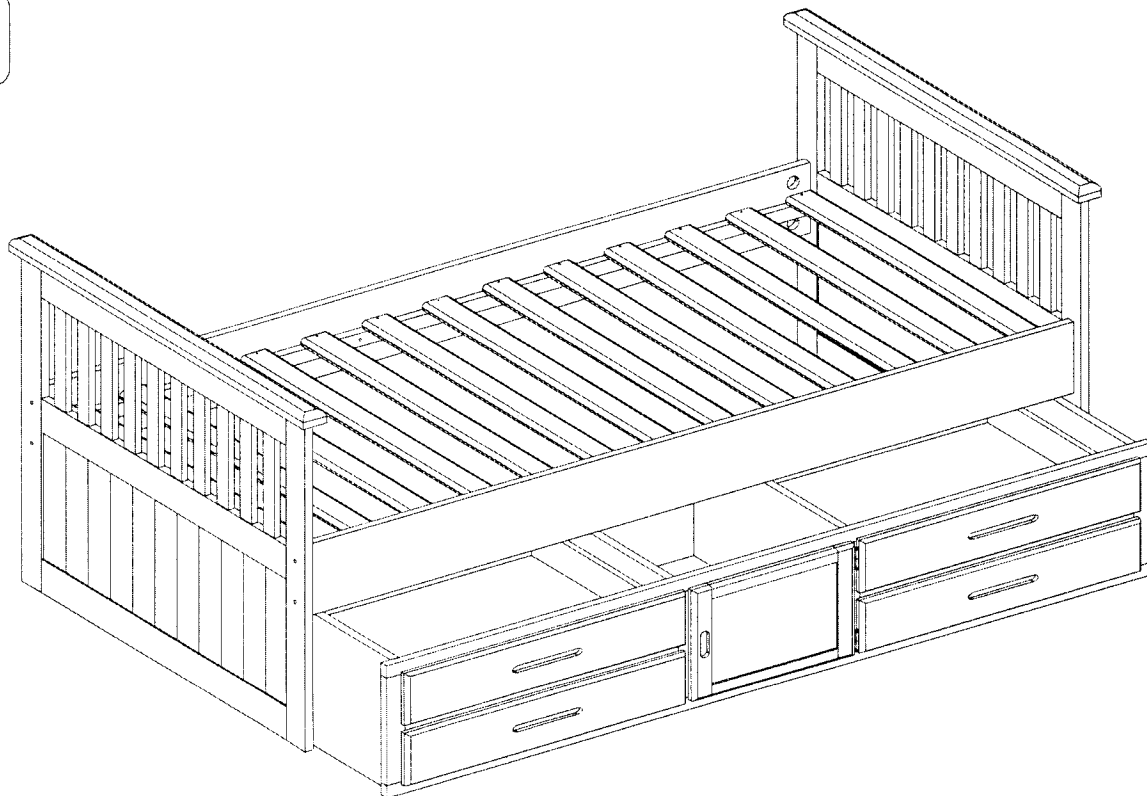
12



13

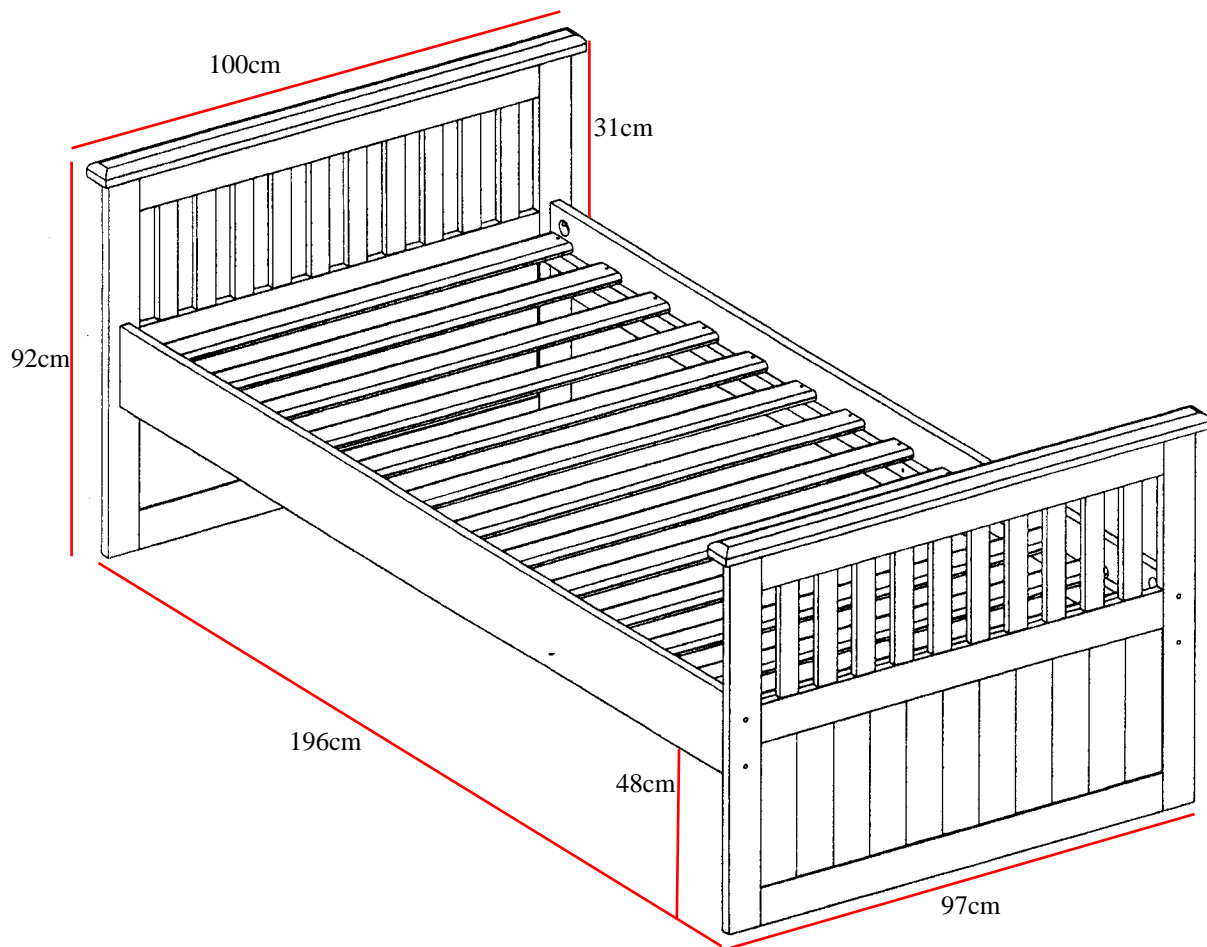


14



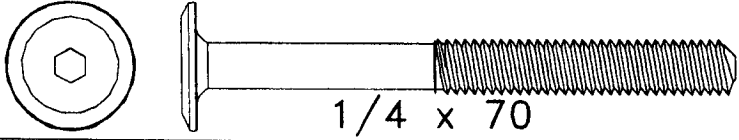
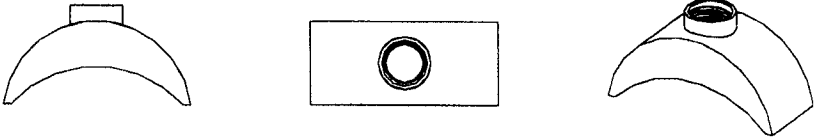

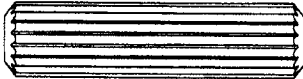


WHEN FULLY ASSEMBLED PLEASE
ENSURE ALL SCREWS ARE TIGHTENED.

PINE CAPTAINS BED

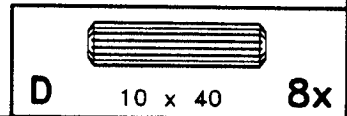
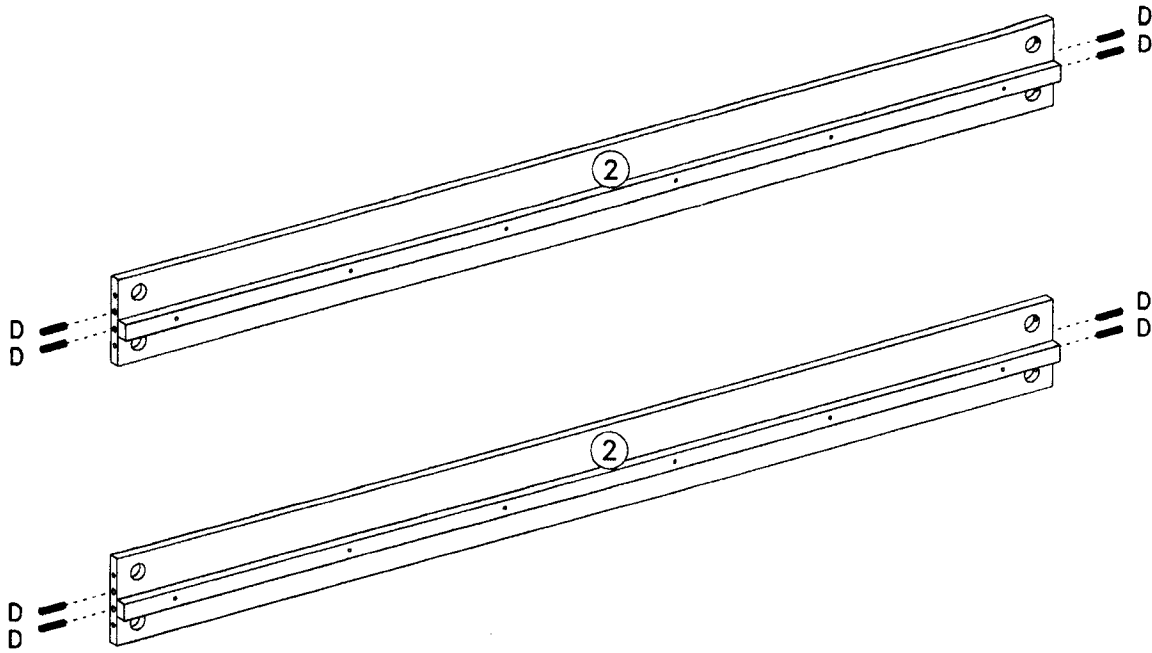


- Please assemble on a clean soft surface to avoid damage.
- Do not use power tools to assemble this product.


- Please check contents and read instructions before commencing assembly.
- Assemble this article following the enclosed instructions carefully.
- Please take care to avoid damaging panels during assembly.

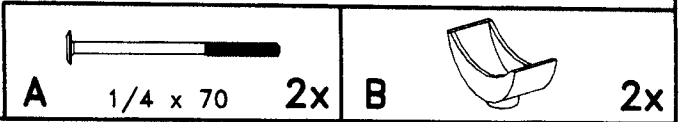
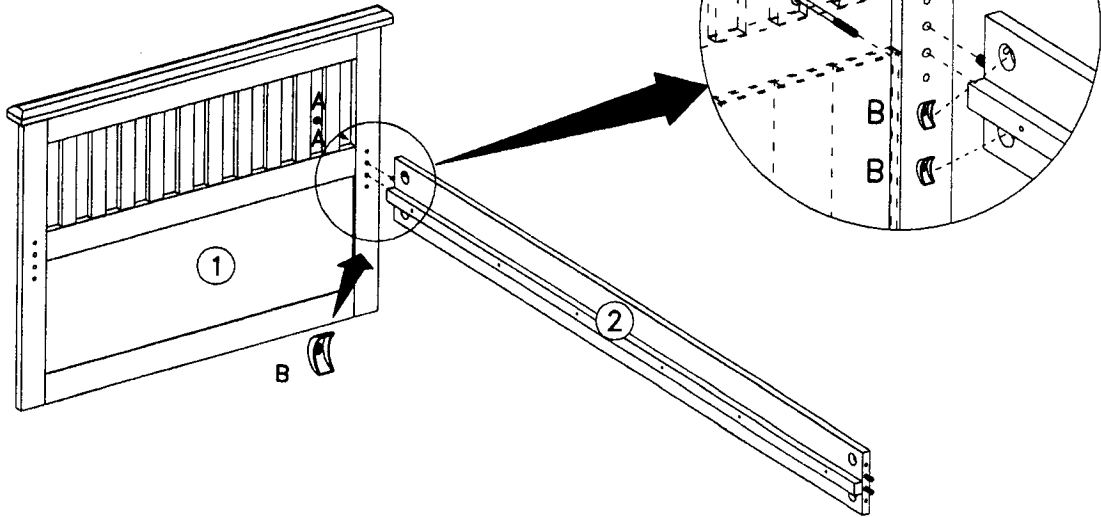
| | | |
|---|--|----|
| A |  | 08 |
| B |  | 08 |
| C |  | 26 |
| D |  | 08 |
| E |  | 01 |
| F |  | 02 |

01

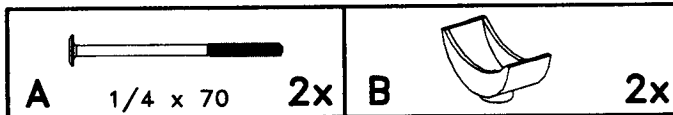
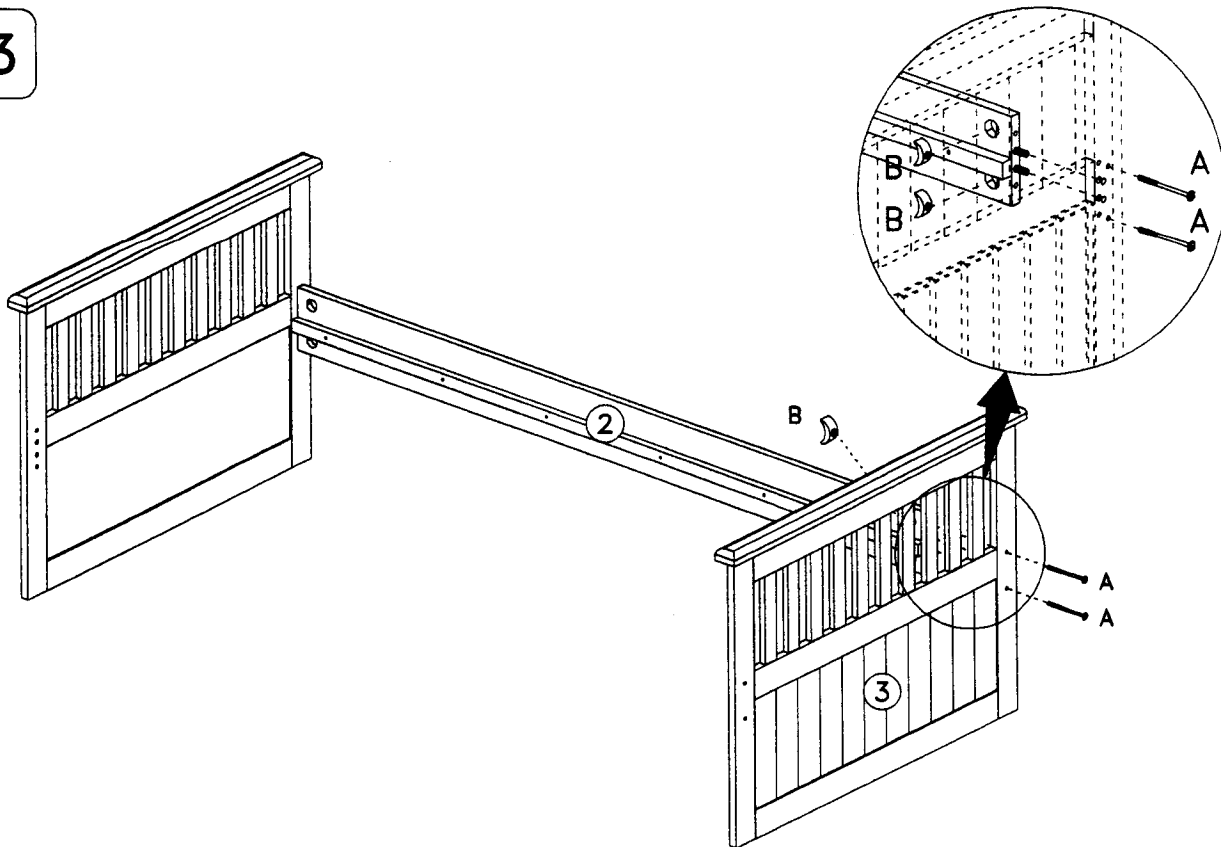


02

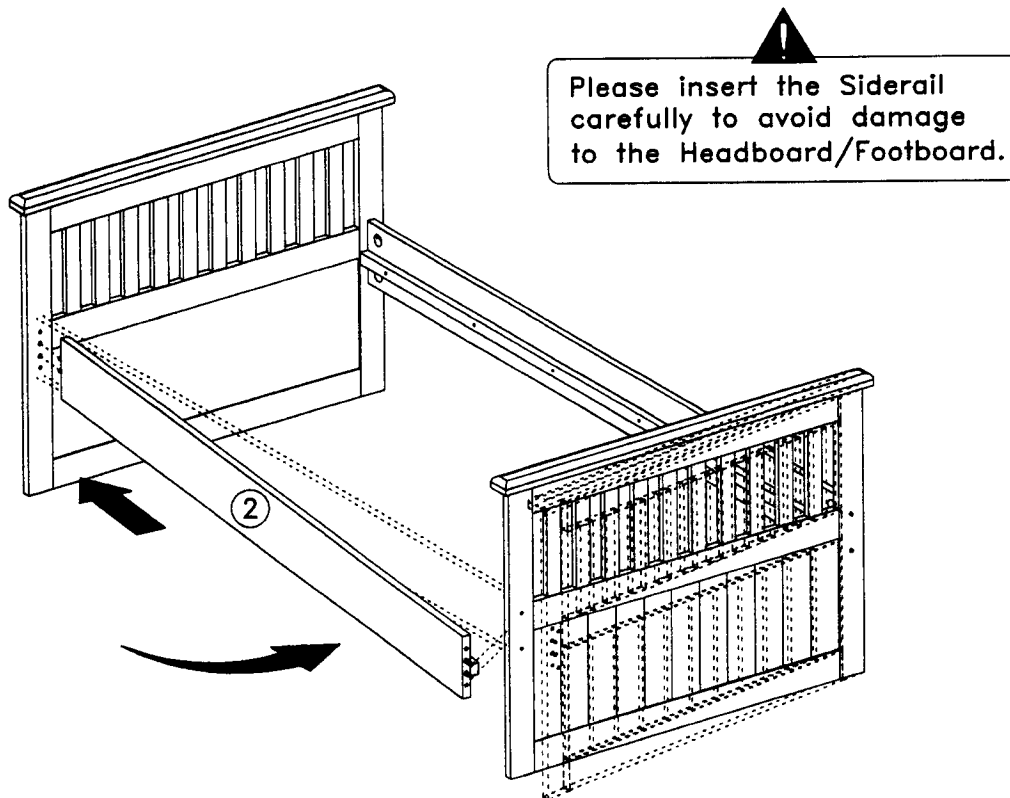

Please assemble on a soft clean surface to avoid damaging the parts.



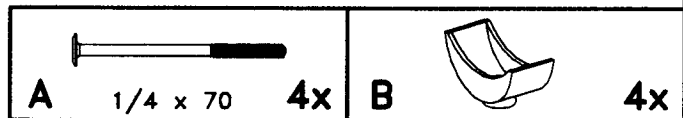
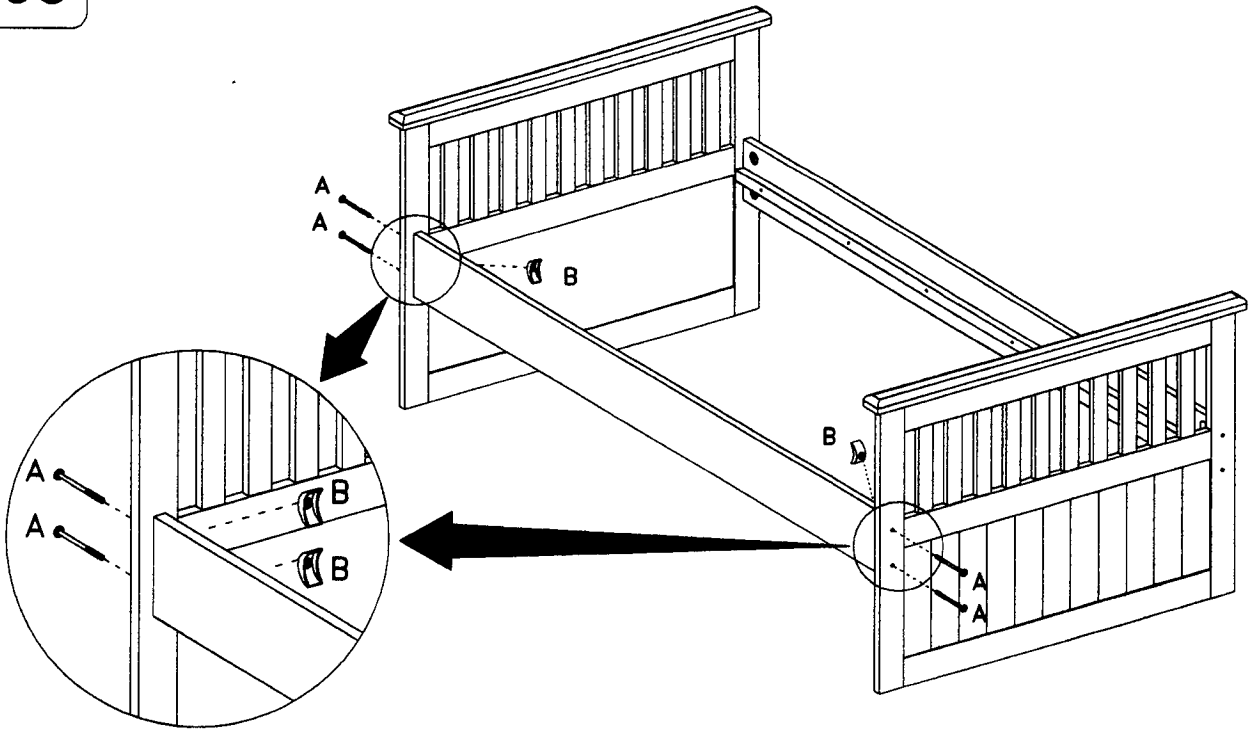
03



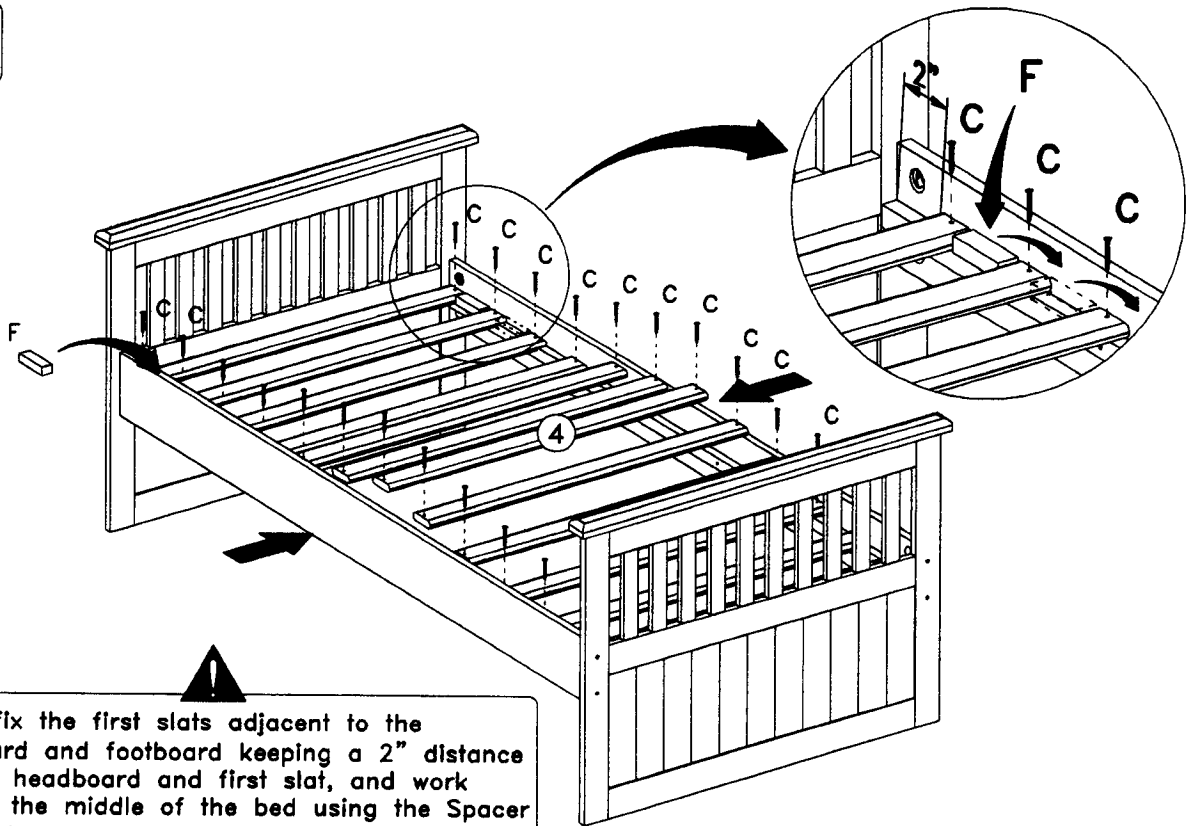
04



05



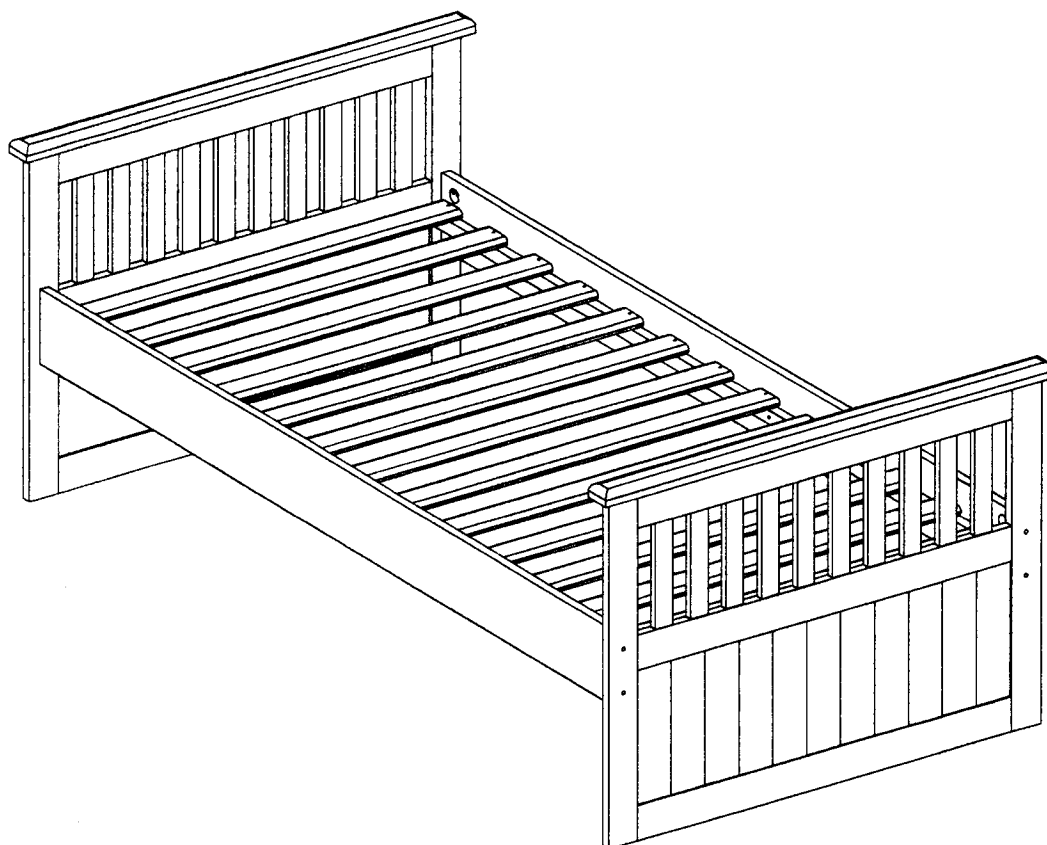
06



Please fix the first slats adjacent to the headboard and footboard keeping a 2" distance between headboard and first slat, and work towards the middle of the bed using the Spacer (F) as shown to ensure correct spacing. Fix all the slats to one siderail first then push the second siderail tight against the slats and fix. Please retain the Allen key and use periodically to check that all bolts are tight.



07



WHEN FULLY ASSEMBLED PLEASE
ENSURE ALL SCREWS ARE TIGHTENED.

