

## **IMPORTANT – READ CAREFULLY – RETAIN FOR FUTURE REFERENCE**

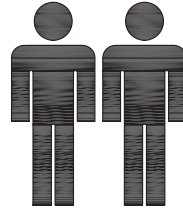
- A) **WARNING** – The upper bed of bunk beds are not suitable for children under six years old due to the risk of injury from falls.
- B) **WARNING** – Bunk beds can present a serious risk of injury from strangulation if not used correctly. Never attach or hang items to any part of the bunk bed that are not designed to be used with the bed, for example, but not limited to ropes, strings, cords, hooks, belts and bags.
- C) **WARNING** – children can become trapped between the bed and the wall, a roof pitch, the ceiling, adjoining pieces of furniture (e.g. cupboards) and the like. To avoid risk of serious injury the distance between the top safety barrier and the adjoining structure shall not exceed 75mm or shall be more than 230mm.
- D) **WARNING** – Do not use the bunk bed if any structural part is broken or missing.
- E) Always follow the manufacturer's instruction.
- F) Recommended size of mattress: upper bed: 90 x 190cm and lower bed: 90 x 190cm
- G) Maximum thickness of mattress 15cm.
- H) Periodically check and ensure that the guardrails, ladder, and other components are in their proper position, free from damage. Also, make sure the connectors are tight and secure.
- I) Ventilation of the room is necessary in order to keep the humidity low and to prevent mould in and around the bed
- J) This item meets the UK test standards

# PINE WOOD BUNK BED

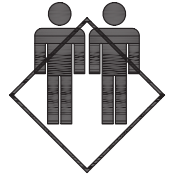
120 MIN

APPROXIMATE ASSEMBLY TIME

2 PERSON ASSEMBLY



FLOOR AREA  
3.0M x 3.0M



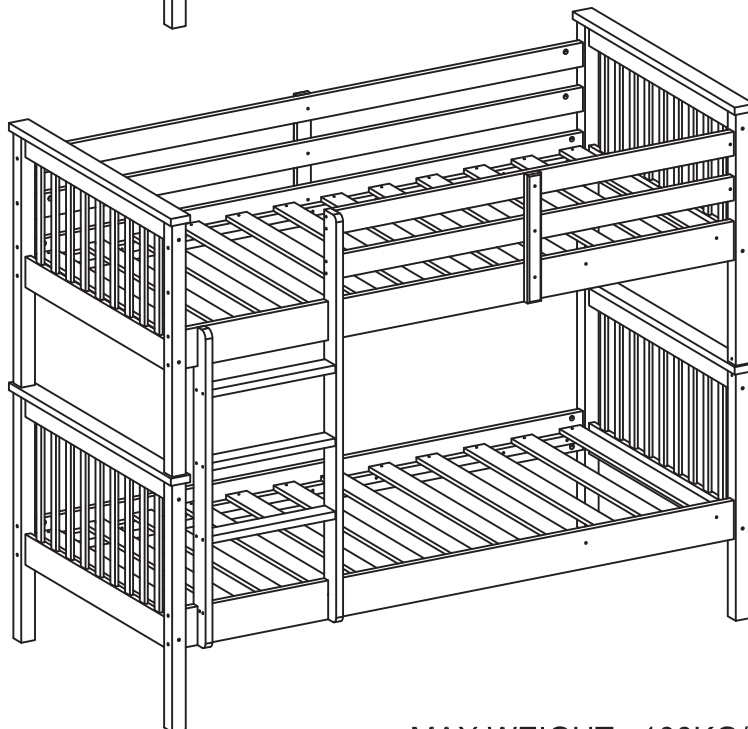
REQUIRED ASSEMBLY SPACE

## ASSEMBLED DIMENSIONS

OPTION A:



OPTION B:



MAX WEIGHT: 100KG/SINGLE LAYER

# PINE WOOD BUNK BED

## Tips before you start:

1. Please check that all parts are present before you start the assembly of your furniture.
2. For ease and speed of assembly, we recommend that before you commence each step of the assembly, that you identify all the parts required for that step.
3. For larger items, please ensure that you have sufficient space and people (as indicated on page 1) to assemble your product safely.
4. We recommend that, where possible, all items are assembled near to the area in which they will be placed in use, to avoid moving the product unnecessarily once assembled.
5. For the protection of your furniture, we recommend that the product is placed on a protected surface during assembly to prevent any damage.
6. During assembly please take care not to over-tighten any fittings, as this may damage the product.
7. Always place the product on a flat, steady and stable surface.
8. Do not stand on the product. Do not use the product as a stepladder.
9. This product is intended for indoor, household use only as it is non industrial product.
10. Due to the painted finish of this product, when first opening the carton and assembling, the smell of paint may be noticeable. If there is any smell of paint it will dissipate over a short period of time. The paint is non-toxic and contains no lead. Please contact your nearest The Warehouse store if you have any concerns.
11. This bed will be aimed for age 15 months+.
12. Mattress at least 51-5/8 in.(1310mm) in length, 27-1/4" in.(690mm) in width.
13. The maximum recommended thickness of mattress shall not be greater than 6 in.

## Care and Maintenance of your Furniture

- ☒ Please periodically check all fittings and re-tighten as necessary.
- ☒ To clean your item, please use a damp cloth and wipe clean.
- ☒ Never allow any kind of liquid to remain on your furniture. Absorption can cause wood to warp or finishes to de-laminate.
- ☒ Please do not place hot items (eg. Hot drinks) directly on to the surface.
- ☒ Please do not drag and pull your furniture.

# PINE WOOD BUNK BED



## **WARNING**

**TOP BUNKS AND ELEVATED BEDS ARE DANGEROUS AND ARE NOT RECOMMENDED FOR CHILDREN UNDER THE AGE OF 9 .**

Children should be discouraged from playing on the bunk bed.

The bunk bed should be checked periodically to ensure that the guardrail, access device and other components are maintained in the correct position and state of repair and that all connectors are tight.

The upper bunk must be more than 2 m from any ceiling fan.

**Falls from elevated beds can be fatal and deaths have occurred where children have fallen from elevated beds. This is relevant for all ages. The risk is greater for younger children.**

**The risk of injury or death from a fall from an elevated bed compared to a non-elevated bed is:**

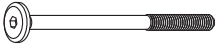

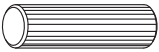
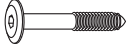

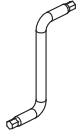

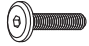
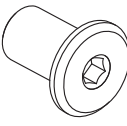
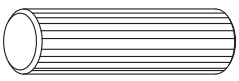
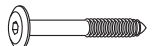

**10 x greater for 7-8 year olds**

**7 x greater for 9-10 year olds**



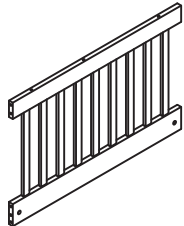
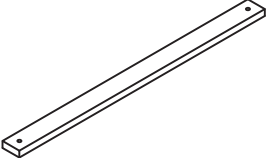


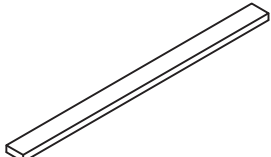
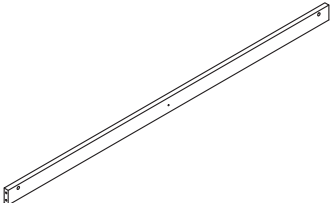
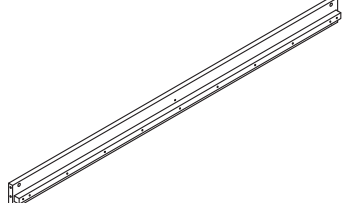
**3 x greater for 11-12 year olds**

# PINE WOOD BUNK BED

## HARDWARE LIST

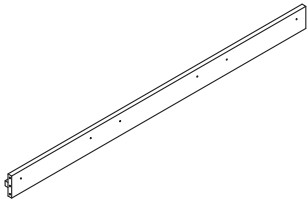
<p>A x28</p>  <p>M6 x90mm</p>	<p>B x28</p> 	<p>C x40</p>  <p>Ø8 x30mm</p>	<p>D x18</p>  <p>Ø6x50mm</p>	<p>E x12</p>  <p>M6 x70mm</p>
<p>F x2</p> 	<p>G x68</p>  <p>Ø4 x30mm</p>	<p>H x6</p>  <p>M6x30mm</p>	<p>I x6</p> 	<p>J x4</p>  <p>Ø12 x80mm</p>
<p>K x10</p>  <p>Ø6 x90mm</p>	<p>L x13</p> 			

## PARTS LIST

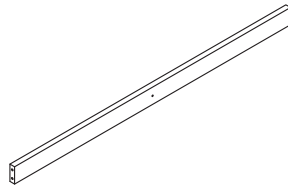
		
<p>01 2 PC</p>	<p>02 2 PC</p>	<p>03 2 PCS</p>
		
<p>04 2 PCS</p>	<p>05 2 PC</p>	<p>06 2 PC</p>
		
<p>07 2 PCS</p>	<p>08 2 PCS</p>	<p>09 1 PC</p>

# PINE WOOD BUNK BED

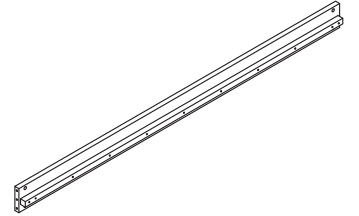
## PARTS LIST



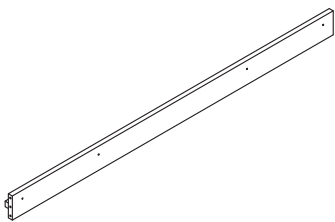
10 1 PC



11 2 PC



12 1 PC



13 1 PC



14 2 PCS



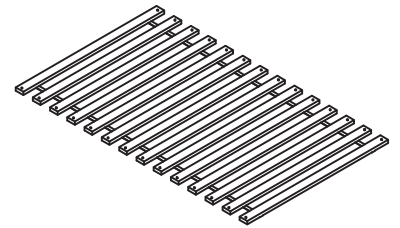
15 1 PC



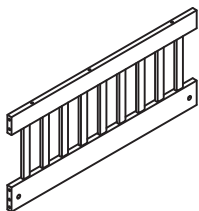
16 1 PC



17 3 PCS



18 2 PCS

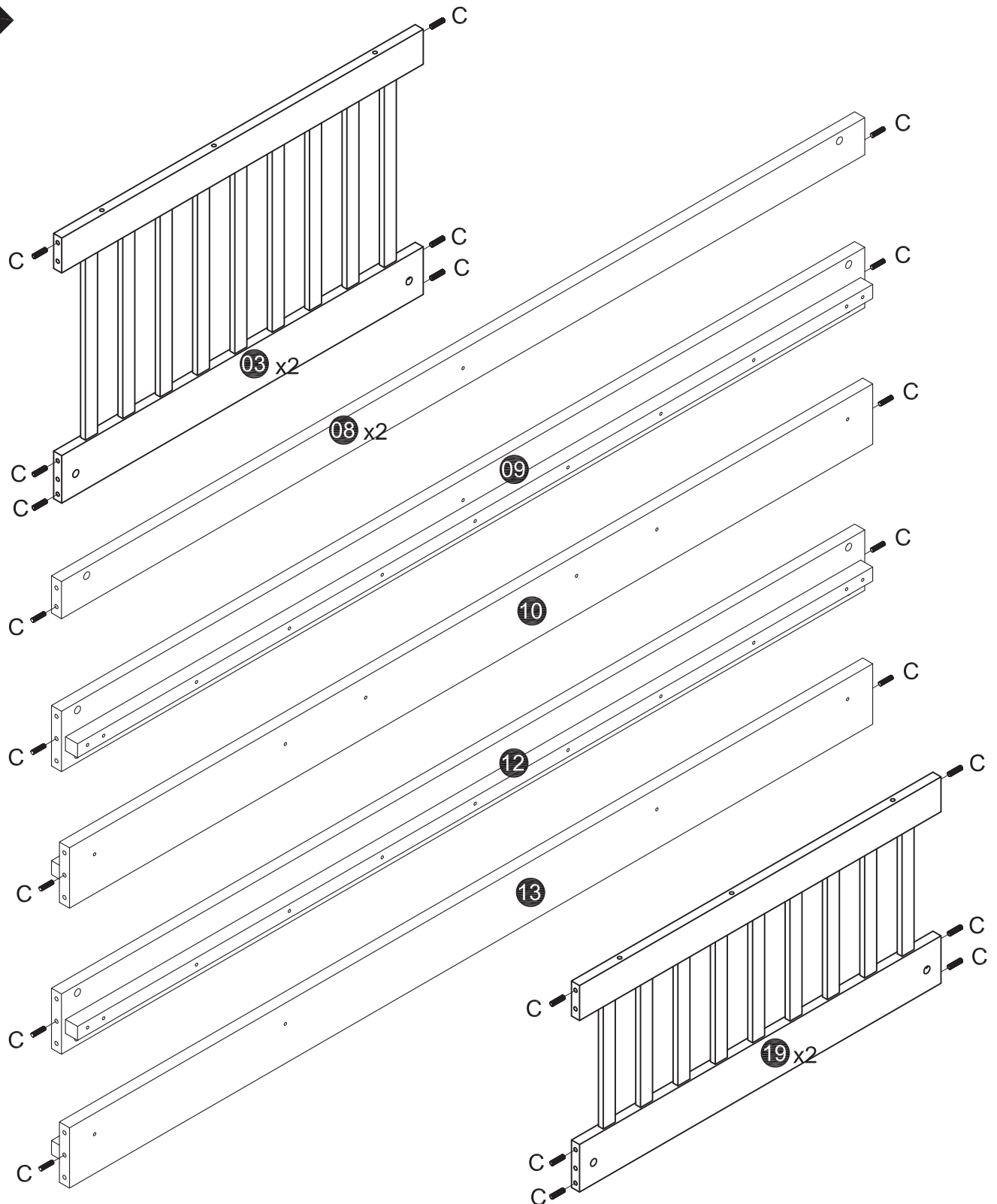


19 2 PC

# PINE WOOD BUNK BED

## STEP 1

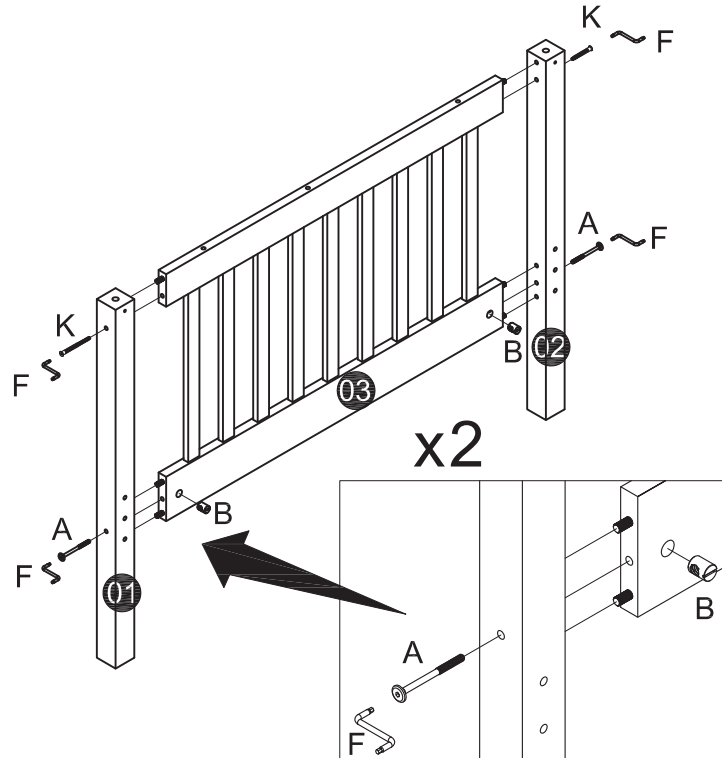
1



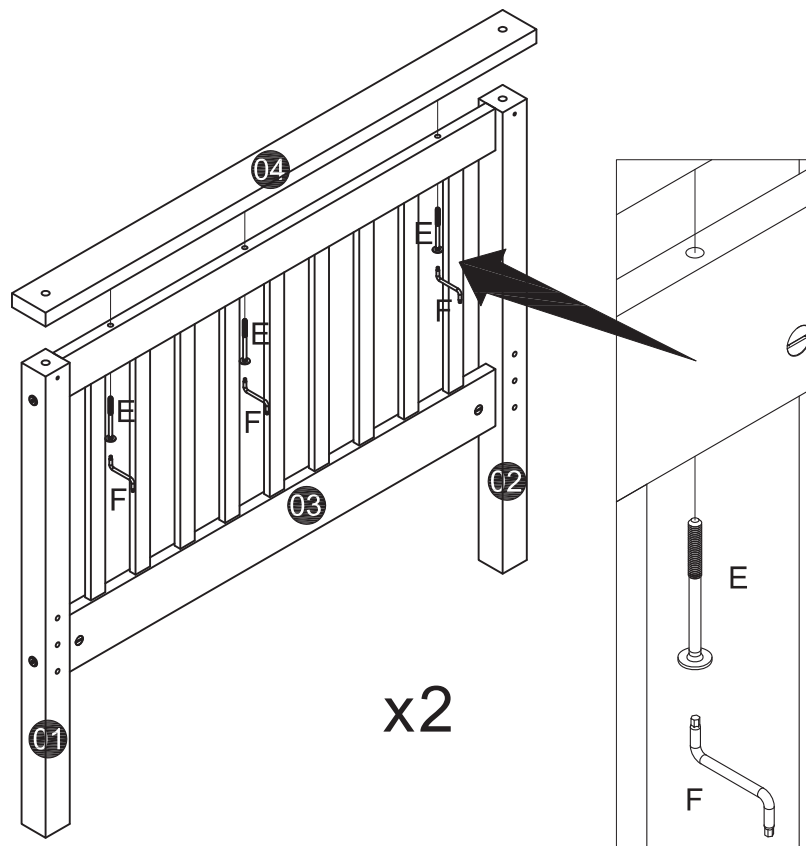
# PINE WOOD BUNK BED

## STEP 2

1



2

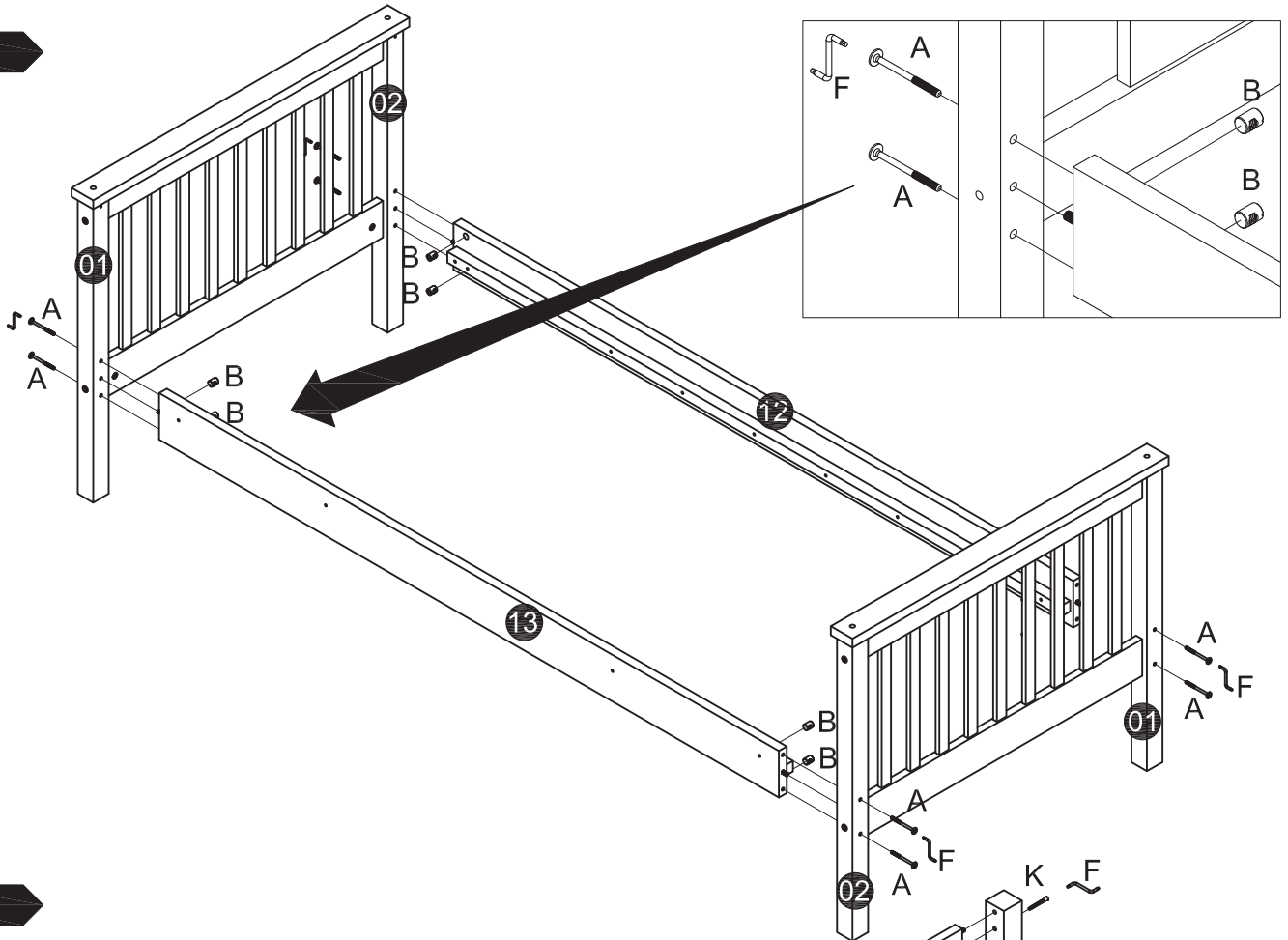




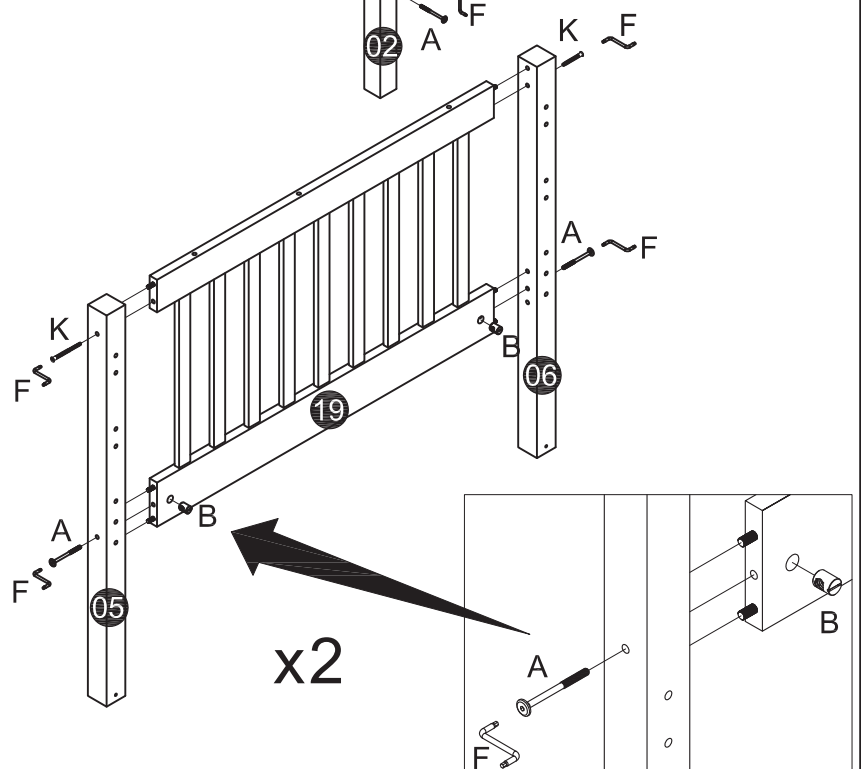
# PINE WOOD BUNK BED

## STEP 3

1



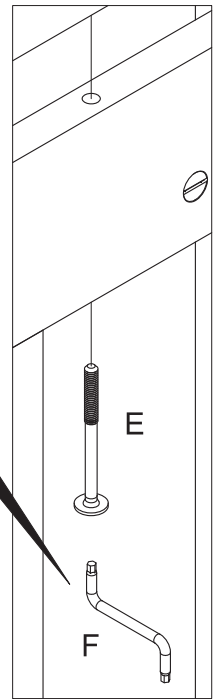
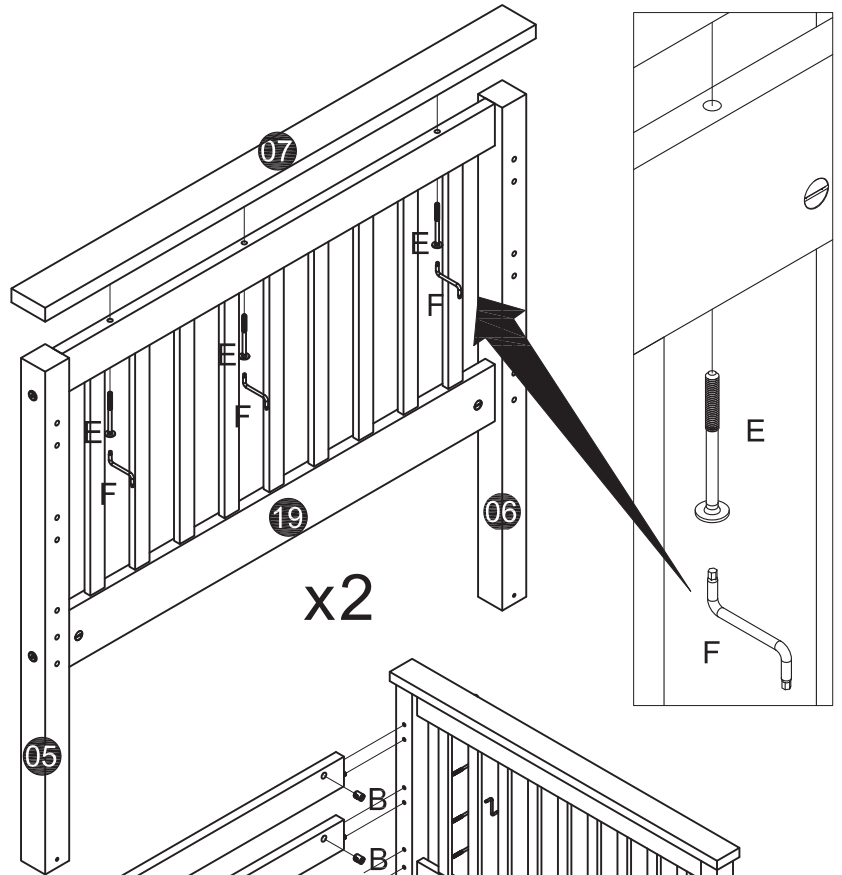
2



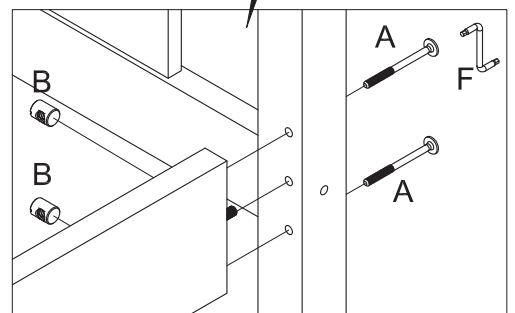
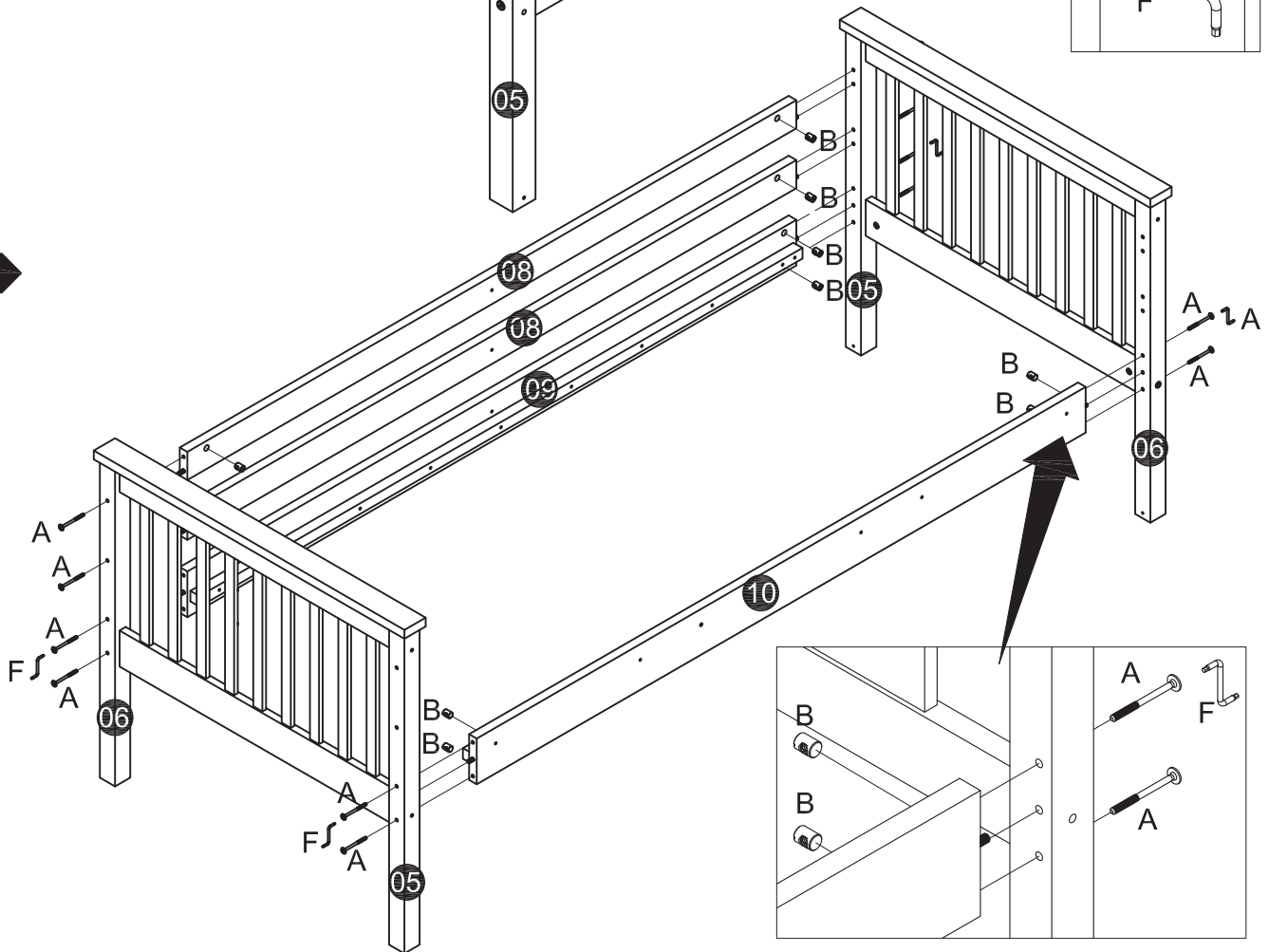
# PINE WOOD BUNK BED

## STEP 4

1

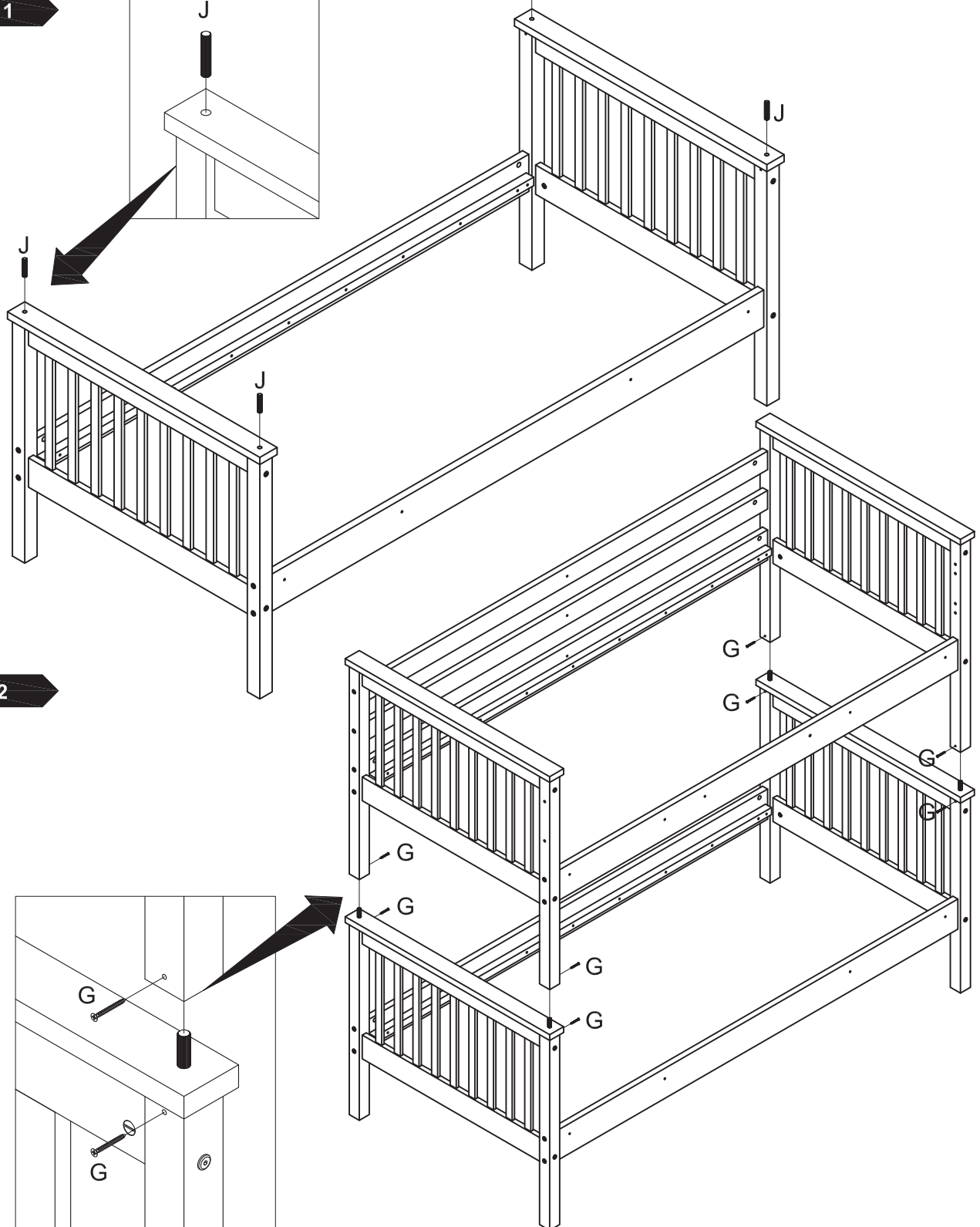


2



# PINE WOOD BUNK BED

## STEP 5

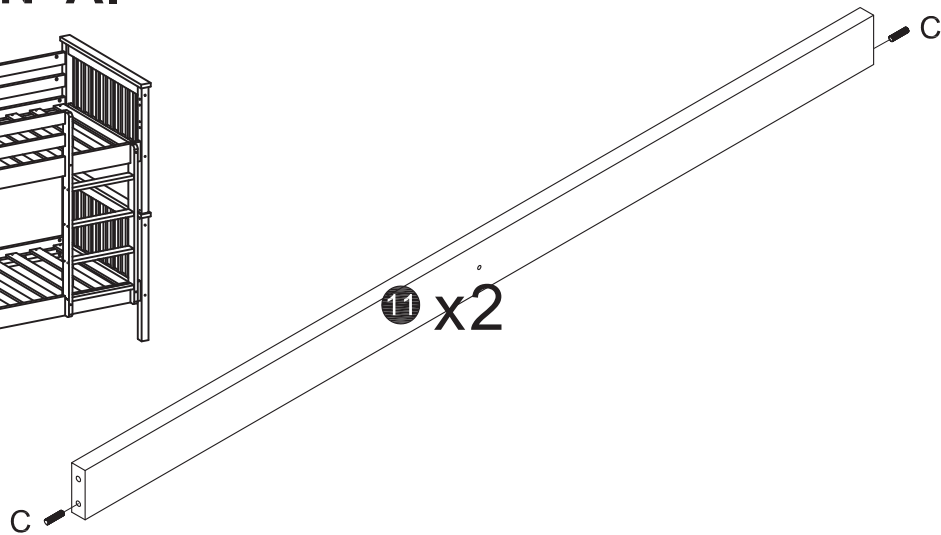


# PINE WOOD BUNK BED

## STEP 6

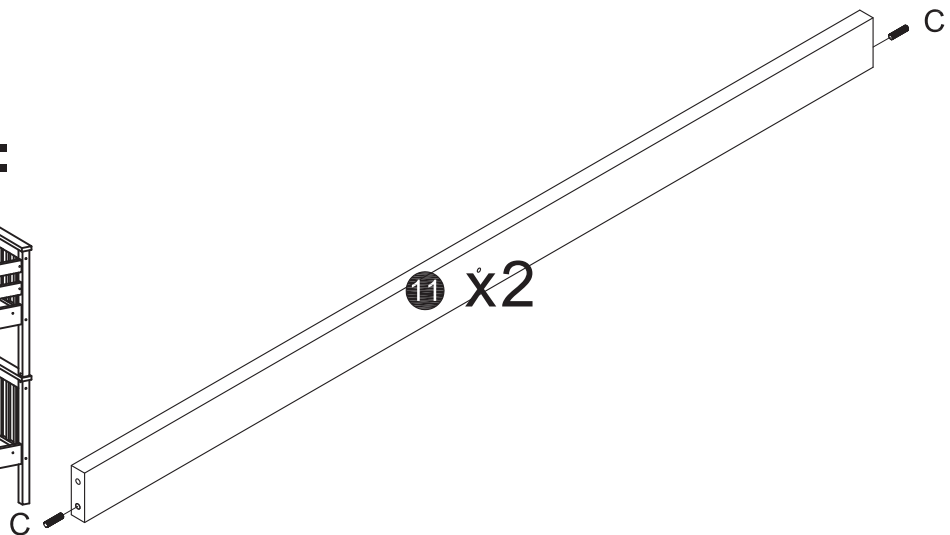
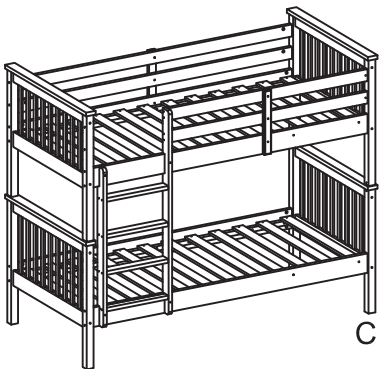
1

### OPTION A:



2

### OPTION B:

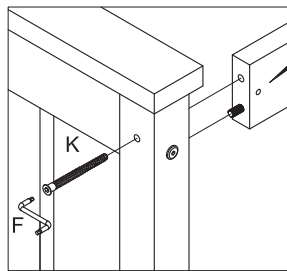
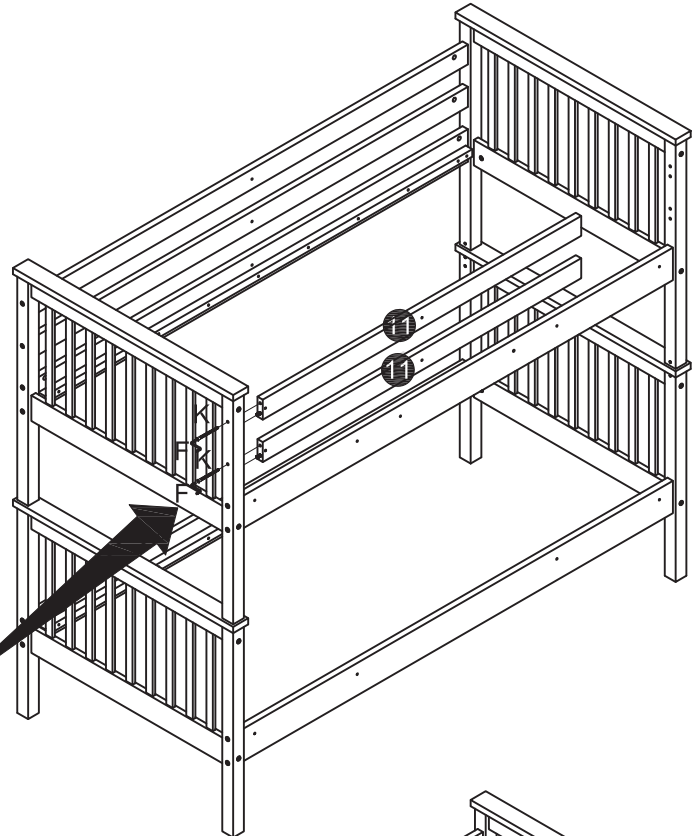


# PINE WOOD BUNK BED

## STEP 7

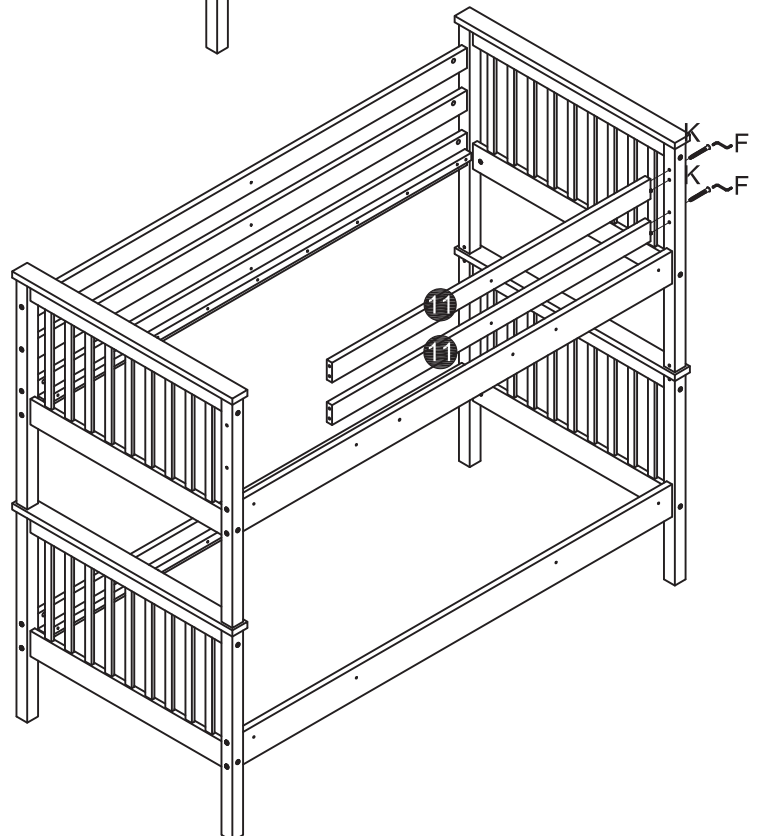
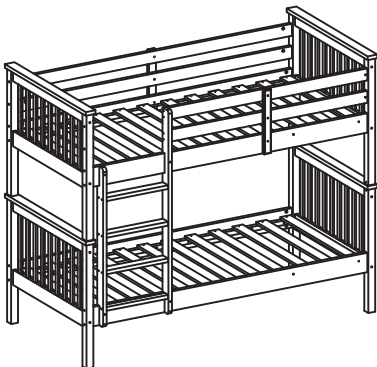
1

### OPTION A:



2

### OPTION B:

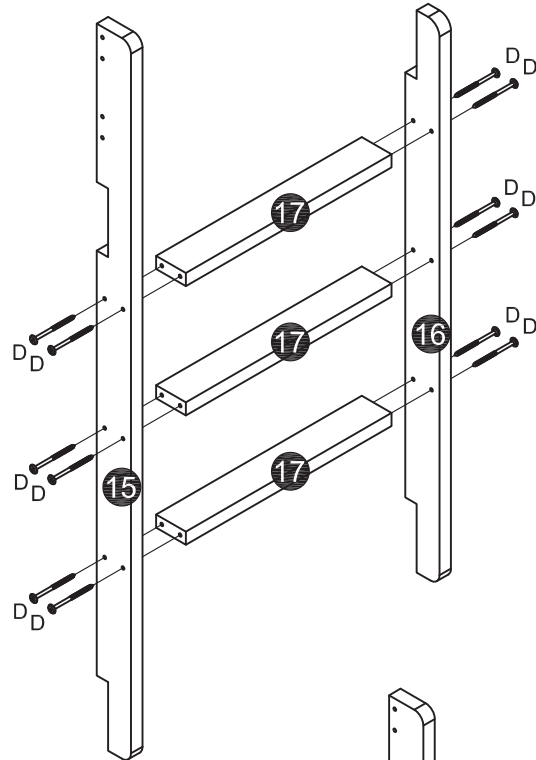


# PINE WOOD BUNK BED

## STEP 8

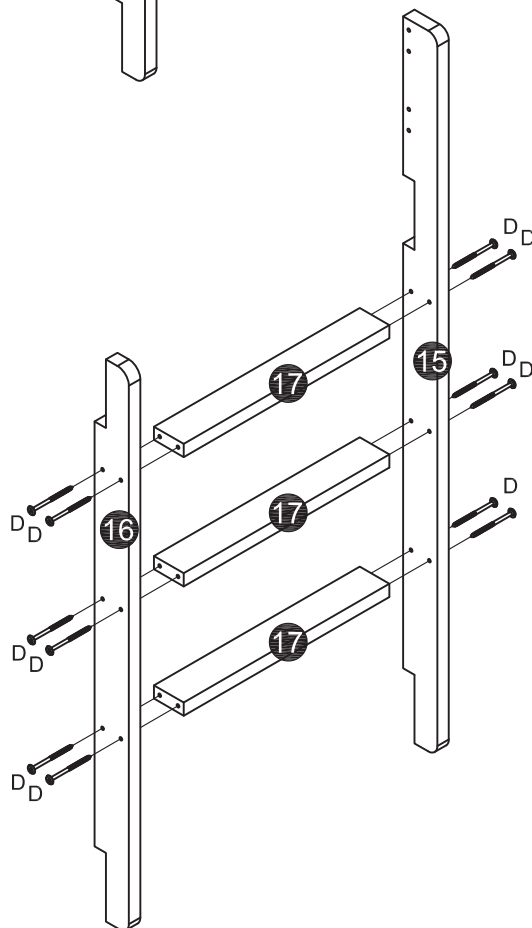
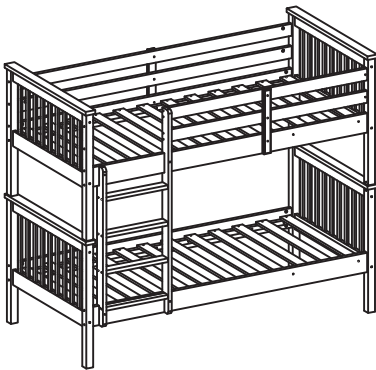
1

### OPTION A:



2

### OPTION B:

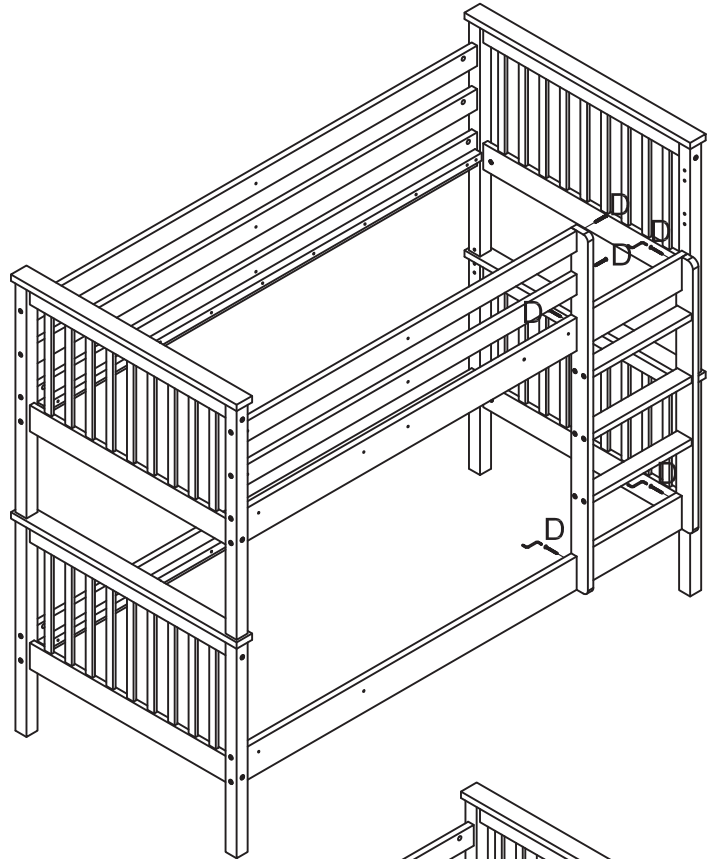


# PINE WOOD BUNK BED

## STEP 9

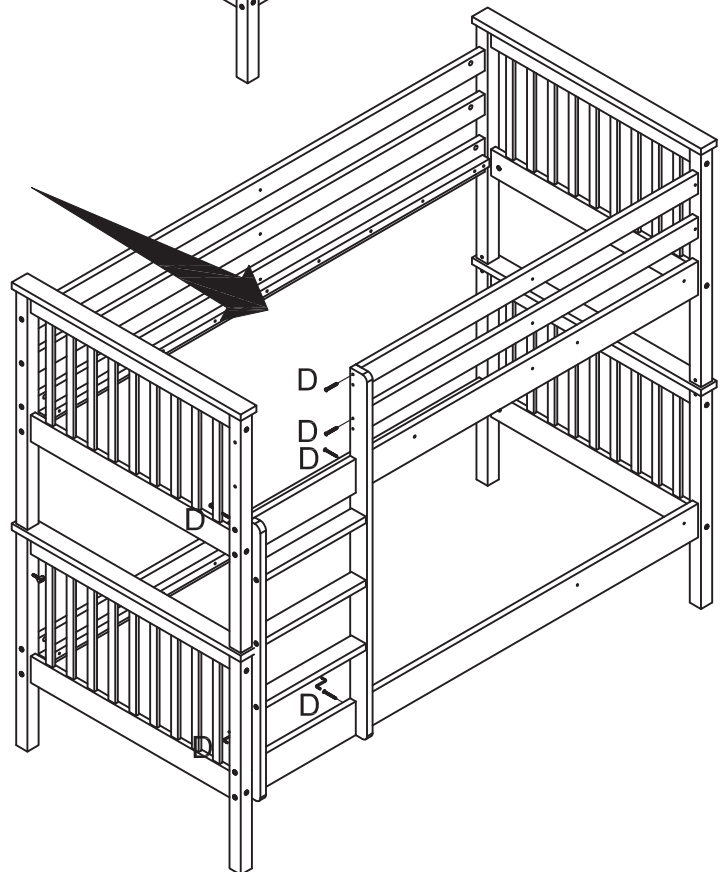
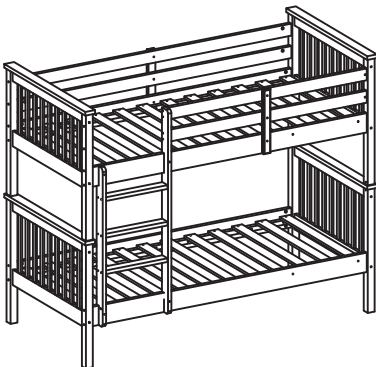
1

### OPTION A:



2

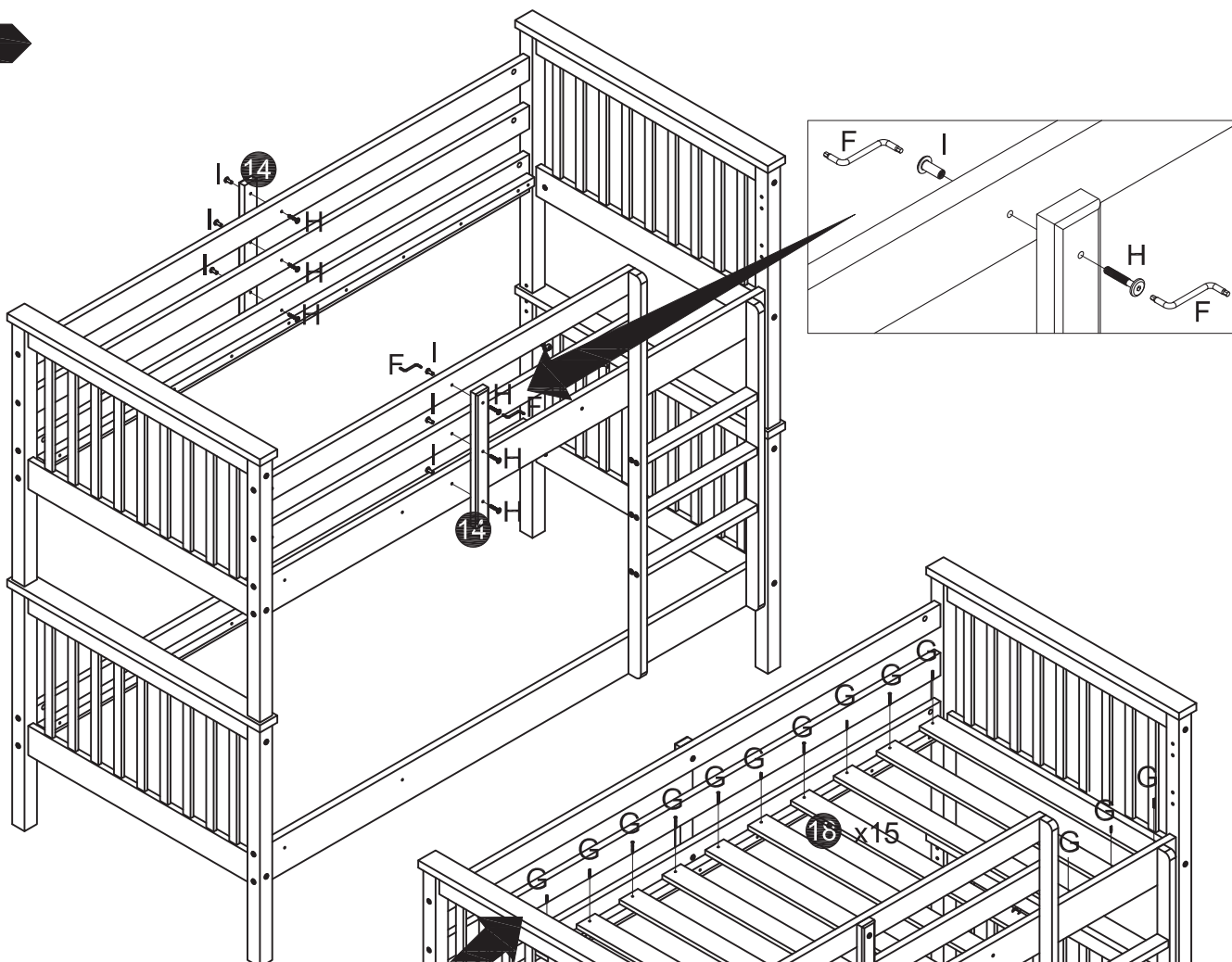
### OPTION B:



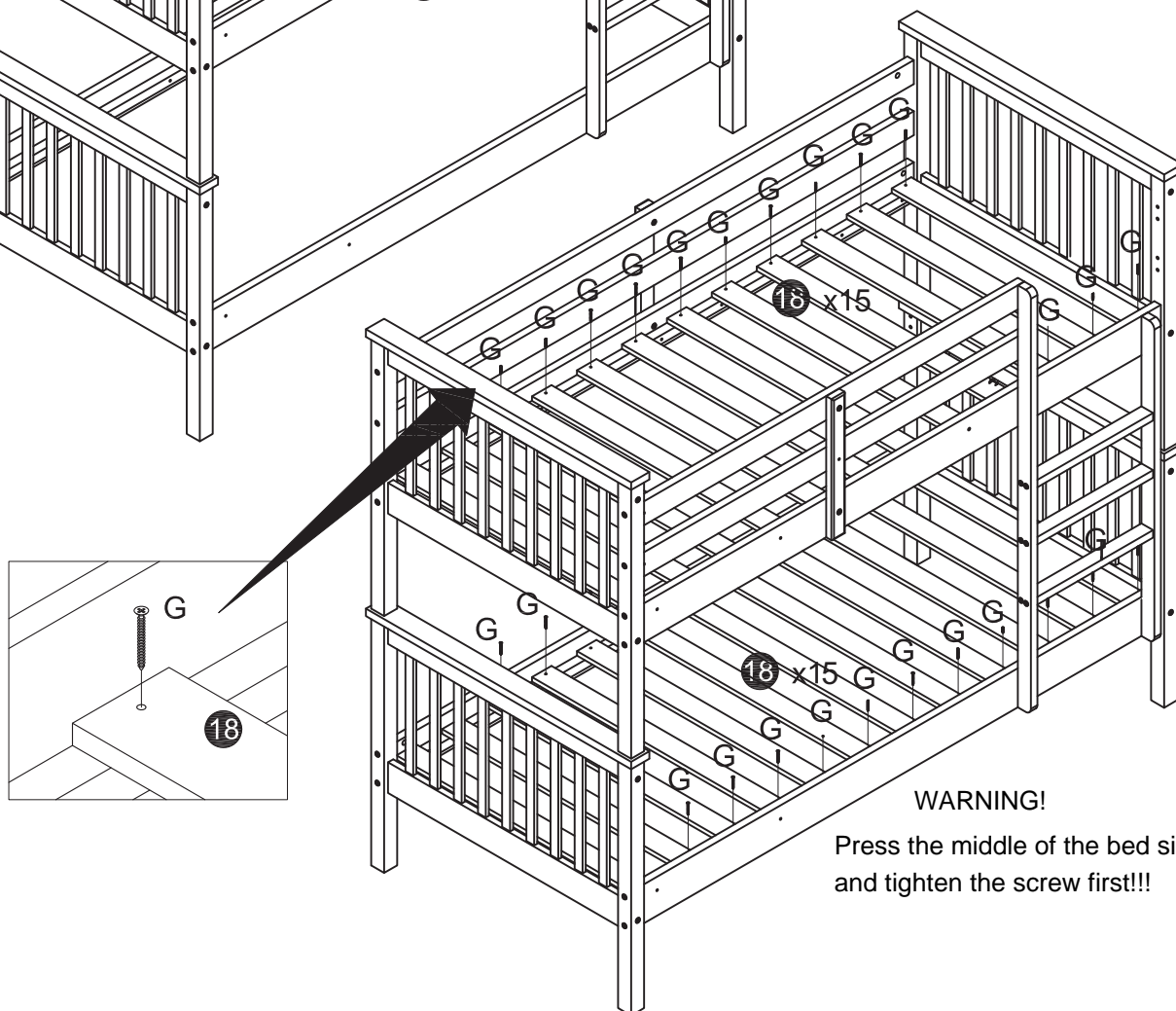
# PINE WOOD BUNK BED

## STEP 10

1



2



**WARNING!**

Press the middle of the bed sides and tighten the screw first!!!

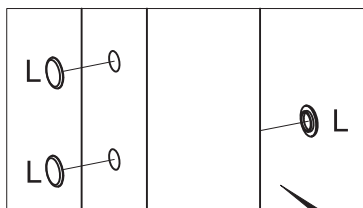
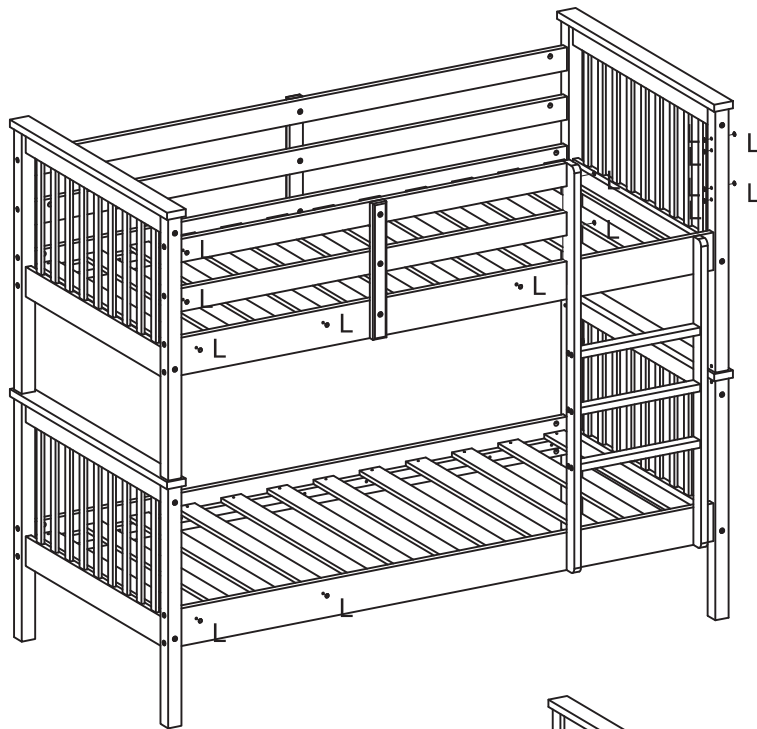
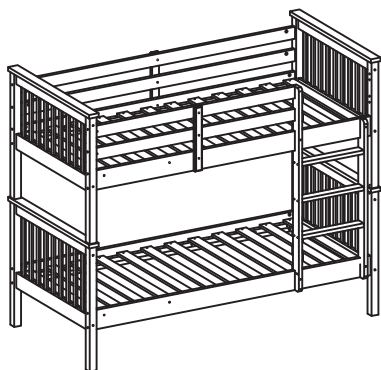


# PINE WOOD BUNK BED

## STEP 11

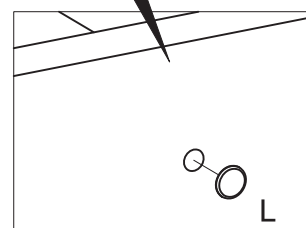
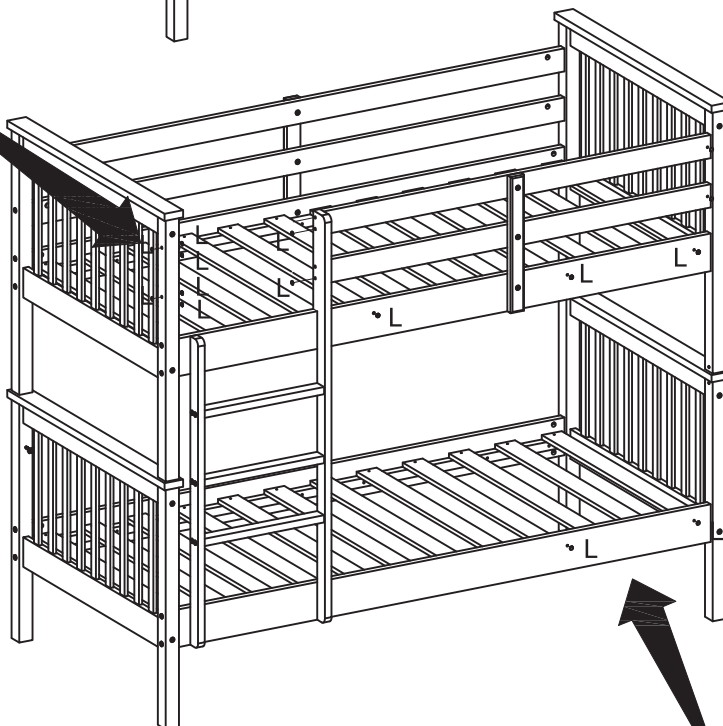
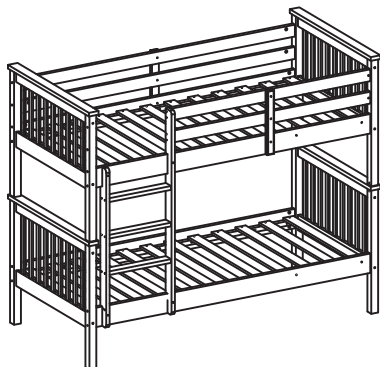
1

### OPTION A:



2

### OPTION B:



YOUR FURNITURE IS READY FOR USE