

Millie & Jones.

Assembly Guide

Before Assembly

- Check Parts - Unpack and ensure all parts are included and undamaged.
- Read Instructions - Review the guide fully before starting.
- Prepare the Space - Clear the area and assemble on a soft surface to prevent damage.
- Gather Tools - Use only the recommended tools.
- Get Help - Larger items may require two people.

Health & Safety

- Keep Kids & Pets Away - Ensure a safe workspace.
- Lift Safely - Avoid strain; lift with care or get assistance.
- Wear Protection - Gloves help prevent injuries.
- Secure Loose Clothing - Avoid anything that could get caught.
- Handle Small Parts Carefully - Keep screws and fittings away from children.
- Dispose of Packaging Safely - Recycle and keep plastic bags out of reach.

Important Information

Please be aware that there may be a light smell emitting from the product once you have opened the boxes and begun to assemble the bed. This smell will subside within 6-8 weeks. We recommend keeping windows open and fresh air circulating wherever possible.

Please take the time to carefully read through all of these instructions before you commence building this bed.

Keep these instructions for future reference.

Make sure to unpack, inspect and check all contents to ensure you have received every component.

WARNING - Small components or parts could choke a child if swallowed.

We strongly recommend that you keep children away from the work area.

We recommend laying a sheet or blanket on the floor where you intend to work to avoid scratching this product and protect your floor.

This product is heavy. Take extreme care when lifting and use two people to avoid personal injury or damage to the product.

Assemble the product close to its intended final position in your room, so you do not need to move it too much.

Keep any sharp objects away from the bed frame.

Please dispose of all packing safely.

HANDY HINT: If you keep the hardware in a bowl during assembly, you will be less likely to lose them.

HEALTH AND SAFETY

DO NOT: jump on this bed frame.

DO NOT: use this bed frame if any part is missing, damaged or worn.

DO NOT: use this bed frame unless all fixings are secured.

DO NOT: push this bed frame as this will damage the legs.

WARNING: If placing this bed on a non-carpeted floor, you must place some protection under all legs to stop the bed frame from moving. If you do not adhere to this, then there is no guarantee if the bed frames collapse.

CAUTION

- DO NOT:** allow children to operate the lift mechanism.
- DO NOT:** allow children near the lift base when operating the mechanism.
- DO NOT:** allow children inside the internal storage base area.
- DO NOT:** stand inside the bed / on the internal storage base.
- DO NOT:** overload the internal storage base.
- DO NOT:** remain on the bed whilst the lifting mechanism is in use.

You must ensure the mattress is on the bed frame before lifting the mechanism.
Failure to do so may result in injury.

Make sure to keep your hands clear of the mechanism when operating the base system.

If removing the mattress, make sure that the frame is secured as it could flip open.

Only use the storage compartment when the frame is fully raised in the "up" position.

Ensure no children and animals are left unattended when the frame is in the "up" position.

Beware of Entrapment - Keep both hands clear of the mechanism when operating the bed.

When lifting the bed, remove all bedding except for the fitted mattress sheet.





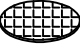

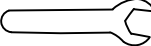



Following the installation of the mechanism, lift and pull the base a few times to free the system.
The gas cylinders fitted to the system may be stiff when used or if you do not operate the system for some time. Please note that you must fit the mattress to the base.

Using two hands lift the mattress base by using the attached strap handle. To pull the mattress base back down, use two equally spaced hands in the centre of the mattress base.

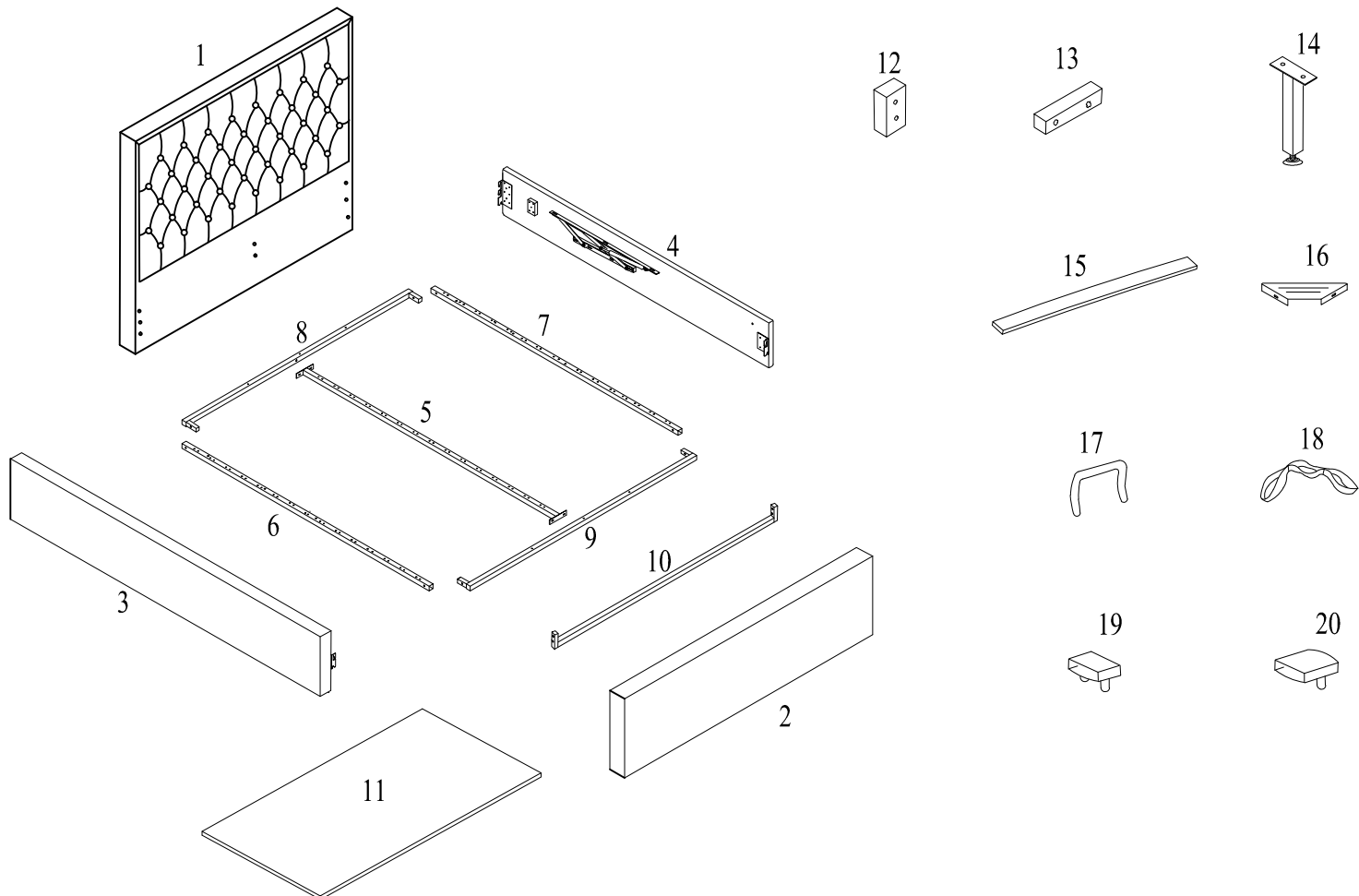
DO NOT pull on one side of the base only as this is likely to damage the base system. This can result in the potential failure of the mattress base system and lift mechanism.

DO NOT operate the lift-up mechanism without the mattress fitted to the base.

No	Part List	Qty	Box
1	Headboard	1pc	1
2	Footboard	1pc	2
3	Side Rails (Left)	1pc	2
4	Side Rails (Right)	1pc	2
5	Support Bar	1pc	2
6	Metal Left Frame (L)	1pc	2
7	Metal Right Frame (R)	1pc	2
8	Metal Frame (Short - Headboard)	1pc	3
9	Metal Frame (Short - Footboard)	1pc	3
10	Center Support Bar	1pc	3
11	Storage Wooden Base	2pcs	1
12	Headboard Support Wood	1pc	2
13	Footboard Support Wood	1pc </td <td>2</td>	2
14	Center Rail Support Leg	1pc	3
15	Slats	28pcs	3
16	Metal Corner Plate	2pcs	2
17	Mattress Stopper	2pcs	2
18	Pull Strap	1pc	2
19	Single Plastic Cap Side	28pcs	2
20	Double Plastic Cap Center	14pcs	2

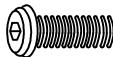

No	Hardware List	Qty	Box
A	Bolt (M6x25mm) 	4pcs	2
B	Bolt (M8x16mm) 	14pcs	2
C	Bolt (M8x30mm) 	12pcs	2
D	Bolt (M8x45mm) 	10pcs	2
E	Non-slip Pad 	18pc	2
F	Bolt (M6x45mm) 	4pcs	2
G	Spanner 	1pc	2
H	Allen Key M5 	1pc	2
I	Allen Key M4 	1pc	2
J	M8 Nut 	6pcs	2

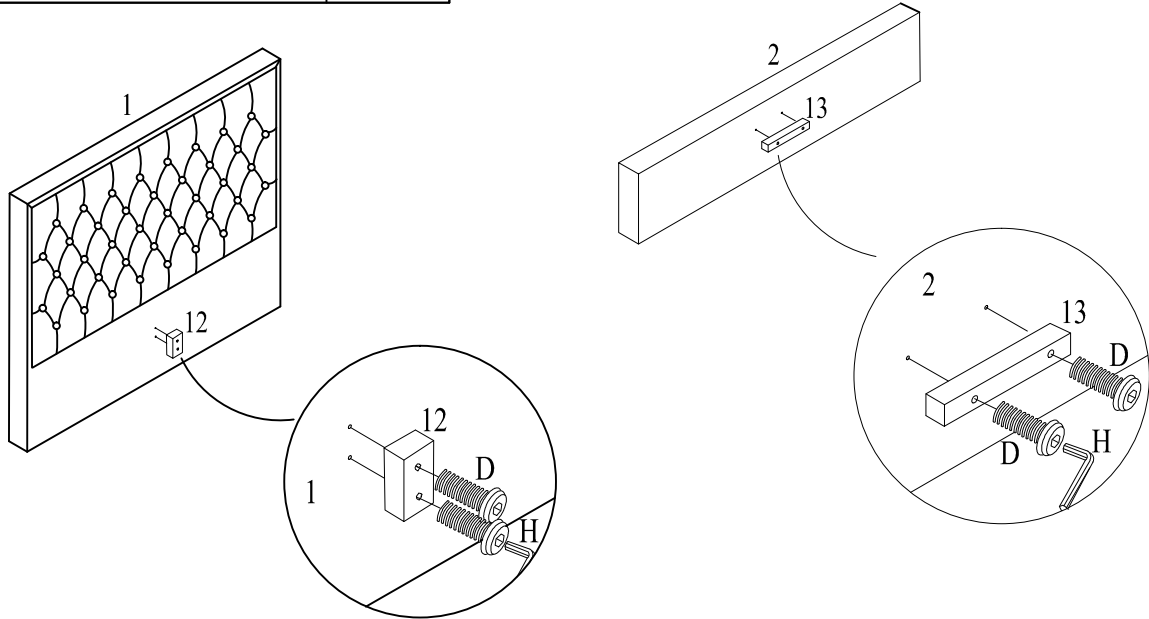
* You will also need a screwdriver (not provided)



Step 1:

To fix the Headboard Support Wood (12) to the headboard (1), the Footboard Support Wood (13) to the footboard (2), you will need to use bolt (D) with the M4 allen key (H).

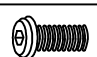

D	Bolt M8 x 45mm		4pcs
H	Allen Key M5		1pcs

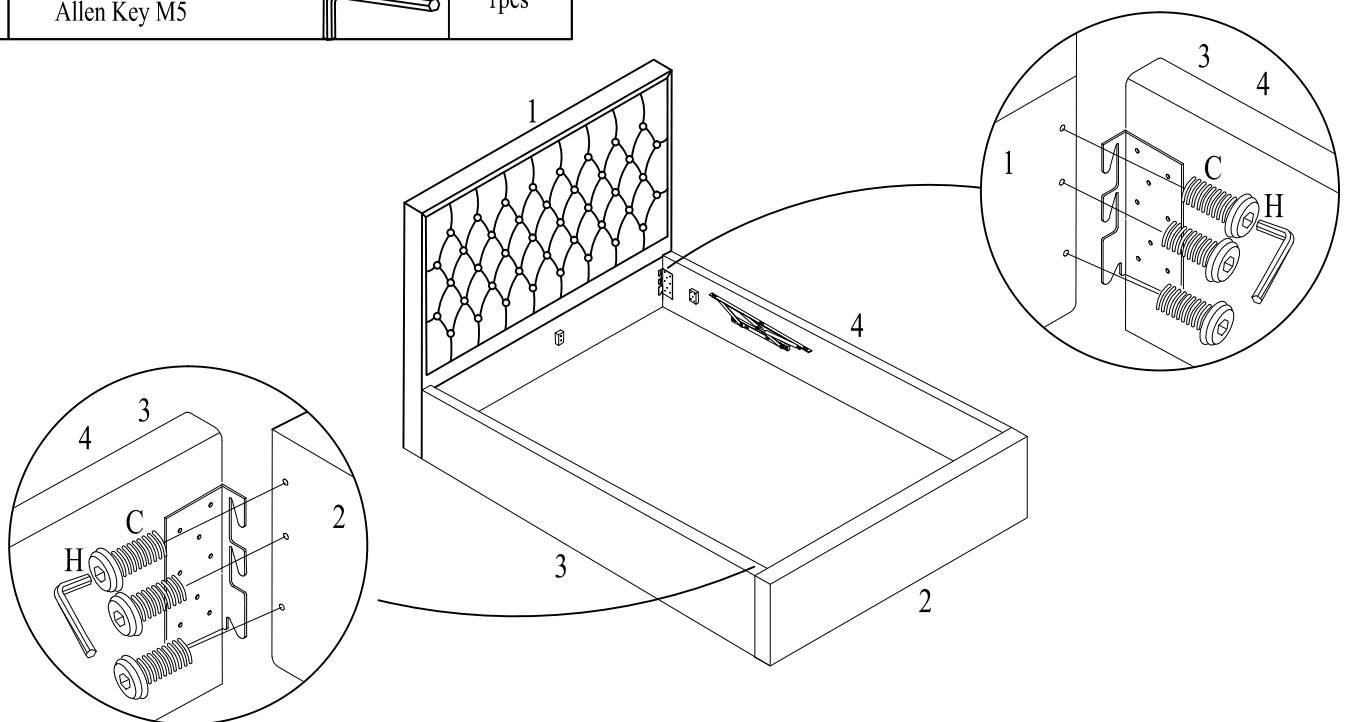


DO NOT use any power tools as this may damage the frame and will invalidate any claim.

Step 2:

To fix the side rail (3) and (4) to the headboard (1) and footboard (2), you will need to use Bolt (C) with the M5 allen key (H).



C	Bolt (M8x30mm)		12pcs
H	Allen Key M5		1pcs

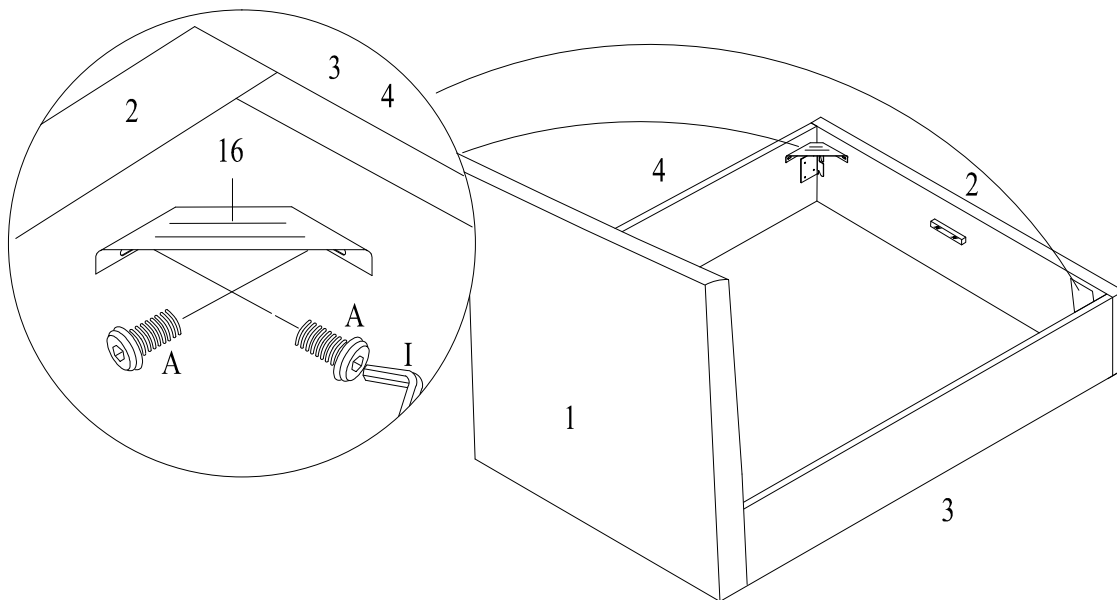


DO NOT use any power tools as this may damage the frame and will invalidate any claim.

Step 3:


To fix the Metal Corner Plate (16) to the footboard (2), to the side rail (3) and (4), you will need to use bolt (A) with the M4 allen key (I).

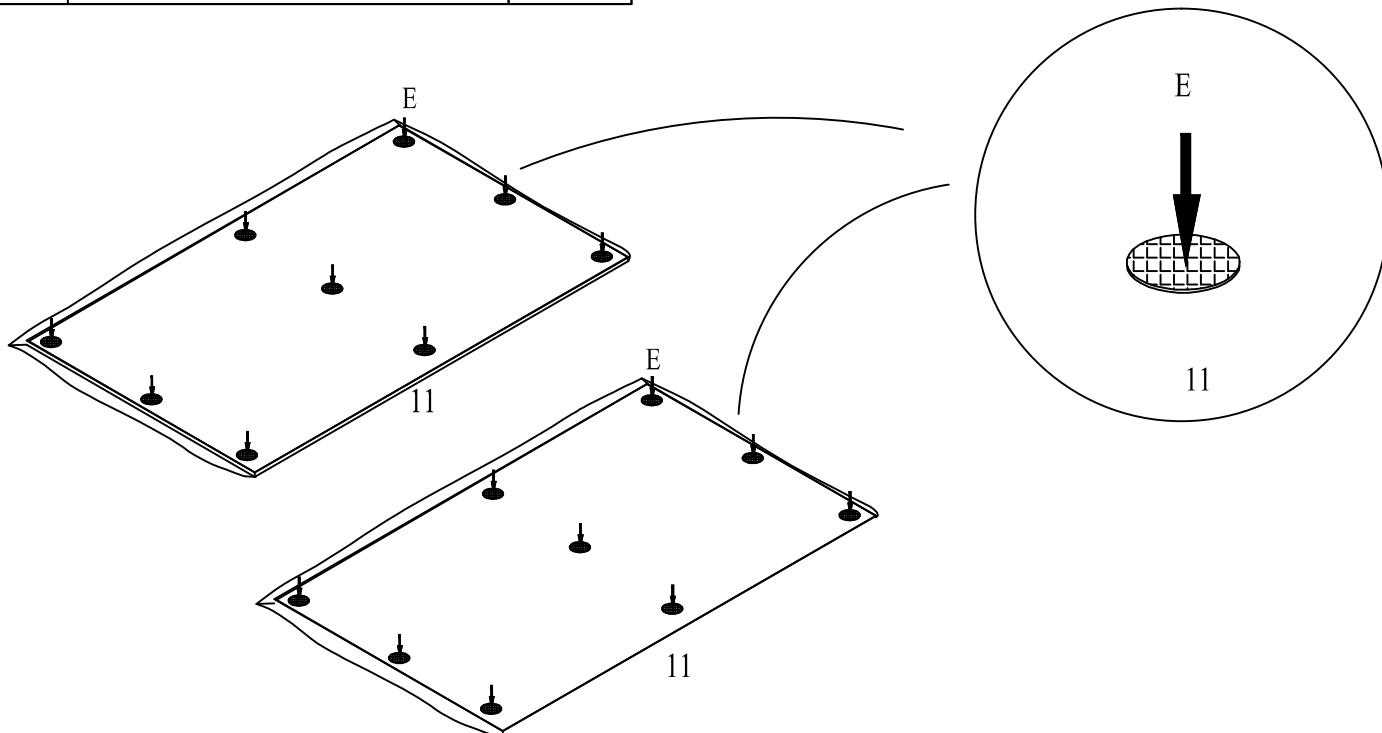
A	Bolt (M6x25mm)		4pcs
I	Allen Key M4		1pcs



DO NOT use any power tools as this may damage the frame and will invalidate any claim.

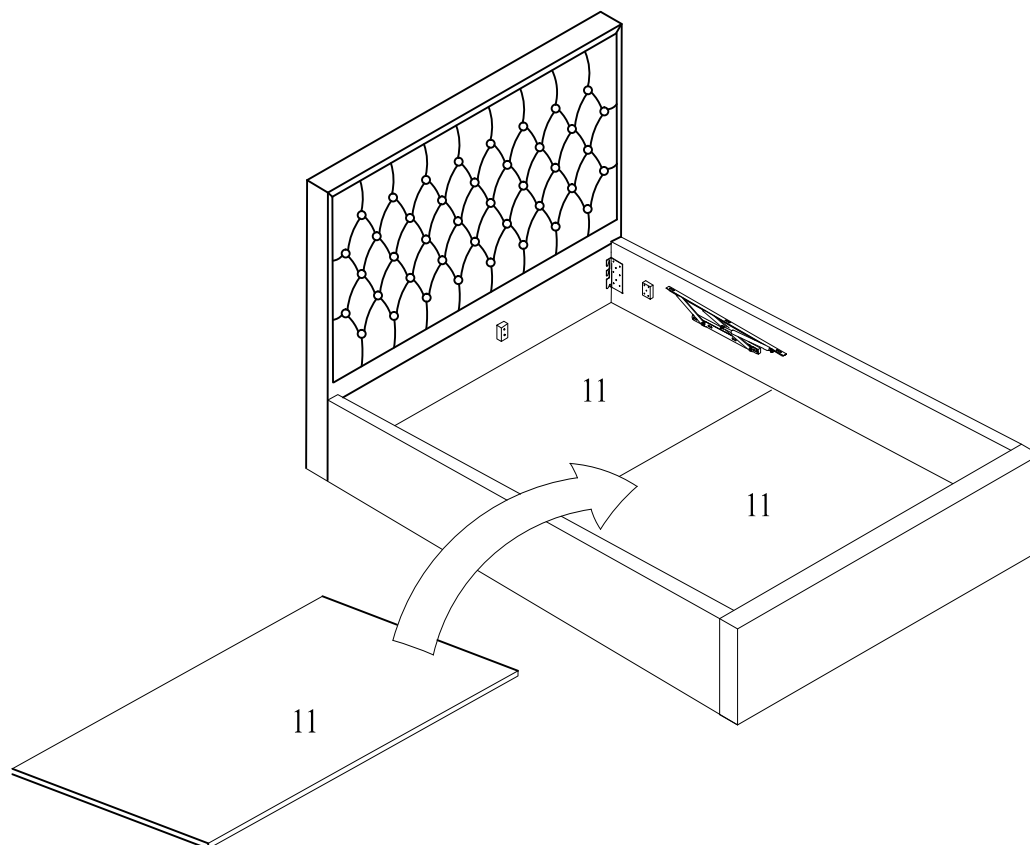
Step 4:

E	Non-slip Pad		18pcs
---	--------------	---	-------



Step 5:

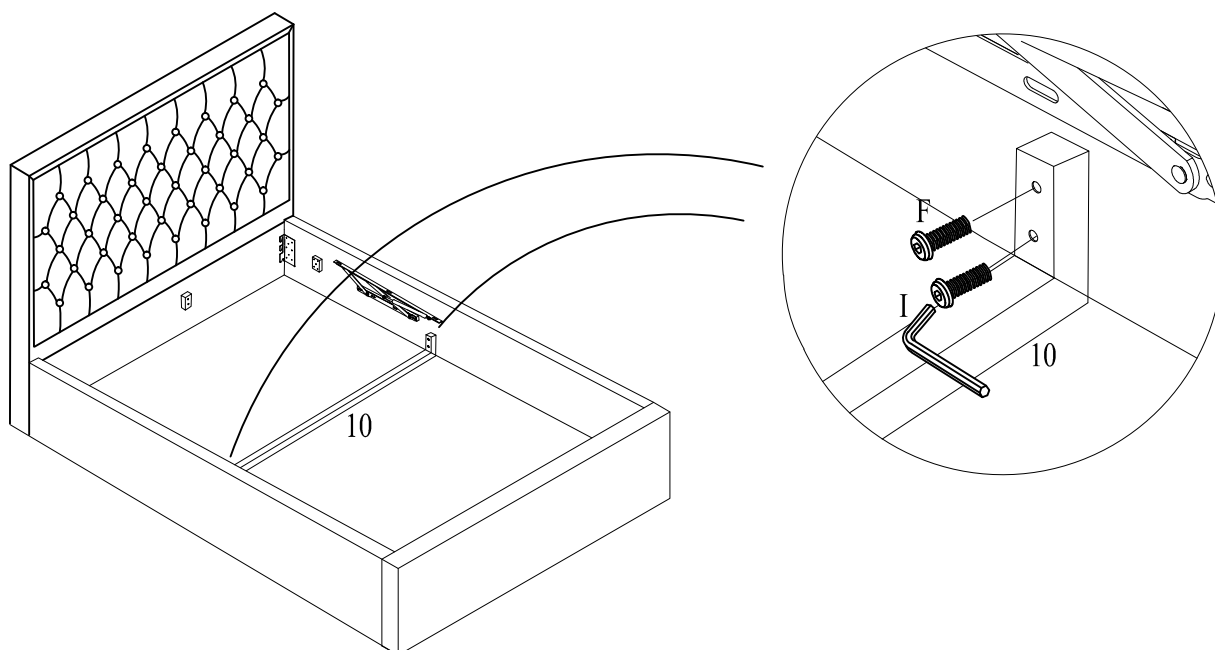
To fix the Storage Wooden Base (11) to the Bed Bottom.



Step 6:

To fix the Center Support Bar (10) to the Side Rails (3) and (4).



F	Bolt (M6x45mm)		4pcs
I	Allen Key M4		1pcs

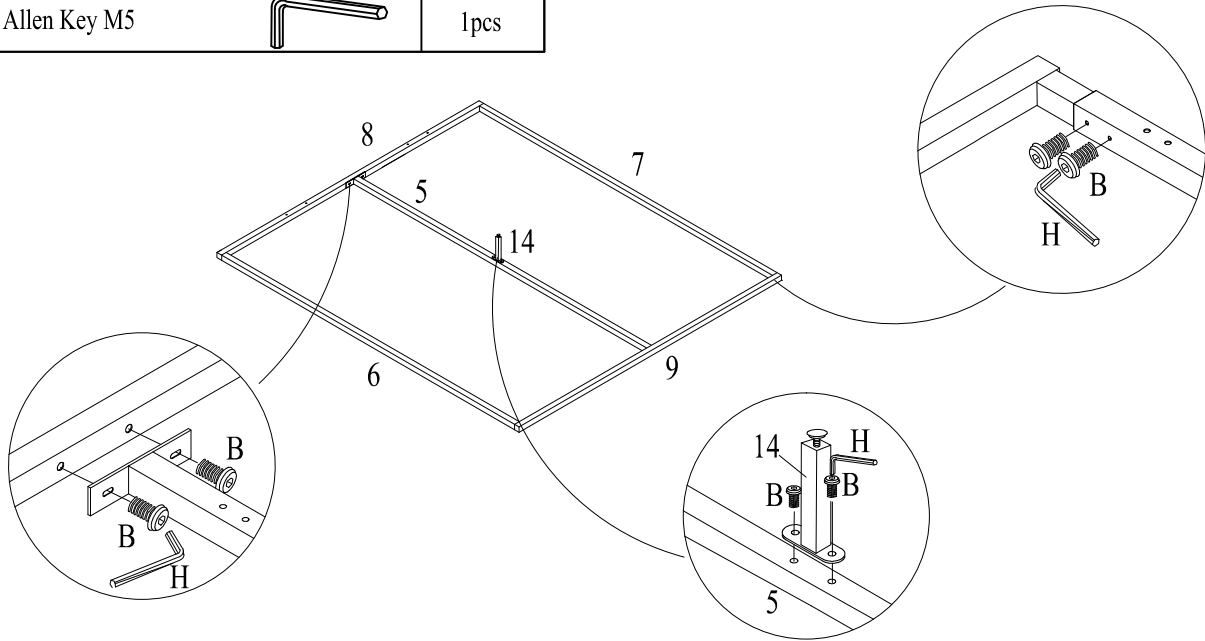


Step 7:

To fix the Front Frame Short (8) and (9) to the Metal Left Frame (L) (6) and Metal Right Frame (R) (7) .

To fix the Support Bar (5) to the Front Frame Short (8) and (9) , Center Rail Support Leg (14) to the Support Bar (5).


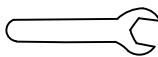


B	Bolt M8 x 16mm		14pcs
H	Allen Key M5		1pcs

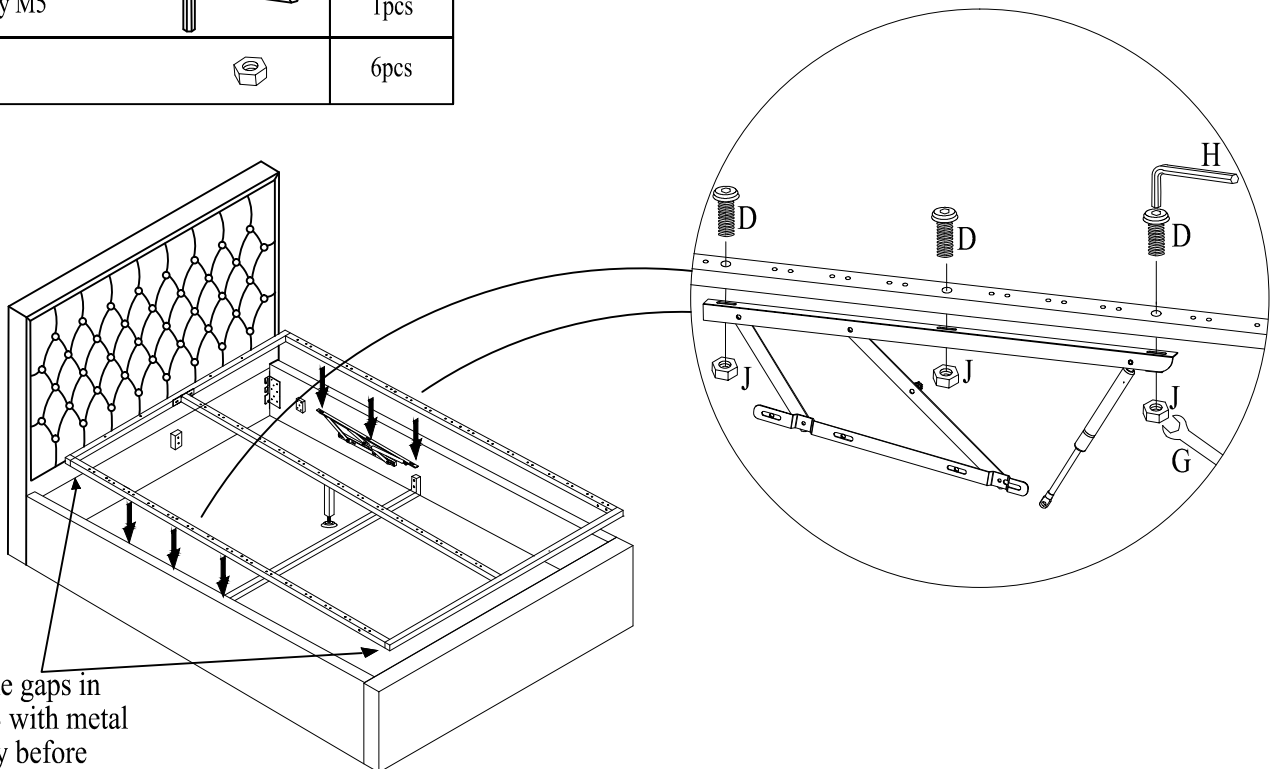


DO NOT use any power tools as this may damage the frame and will invalidate any claim.

Step 8:

To fix the Metal frame to the gas lift mechanisms.

D	Bolt M8 x 45mm		6pcs
G	Spanner M14		1pcs
H	Allen Key M5		1pcs
J	M8 Nut		6pcs



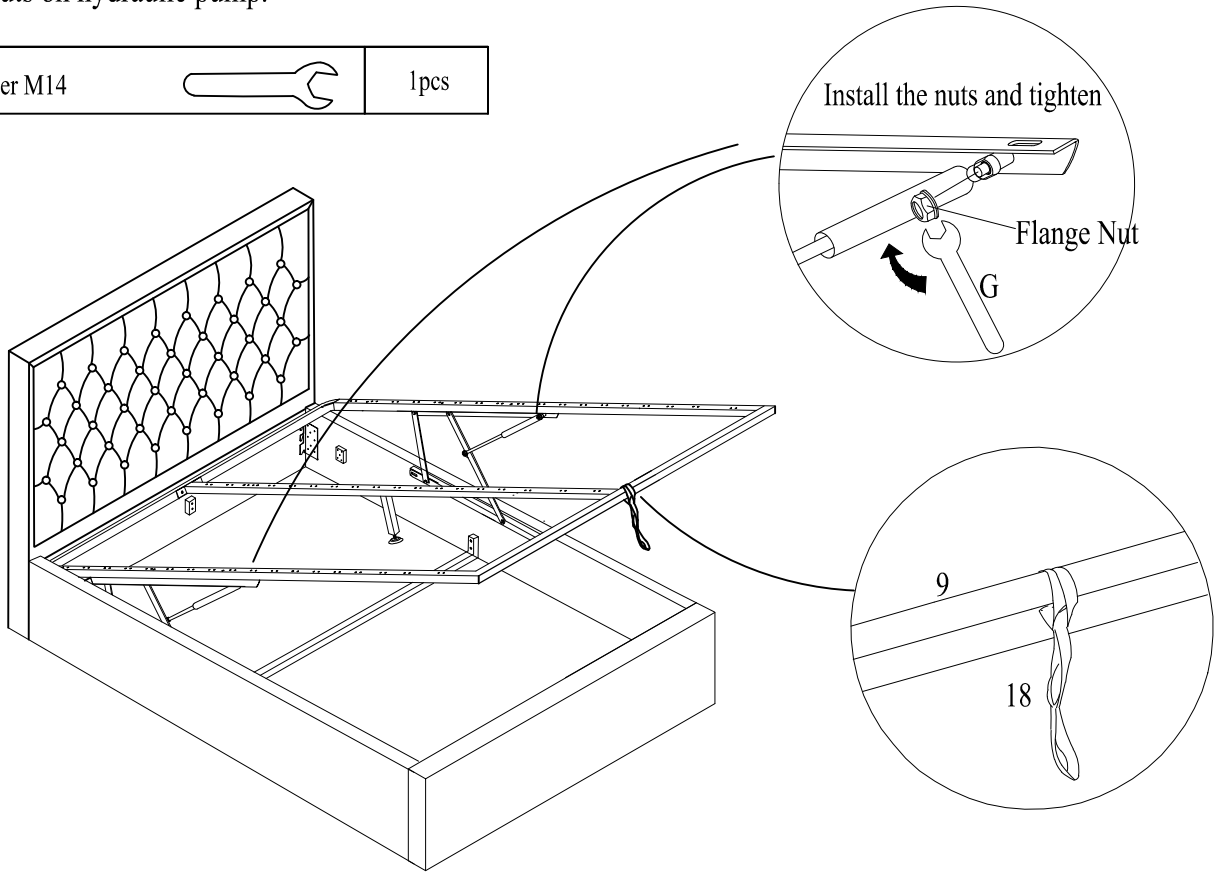
Please ensure the gaps in between HB/FB with metal frame are evenly before assemble the metal frame

DO NOT use any power tools as this may damage the frame and will invalidate any claim.

Step 9:

To fix the Pull Strap (18) to the Front Frame Short (9).
Tighten the nuts on hydraulic pump.

G	Spanner M14		1pcs
---	-------------	---	------



DO NOT use any power tools as this may damage the frame and will invalidate any claim.

Step10

To fix the Mattress Stopper (17) to the Front Frame Short (8) ,
Single Plastic Cap Side (19) and Double Plastic Cap Center (20) to the Slats (15) to the metal frame.

