

Millie & Jones.

Assembly Guide

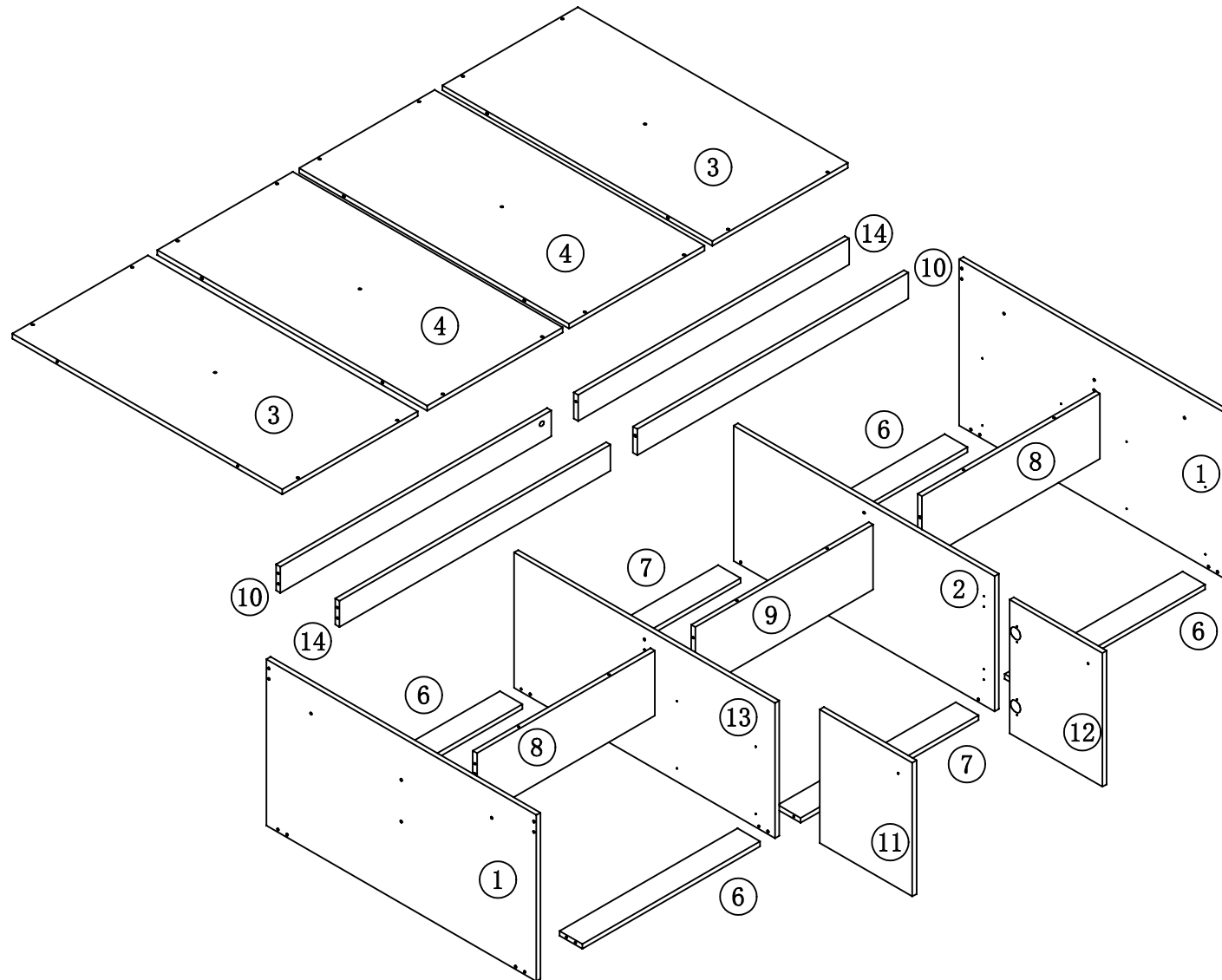
Before Assembly


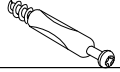







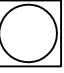
- Check Parts - Unpack and ensure all parts are included and undamaged.
- Read Instructions - Review the guide fully before starting.
- Prepare the Space - Clear the area and assemble on a soft surface to prevent damage.
- Gather Tools - Use only the recommended tools.
- Get Help - Larger items may require two people.

Health & Safety

- Keep Kids & Pets Away - Ensure a safe workspace.
- Lift Safely - Avoid strain; lift with care or get assistance.
- Wear Protection - Gloves help prevent injuries.
- Secure Loose Clothing - Avoid anything that could get caught.
- Handle Small Parts Carefully - Keep screws and fittings away from children.
- Dispose of Packaging Safely - Recycle and keep plastic bags out of reach.

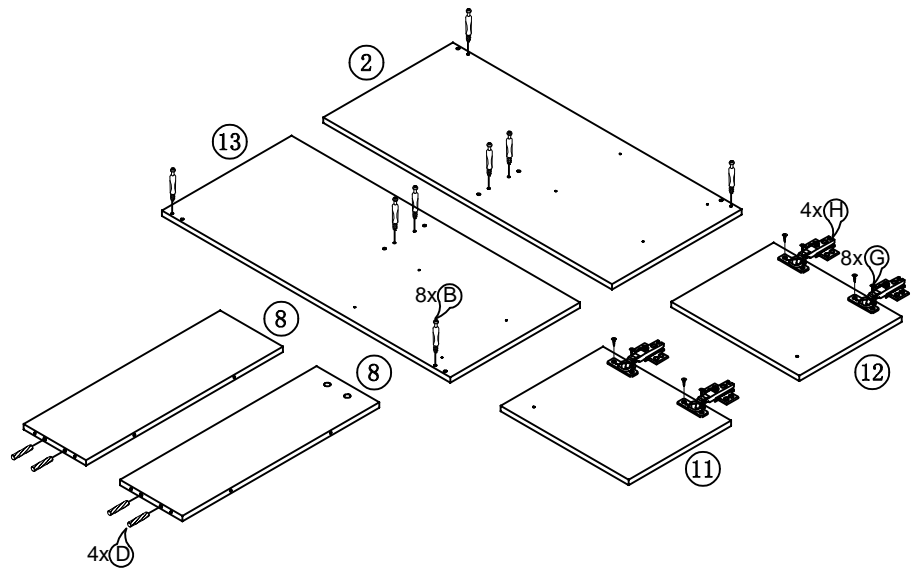
PARTS LIST



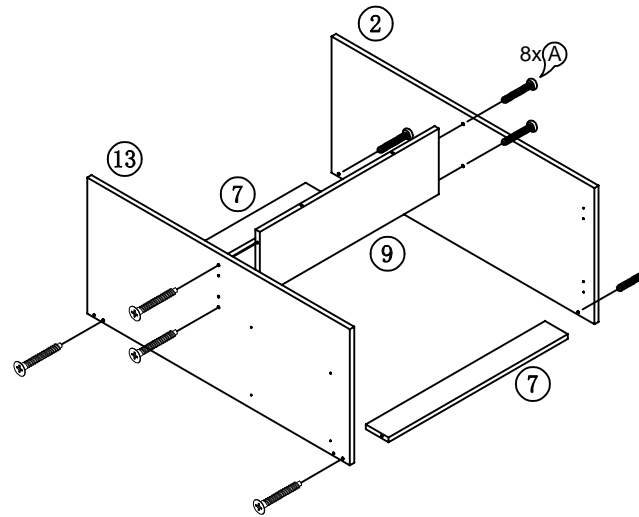
NO.	QTY.	LINEDRAWING
(A)	52	 7x50mm
(B)	10	
(C)	10	
(D)	12	 8x40mm
(E)	2	
(F)	12	
(G)	24	 3.5x14
(H)	4	
(I)	68	
(J)	10	

NO.	QTY.	NO.	QTY.
(1)	2	(10)	2
(2)	1	(11)	1
(3)	2	(12)	1
(4)	2	(13)	1
(6)	4	(14)	2
(7)	2		
(8)	2		
(9)	1		

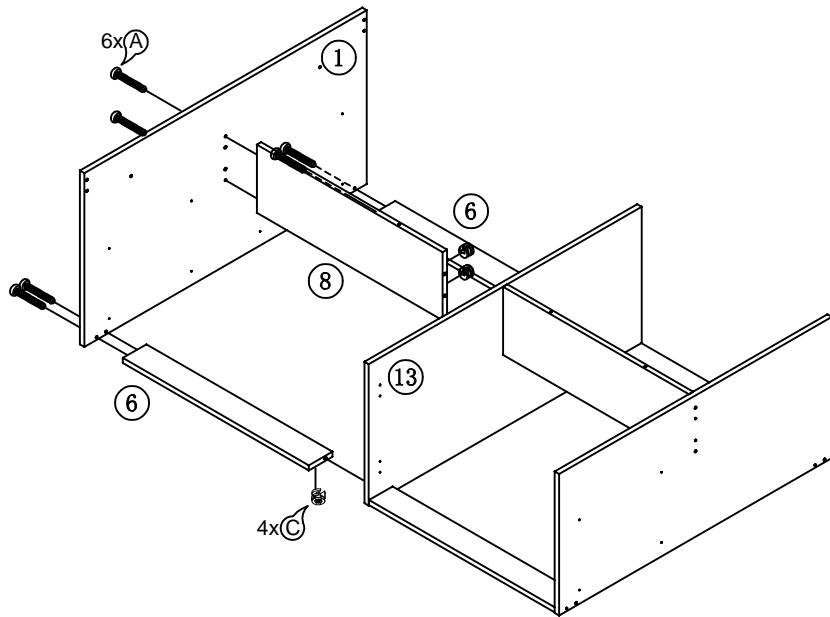
1



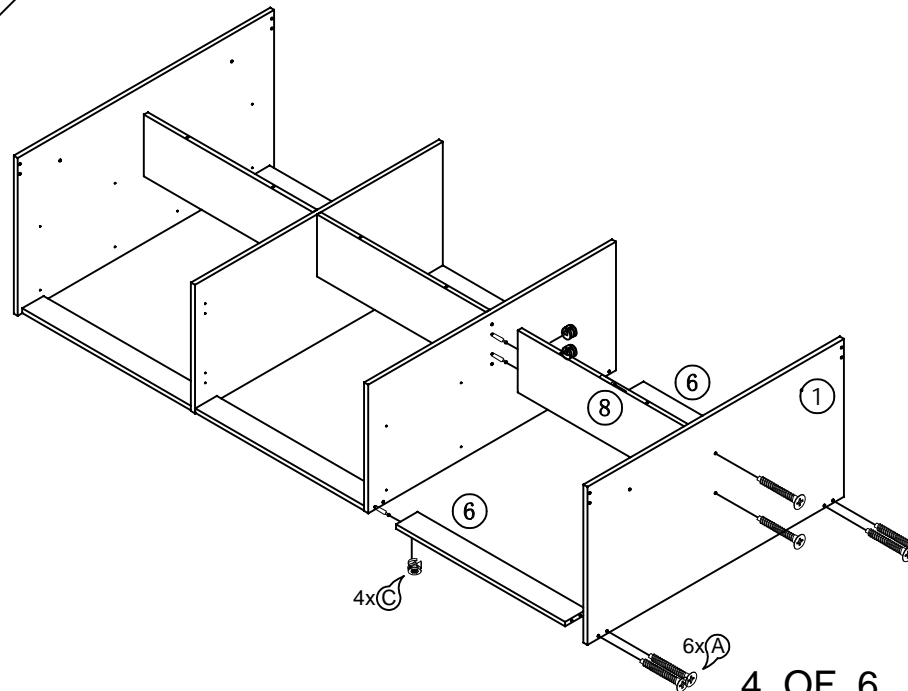
2



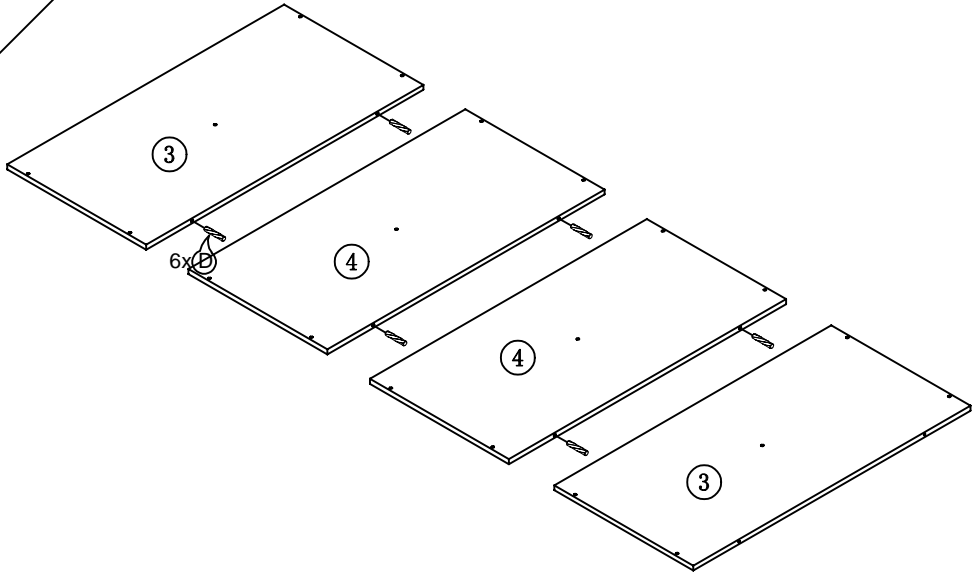
3



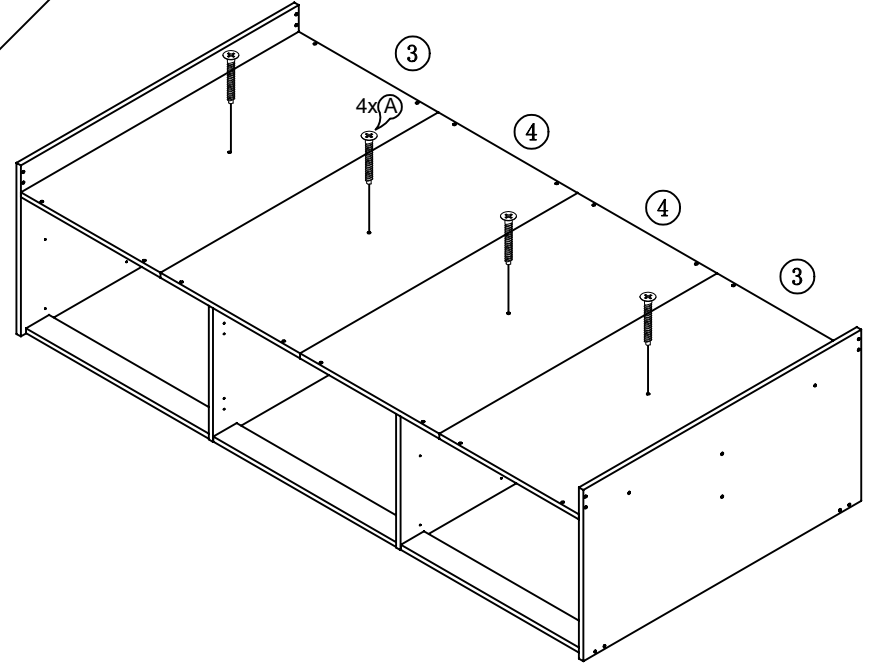
4



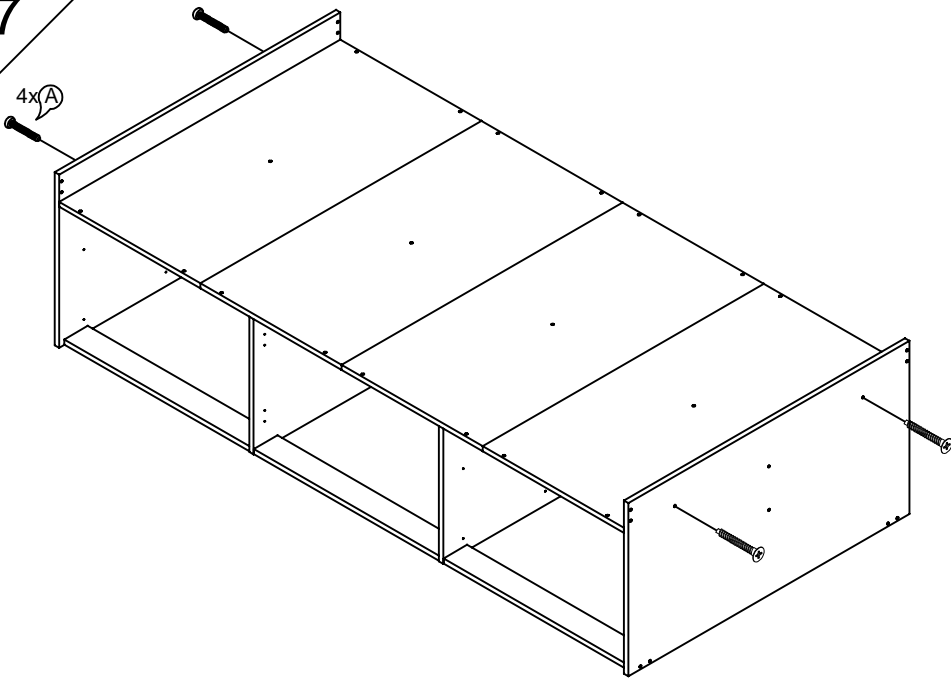
5



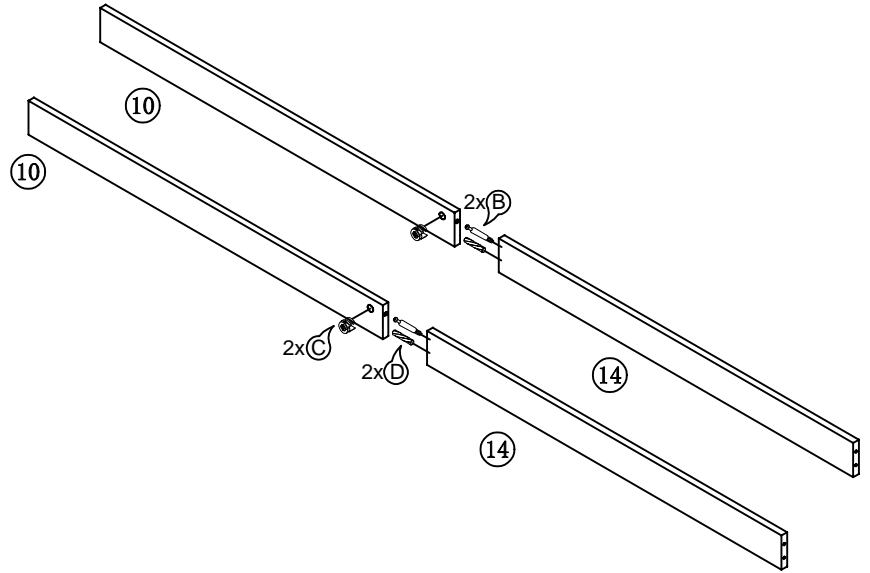
6



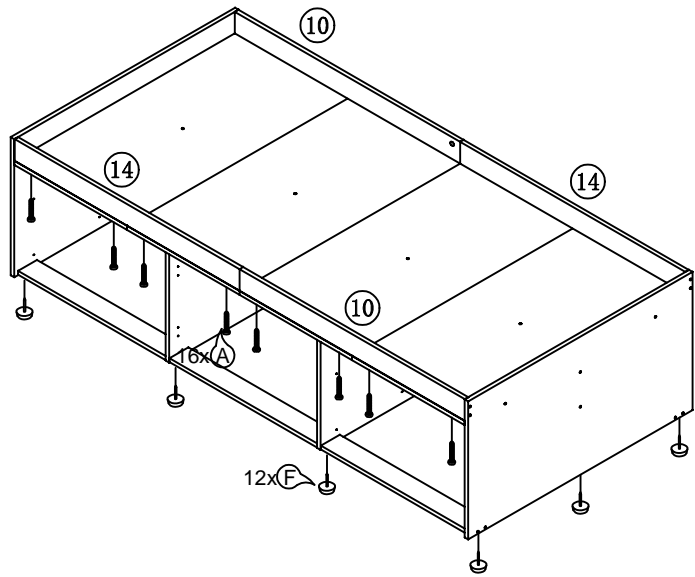
7



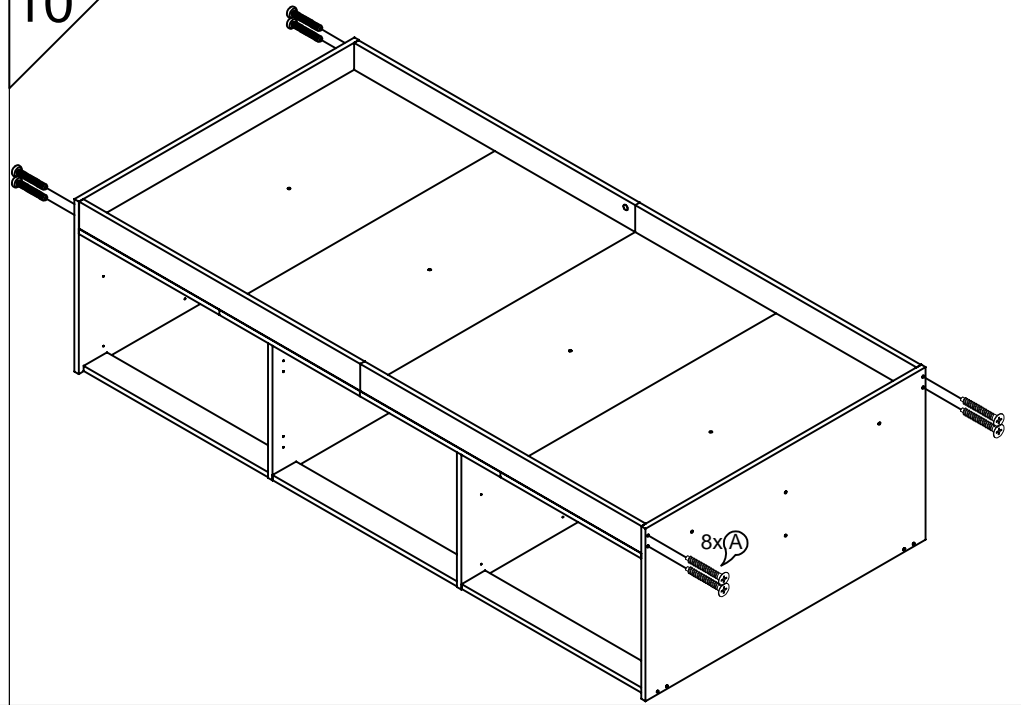
8



9



10



11

