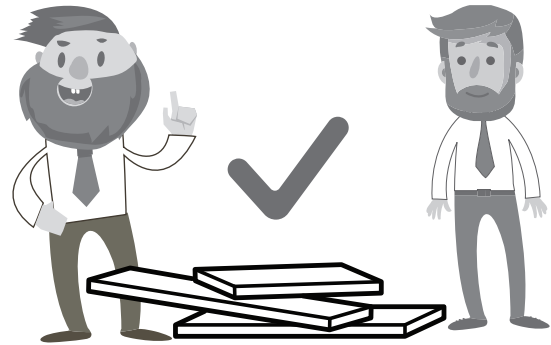
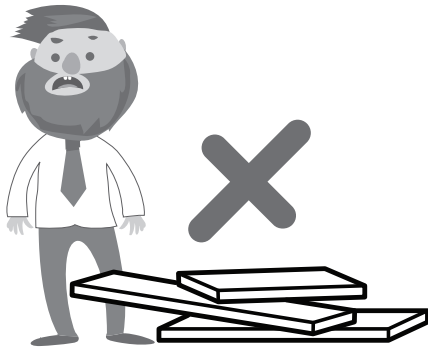


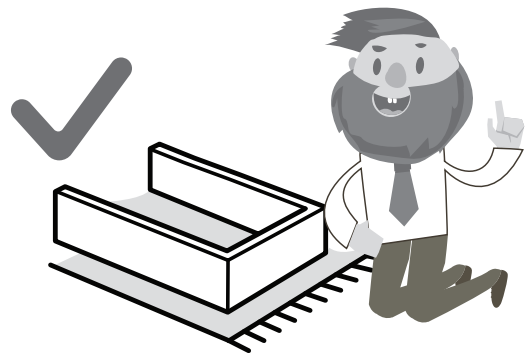
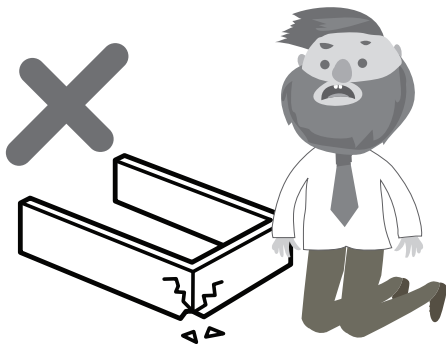
These tools are not necessary, but may help to assemble certain parts of the product.

Do NOT use any power tools as this may damage the frame.

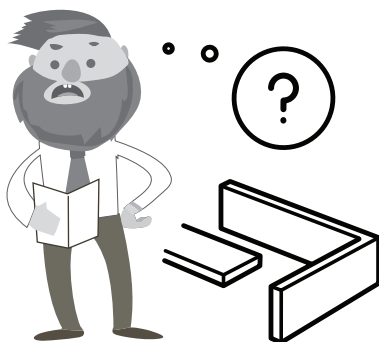
(Not metal)



This product or some parts of this product will be heavy. Please use an assistant when lifting.



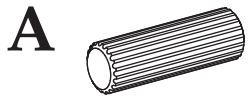
Never drag or push the pieces across a hard or stone floor as this will cause damage to the joints. Use a carpet or a rug for extra care.



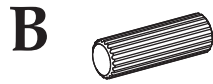
If you have problems assembling or have damaged or missing pieces, please contact us by visiting:

<https://www.happybeds.co.uk/customer-service>

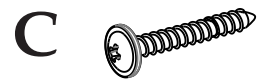
# HARDWARE



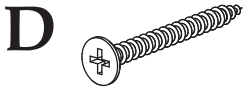
Wooden dowel x 04  
10 x 40mm



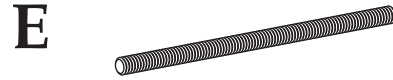
Wooden dowel x 28  
8 x 35mm



4.5 x 50mm Screw x 3



4 x 35mm Screw x 30



Headless bolt 1/4 x 75mm x 4



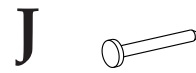
1/4 x 80mm Bolt x 4  
Cab. 17



Half moon nut 1/4 x 4



Nut 1/4 x 4



Pin 8x8 x28



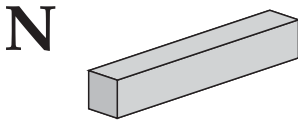
Washer x 4



Spanner x1



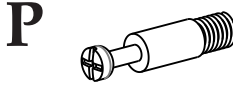
Allen key x 1



61mm Spacer x 1

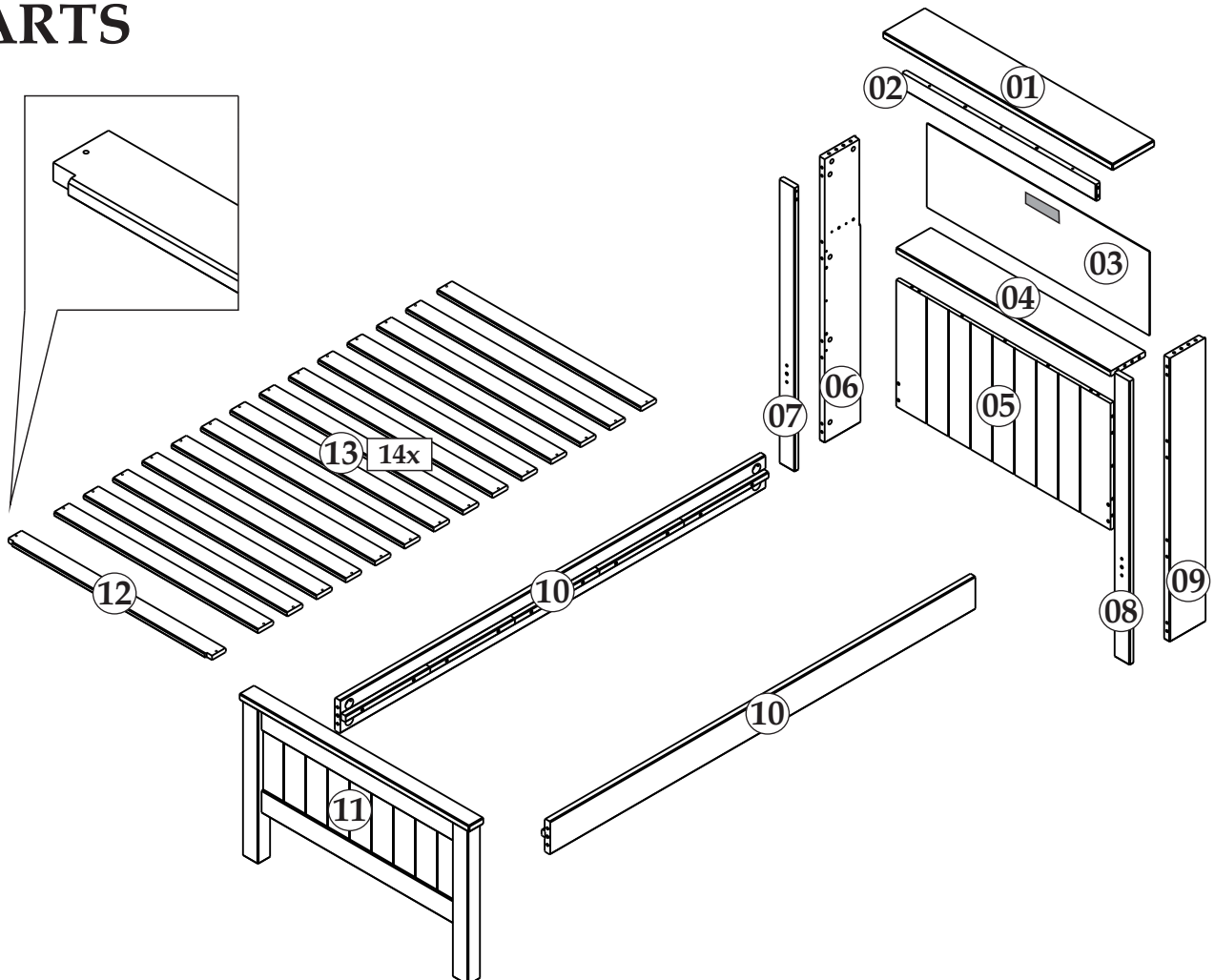


Nut x 27



Stem x 27

# PARTS



## Safety Advice

Please take the time to carefully read through the whole of these instructions before you commence.

Keep these instructions for future reference.

Unpack, inspect and check off all of the contents.

Please dispose of all packaging safely.

Small component parts could choke a child if swallowed.

We strongly recommend that you keep children well away from the work area.

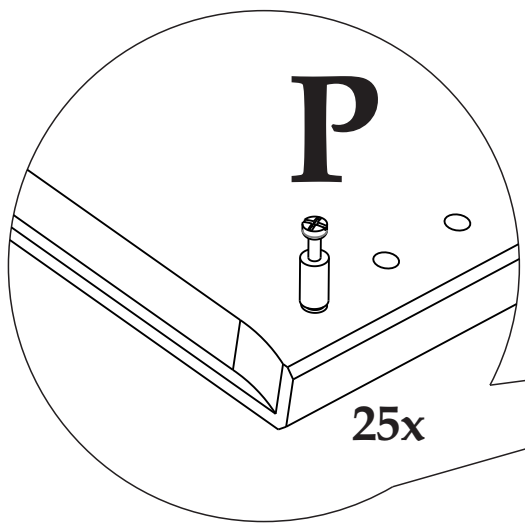
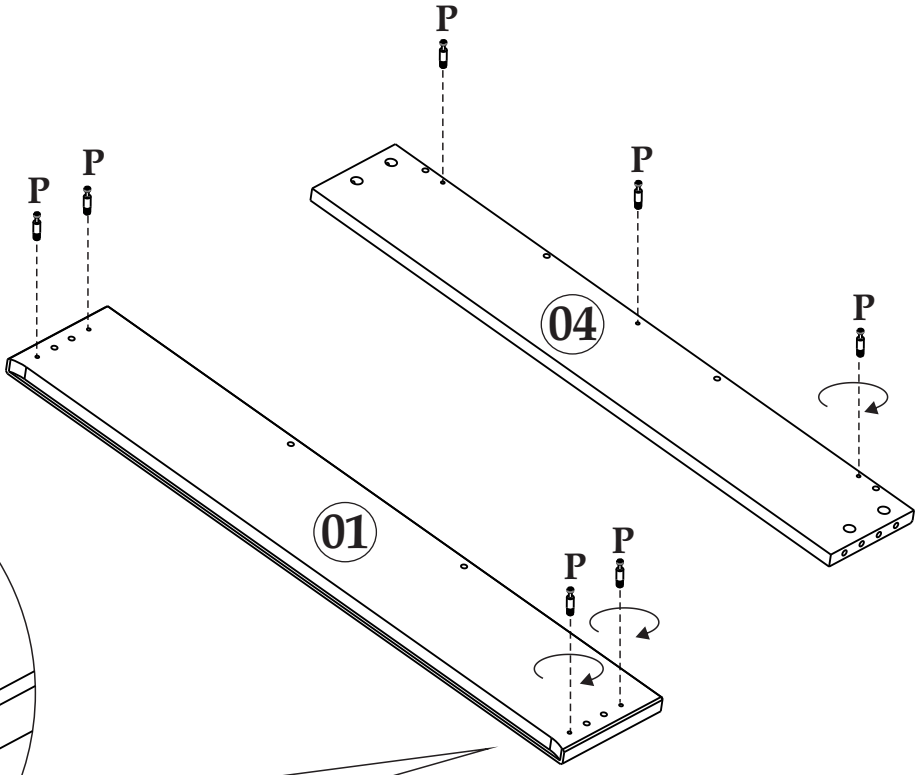
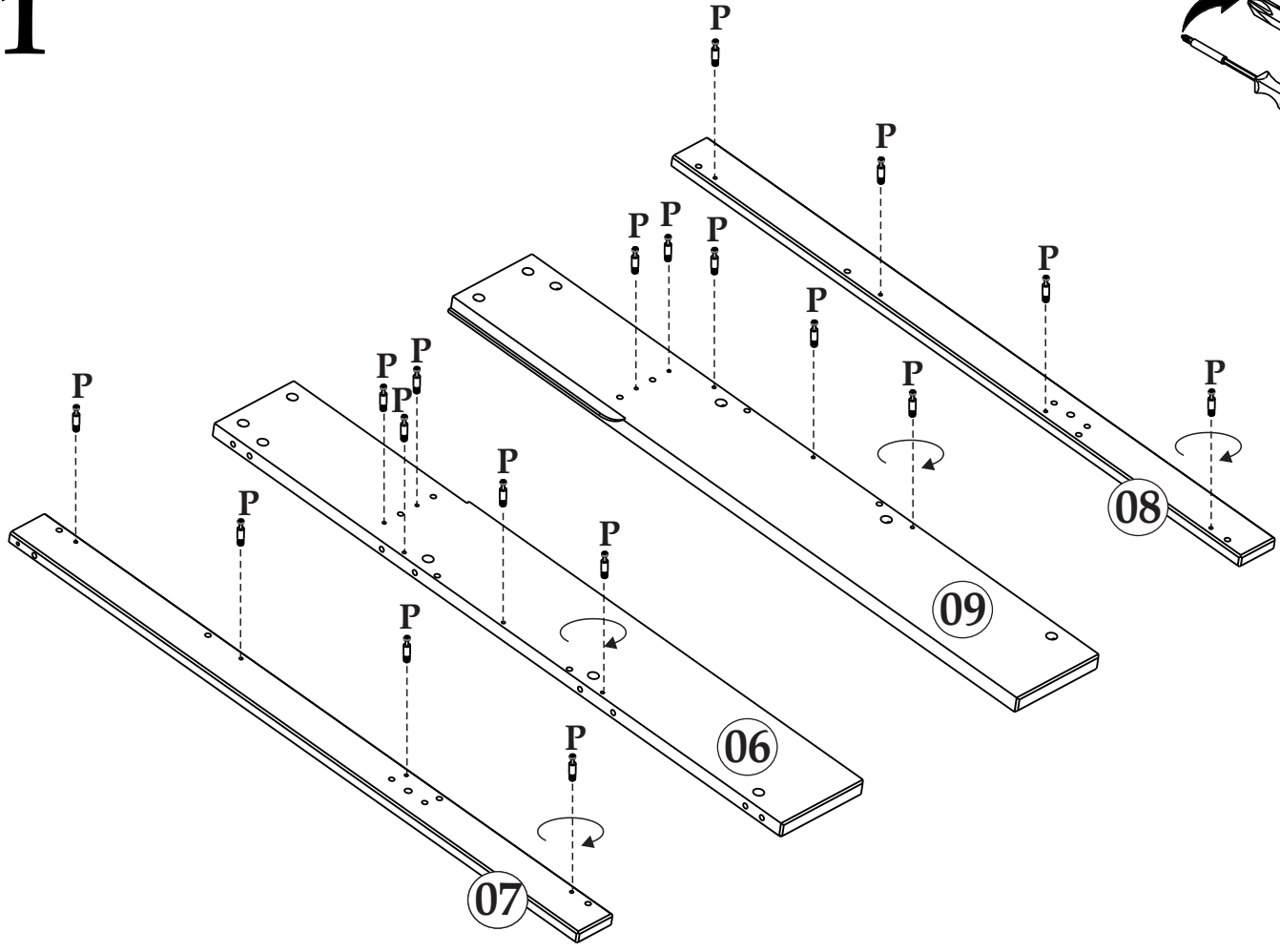
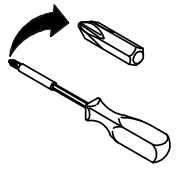
It would be sensible to lay a sheet or blanket on the floor where you intend to work to avoid scratching this product and to protect your floor.

This product is heavy. Take extreme care when lifting to avoid personal injury or damage to the product.

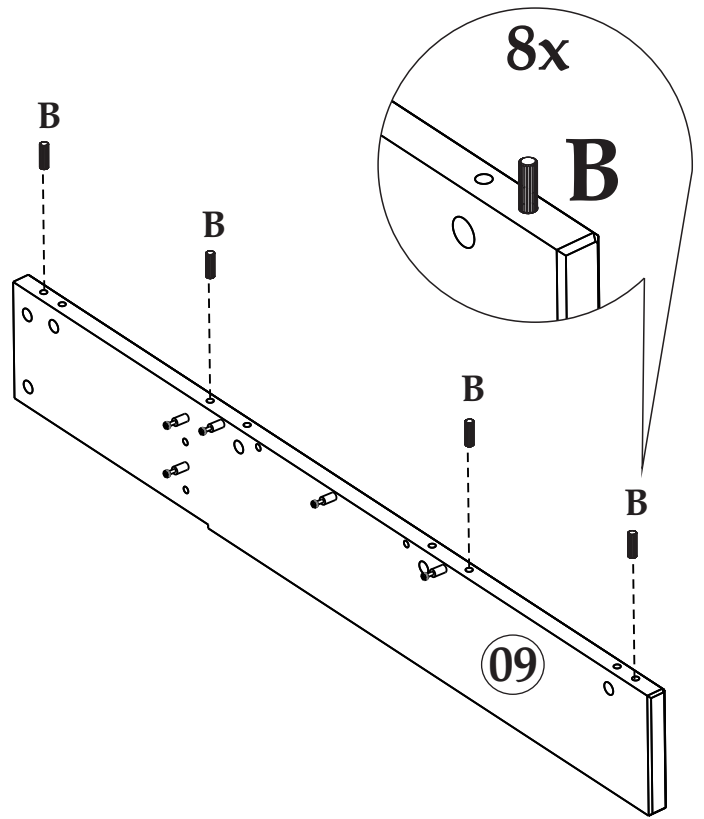
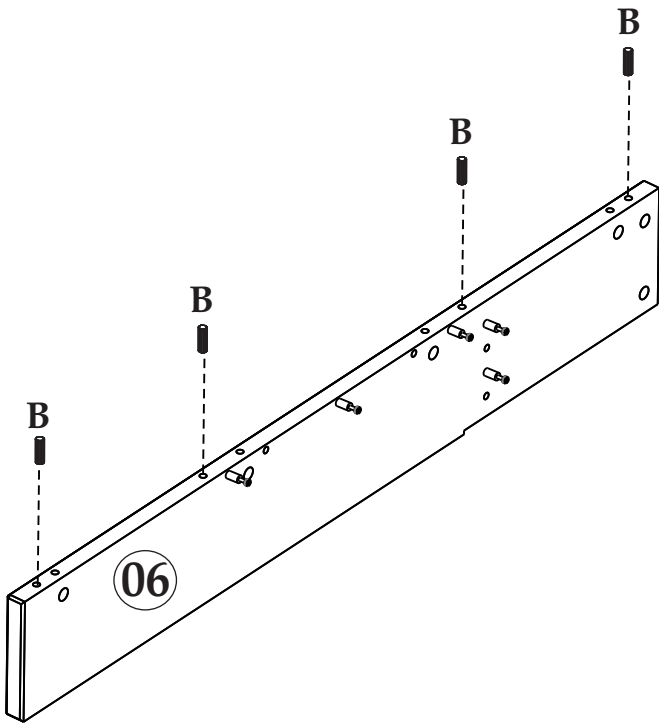
Assemble the product as close to its intended final position in the room as possible.

**HANDY HINT:** If you keep the hardware in a bowl during assembly you will be less likely to lose them.

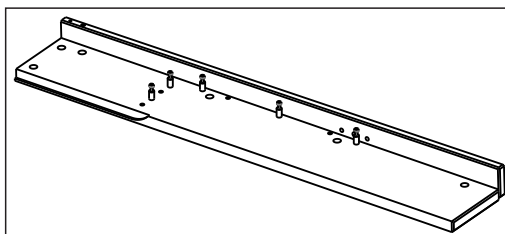
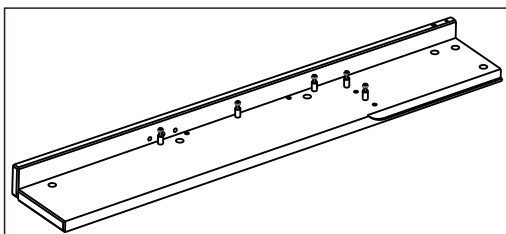
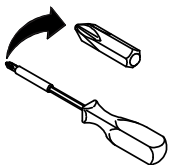
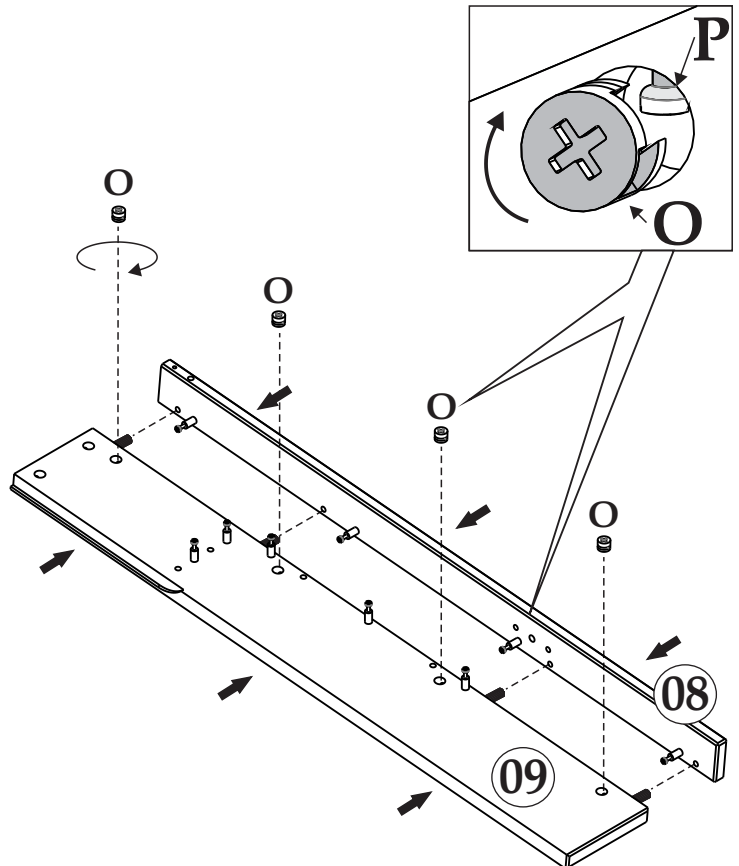
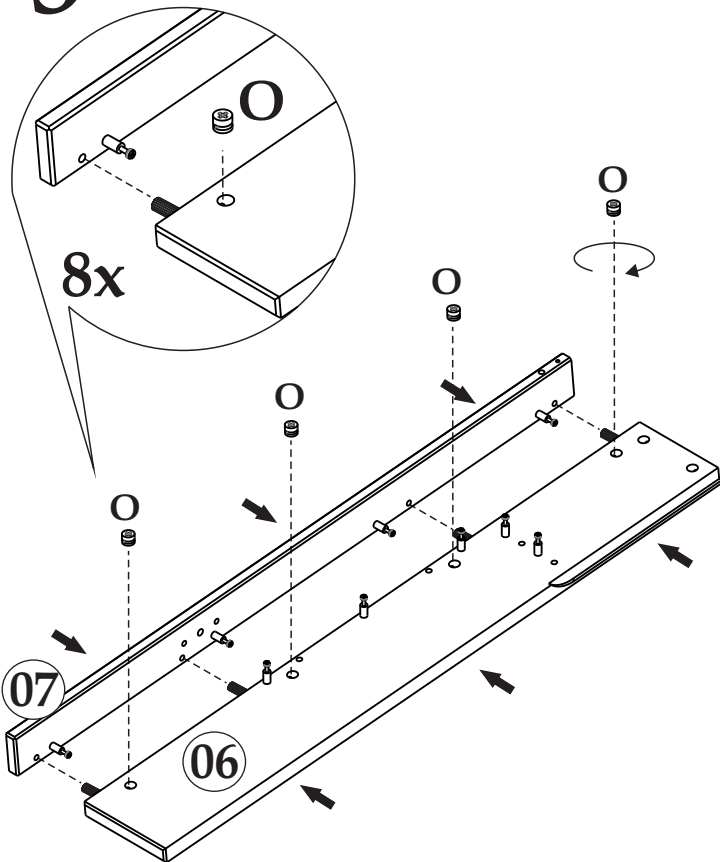
# 1

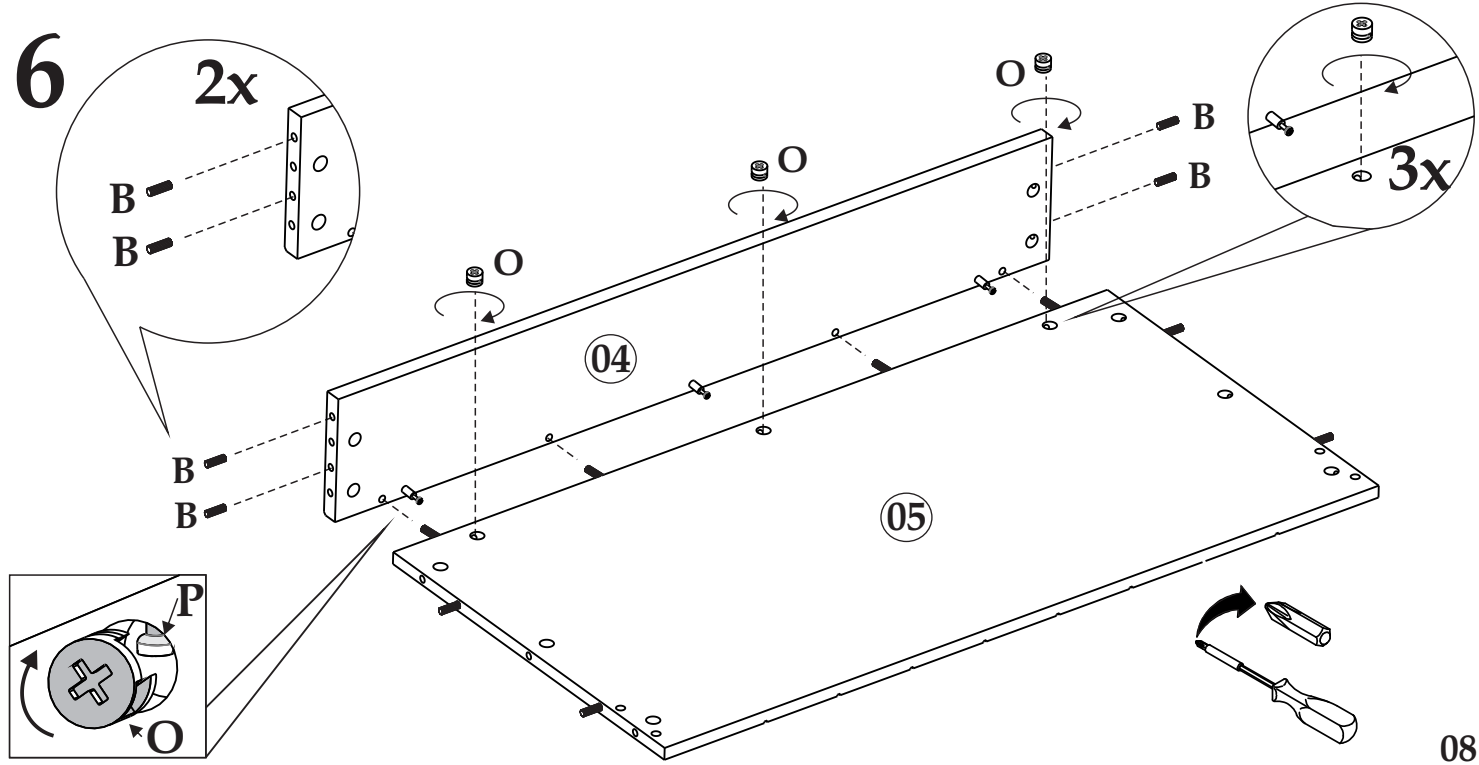
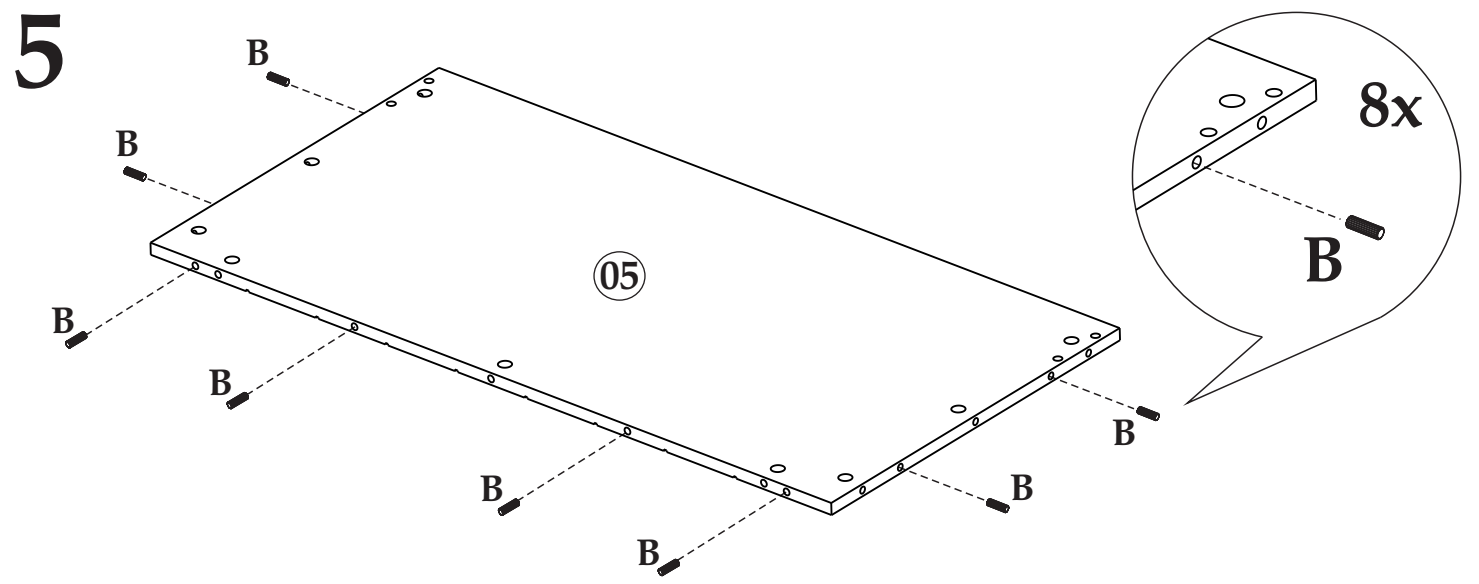
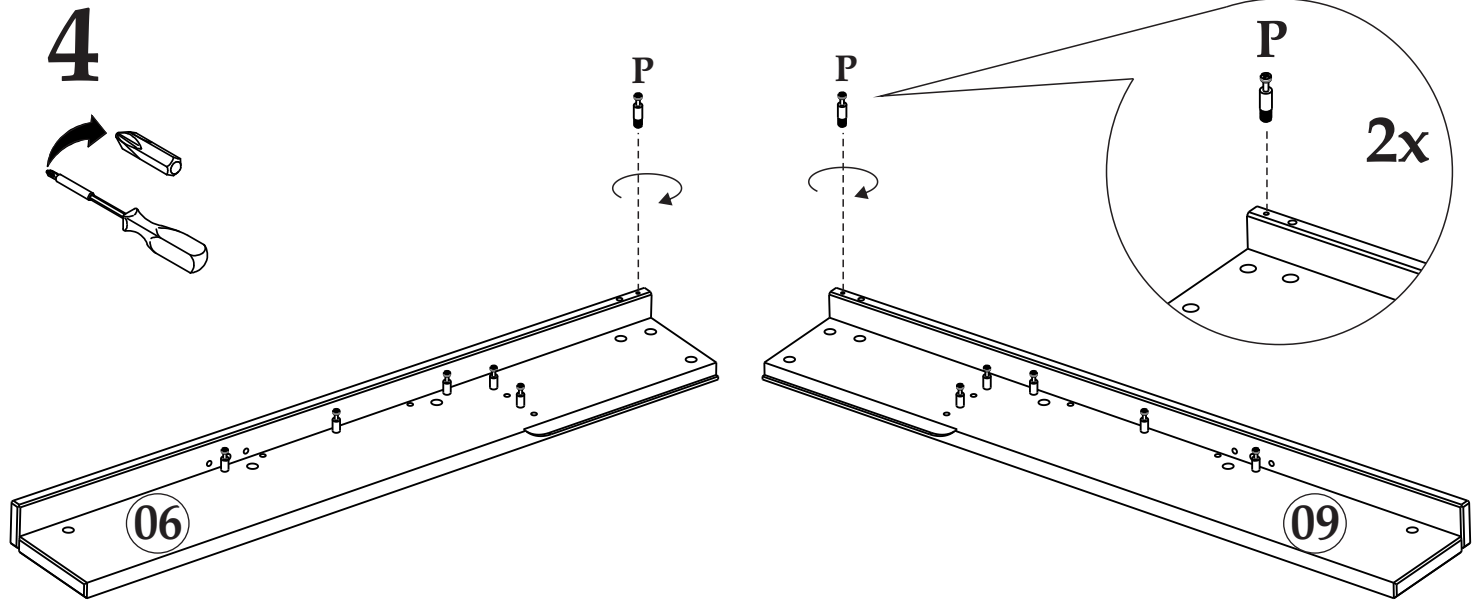


# 2

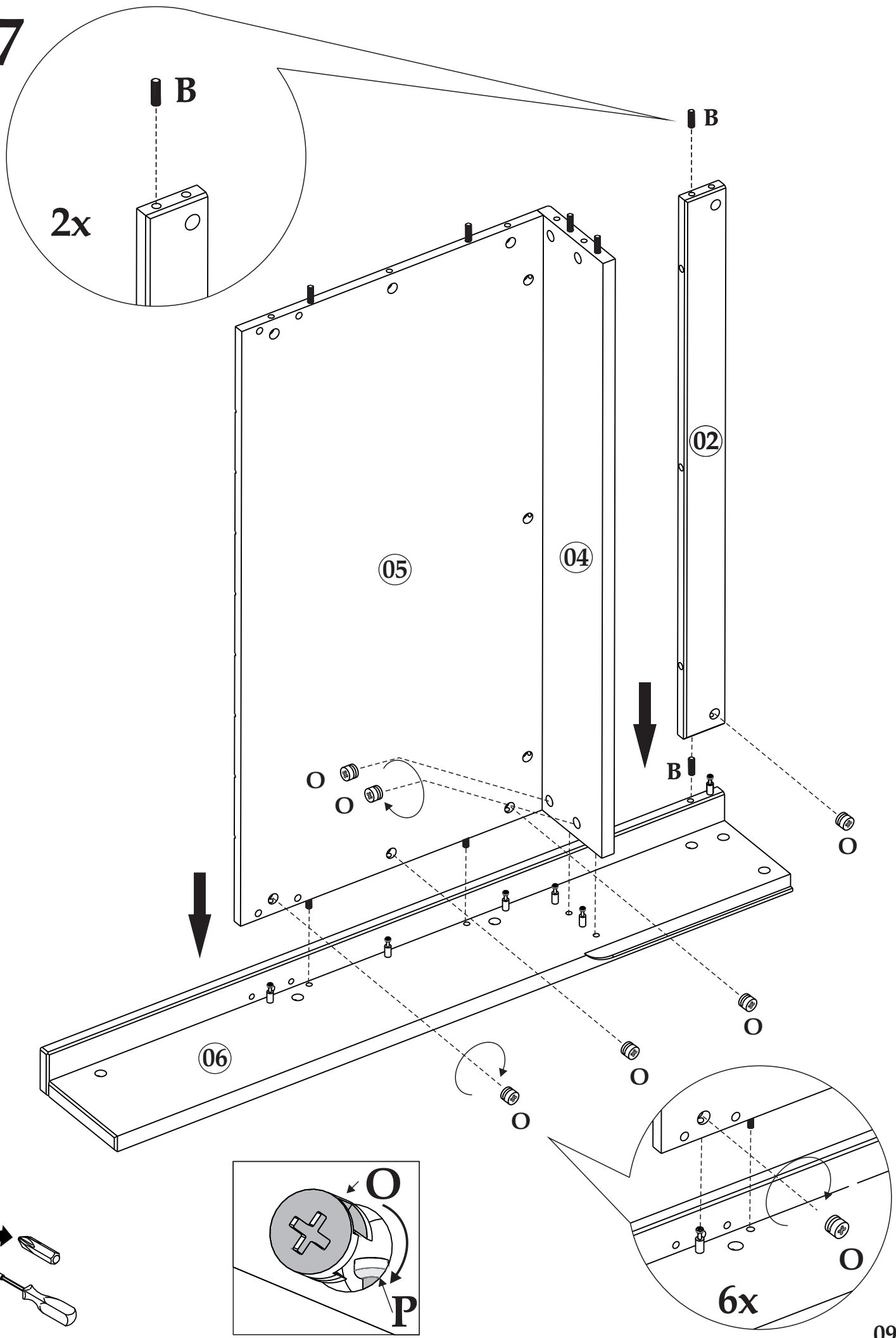


# 3

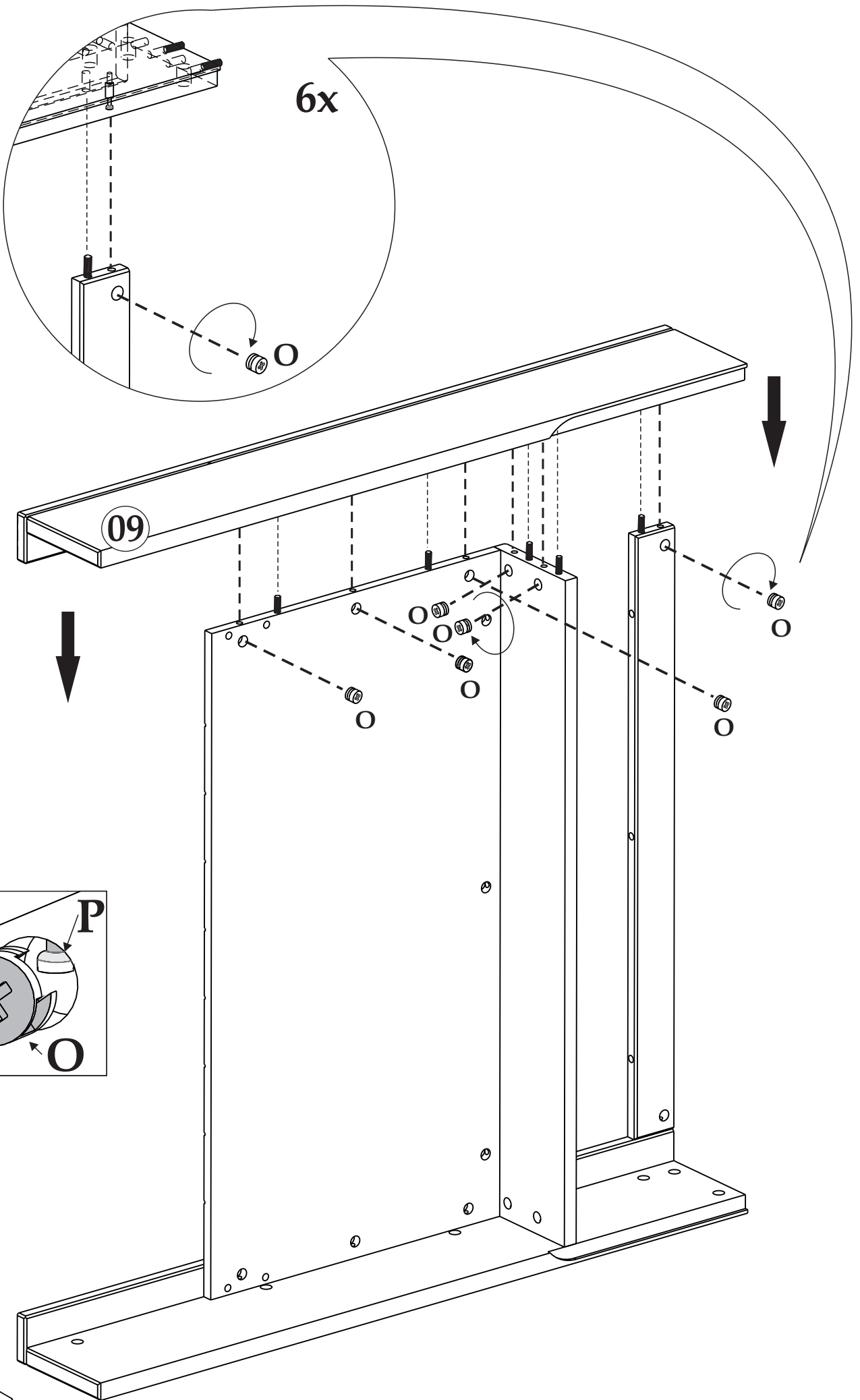




7

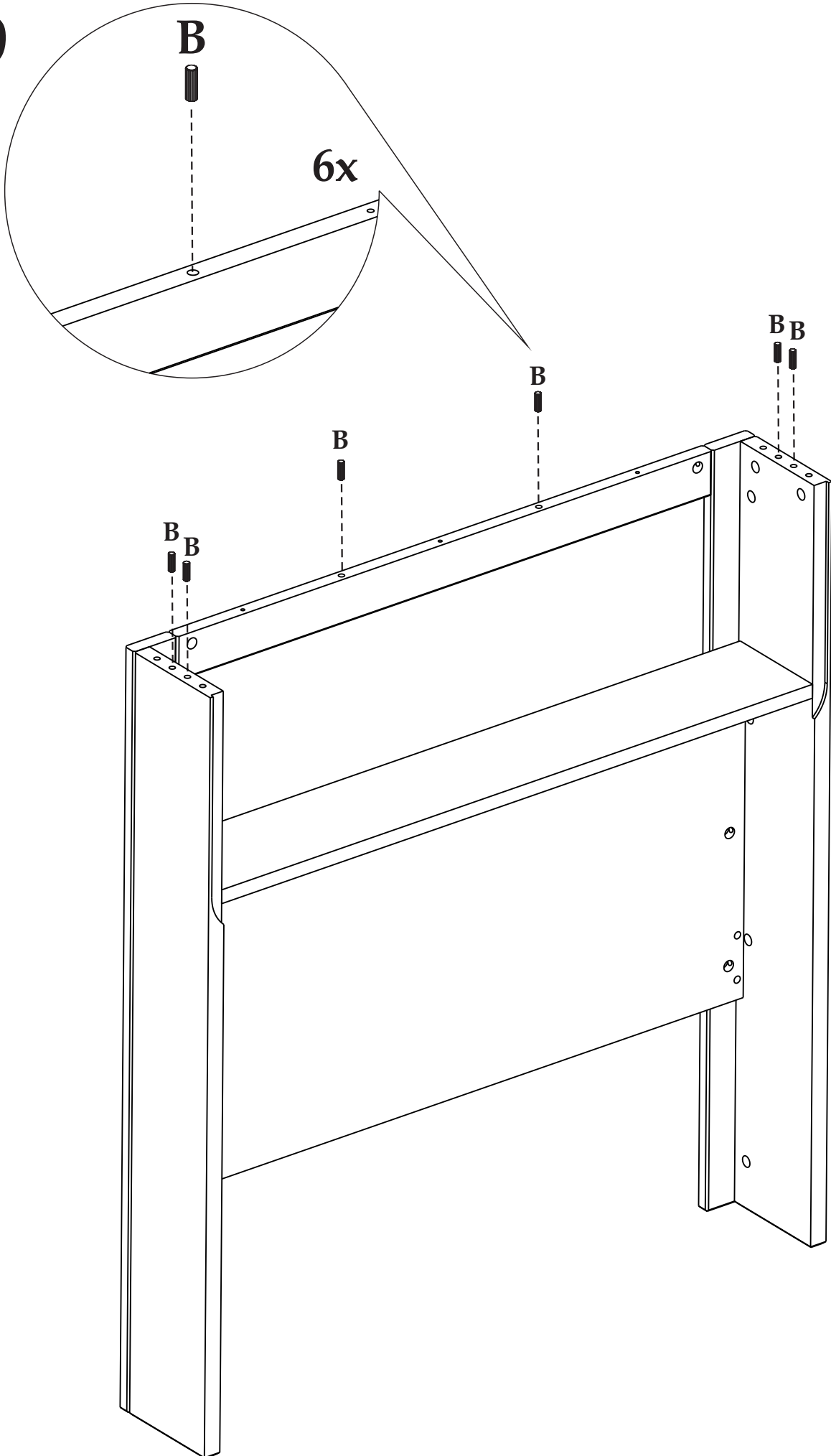


8





9



10

2x

01

C

C

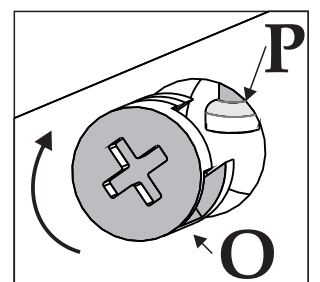
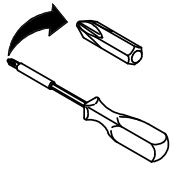
C

3x

C

P

O

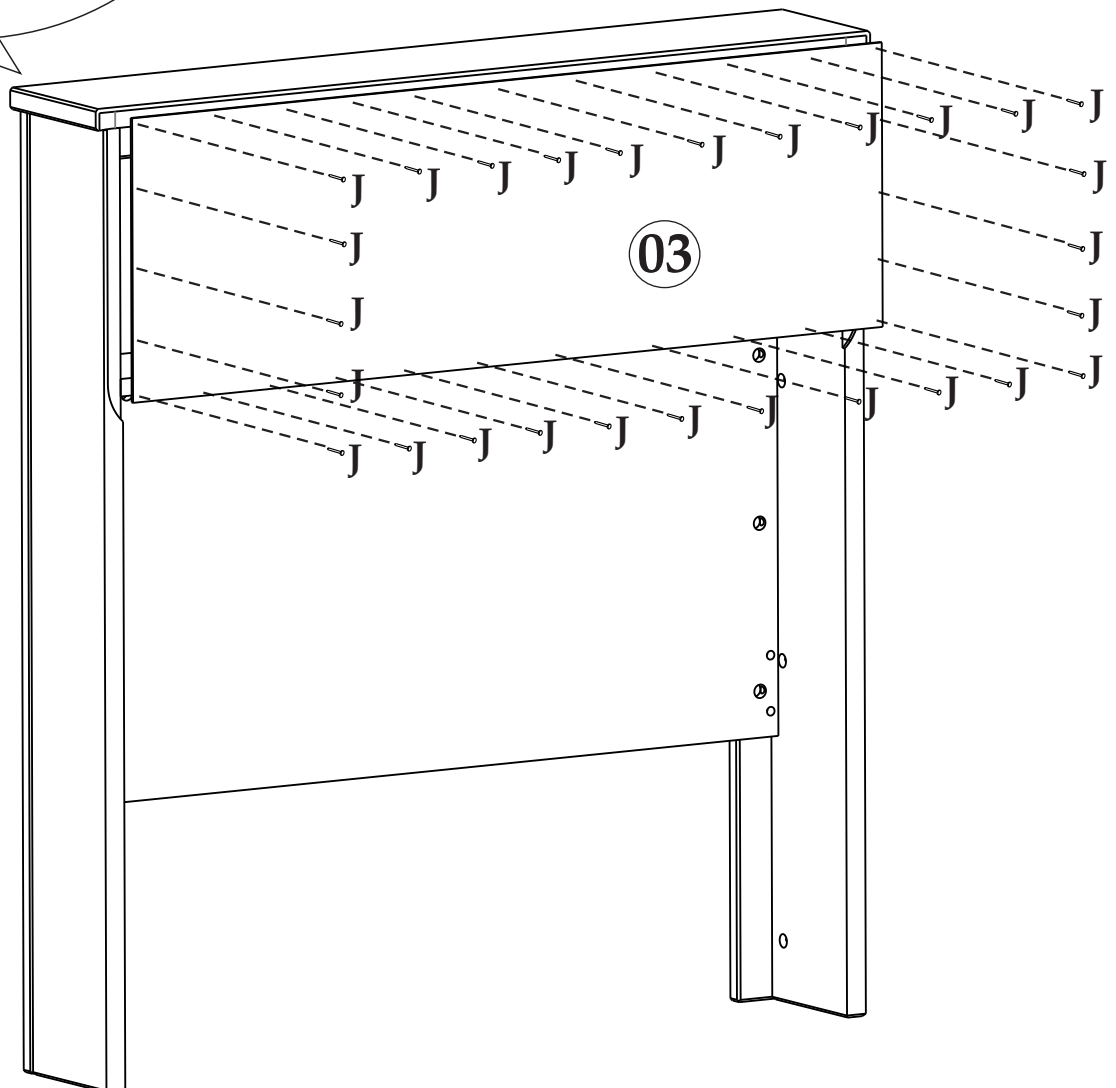
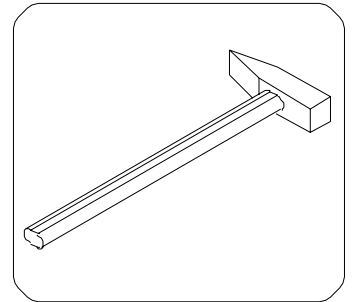
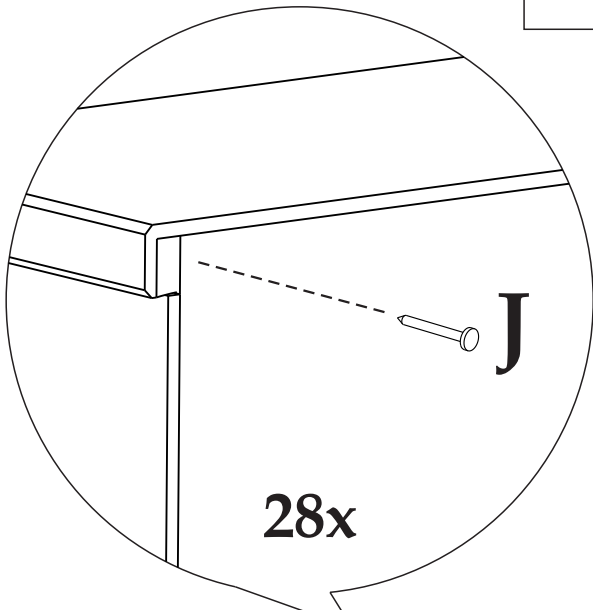
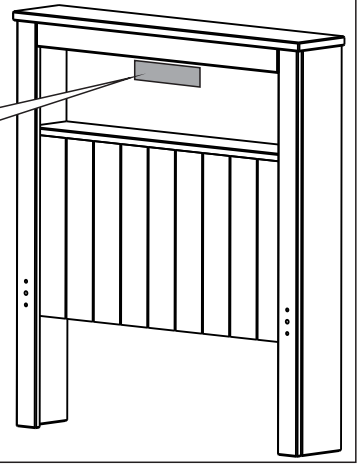


# 11

**MAINE BOOKCASE BED 90cm**  
Product Code: MAI013/ MAI113  
Distributed by : Julian Bowen Limited  
Bentnick House,  
Park Lane Business Park,  
Kirkby-in-Ashfield,  
Notts, NG17 9LE  
Factory ID: Manufactured in Brazil  
Date of Manufacture: February 2019

**CERTIFICATION LABEL**  
This childrens bed has been tested  
by an independent laboratory and is in  
compliance with BS8509:2008 + A1:2011  
Standard Consumer Safety  
Specification For Junior Beds

**WARNING: This bed is not suitable for children under 4 years**



# 12

4x

A

A

A

10

10

A

A

# 13

11

E

E

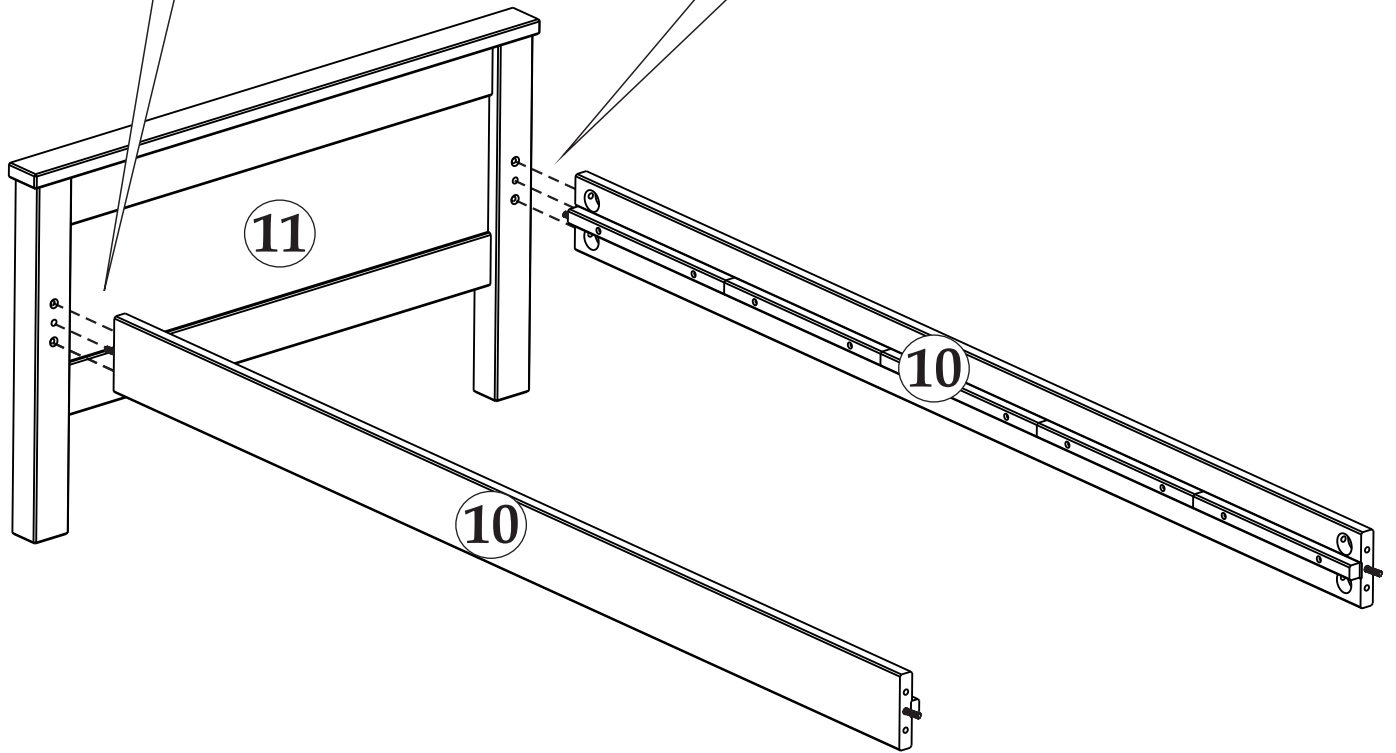
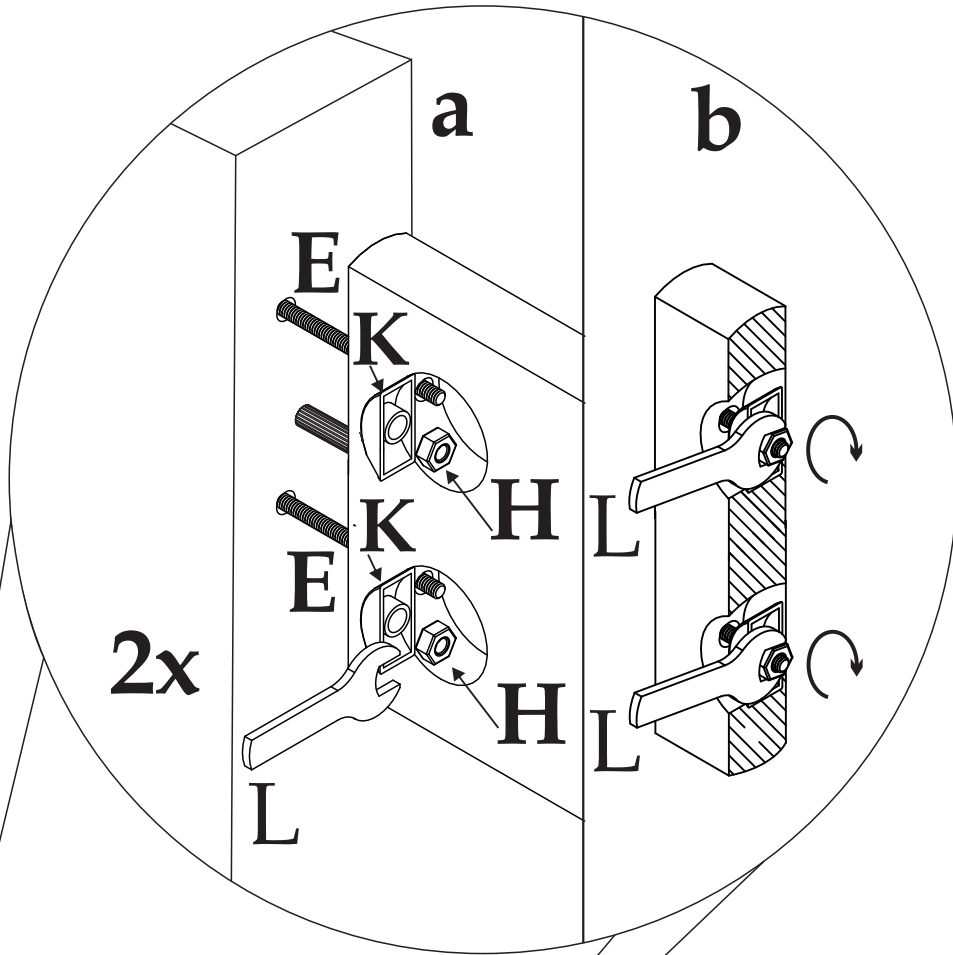
E

E

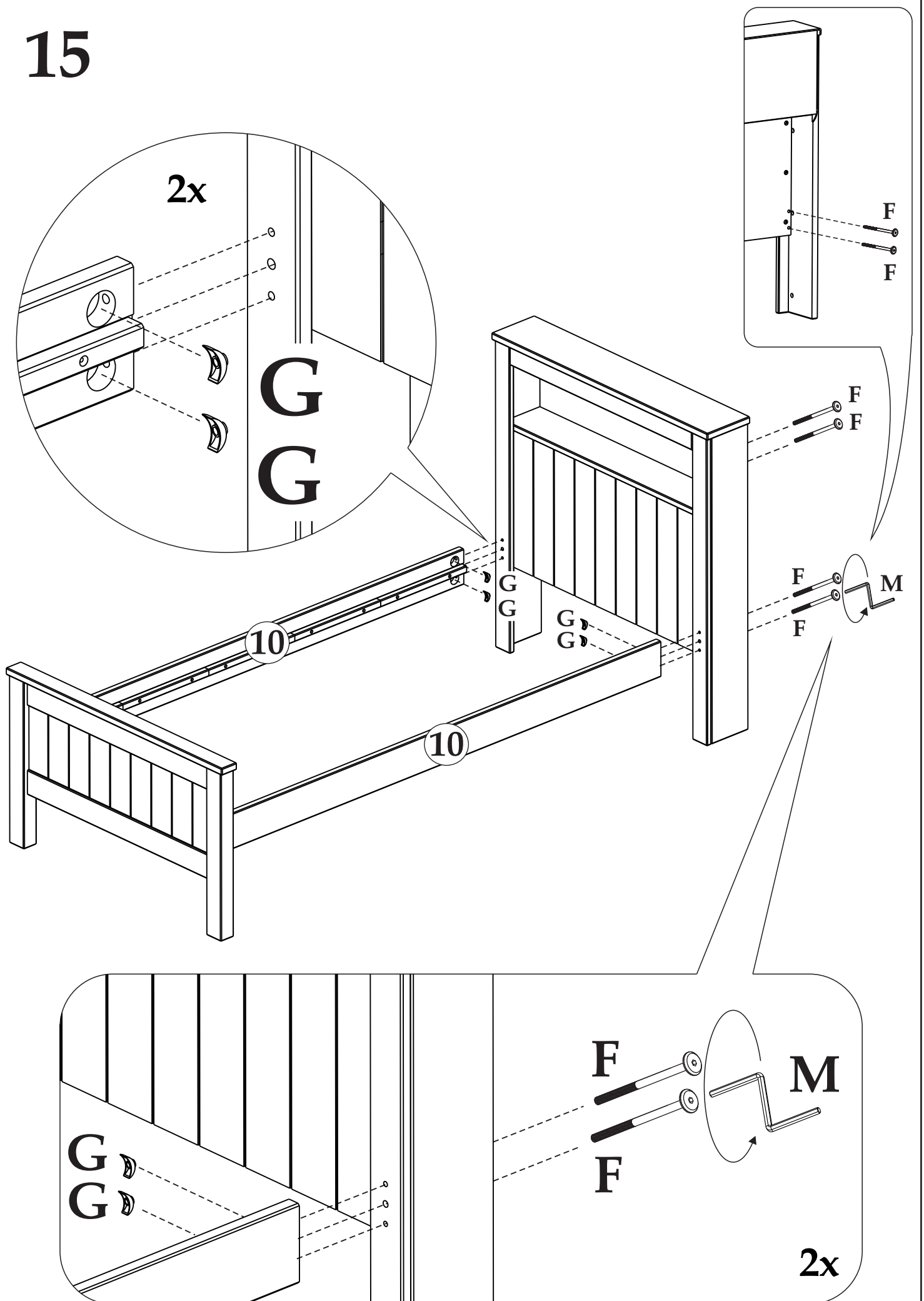
E

2x

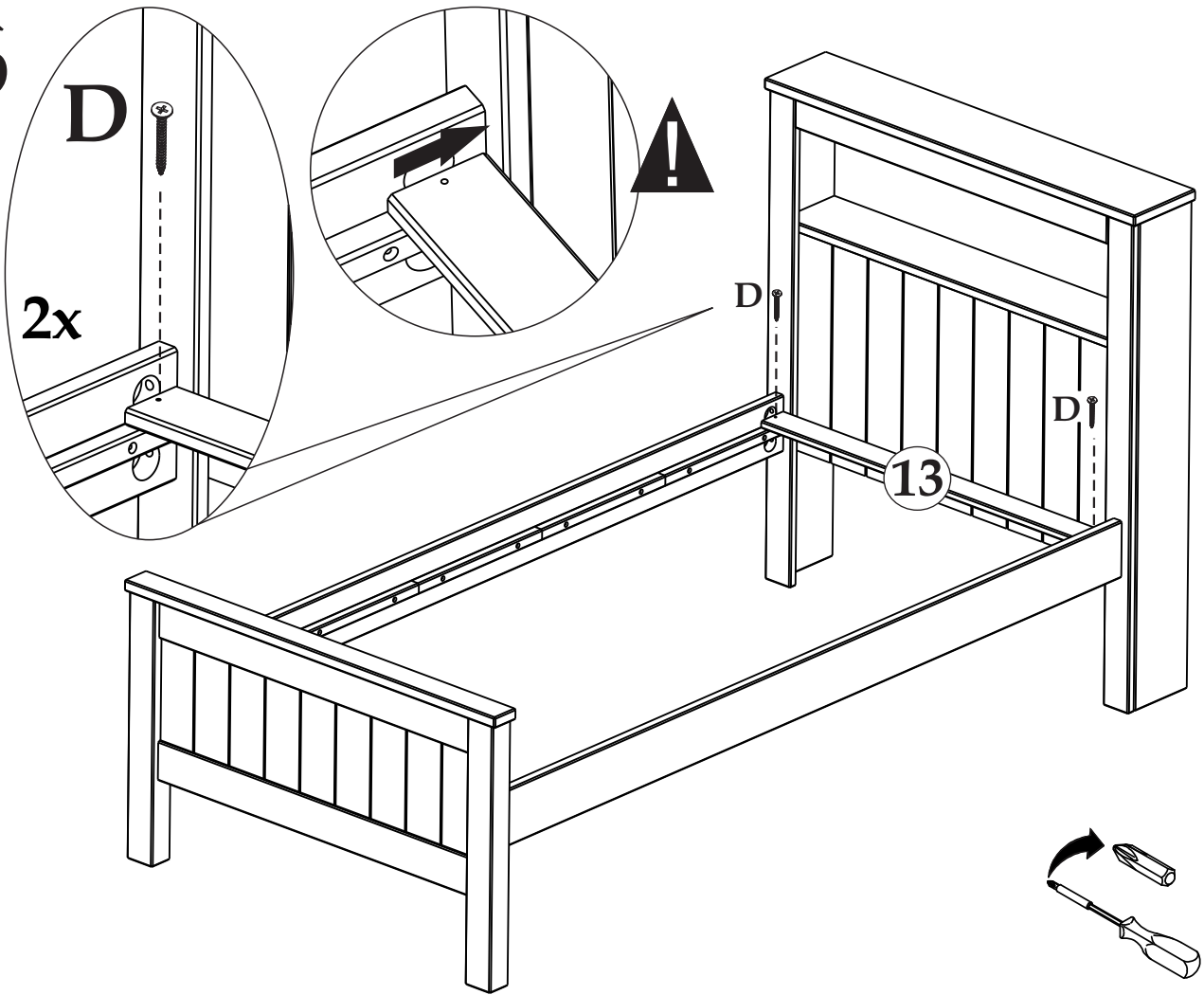
14



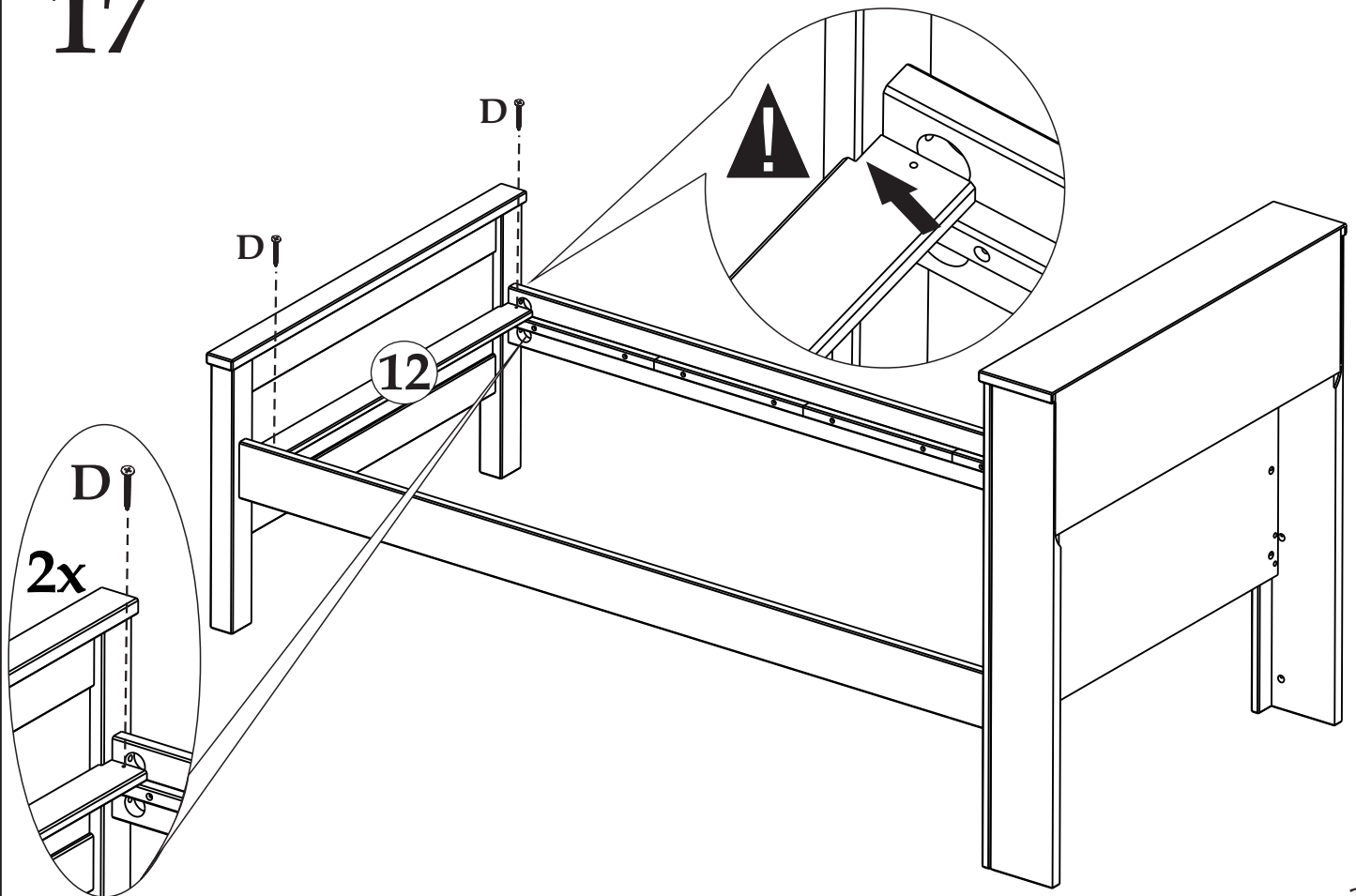
# 15



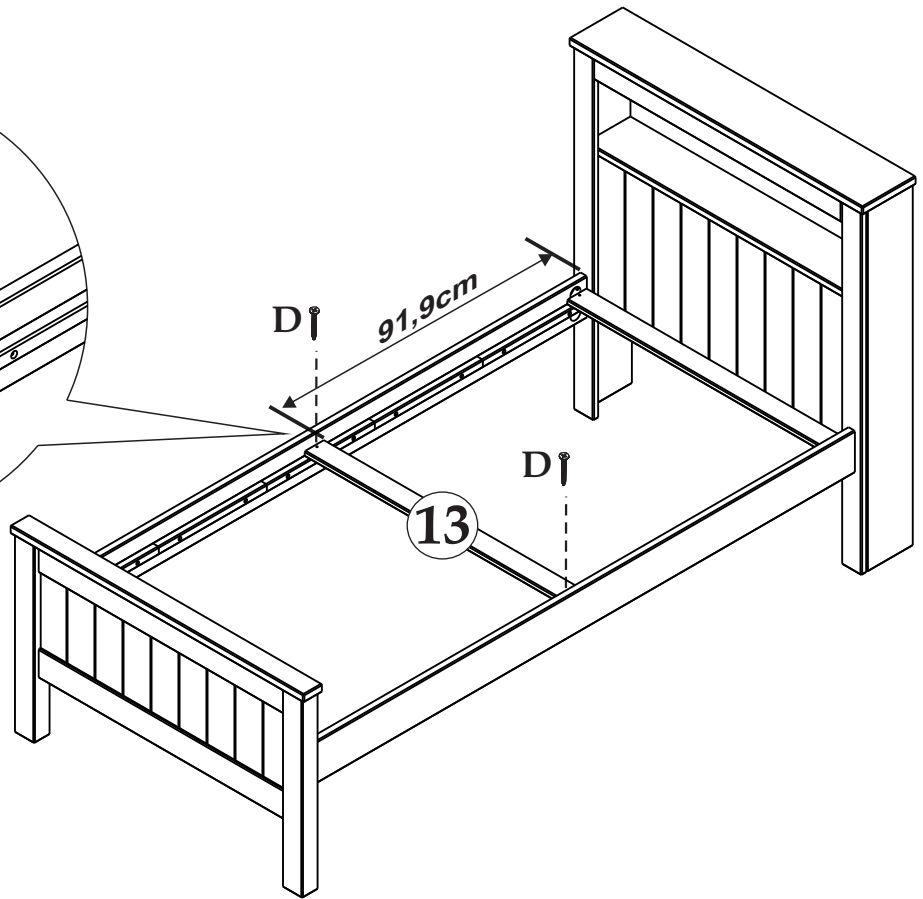
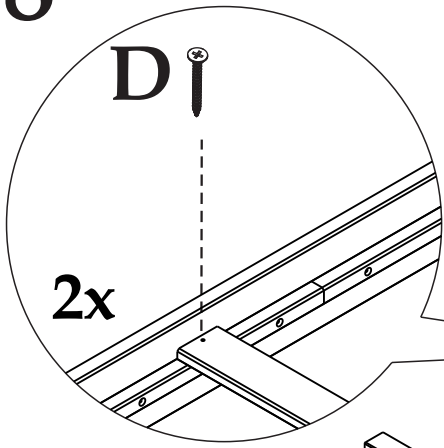
16



17



# 18



# 19

