

Millie & Jones.

Assembly Guide

Before Assembly

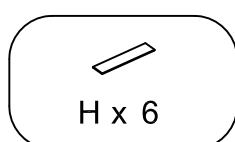
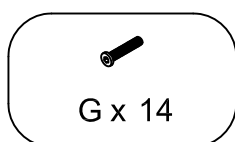
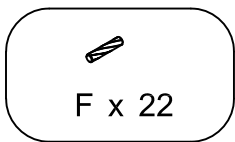
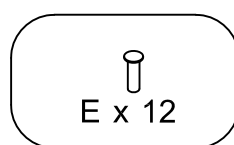
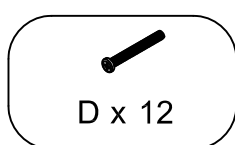
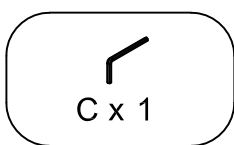
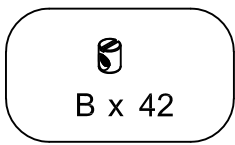
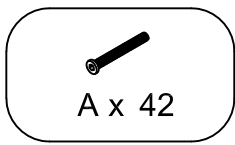
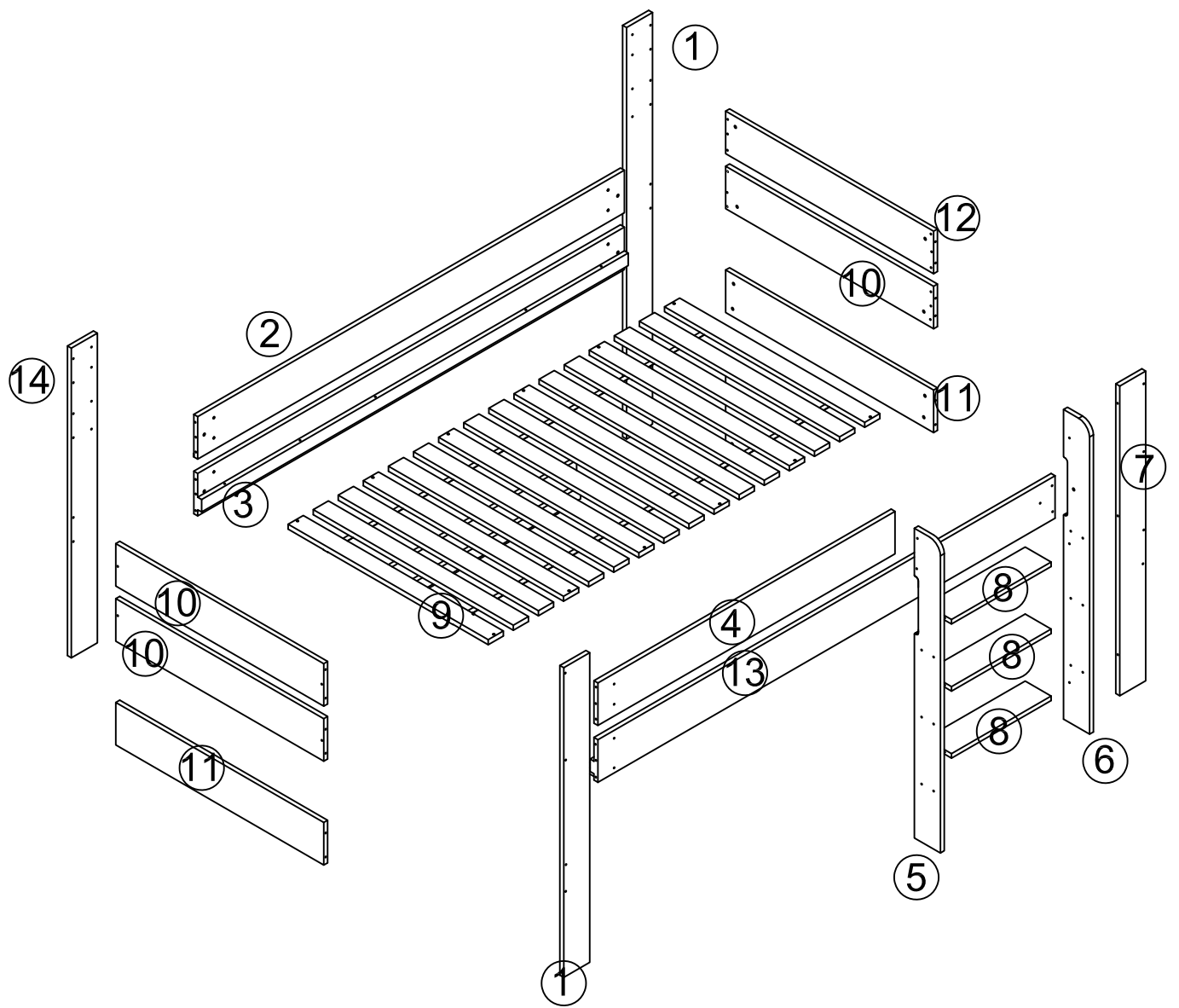
- Check Parts - Unpack and ensure all parts are included and undamaged.
- Read Instructions - Review the guide fully before starting.
- Prepare the Space - Clear the area and assemble on a soft surface to prevent damage.
- Gather Tools - Use only the recommended tools.
- Get Help - Larger items may require two people.

Health & Safety

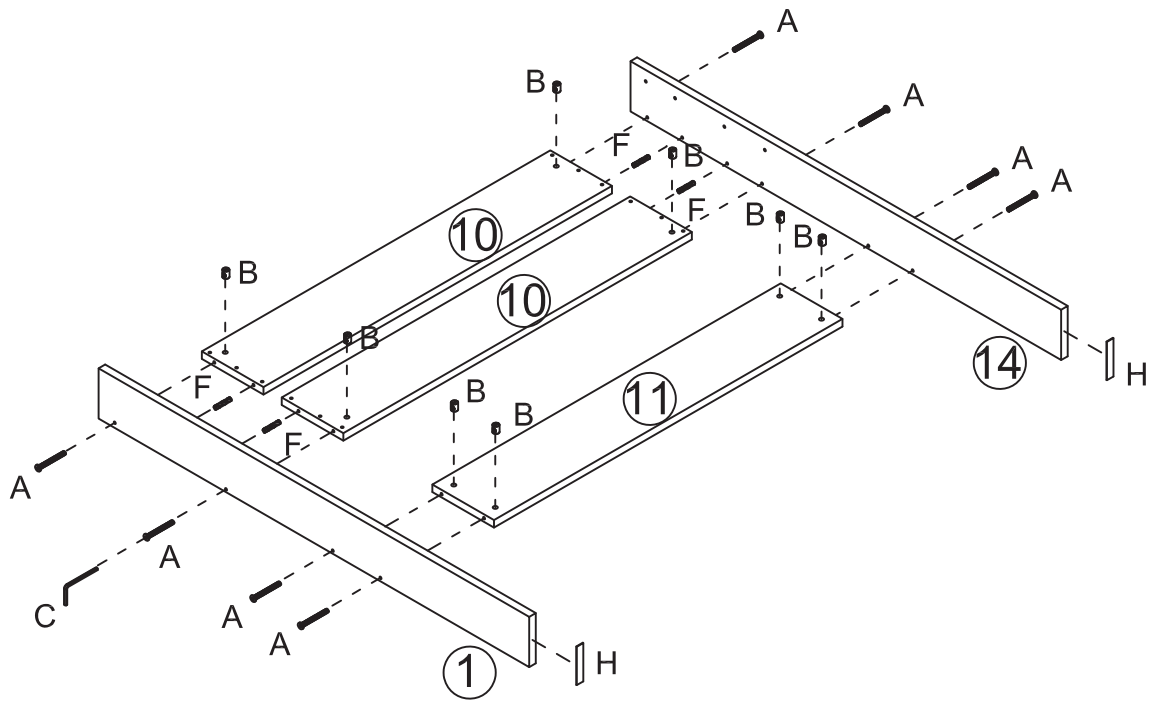
- Keep Kids & Pets Away - Ensure a safe workspace.
- Lift Safely - Avoid strain; lift with care or get assistance.
- Wear Protection - Gloves help prevent injuries.
- Secure Loose Clothing - Avoid anything that could get caught.
- Handle Small Parts Carefully - Keep screws and fittings away from children.
- Dispose of Packaging Safely - Recycle and keep plastic bags out of reach.

IMPORTANT – READ CAREFULLY – RETAIN FOR FUTURE REFERENCE

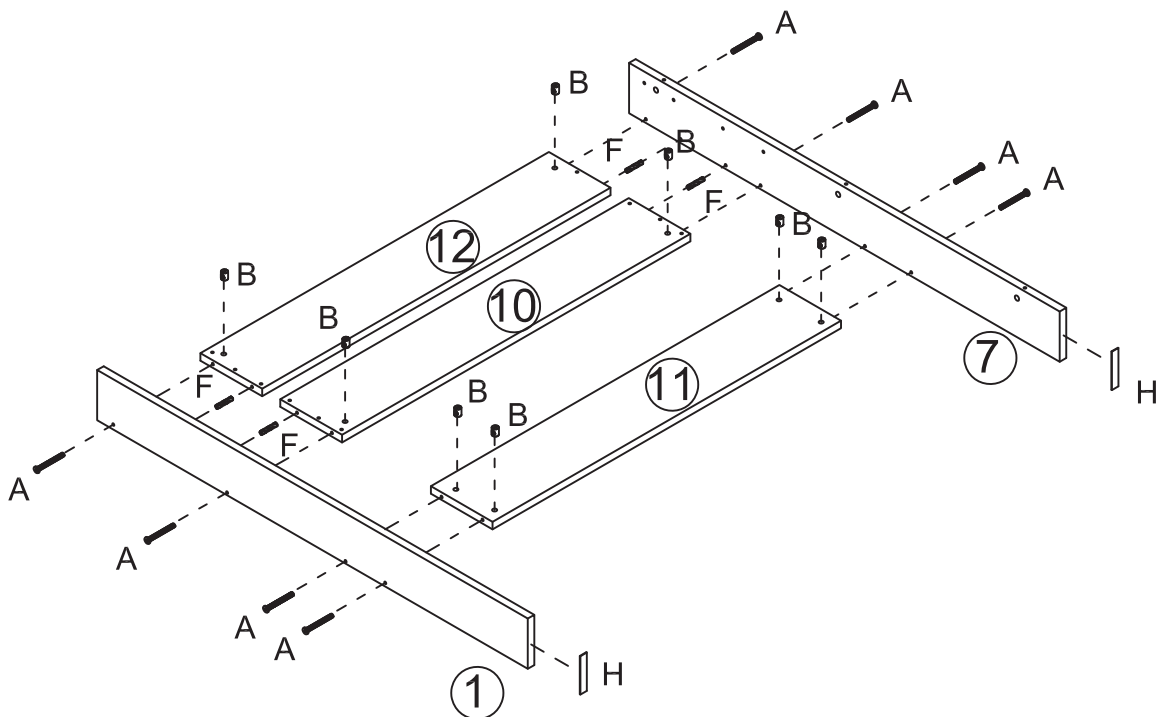
- A. WARNING – High beds and the upper bed of bunk beds are not suitable for children under six years due to the risk of injury from falls.
- B. WARNING – Bunk beds and high beds can present a serious risk of injury from strangulation if not used correctly. Never attach or hang items to any part of the bunk bed that are not designed to be used with the bed, for example, but not limited to ropes, strings, cords, hooks, belts and bags.
- C. WARNING – Children can become trapped between the bed and the wall, a roof pitch, the ceiling, adjoining pieces of furniture (e.g cupboards) and the like. To avoid risk of serious injury the distance between the top safety barrier and adjoining structure shall not exceed 75 mm or shall be more than 230 mm.
- D. WARNING – Do not use the bunk bed/high bed if any structural part is broken or missing.
- E. Always follow the manufacturer's instructions.
- F. The recommended size of the mattress Height 150 mm x Width 900 mm x Depth 1900 mm.
- G. The room upon which the item is placed should be well ventilated to keep the humidity low to prevent mould in and around the bed.
- H. The maximum thickness of the mattress should be 150 mm.
- I. Regularly check that all fastenings and fittings are properly tightened.
- J. European Standard - **EN 747-1:2012+A1:2015**



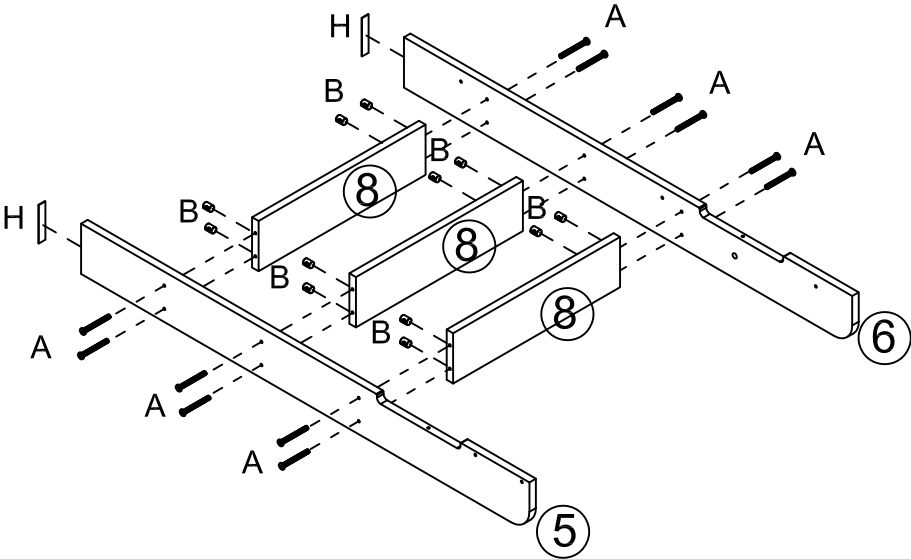
Step 1



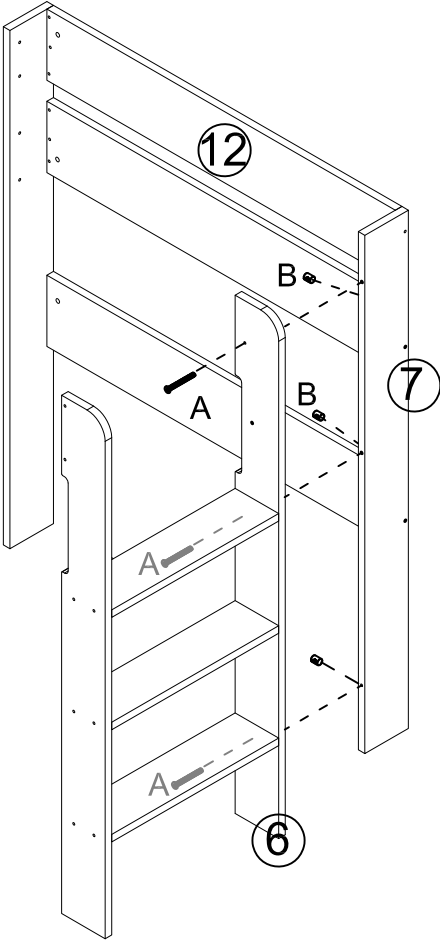
Step 2



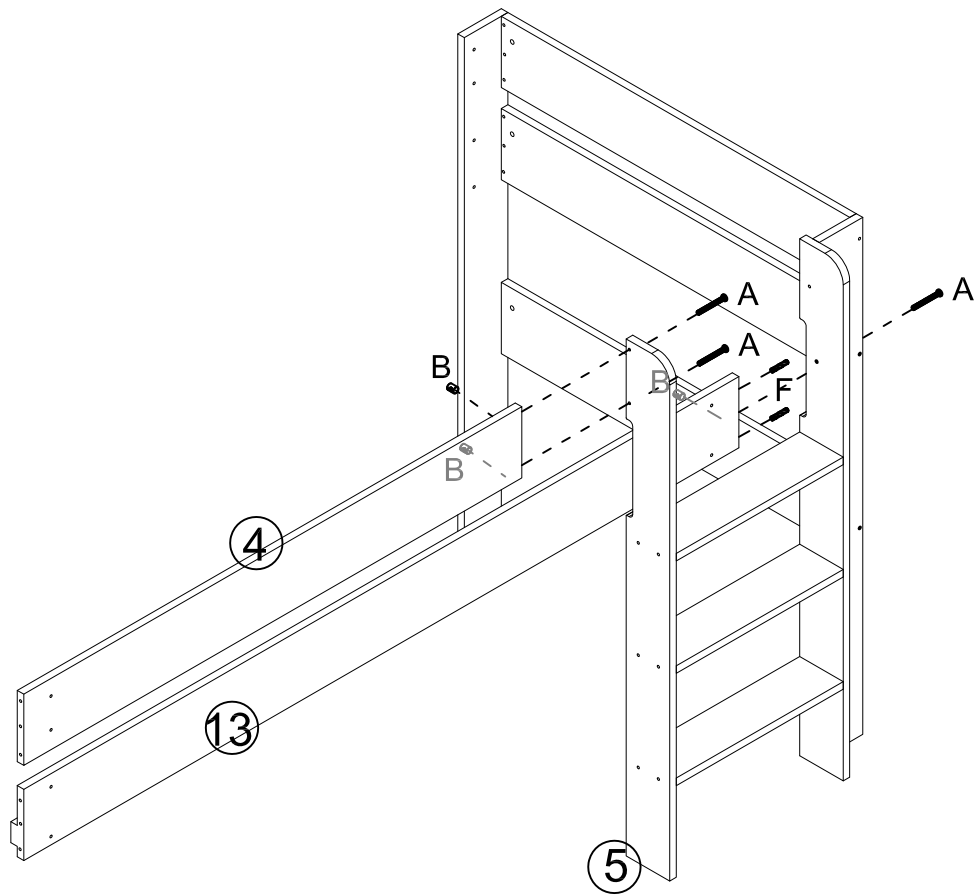
Step 3



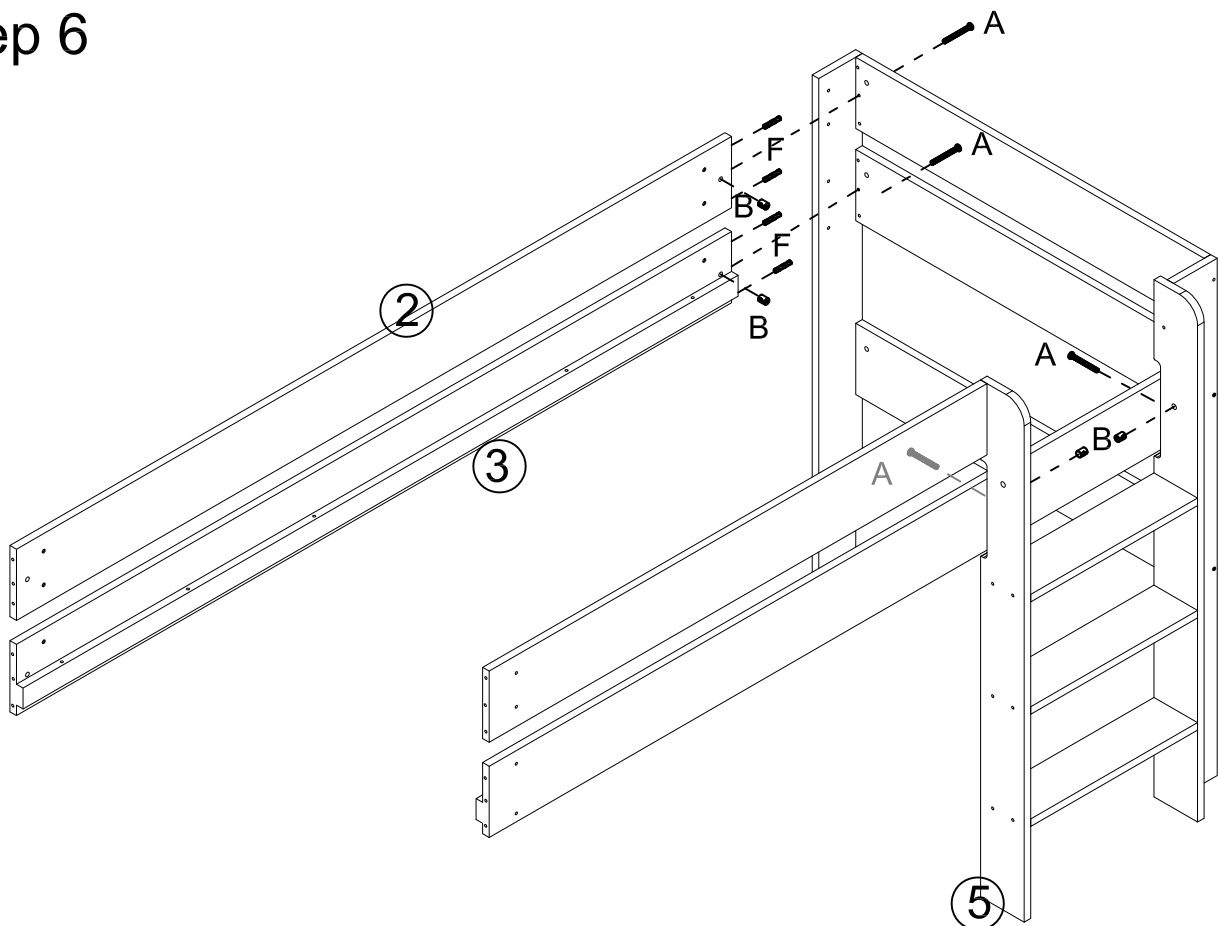
Step 4



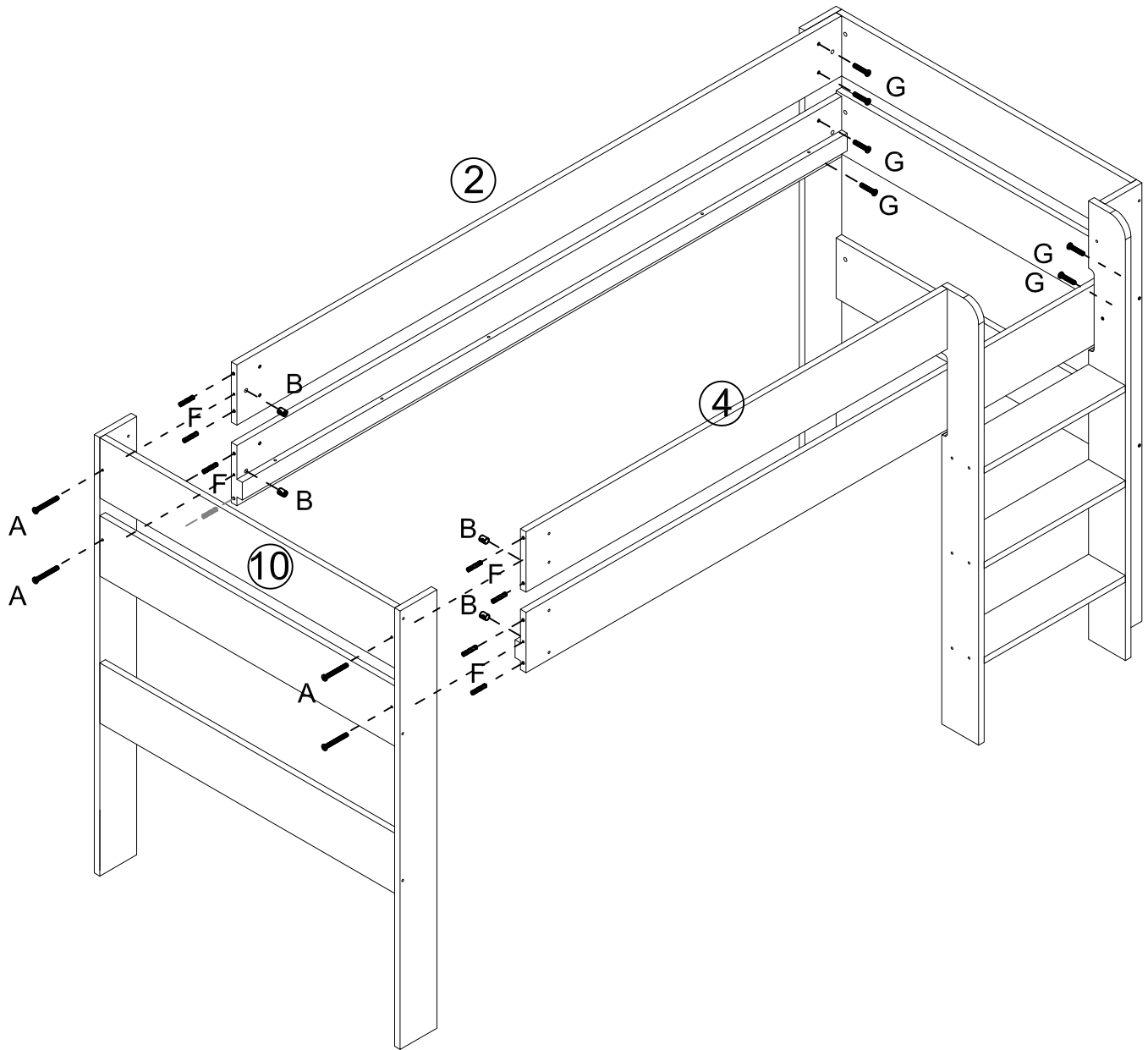
Step 5



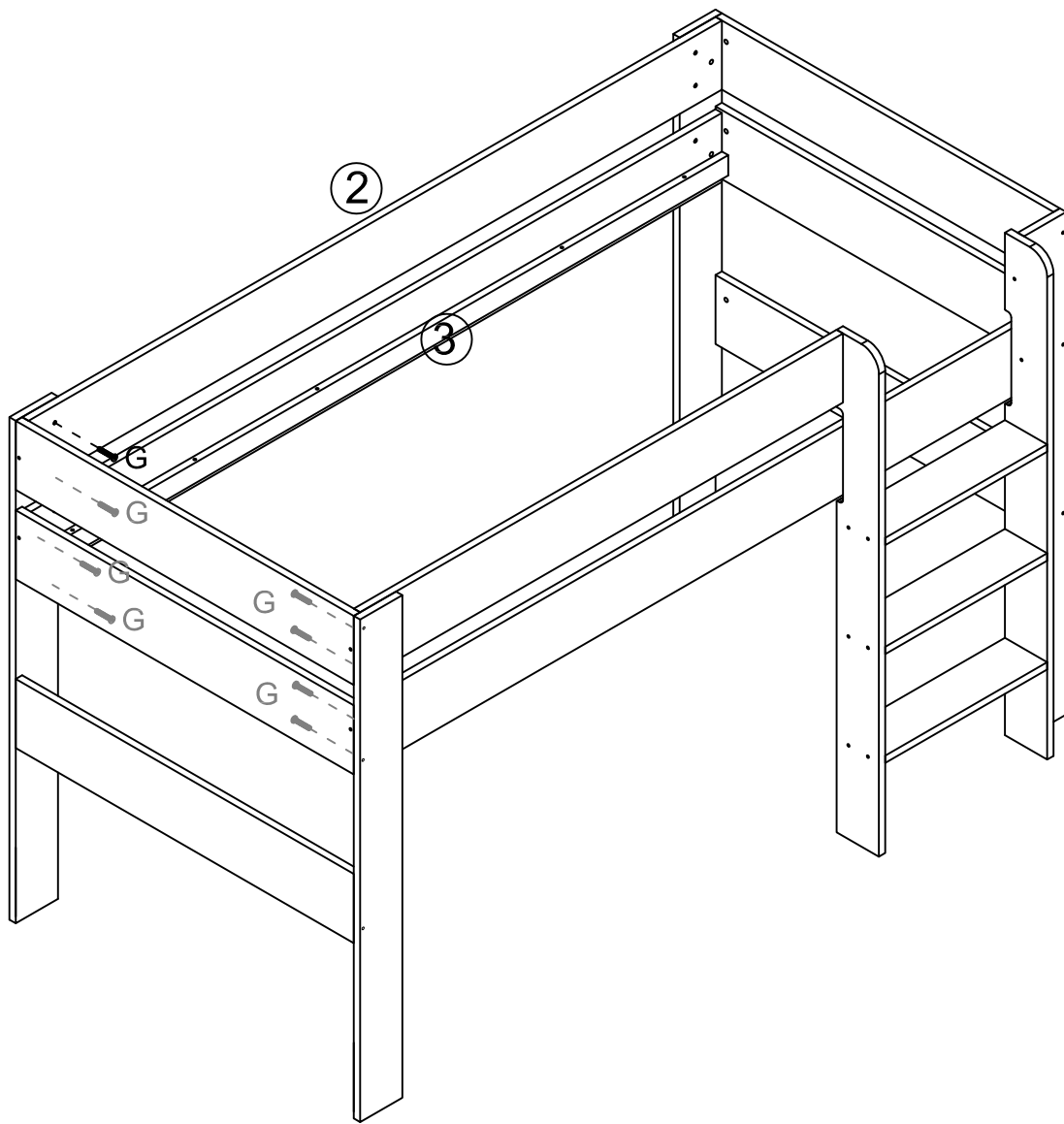
Step 6



Step 7



Step 8



Step 9

