

Millie & Jones.

Assembly Guide

Before Assembly

- Check Parts - Unpack and ensure all parts are included and undamaged.
- Read Instructions - Review the guide fully before starting.
- Prepare the Space - Clear the area and assemble on a soft surface to prevent damage.
- Gather Tools - Use only the recommended tools.
- Get Help - Larger items may require two people.

Health & Safety

- Keep Kids & Pets Away - Ensure a safe workspace.
- Lift Safely - Avoid strain; lift with care or get assistance.
- Wear Protection - Gloves help prevent injuries.
- Secure Loose Clothing - Avoid anything that could get caught.
- Handle Small Parts Carefully - Keep screws and fittings away from children.
- Dispose of Packaging Safely - Recycle and keep plastic bags out of reach.

ASSEMBLY INSTRUCTIONS

IMPORTANT: READ THESE INSTRUCTIONS CAREFULLY BEFORE ASSEMBLING THE BED.

**IMPORTANT: - READ CAREFULLY -
RETAIN FOR FUTURE REFERENCE**

HEALTH & SAFETY:

DO NOT jump on this bed frame.

DO NOT use this bed frame if any parts are missing, damage or worn.

DO NOT use this bed frame unless all fixings are secured.

Please keep small parts out of reach of children.

Always use on a level, even surface.

This bed is tested to European safety standard BS EN 747-1 & 2:2012+A1:2015

WARNING: If this bed is placed on a non-carpeted floor you must place some protection under all legs to stop the bed frame from moving. If this is not adhered to there is no guarantee if the bed frame collapses.

WARNING: High beds and bunk beds are not suitable for use by children under six years of age due to risk of injury from falls.

WARNING: Please note the area underneath the bed is to used for storage purpose only.

WARNING: High beds and bunk beds can present a serious risk of injury from strangulation if not used correctly. Never attach or hang anything on any part of the frame that is not designed to be used with the bed, for example, but not limited to ropes, strings, cords, hooks, belts, and bags.

WARNING: Do not use the high bed and bunk beds if any structural part is broken or missing.

WARNING: Children can become trapped between the bed and the wall, a roof pitch, the ceiling, adjoining pieces of furniture (e.g. cupboards) and the like. To avoid risk of serious injury, the distance between the top safety barrier and the adjoining structure shall not exceed 75mm or shall be more than 230mm.

- Always follow the manufacturer's instructions.

- Use ladder for entering and leaving upper bunk.

CARE & MAINTENANCE:

Assemble in the room of use.

Assemble on a soft, clean surface.

Please check regularly that all assembly fastening are properly tightened.

DO NOT push the bed frame as this will damage the legs.

Always lift the bed with two people to reposition.

Use a soft, dry cloth to clean - do not use any detergents or chemicals.

Avoid contact with water and direct sunlight. Ventilation is necessary. **Do not place bed near heat sources, window to keep the humidity low and prevent mould in and around the bed.**

INFORMATION

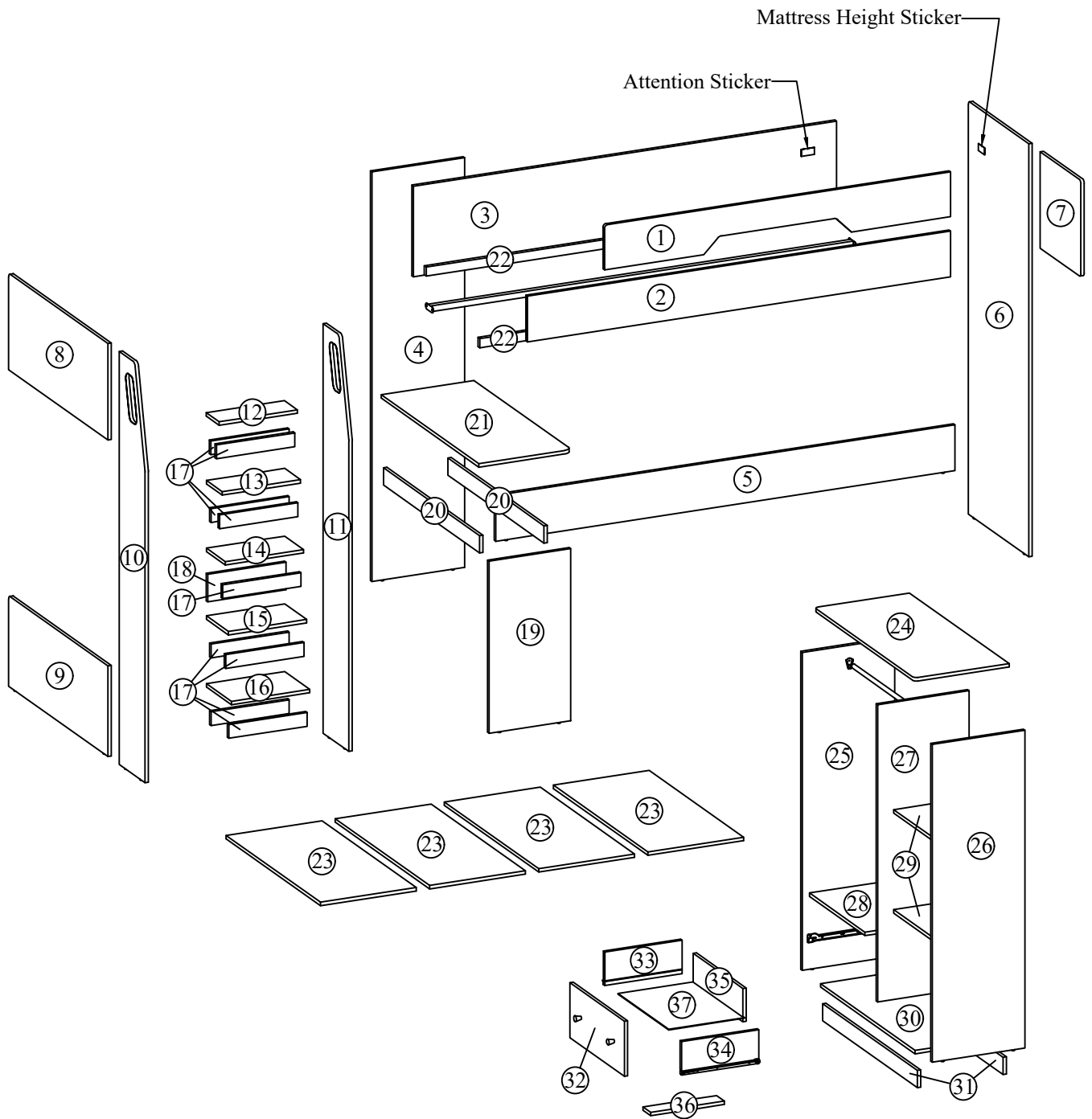
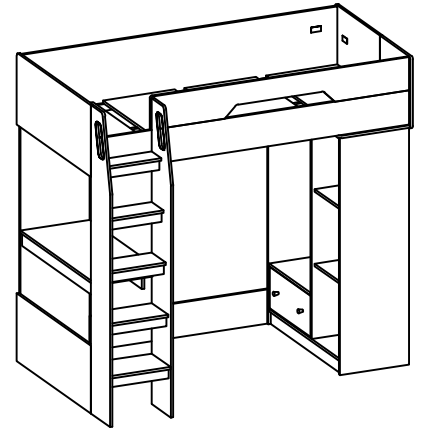
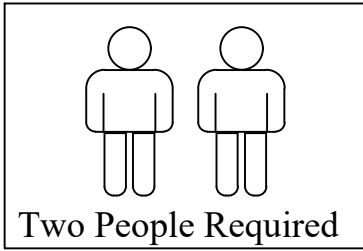
- Maximum thickness of mattress 18cm. Please refer to marking headboard.

- Recommend size of mattress L190cm x W90cm x H18cm

- When you are ready to start, make sure that you have the right tools, plenty of space on a clean, dry area for assembly.

- Check the pack and make sure you have all the part listed.

- Ensure that this product is fully assembly and secured as illustrated before use.



PARTS LIST

Carton 1 of 5:

Part	Description	Qty
7	Side Panel (Front) (Right)	1
12	5th Ladder Step	1
13	4th Ladder Step	1
14	3rd Ladder Step	1
15	2nd Ladder Step	1
16	1st Ladder Step	1
17	Ladder Step Support Panel	9
18	Ladder Step Support Panel	1
23	Base Panel	4
Hardware		

Carton 2 of 5:

Part	Description	Qty
25	Cabinet Side Panel (Left)	1
26	Cabinet Side Panel (Right)	1
27	Cabinet Center Panel	1
28	Cabinet Shelf Panel (Left)	1
29	Cabinet Shelf Panel (Right)	2
32	Drawer Front Panel	1
33	Drawer Left Panel	1
34	Drawer Right Panel	1
35	Drawer Back Panel	1
36	Drawer Support Panel	1
37	Drawer Bottom Panel	1

Carton 3 of 5:

Part	Description	Qty
8	Side Panel (Upper) (Left)	1
9	Side Panel (Lower) (Left)	1
19	Table Side Panel	1
20	Table Support Panel	2
21	Table Top Panel	1
24	Cabinet Top Panel	1
30	Cabinet Bottom Panel	1
31	Cabinet Bottom Support Panel	2























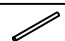

Carton 4 of 5:

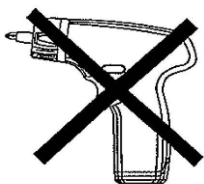
Part	Description	Qty
1	Guardrail	1
4	Left Back Support Panel	1
6	Side Panel (Back) (Right)	1

Carton 5 of 5:

Part	Description	Qty
2	Front Guardrail	1
3	Back Guardrail	1
5	Bottom Support Panel	1
10	Ladder Side Panel (Left)	1
11	Ladder Side Panel (Right)	1
22	Base Support Rail	2

HARDWARE LIST: Carton 1 of 5

Part	Description		Qty
A	M5 x 40mm UNITAR SCREW		102
B	STEEL NUT M6		19
C	JCN M6		12
D	JCBC SCREW M6 x 12mm		4
E	JCBC SCREW M6 x 25mm		8
F	JCBC SCREW M6 x 30mm		6
G	JCBC SCREW M6 x 50mm		13
H	CAM NUT 15mm		33
I	DOUBLE END BOLT 7 mm		6
J	WOOD DOWEL M6 x 25mm		88
K	WOOD DOWEL M8 x 50mm		10
L	CONTRACTFIX DOWEL 5971		6
M	METAL CENTER PIPE		1
N	PVC NAIL 5/8"		18
O	CAM BOLT		15
P	CSK SCREW M4 x 38 mm		21
Q	M6 ALLEN KEY		2
R	CSK SCREW M3.5 x 12 mm		12
S	CSK SCREW M3.5 x 16 mm		4
T	CSK SCREW M4 x 30 mm		2
U	METAL RUNNER 14"		1
V	V - BRACKET		2
W	PIPE 533 mm		1
X	KNOB HANDLE 2613		2



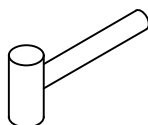
**** WARNING: THE USE OF POWER TOOLS TO ASSEMBLE THIS PRODUCT WILL INVALIDATE ANY CLAIM AND MAY DAMAGE THIS PRODUCT MAKING IT UNSAFE.**

**** You will need a screwdriver and a small mallet (NOT provided)**

Tools You Need:








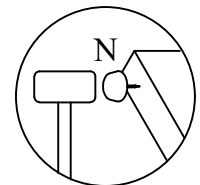
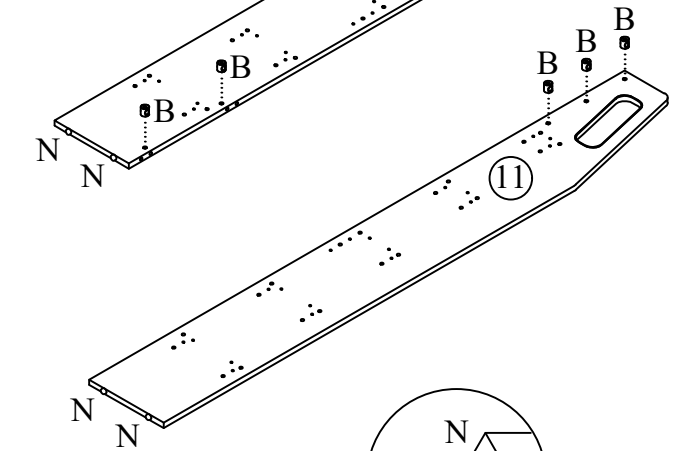
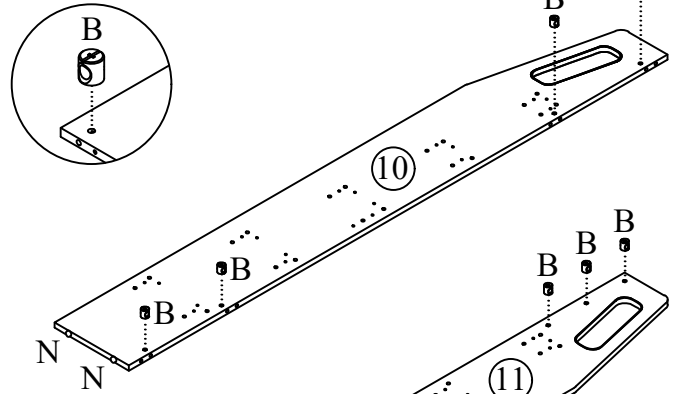
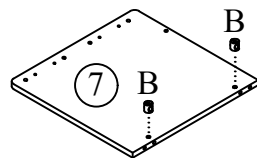
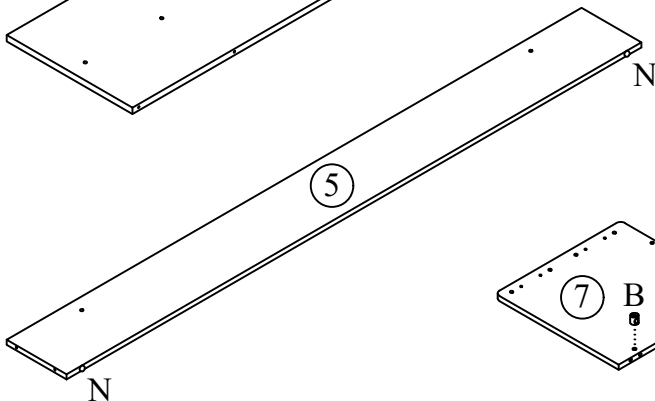
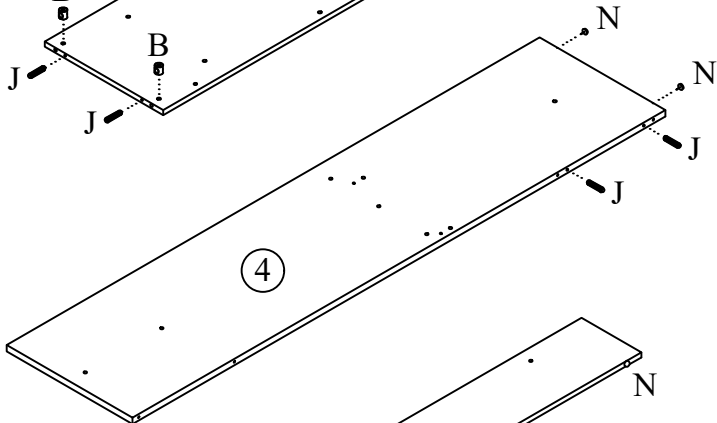
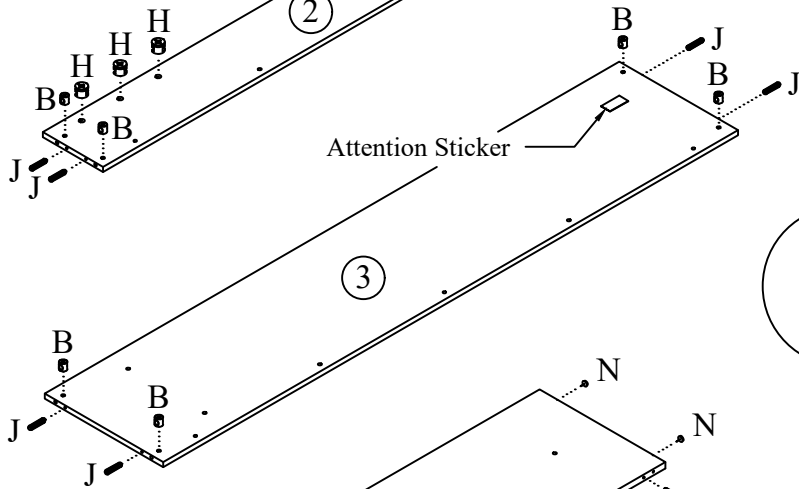
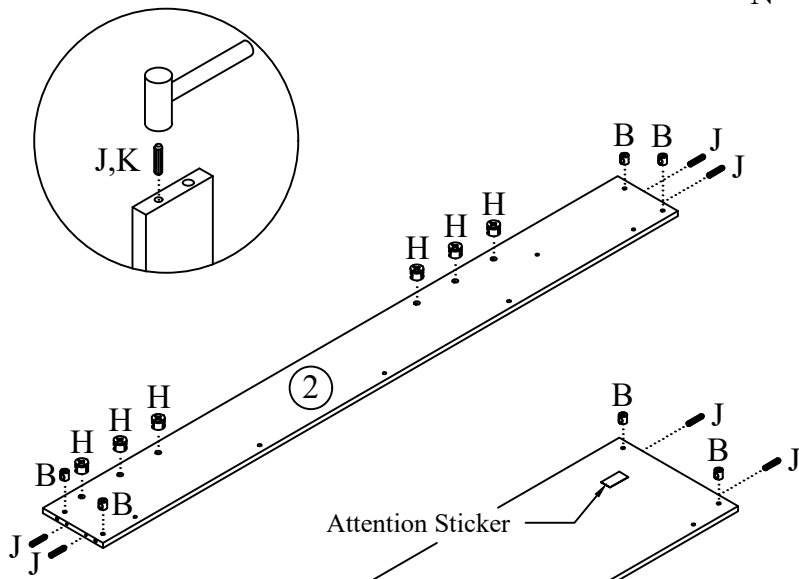
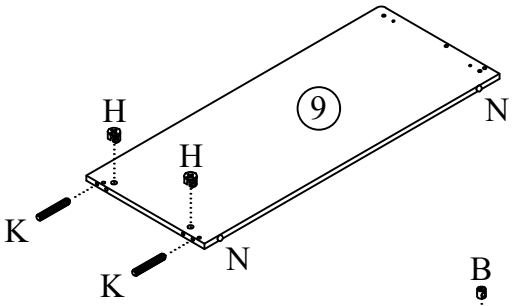
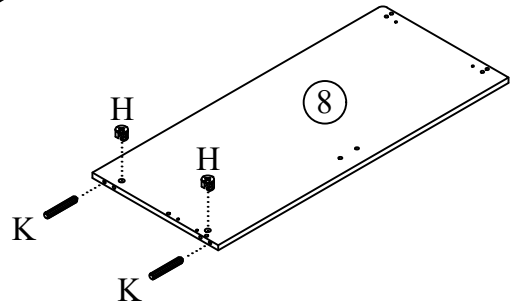
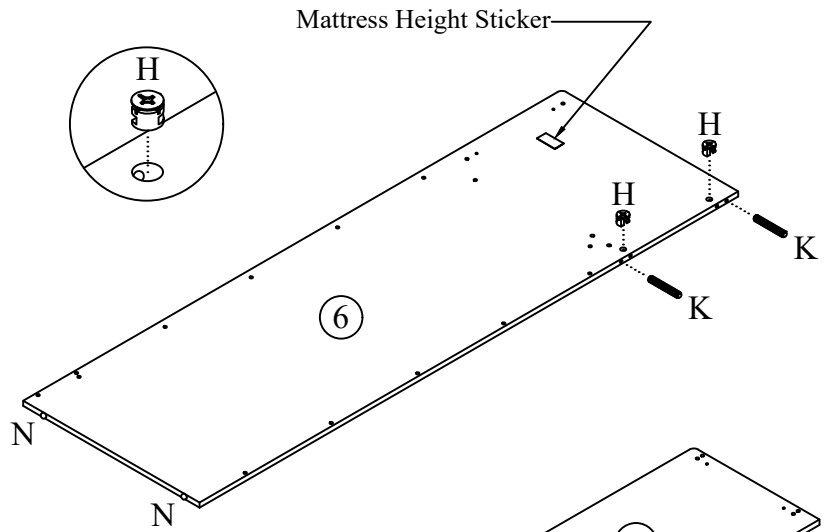
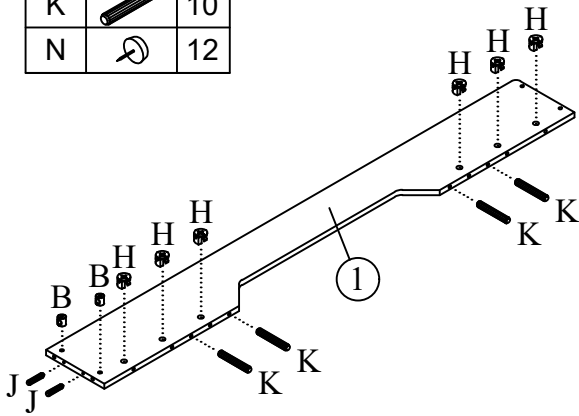
Philips Head Screwdriver








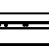
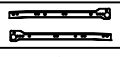

Soft Head Mallet

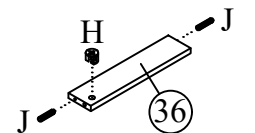
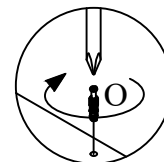
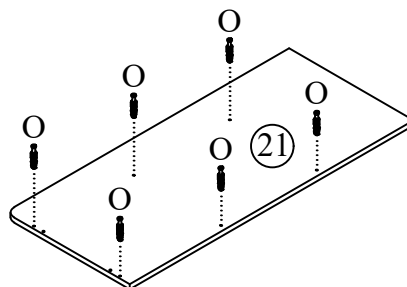
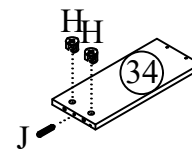
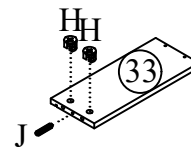
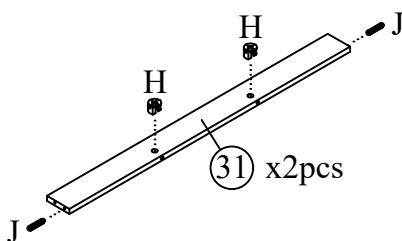
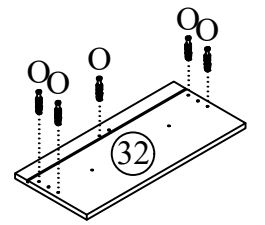
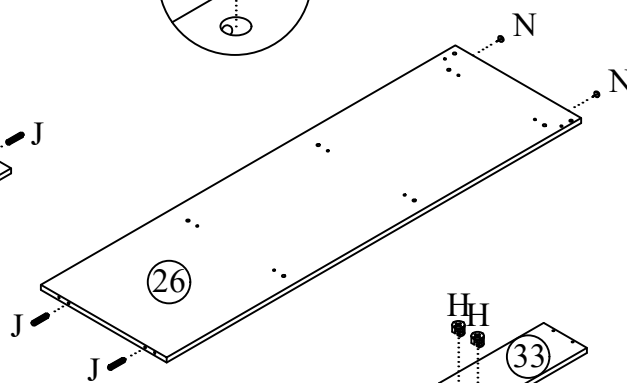
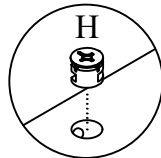
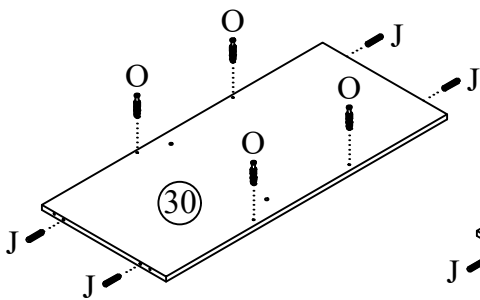
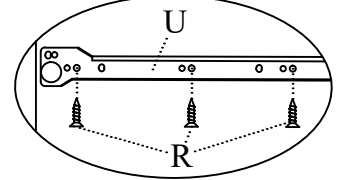
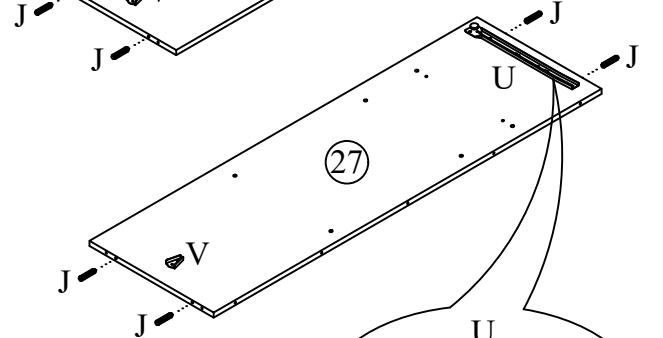
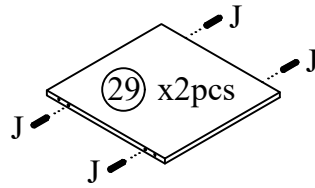
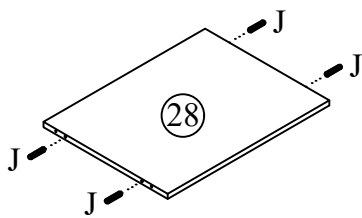
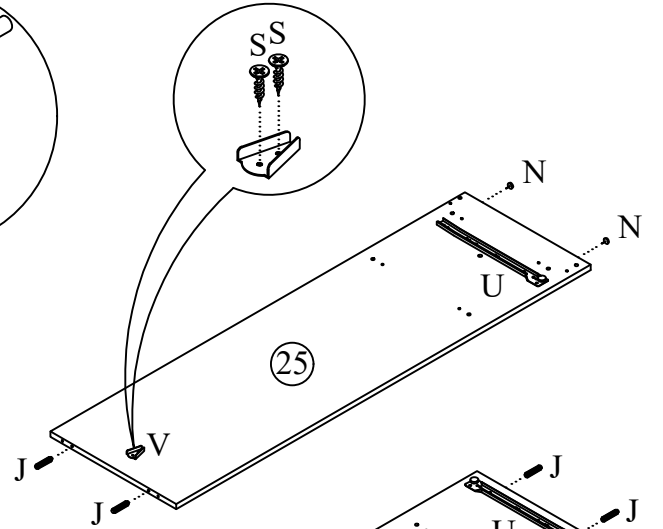
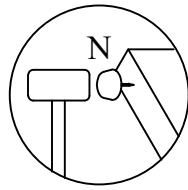
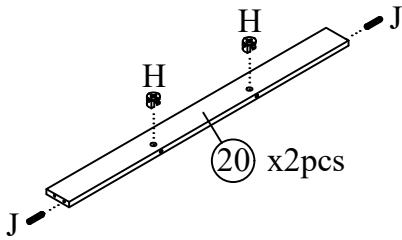
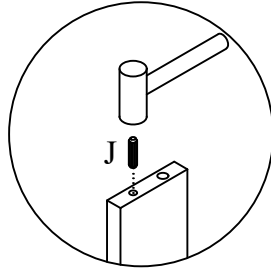
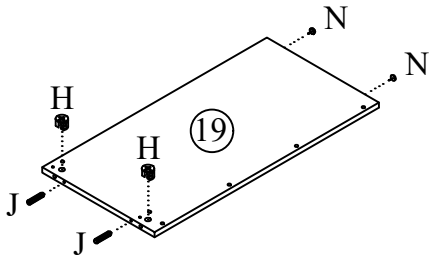
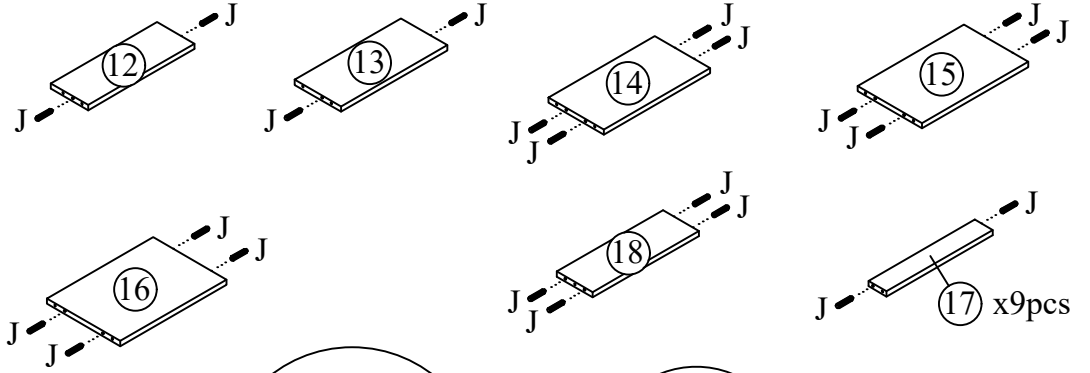
1

B		19
H		18
J		12
K		10
N		12

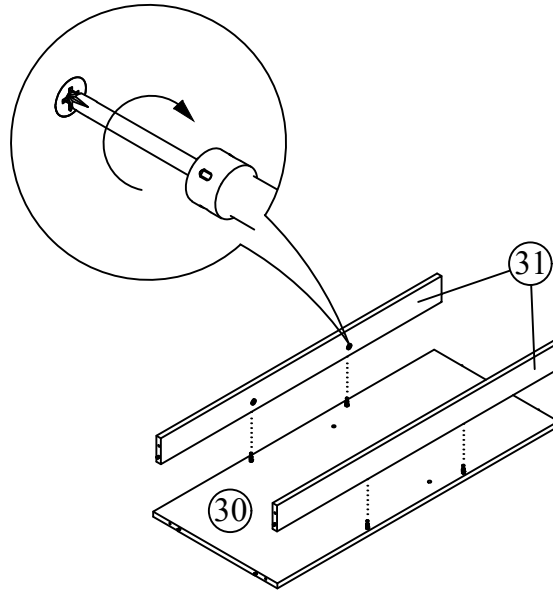


2

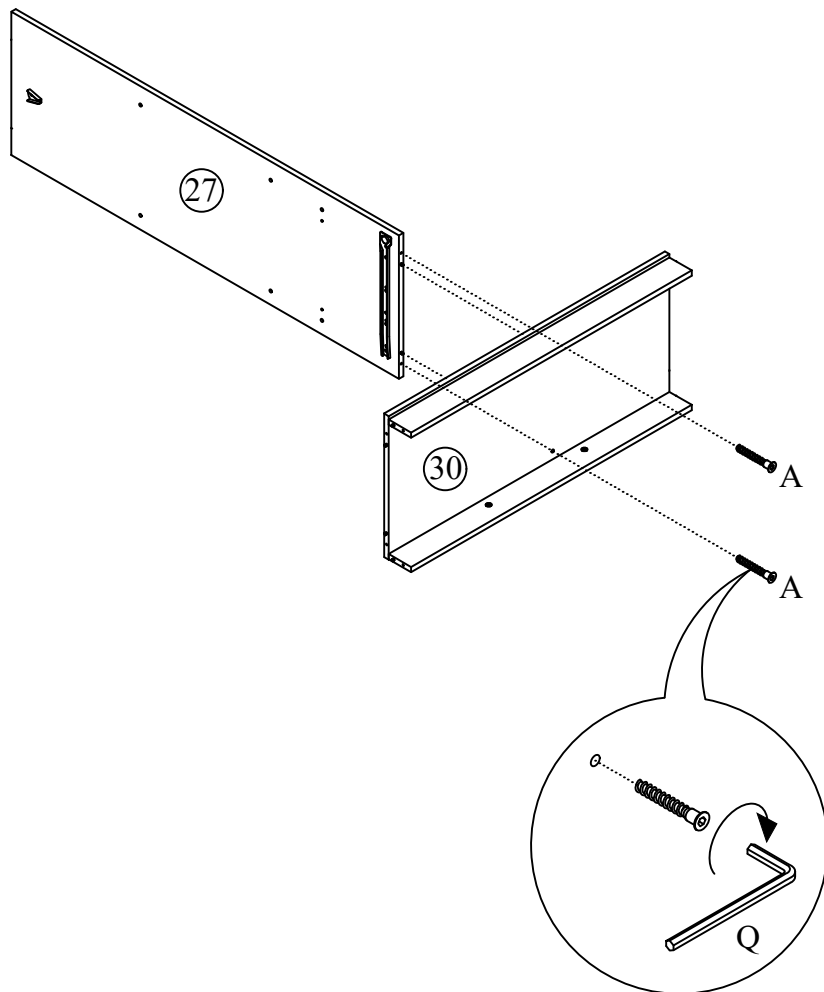
H		15
J		76
N		6
O		15
R		6
S		4
U		1
V		2



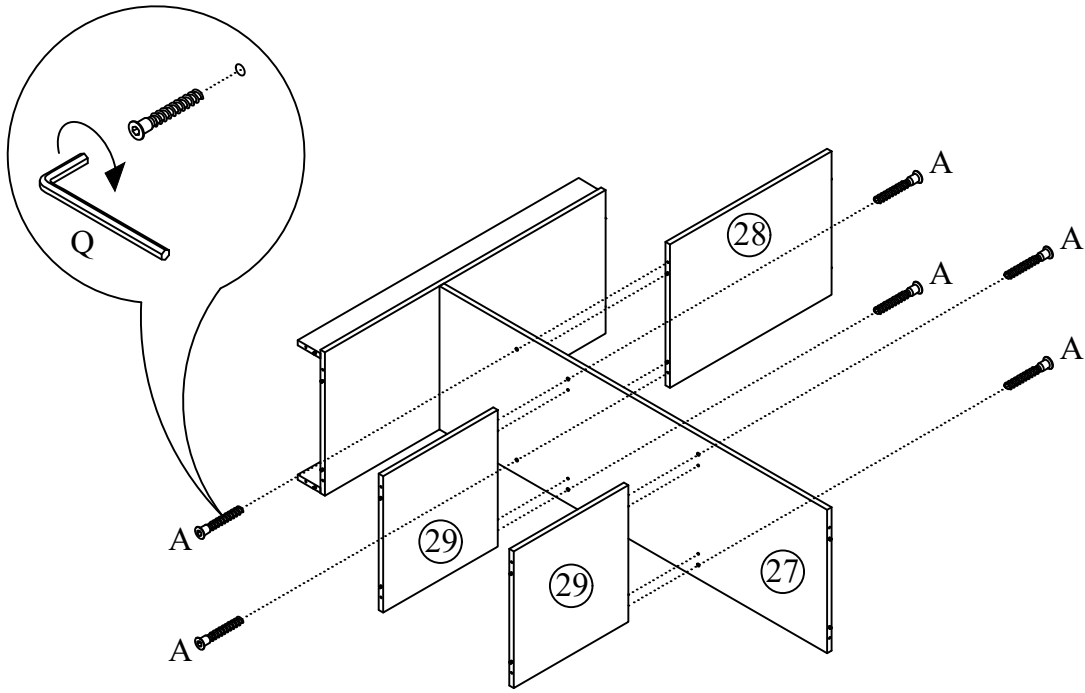
3



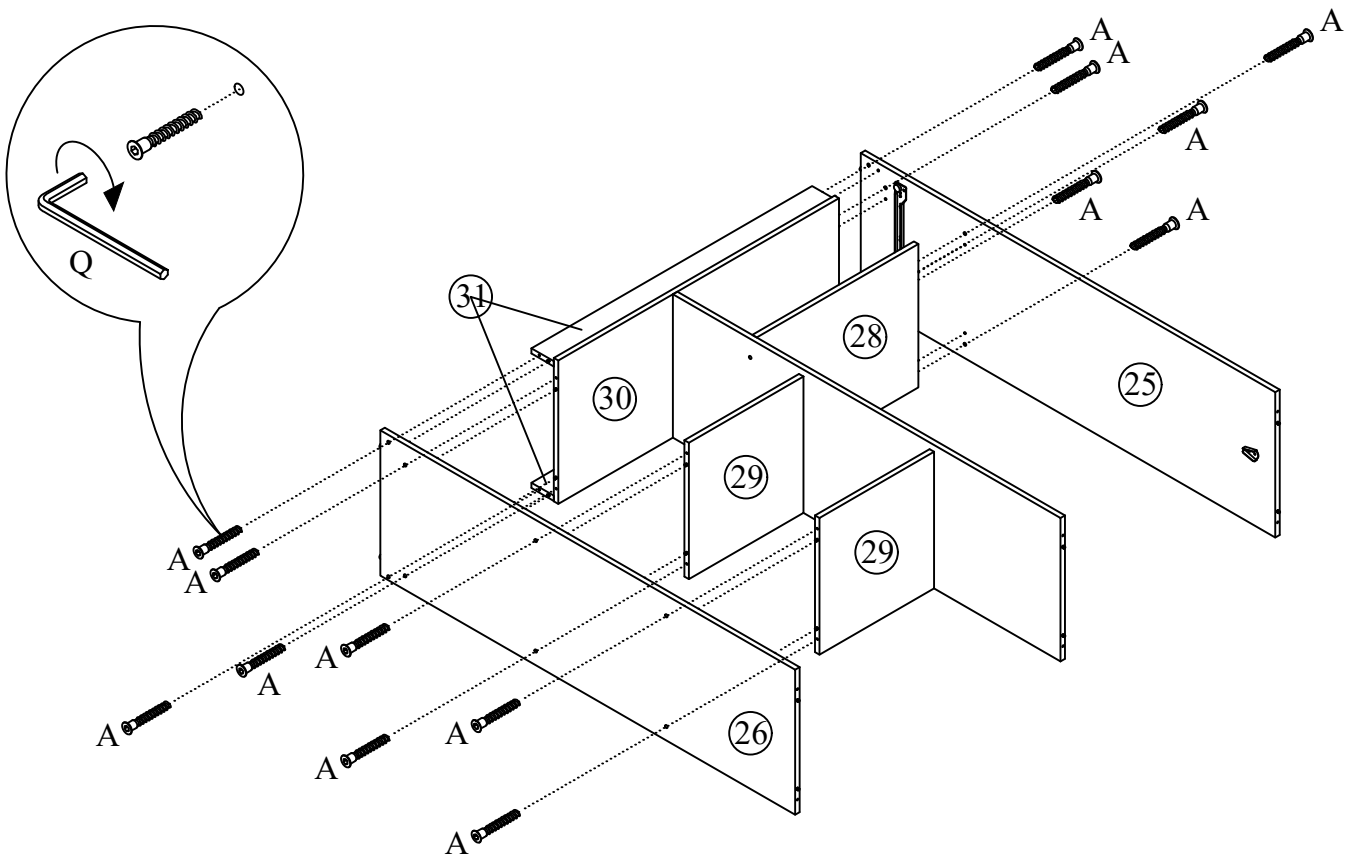
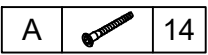
4




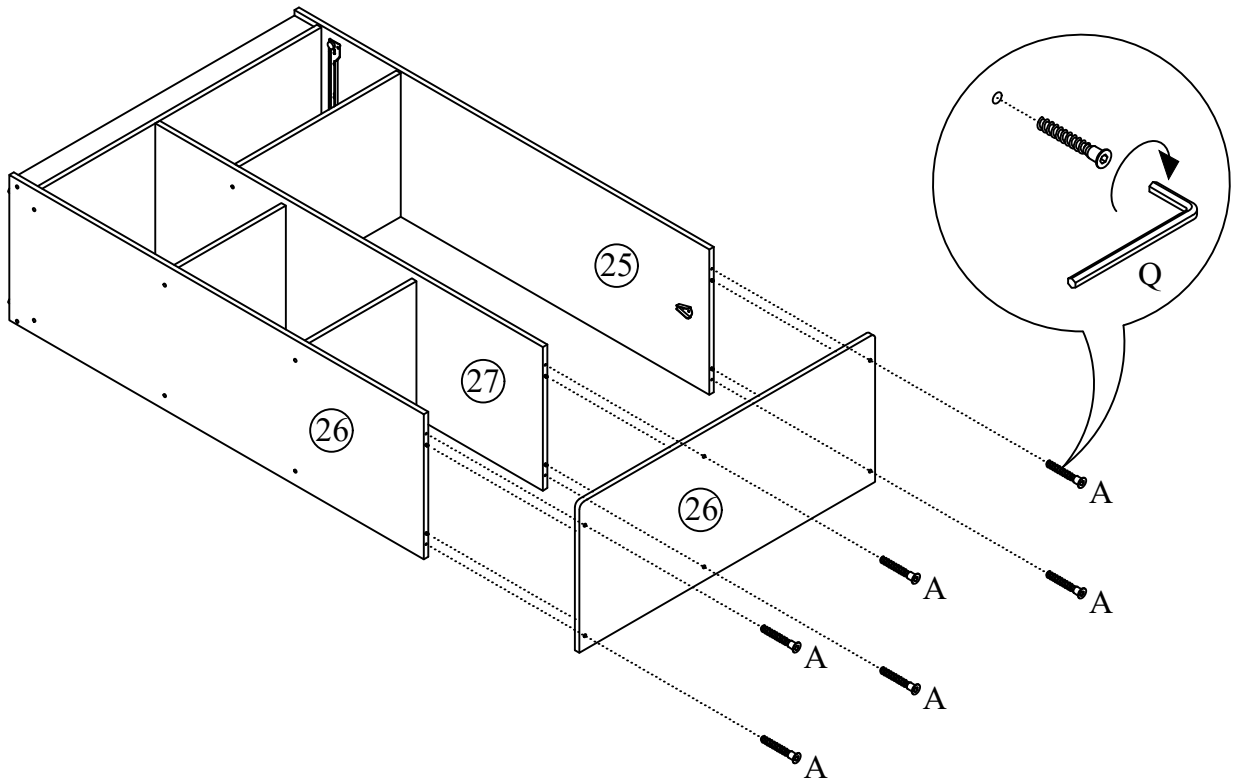
5

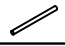


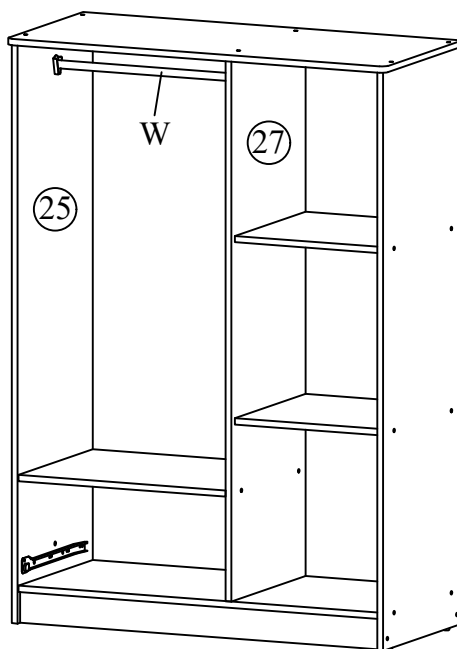
6



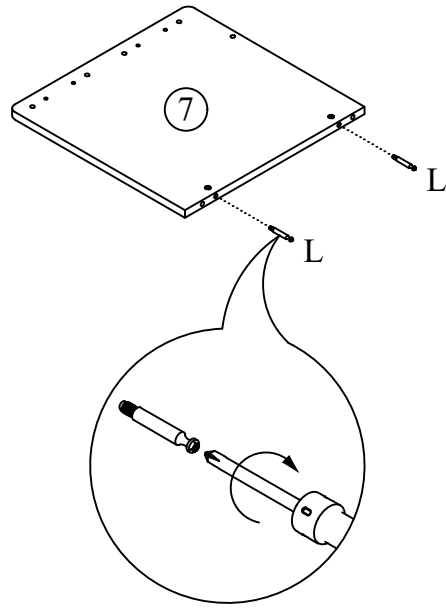
7 A  6



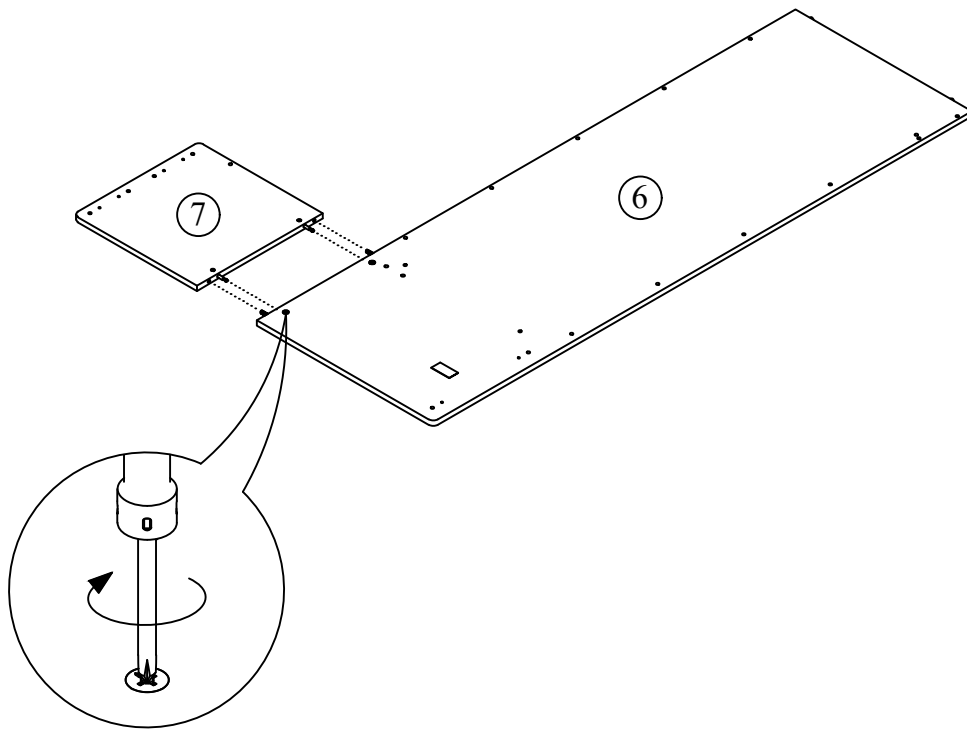
8 W  1




9

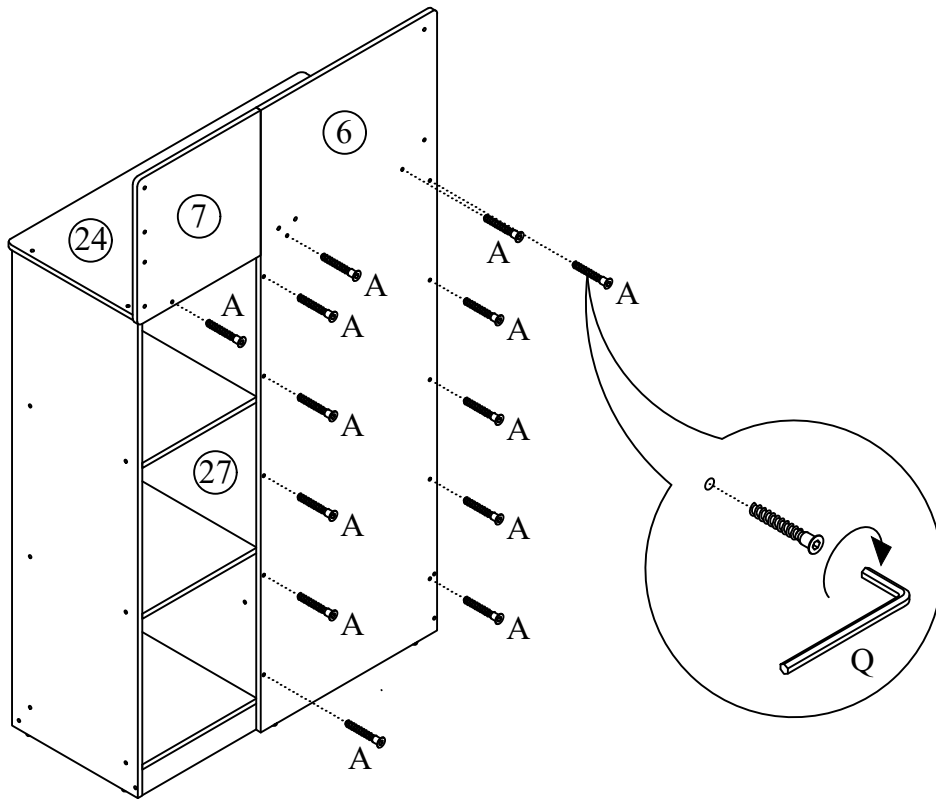




10

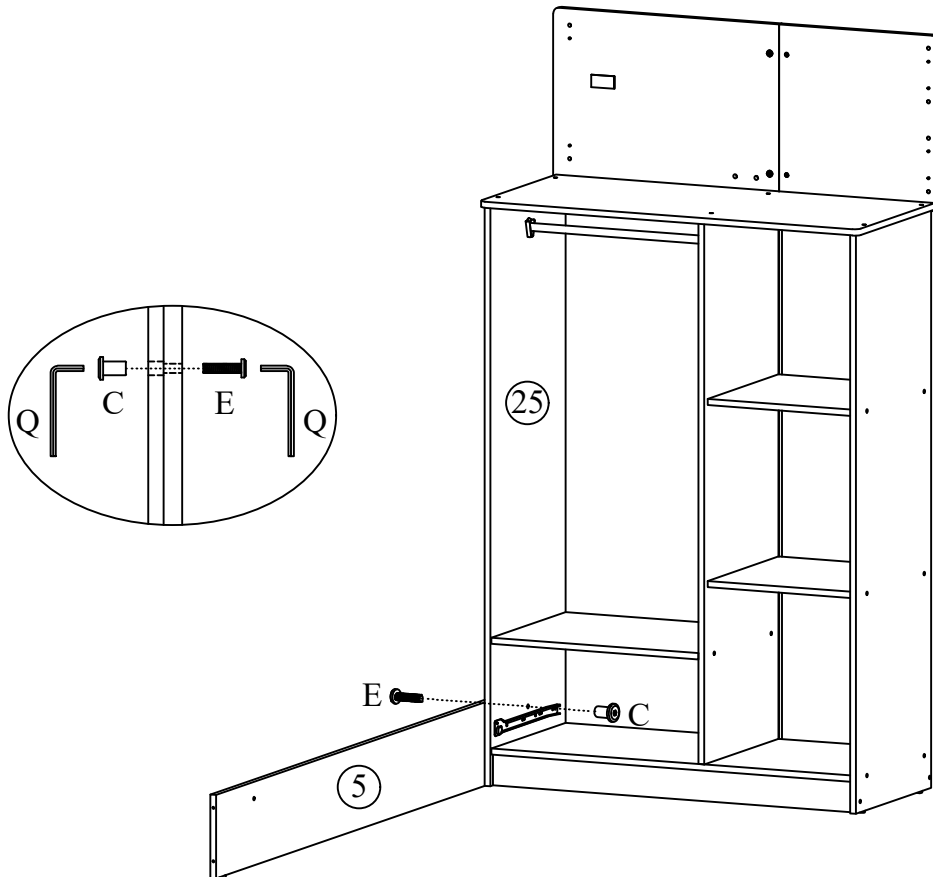



11

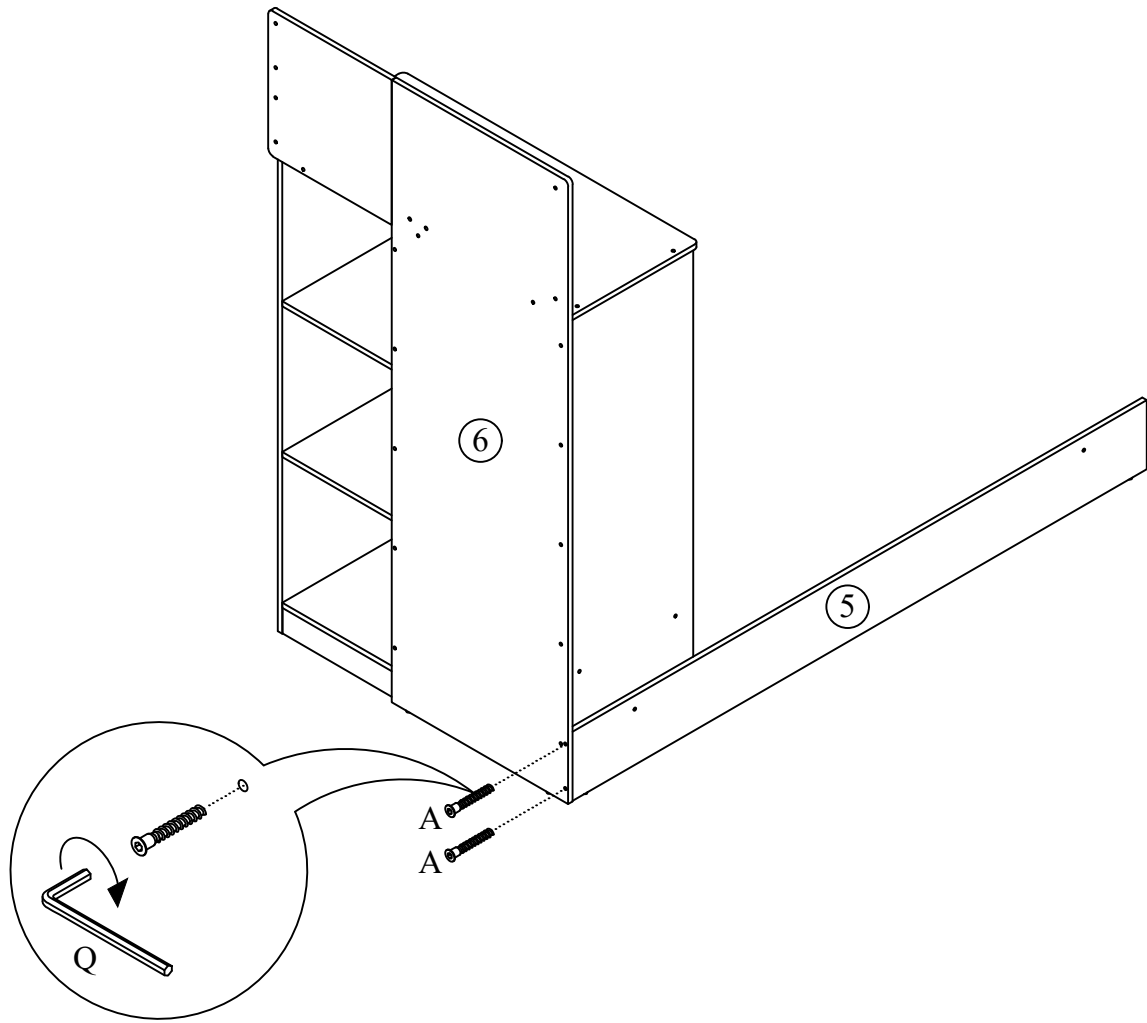
A		13
---	---	----


**12**

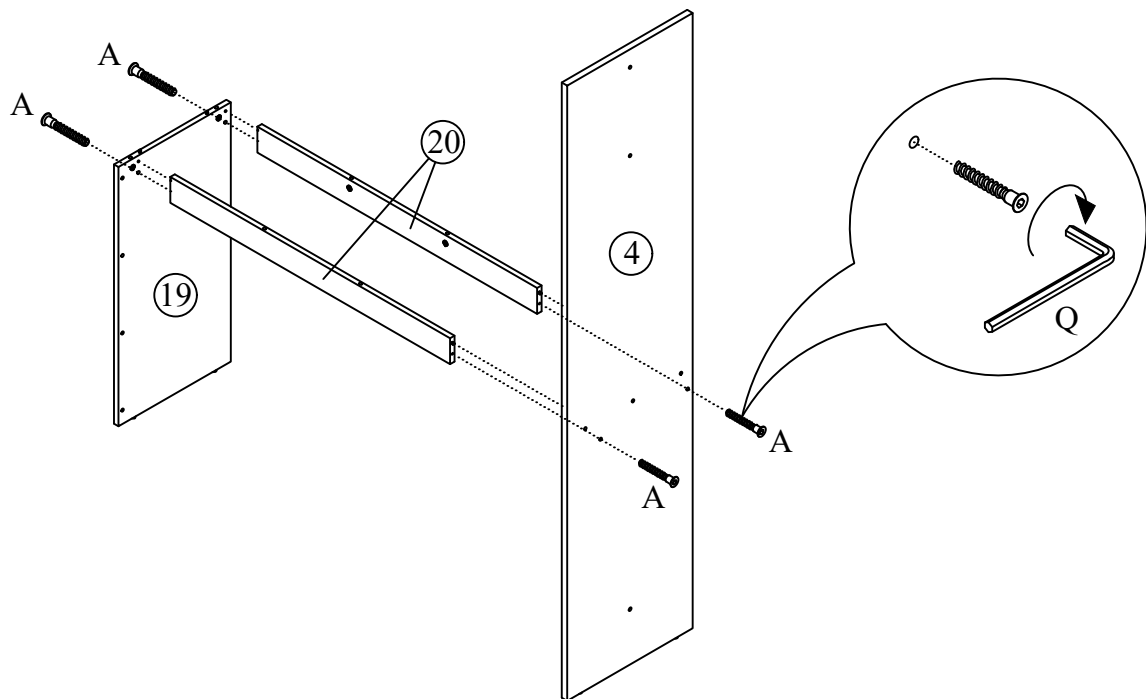
C		1
E		1



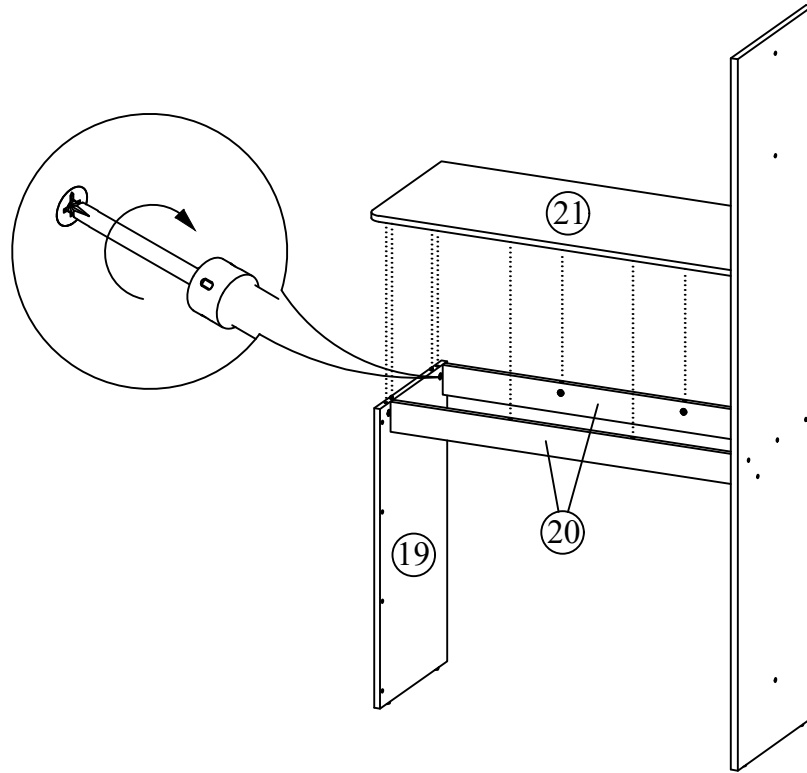
13 A  2



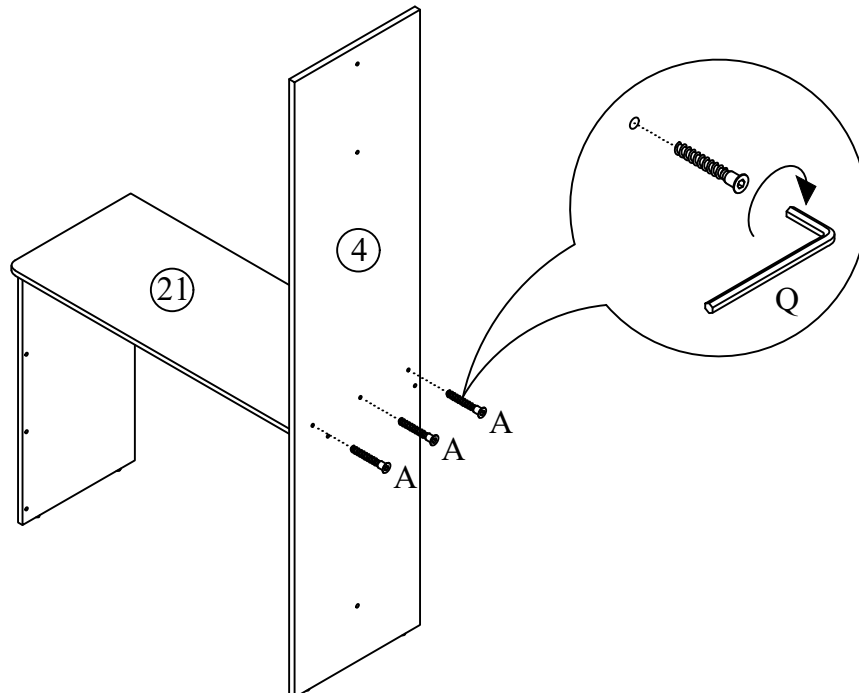
14 A  4





15

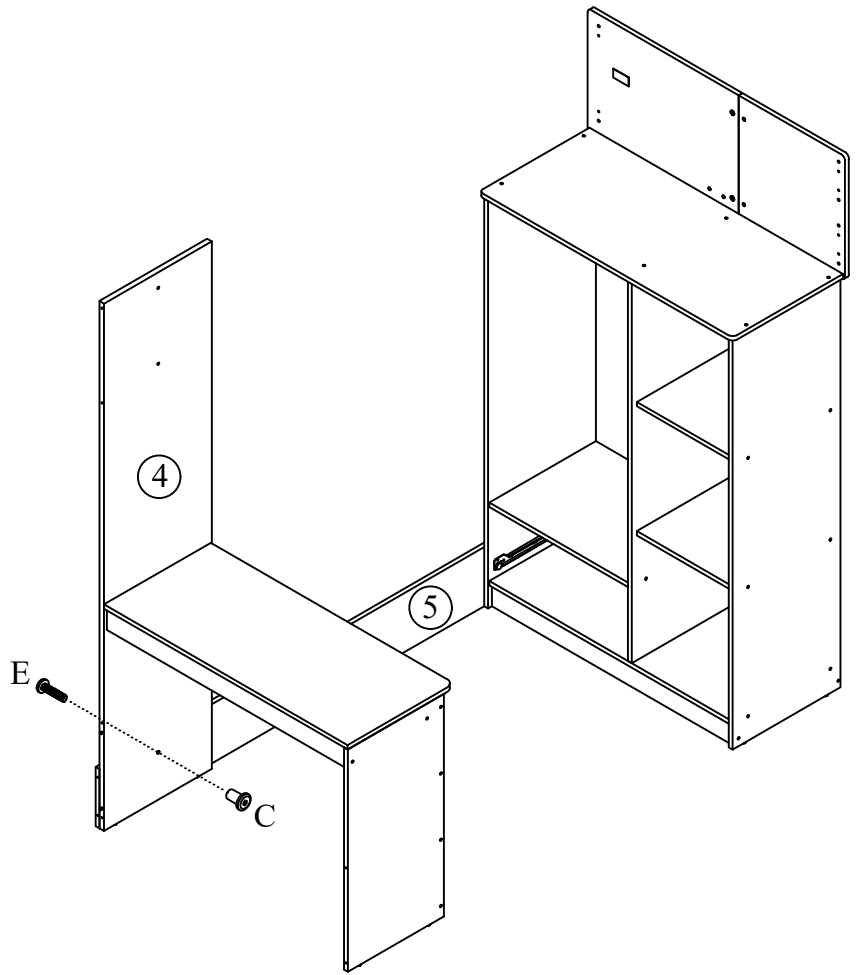
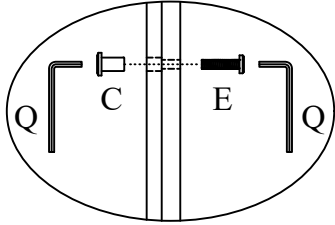


16






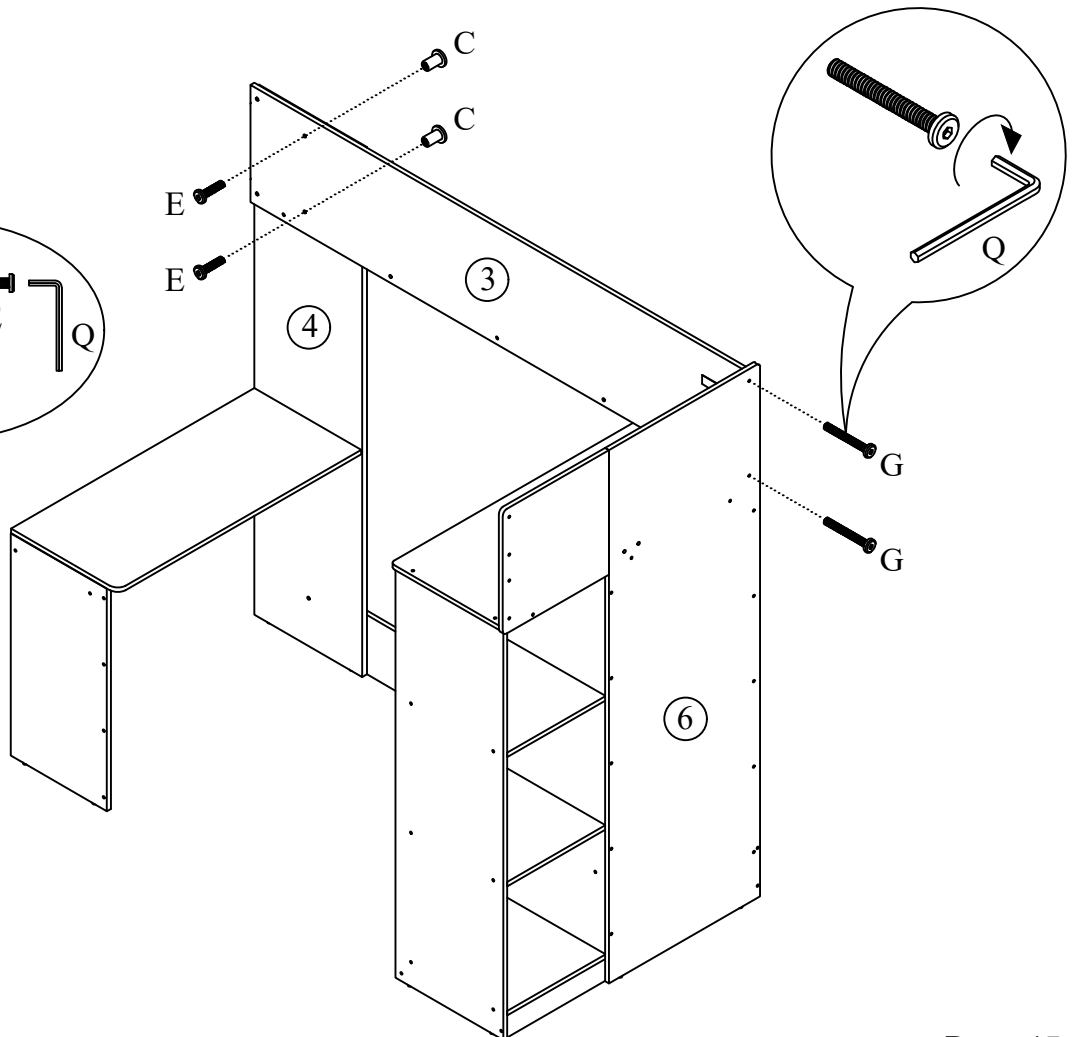
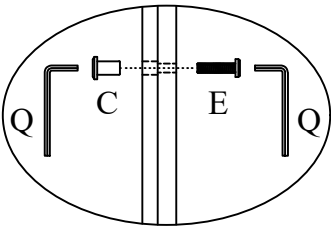
17

C		1
E		1

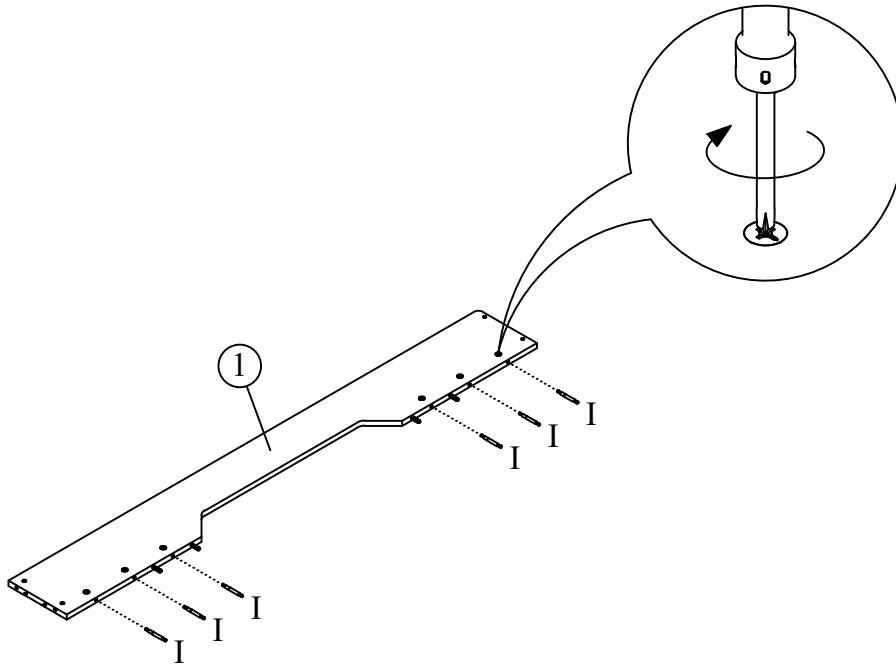


18

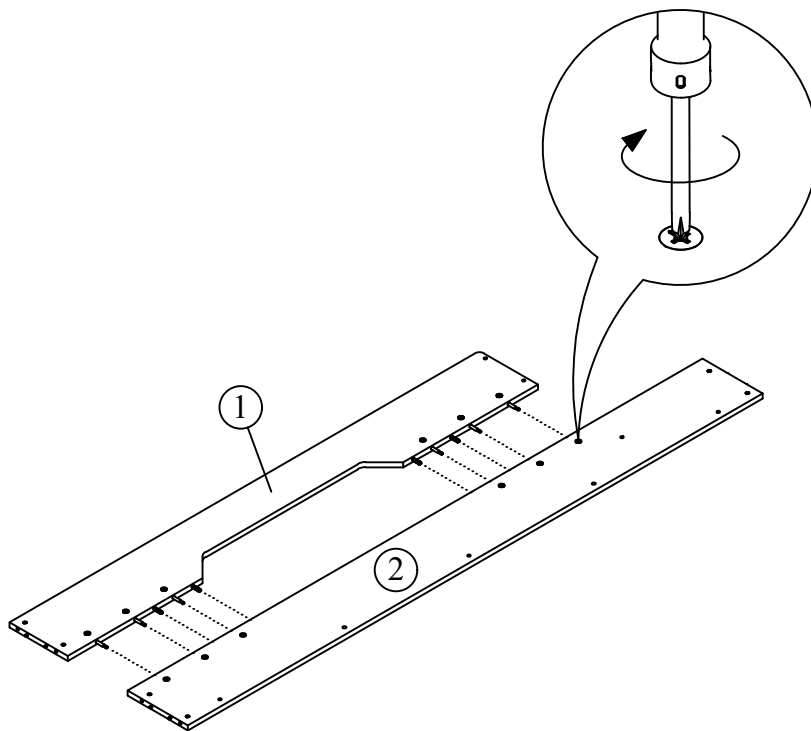
C		2
E		2
G		2




19

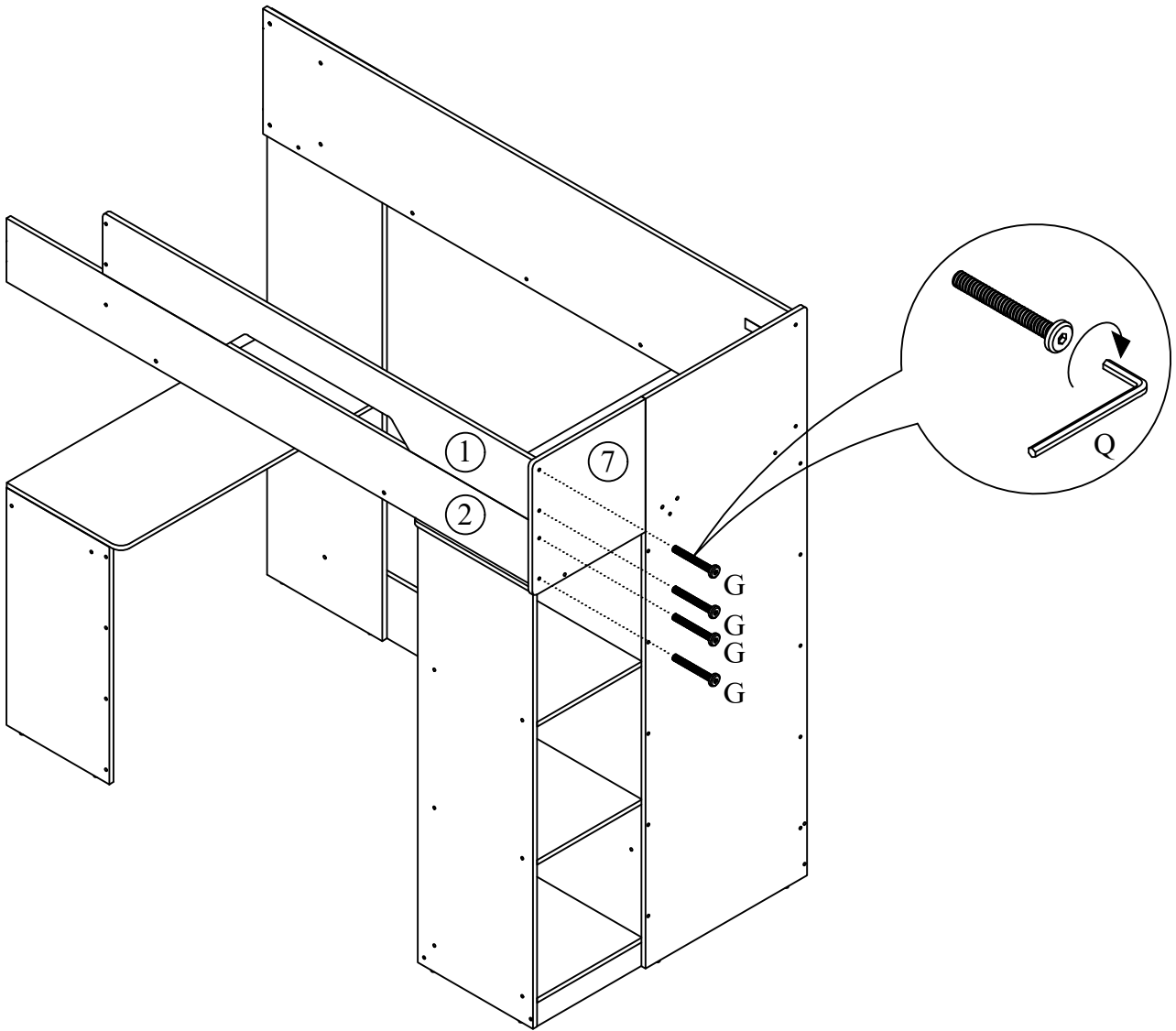


20



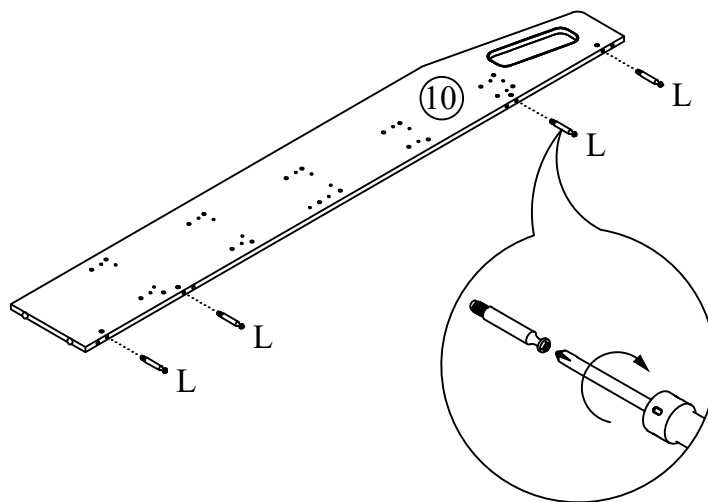
21

G  4

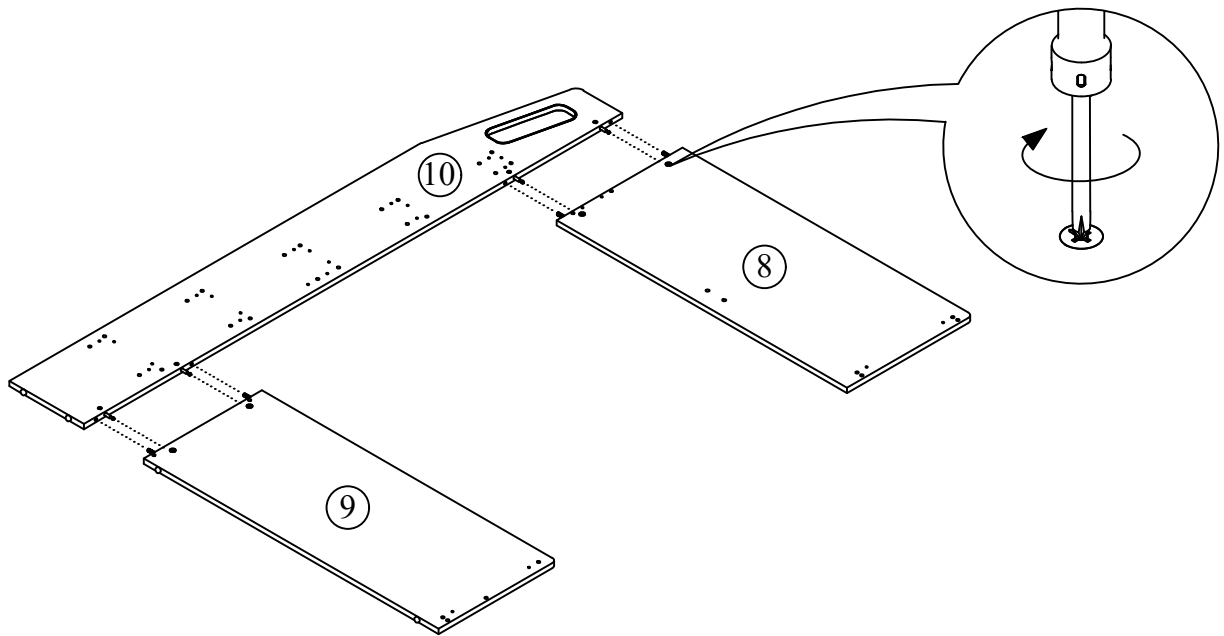


22



L  4

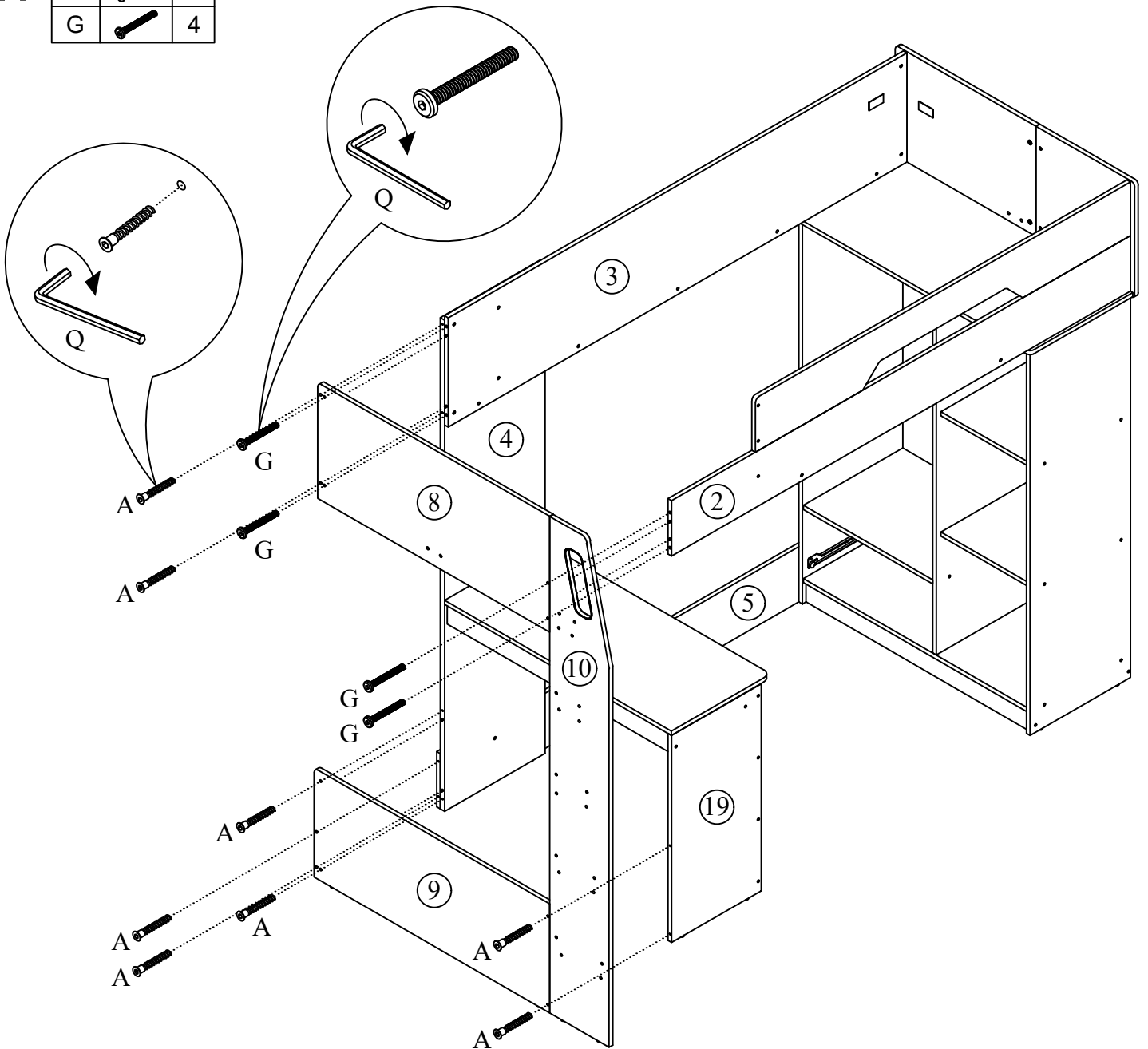


23

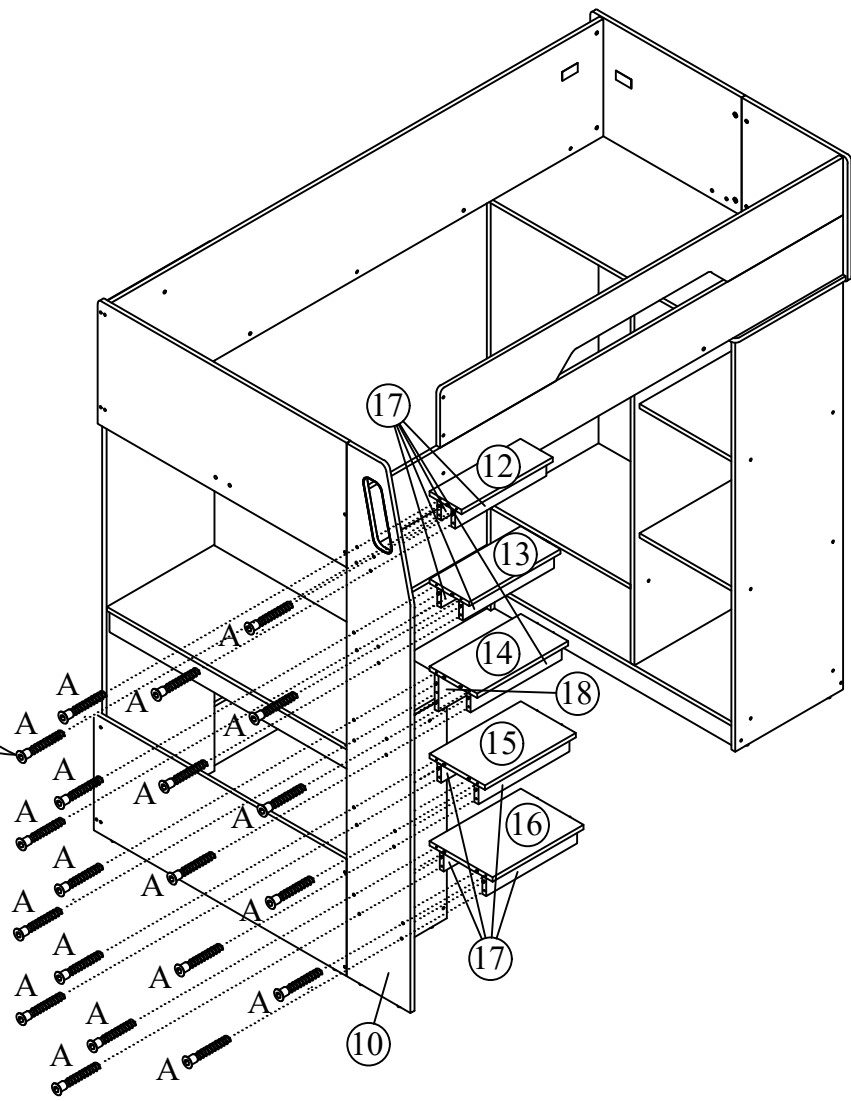
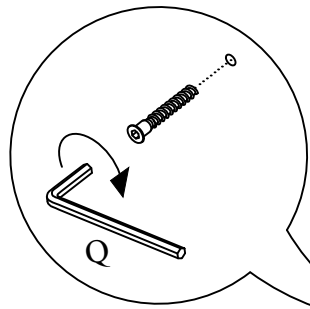


24

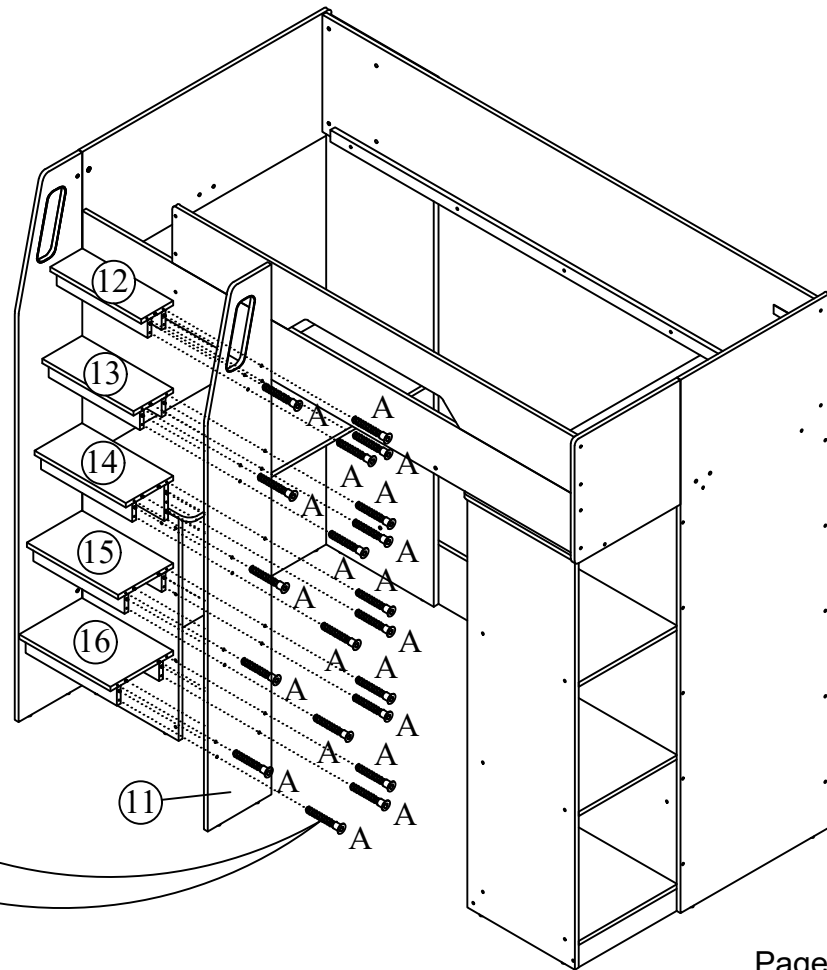
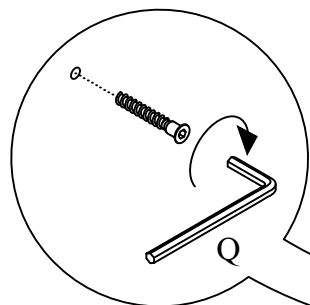
A		8
G		4





25

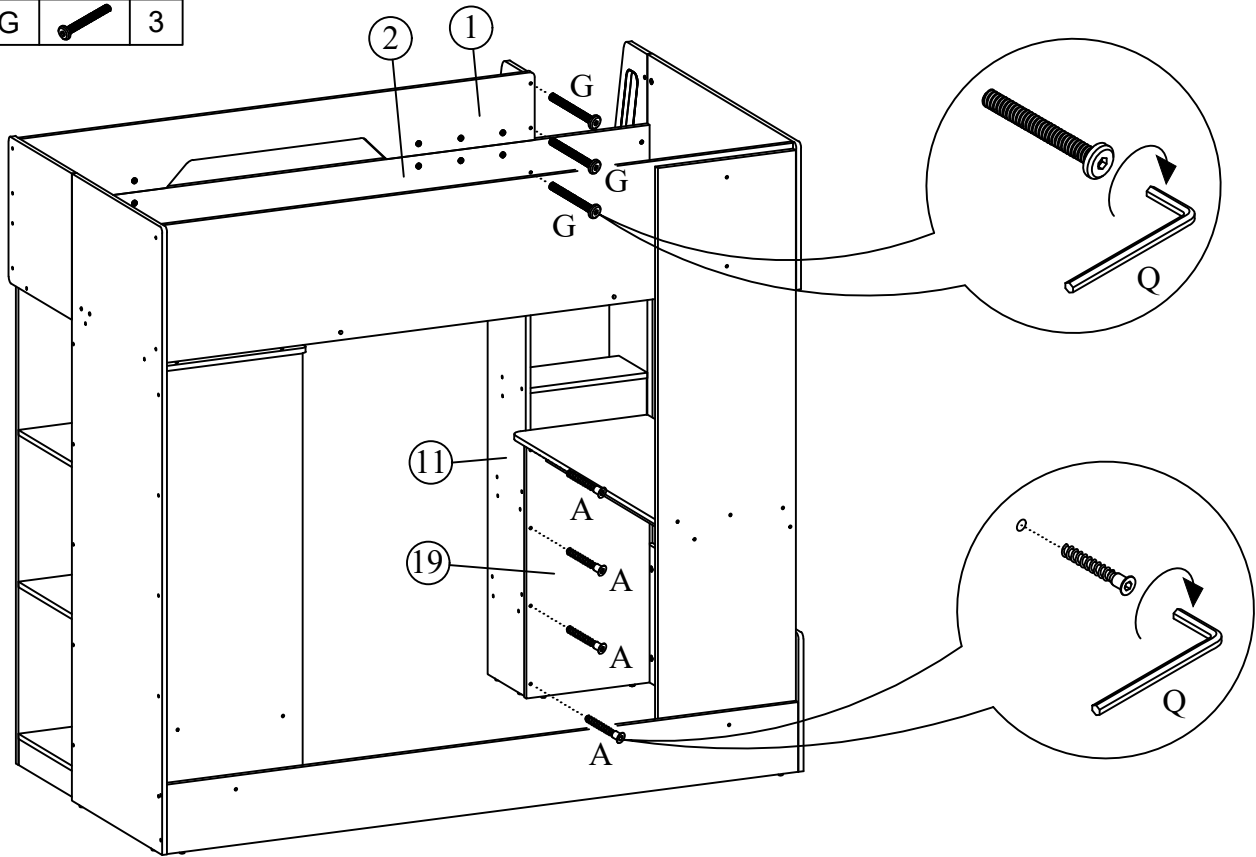


26






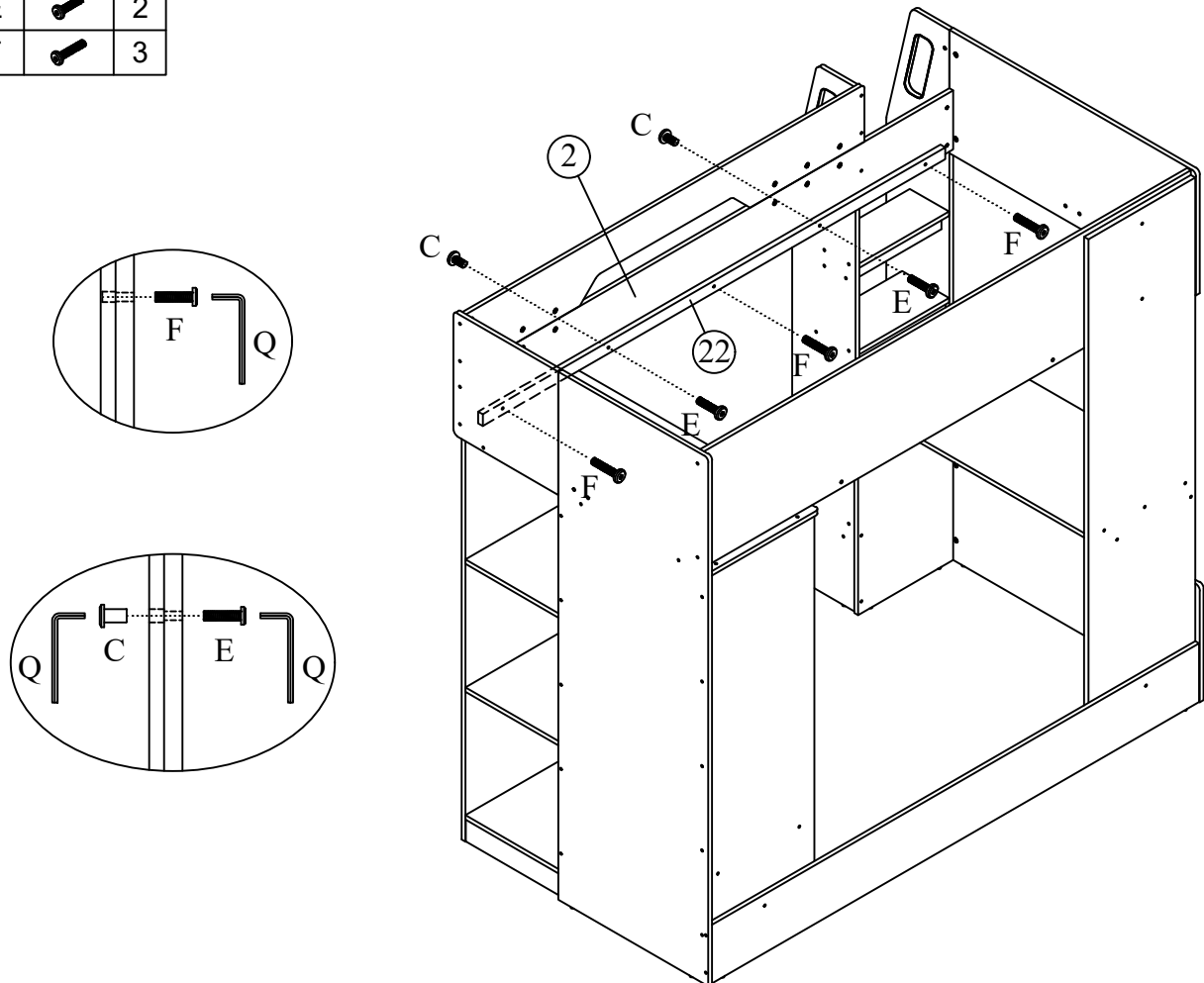
27

A		4
G		3






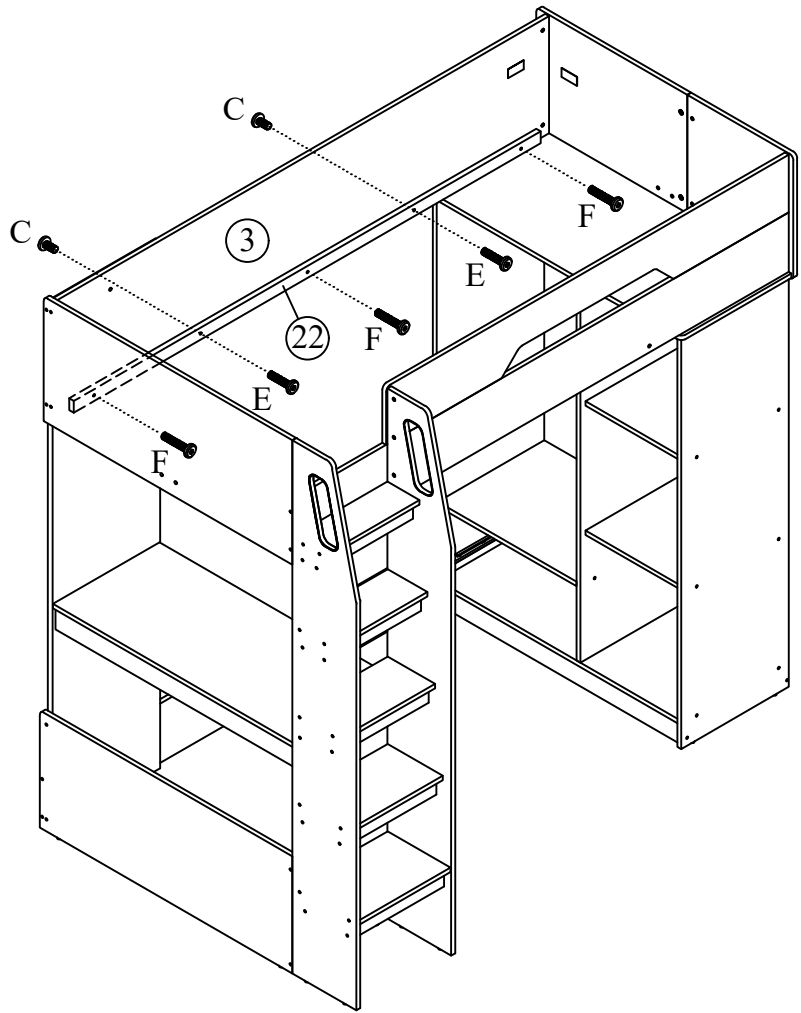
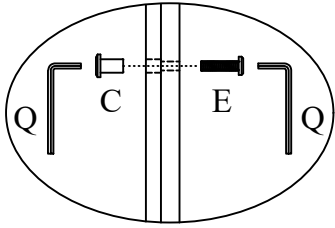
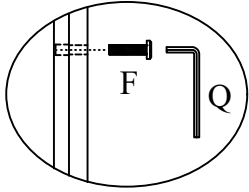
28

C		2
E		2
F		3






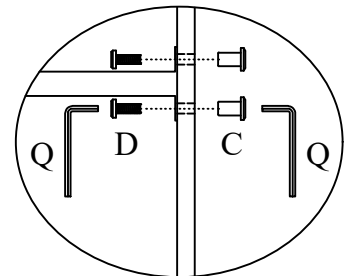
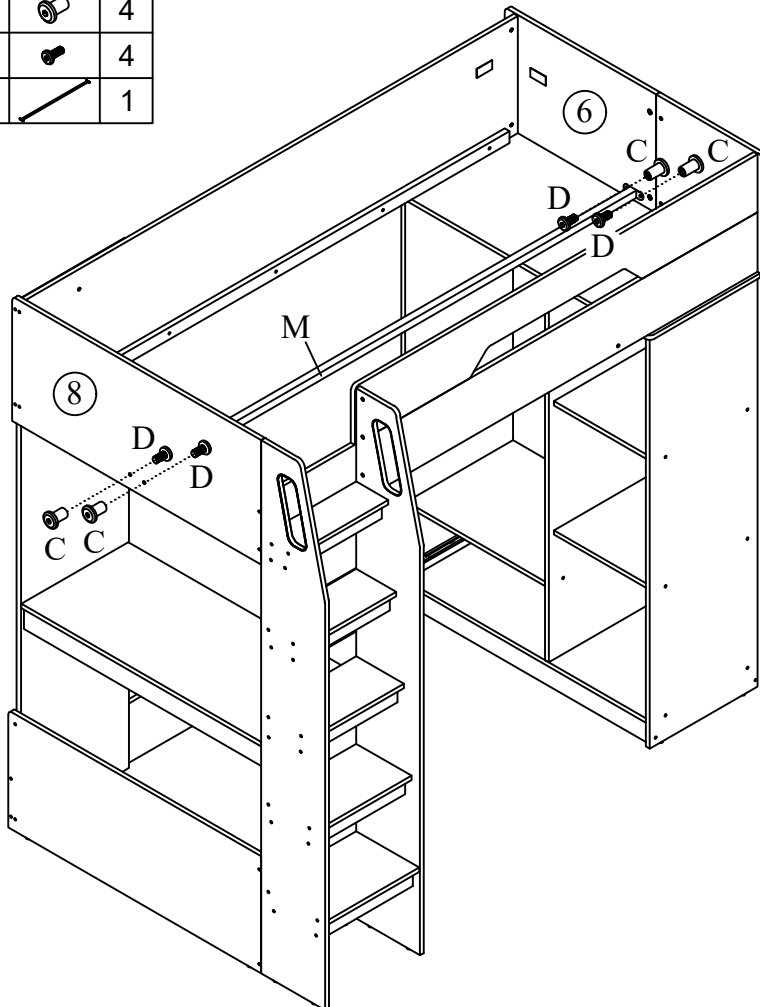
29

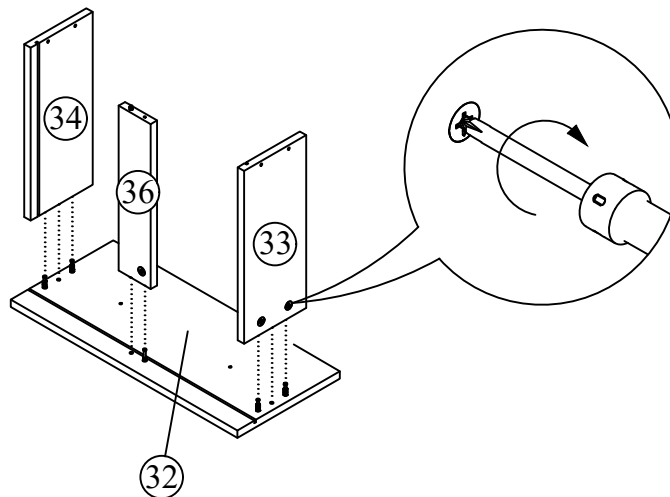
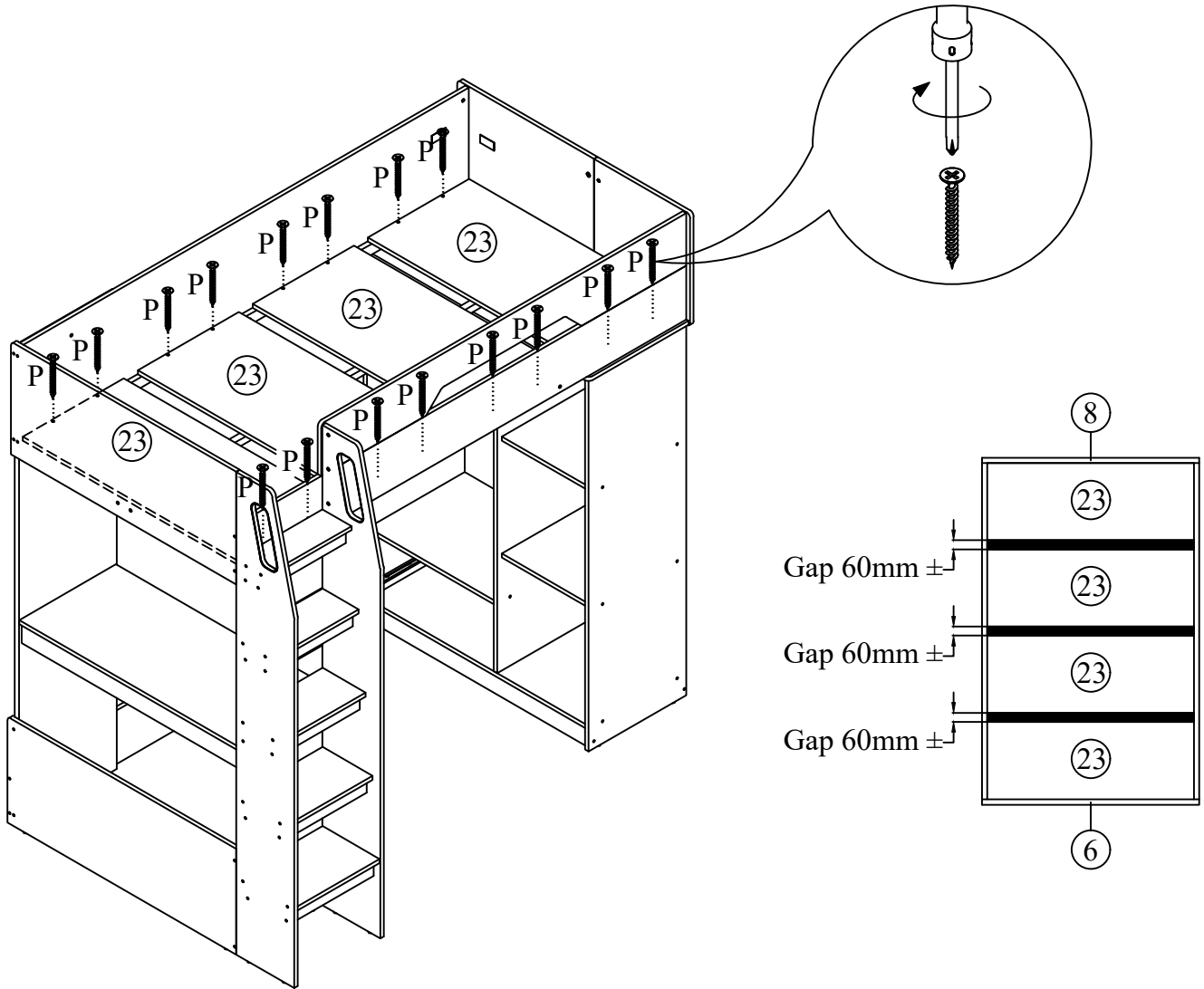
C		2
E		2
F		3



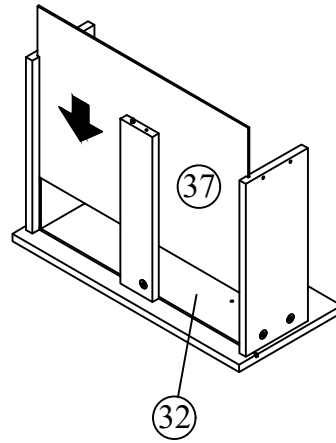
30

C		4
D		4
M		1




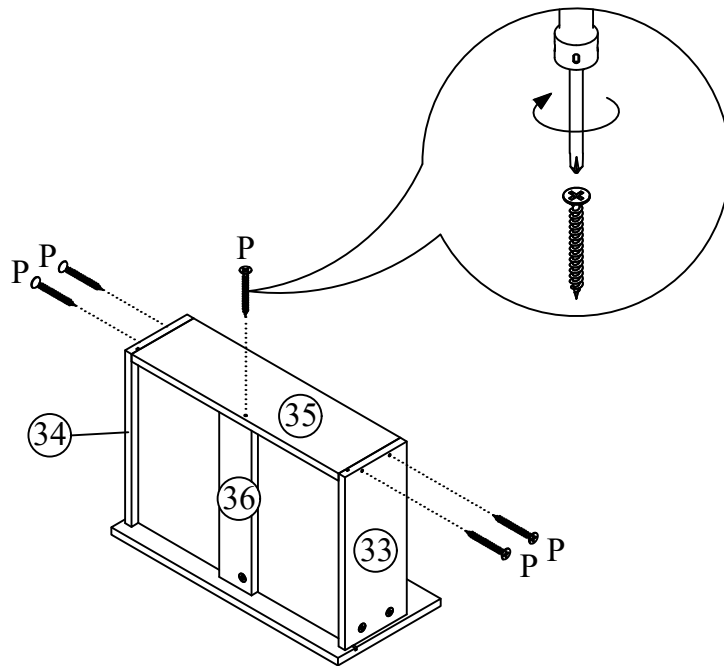


33





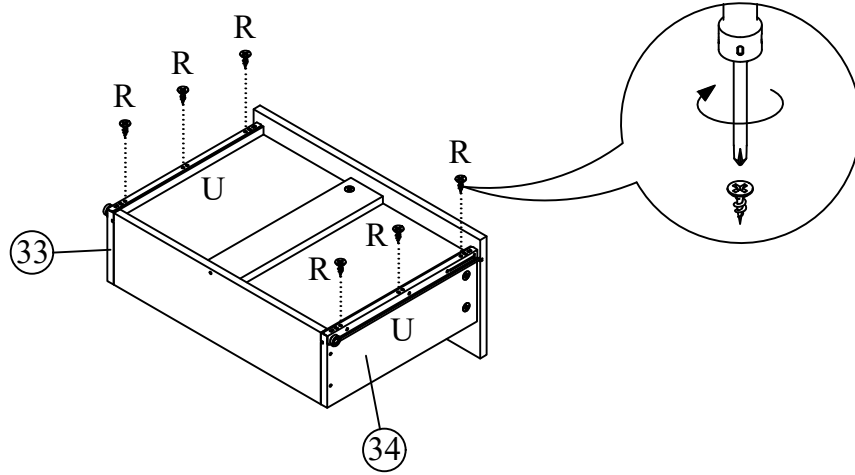
34



P		5
---	---	---



33

R		6
U		1

**34**

T		2
X		2

