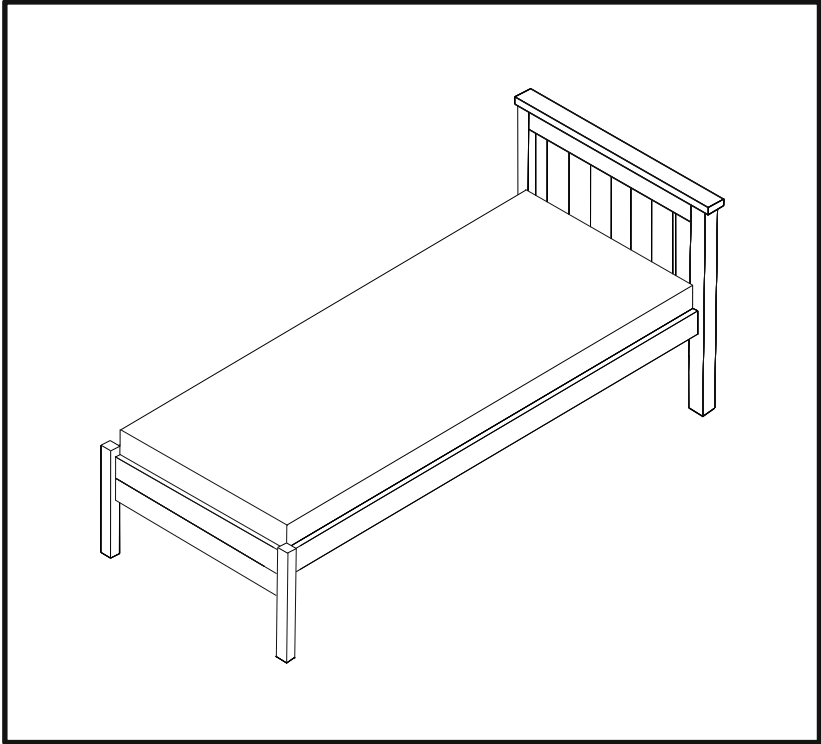


# Little Folks

- FURNITURE -



## Classic Single Bed

Code: SBD006

PLEASE READ CAREFULLY & KEEP FOR FUTURE REFERENCE

Thank you for buying a **Little Folks** piece of furniture

Treated properly it should be a faithful servant for years - and we hope you get the same amount of pleasure from it. Before you do

- please take a few minutes to read these instructions
- we suggest you carefully unpack everything, lay it out on a clean, flat floor and identify everything on the parts list in these instructions. Do not throw away any packaging until you are sure you have all the parts.

If you have any problems assembling the product please call our customer services on 01985 300588 and we will try and help. If for any reason you wish to return the product, you must disassemble the product and pack in the original packaging.

## Taking care of your product

Your furniture should require no more than a regular dust off with a soft cloth. If the furniture is not painted then a superior wood polish can be used - but never use polishes containing silicone.

If necessary it can be cleaned with a damp cloth with a mild detergent solution - and then dried with a lint-free cloth. Never clean with abrasives or chemical cleaners.

Direct sunlight or heat from a radiator can stain, discolour warp or crack furniture.

We know furniture can be heavy but try not to drag furniture across the floor as this can damage it.

## PRODUCT SAFETY

The recommended size of the mattress is 191cm x 90cm (6`3" x 3`0)

Periodically check all fittings to ensure that none have come loose.

Keep away from direct sources of heat, such as electric, gas or coal fires.

Do not allow children to Climb on the furniture.

Using this furniture other than for its intended purpose could cause damage to the structure or serious injury to your child.

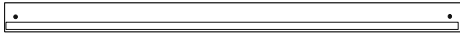
The Bed should not be used if any structural part is broken or missing.

If you can manage it, please try to persuade your children not to bounce on the bed.

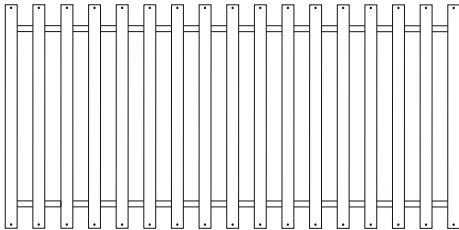
Warning: The child's bed should not be placed too close to other furniture or windows, blind cords, curtain pulls or other strings or cords, and should be placed either tight to any wall or have a gap of 300mm between the wall and the side of the bed.

If you have any problems please do contact us for help on email [customerservices@littlefolksfurniture.co.uk](mailto:customerservices@littlefolksfurniture.co.uk) or phone our **CUSTOMER SERVICES 01985 300588**

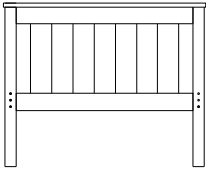
# Parts



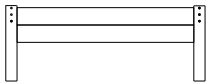
2 x mattress rails



1 x mattress base



1 x large end



1 x low footboard

# Fittings

4 x 9cm Bolts



4 x Barrel Nuts



8 x small Dowels



34 x Screws 3.5cm

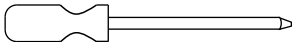


1 x Allen Key



# Tools Req

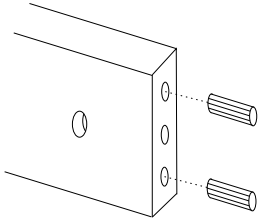
Screwdriver



## Fitting the rails

8 x small wooden dowels

Insert 2 wooden dowels into each end of each rail



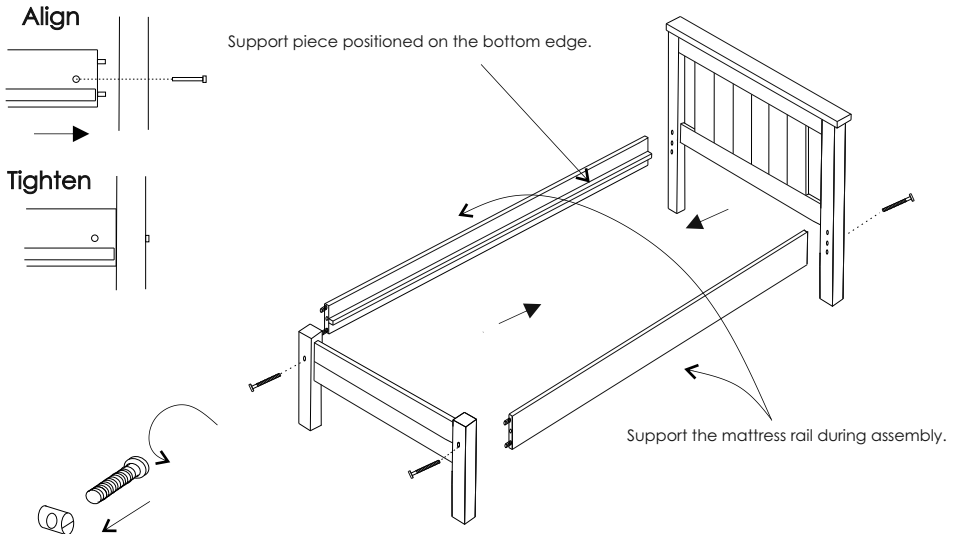
X 2

2 x mattress rails

## Building the bed frame (Two people)

4 x 9cm bolts and 4 x barrel nuts

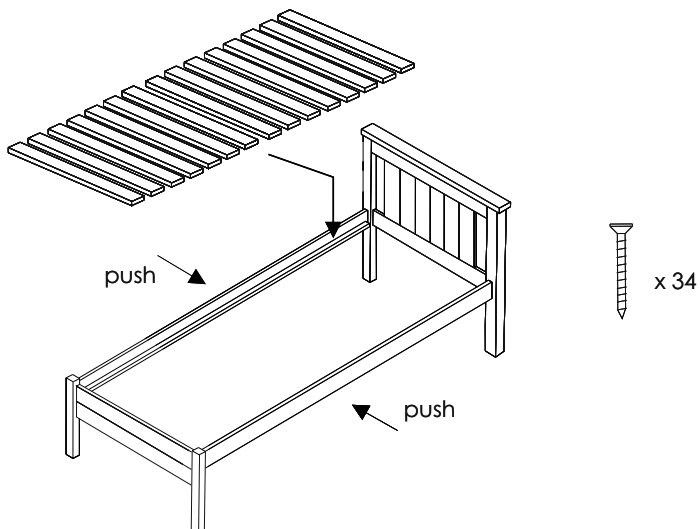
Build the bed with the parts positioned as shown. Locate the wooden dowels into the holes in the two bed frames. Insert a barrel nut into the hole at each end of the mattress rails, aligning it to connect to a long bolt fitted from the outside of the bed frames, rotate the bolts to tighten the bed frames.



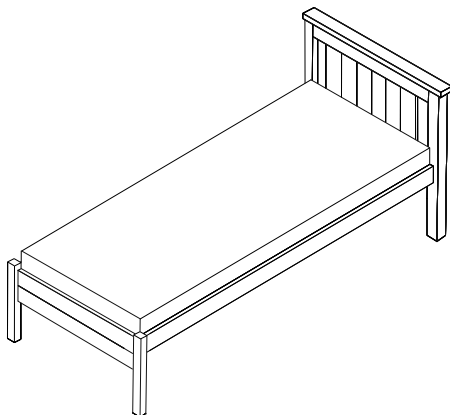
## Fix the mattress bases

34 x wood screws

Gently lay the mattress base out onto the support rails fitted to the inside of the bed. Stretch the base out so that the end slats are tight to the bed end frames. Now screw down every mattress slat making sure the bed remains parallel (some light pressure might be needed to push the siderail inwards at the middle of the rail)



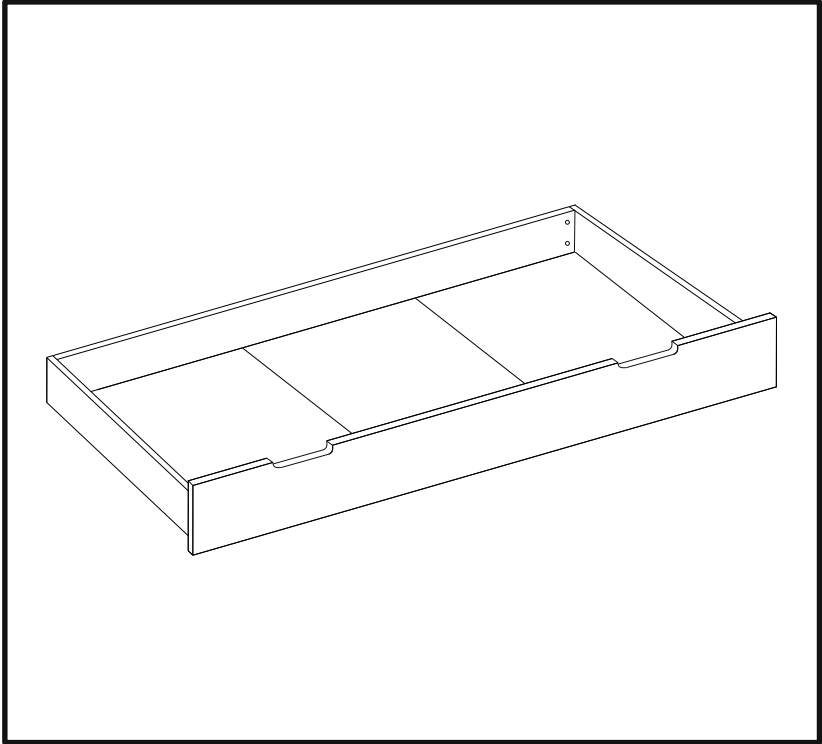
Locate the bed into it's final position and fit the mattress onto the bed.



Please take a few minutes to look over the bed to ensure that the fittings are securely fastened and the product is stable.

# Little Folks

- FURNITURE -



Classic Trundle bed

Code: TDL003

PLEASE READ CAREFULLY & KEEP FOR FUTURE REFERENCE

Thank you for buying a **Little Folks** piece of furniture

Treated properly it should be a faithful servant for years - and we hope you get the same amount of pleasure from it. Before you do

- please take a few minutes to read these instructions
- we suggest you carefully unpack everything, lay it out on a clean, flat floor and identify everything on the parts list in these instructions. Do not throw away any packaging until you are sure you have all the parts.

If you have any problems assembling the product please call our customer services on 01985 300588 and we will try and help. If for any reason you wish to return the product, you must disassemble the product and pack in the original packaging.

## Taking care of your product

Your furniture should require no more than a regular dust off with a soft cloth. If the furniture is not painted then a superior wood polish can be used - but never use polishes containing silicone.

If necessary it can be cleaned with a damp cloth with a mild detergent solution - and then dried with a lint-free cloth. Never clean with abrasives or chemical cleaners.

Direct sunlight or heat from a radiator can stain, discolour warp or crack furniture.

We know furniture can be heavy but try not to drag furniture across the floor as this can damage it.

## PRODUCT SAFETY

The recommended size of the mattress is 183cm x 76cm (6` x 2`6)

Periodically check all fittings to ensure that none have come loose.

Keep away from direct sources of heat, such as electric, gas or coal fires.

Do not allow children to Climb on the furniture.

Using this furniture other than for its intended purpose could cause damage to the structure or serious injury to your child.

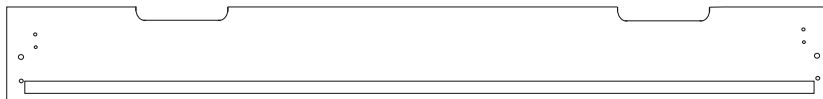
The Bed should not be used if any structural part is broken or missing.

If you can manage it, please try to persuade your children not to bounce on the bed.

Warning: The child`s bed should not be placed too close to other furniture or windows, blind cords, curtain pulls or other strings or cords, and should be placed either tight to any wall or have a gap of 300mm between the wall and the side of the bed.

If you have any problems please do contact us for help on e mail [customerservices@littlefolksfurniture.co.uk](mailto:customerservices@littlefolksfurniture.co.uk) or phone our **CUSTOMER SERVICES 01985 300588**

# Parts list



1x Front Panel



1x Rear Panel



2 x Sides (left and right)



3 x bases

## Fittings

4 x Dowels 


10 x Fat Screws 

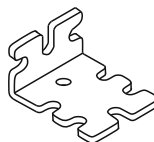
2 x Large Cams 

2 x Large Cam Pins 

4 x Bolts 6cm 

4 x Barrel Nuts 

12 x Screws 

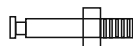


2 x Brackets



4x Castors

4x Castor Pins

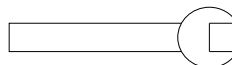


## Tools Req

Screwdriver 

1 x Allen Key 

Spanner (supplied)

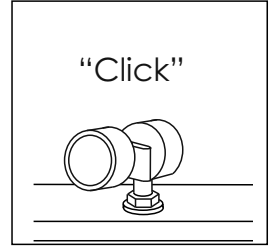
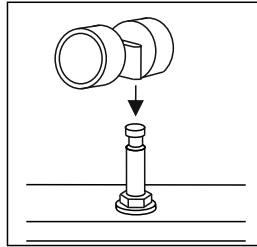
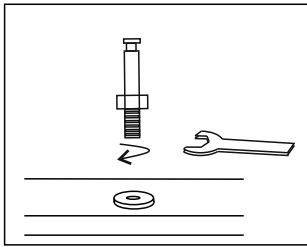
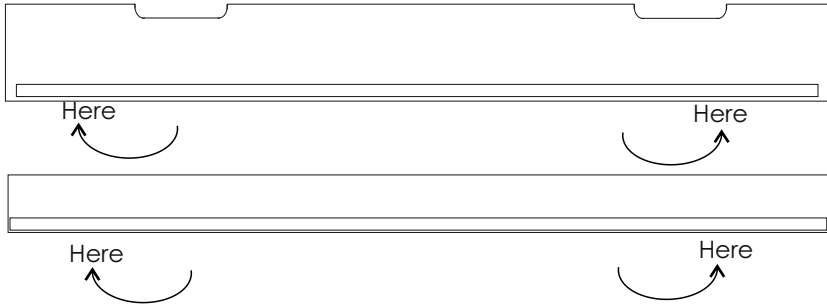




## Fit the Castors

4 x castor pins, 4 x castors and the spanner.

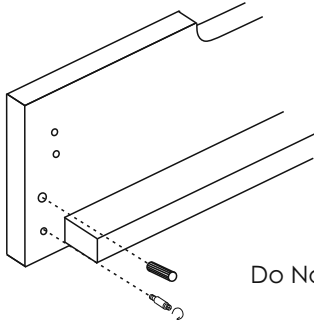
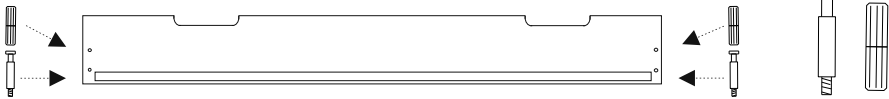
Screw the castor pins into the metal bushes that are fitted to the parts as shown. Once fully rotated into the bush, tighten with the spanner supplied. Now carefully push the wheeled castor onto the castor pin, you should hear a "click" when fully engaged.



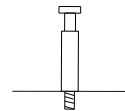
## Fit the Front panel

2 x wooden dowels and 2 x cam pins

Insert one dowel and one cam (rotate cam) into the holes at each end as shown.



Rotate Cam in up to shoulder

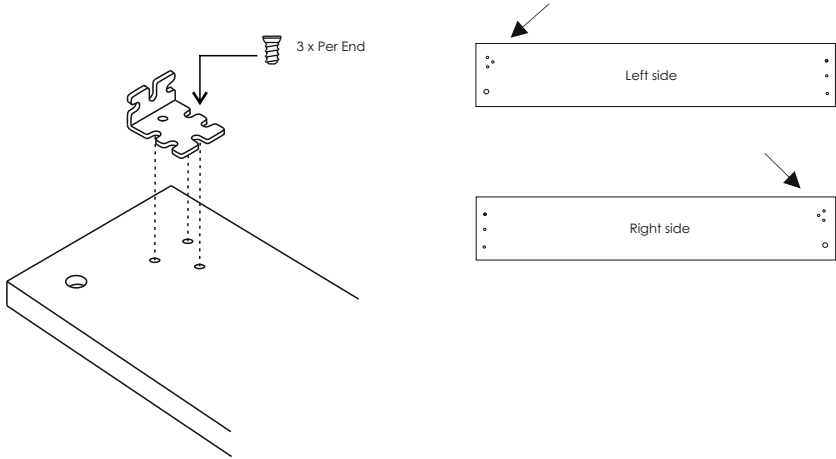


Do Not FORCE dowel "Gently insert"

## Fit the Sides

6 x Fat screws and 2 x brackets

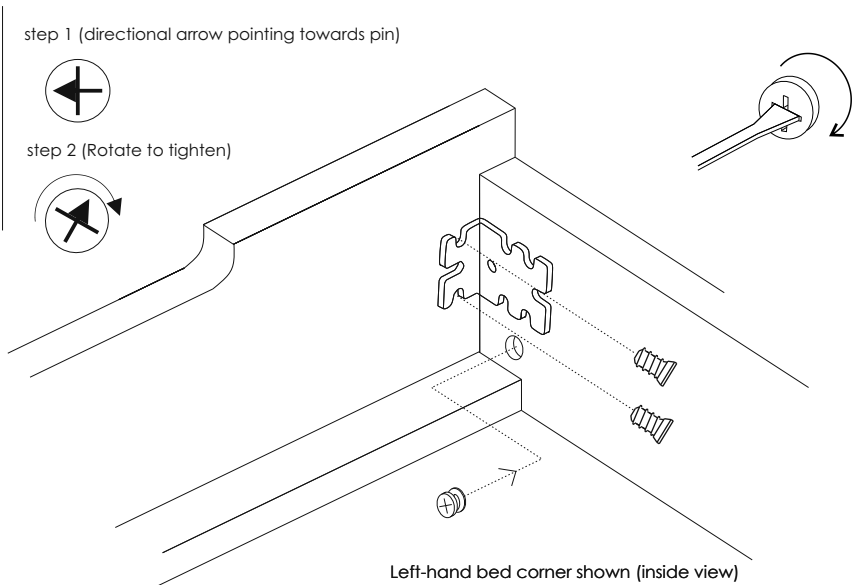
Screw the Brackets to the bed sides as shown.



## Assemble the front and sides

4x Fat screws and 2 x cams

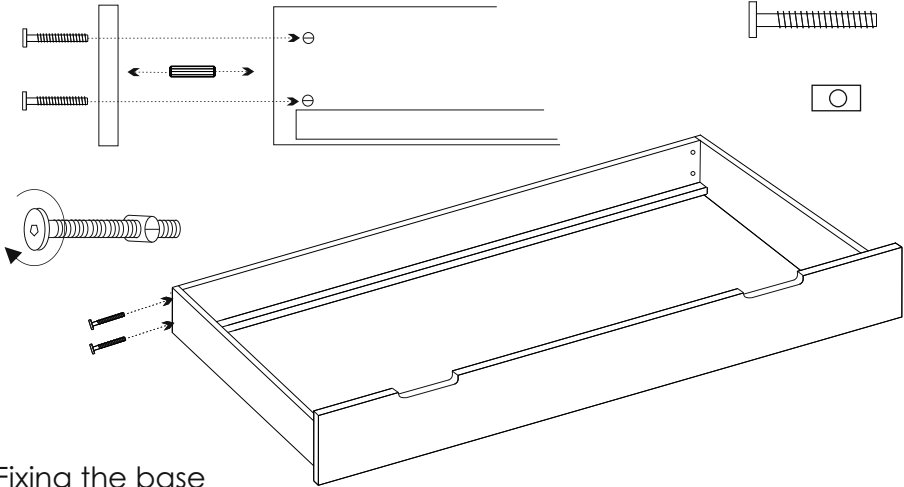
Align each side with the front panel fixings that you have already connected (cam pin and dowel) now press the side onto the front panel, once tight together insert the cam into the hole and rotate to tighten. Now insert the euro screws into the remaining holes in the front panel, tightening the bracket securely.



## Fit the rear panel

2 x wooden dowels, 4 x 6cm bolts and 4 x barrel nuts

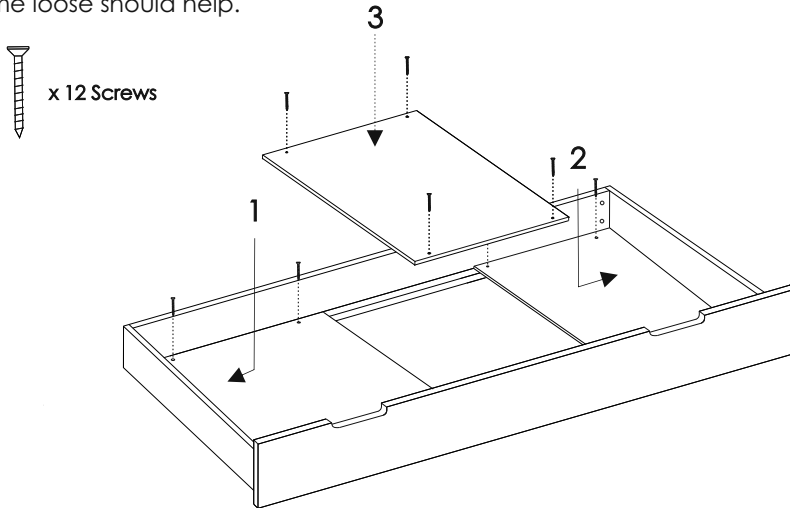
Insert a wooden dowel into the central holes at each end of the rear panel and slide the panel into place, as shown. Align the two bolt holes seen in each piece of the bed side and insert the bolts and connecting barrel nuts. Once located, LEAVE LOOSE until the base boards are fitted.



## Fixing the base

12 x Wood screws

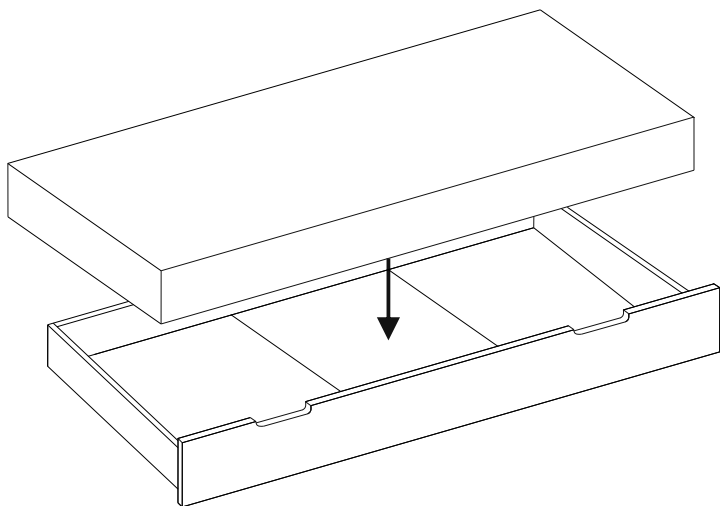
Drop the 3 x base boards into the starting at each end with the centre panel being last to fit. These boards can be a little fiddly to fit and in keeping the rear main frame loose should help.



Now tighten all the frame fittings up to secure the bed.

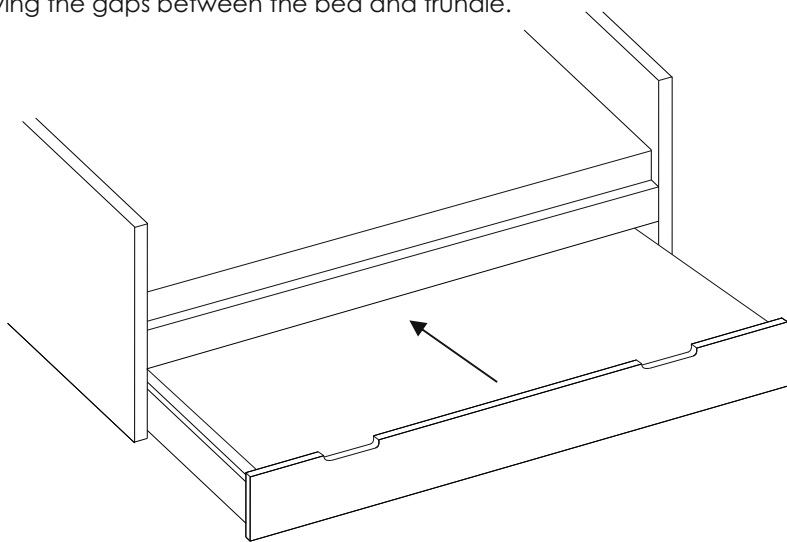
Fit the mattress (if applicable)

Gently place the mattress into the trundle bed frame.



Locate the trundle

Gently roll the trundle bed under the upper bed taking care when positioning, observing the gaps between the bed and trundle.



Please take a few minutes to look over the bed to ensure that the fittings are securely fastened and the product is stable.