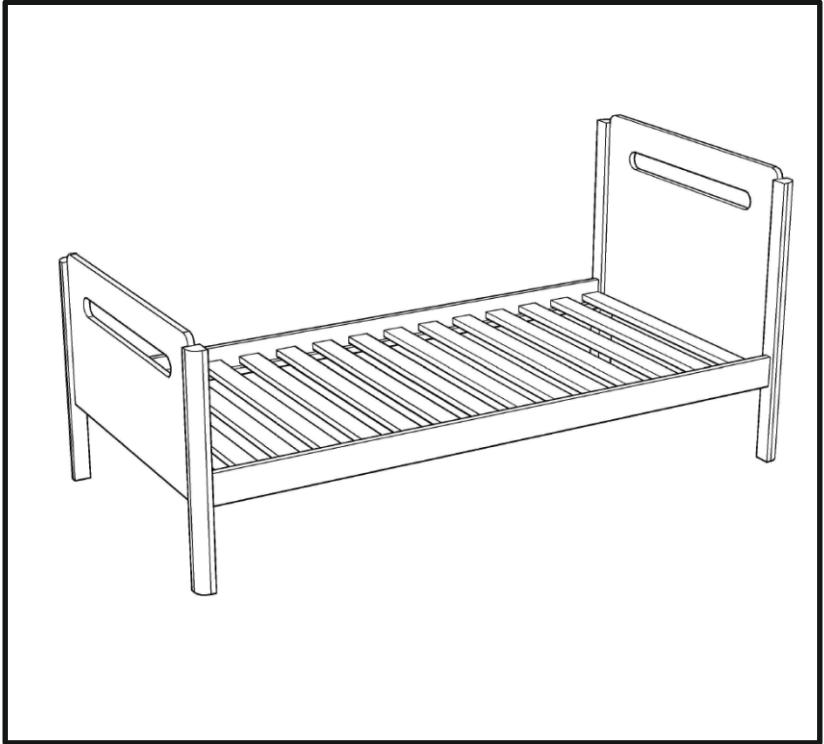


Little Folks

- FURNITURE -



Edit Single Bed

Code: SBD001

PLEASE READ CAREFULLY & KEEP FOR FUTURE REFERENCE

Thank you for buying a **Little Folks** piece of furniture

Treated properly it should be a faithful servant for years - and we hope you get the same amount of pleasure from it. Before you do

- please take a few minutes to read these instructions
- we suggest you carefully unpack everything, lay it out on a clean, flat floor and identify everything on the parts list in these instructions. Do not throw away any packaging until you are sure you have all the parts.

If you have any problems assembling the product please call our customer services on 01985 300588 and we will try and help. If for any reason you wish to return the product, you must disassemble the product and pack in the original packaging.

Taking care of your product

Your furniture should require no more than a regular dust off with a soft cloth. If the furniture is not painted then a superior wood polish can be used - but never use polishes containing silicone.

If necessary it can be cleaned with a damp cloth with a mild detergent solution - and then dried with a lint-free cloth. Never clean with abrasives or chemical cleaners.

Direct sunlight or heat from a radiator can stain, discolour warp or crack furniture.

We know furniture can be heavy but try not to drag furniture across the floor as this can damage it.

PRODUCT SAFETY

The recommended size of the mattress is 191cm x 90cm (6`3" x 3`0)

Periodically check all fittings to ensure that none have come loose.

Keep away from direct sources of heat, such as electric, gas or coal fires.

Do not allow children to Climb on the furniture.

Using this furniture other than for its intended purpose could cause damage to the structure or serious injury to your child.

If you can manage it, please try to persuade your children not to bounce on the bed.

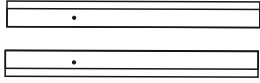
Always follow the manufacture`s instructions.

Warning: The child`s bed should not be placed too close to other furniture or windows, blind cords, curtain pulls or other strings or cords, and should be placed either tight to any wall or have a gap of 300mm between the wall and the side of the bed.

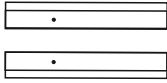
WARNING: Do not use the bed if any structural part is broken or missing; Please ensure that good ventilation is maintained within the room in order to keep humidity low and to prevent mould in and around the bed.

If you have any problems please do contact us for help on email customerservices@littlefolksfurniture.co.uk or phone our **CUSTOMER SERVICES 01985 300588**

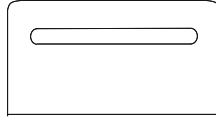
Parts



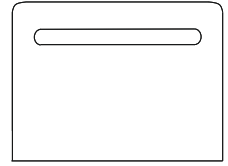
1 x large leg Right
1 x large leg Left



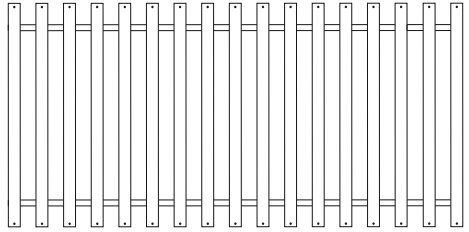
1 x small leg Left
1 x small leg Right



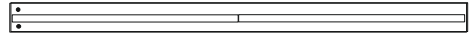
1 x small bed panel



1 x large bed panel



1 x mattress base



2 x mattress rails

Fittings

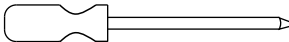
4 x Large Bolts 9cm 

8 x Small Dowels 

4 x Barrel Nuts 

34 x Screws 3cm 

Tools Req

Screwdriver 

1 x Allen Key provided 

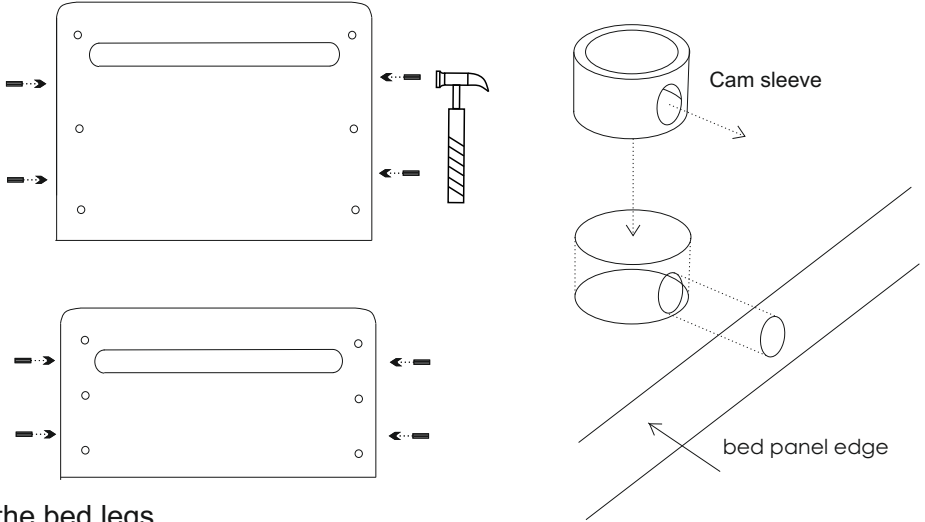
small hammer



Fit the bed panels

You need: 8 x wooden dowels & 8 cam sleeves

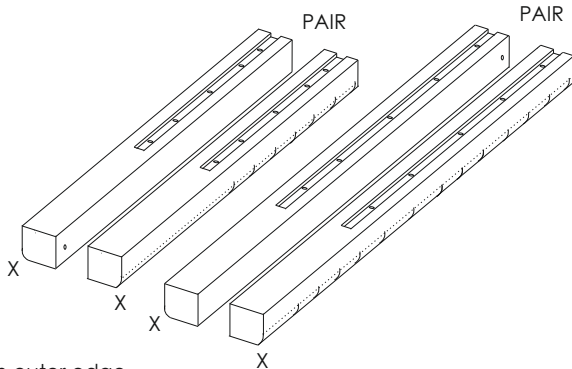
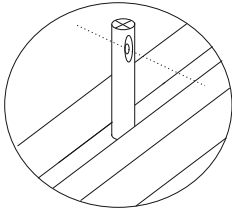
Lay each bed panel onto the floor (use packaging material to protect the parts) and gently insert (tap) the wooden dowels into the blind holes positioned on the bed panel edges ,as shown. Now gently insert the cam sleeves into the large holes on the flat face of each bed panel, orientating the internal holes.



Fit the bed legs

You need: 12 x cam pins

Lay the bed legs out carefully pairing up the legs using the outer curve on the legs as a reference. Screw a cam pin into each of the metal inserts located in the leg slot. Note that the cam pins need to have the eyelet hole at 90 degrees to the long leg edge, see diagram (the pins do not need to be screwed down tight, the alignment is more important).

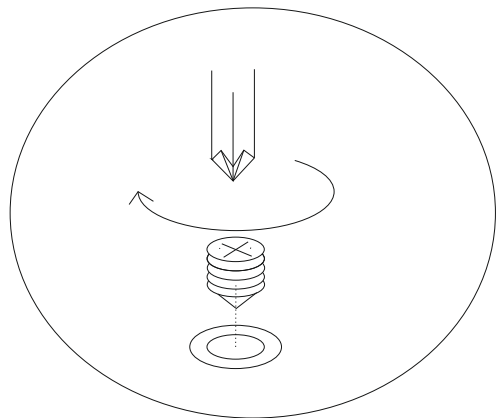
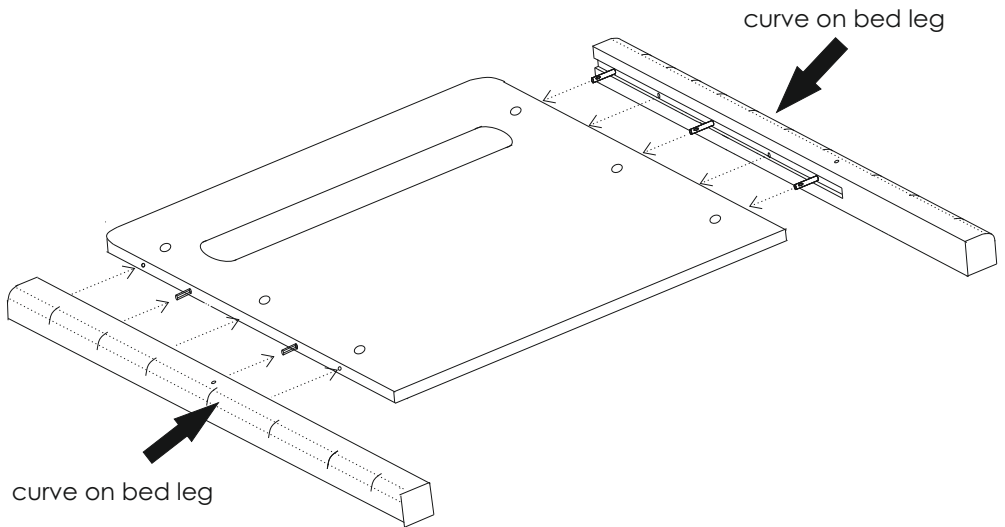


X = curve on outer edge

Making the large bed end

6 X cam grub screws

Align the large bed panel (panel with holes upwards) with the pair of large bed legs observing the position of the bed legs outer edge curves. Push the parts together. Now insert the cam grub screws into the cam sleeves and tighten down once aligned. Note ; if the bushes do not tighten check cam pin hole is facing upwards, rotate cam pin on the leg if required.

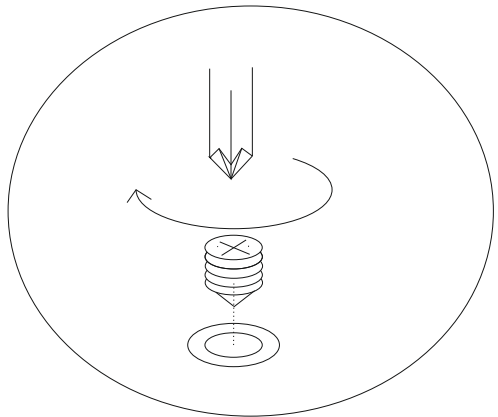
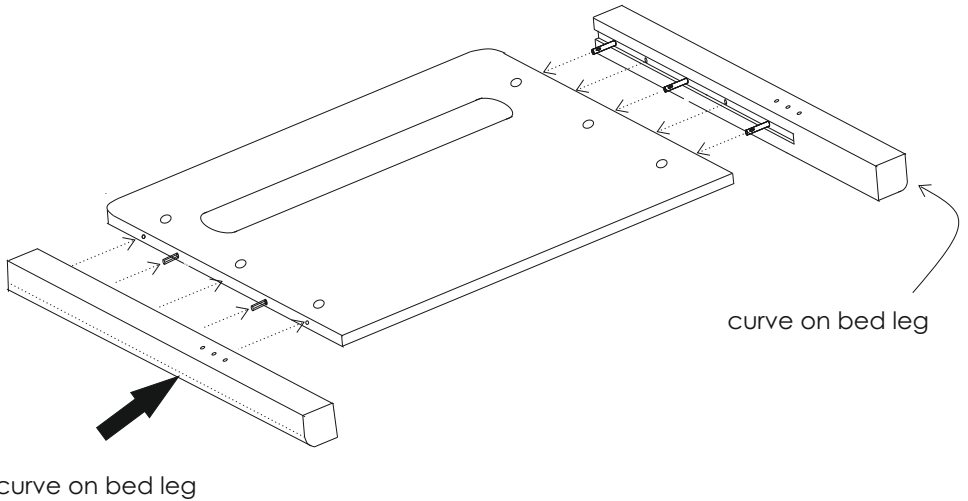


rotate Cam grub screw into the cam sleeve and tighten

Making the small bed end

6 x cam grub screws

Align the small bed panel (panel with holes upwards) with the small bed legs observing the position of the bed legs edge curves. Push the parts together, inserting the cam grub screws into the cam sleeves and tighten down once aligned. Note ; if the bushes do not tighten check cam pin hole is facing upwards, rotate cam pin on the bed legs required.



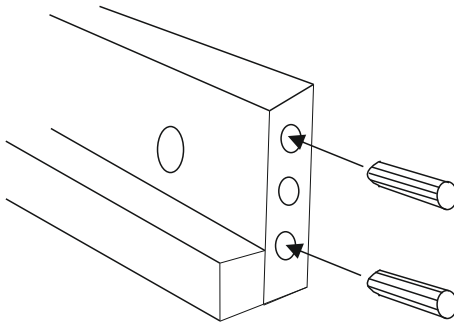
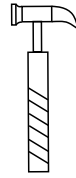
rotate Cam grub screw into the cam sleeve and tighten

Fitting the Rails

8 x small wooden dowels

Insert 2 wooden dowels into each end of each rail.

Gently tap dowels inwards until firmly in place.

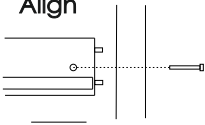


Making the bed frame. 4 x long Bolts 9cm, 4 x Barrel nuts (two people)

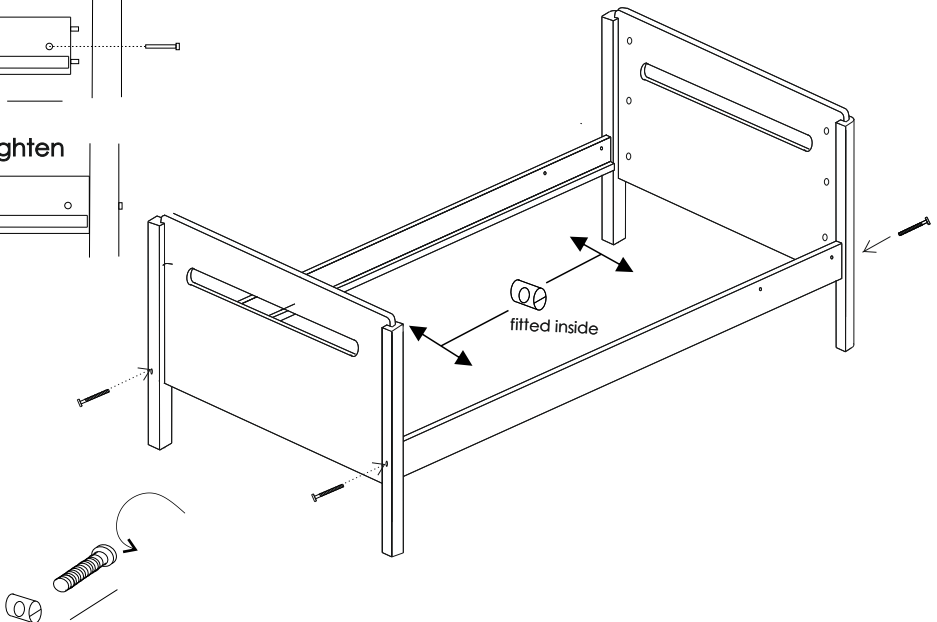
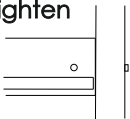
Select the large and small bed frames and both mattress rails, orientating the mattress rails with the inner support piece at the bottom.

Align the mattress rails with the dowels locating into the two bed leg holes, inserting the 9cm bolt centrally from the outside of the bed frame, engaging the barrel nut fitted from the inside.

Align



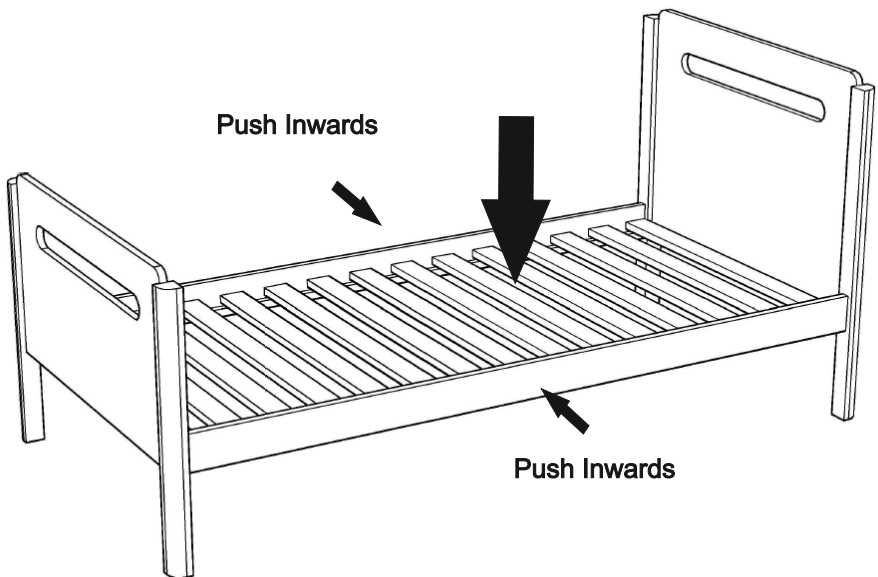
Tighten



Fit the bed mattress base

34 x screws

Carefully roll out the mattress base onto the mattress support pieces fitted on the inside of the mattress rails, webbing on the underside. Starting at one end of the bed, push the end lath tight up against the bed legs and screw in place using the two end holes in the lath. Now push the other end lath tight up against the bed legs at the opposite end of the bed, screwing down to secure. Once both ends of the base are fitted, position yourself at the centre of the bed, now fix each end of the central lath making sure that the lath is tight against the both mattress rails(some gentle inward pressure will help). Once these three laths are fixed, secure the remaining base laths, screwing down each lath in turn.



Some "light" inward pressure on both rails before screwing down the bed laths helps keep the bed parallel

Fit the mattresses.(two people)

Carefully lift the mattress onto the sleeping surface.

Please use the correct sized mattresses for this product.

PRODUCT SAFETY

Additional information

Periodically check that all assembly fixings are tightened properly, care should be taken to ensure that no fittings are loose.

Always follow the manufacture`s instructions.

Please ensure that good ventilation is maintained within the room in order to keep humidity low and to prevent mould in and around the bed;

WARNING Do not place this child`s bed near heat sources, windows and other furniture.

WARNING Do not use this child`s bed if any part is broken, torn or missing.

WARNING Hole covers Not suitable for children under 36 months due to choking hazard.

The bed can be dismantled for storage or transportation.

Children are likely to play, bounce, jump and climb on beds, therefore the child`s bed should not be placed too close to other furniture or windows, blind cords, curtain pulls or other strings or cords and should be placed either tight to any wall or have a gap of 300mm between the wall and the side of the bed.

Additional or replacement parts should be obtained from Little Folks Furniture.

Moving the bed

Do Not drag or twist the bed.

Lift the bed into place by supporting both the end bed frames and mattress rails, keeping the bed assembly all together and in unison. Removing the mattress will help reduce the overall weight of the bed.

