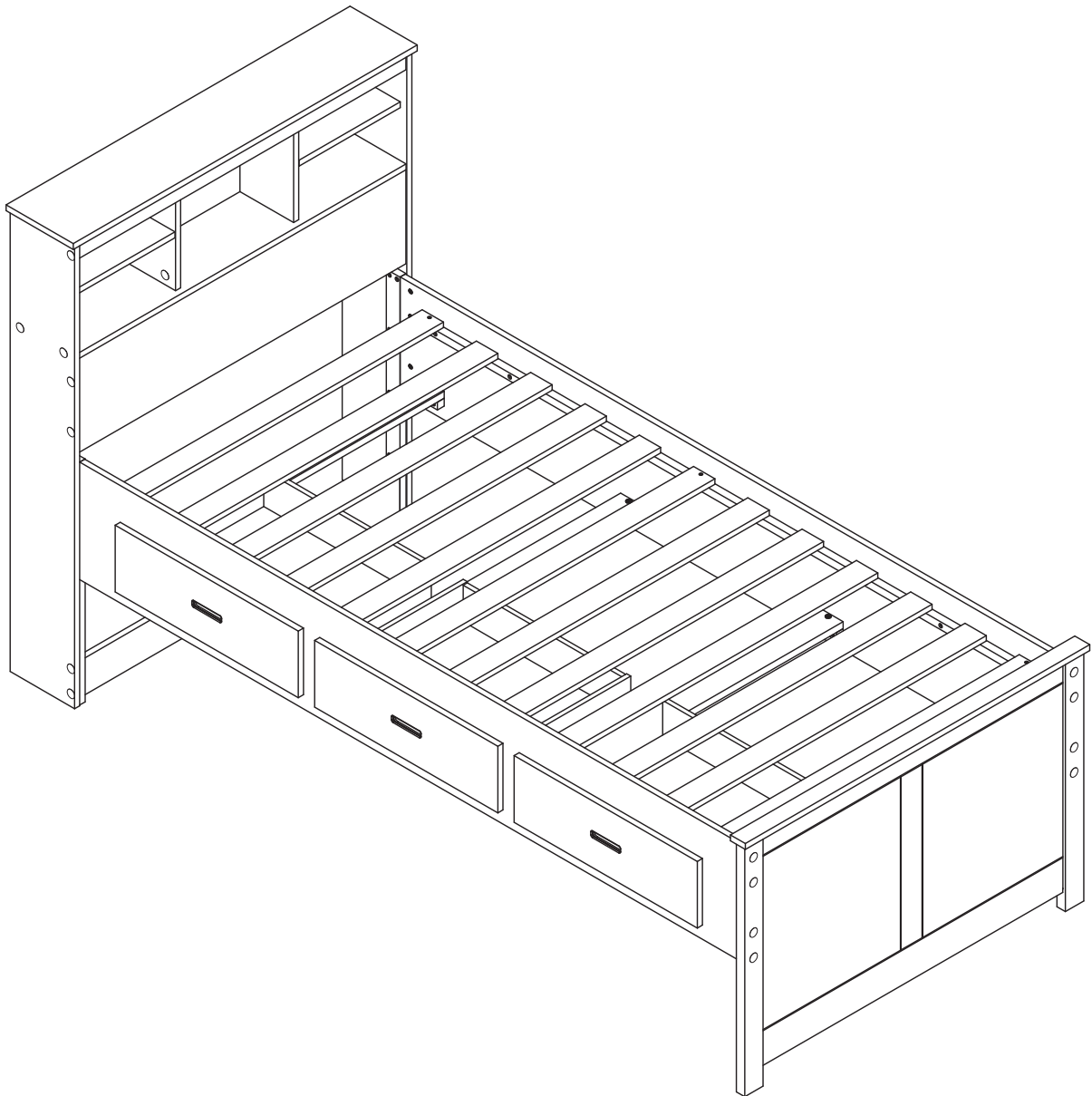


# Veera Guest Bed

## Assembly Instructions



# SAFETY ADVICE

Please take the time to carefully read through the whole of these instructions before you commence.

Keep these instructions for future reference.

Unpack, inspect and check of all of the contents.

Please dispose of all packing safely.

Small components parts could choke a child is swallowed.

We strongly recommend that you keep children well away from the work area.

It would be sensible to lay a sheet or blanket on the floor where you intend to work to avoid

Scratching this product and protect your floor.

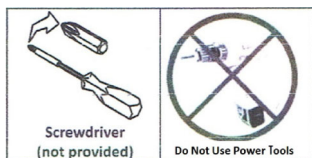
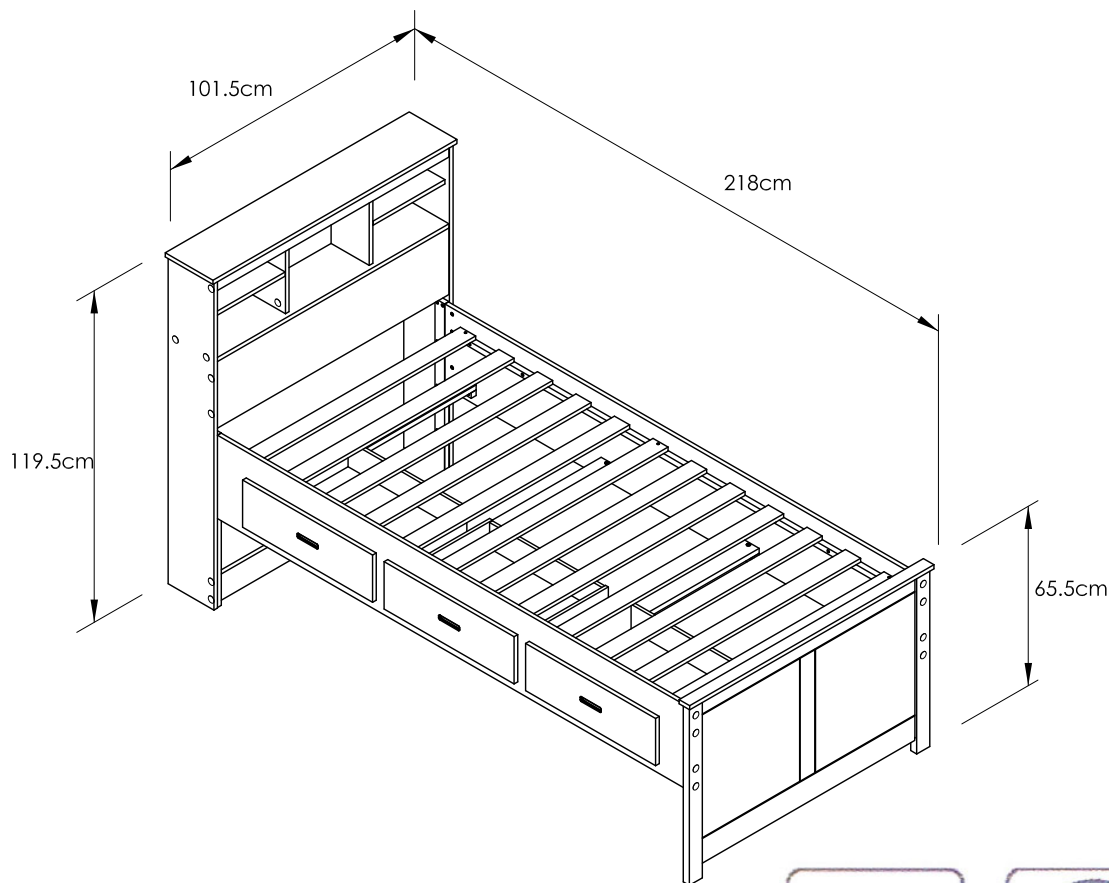
This product is heavy. Take extreme care when lifting to avoid personal injury or damage to the product.

This bed is heavy. Always lift this bed with two people.

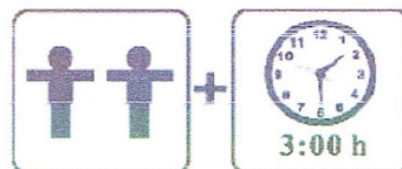
Assemble the product as close to its intended final position in the room as possible.

Keep any sharp object away from the bed frame.

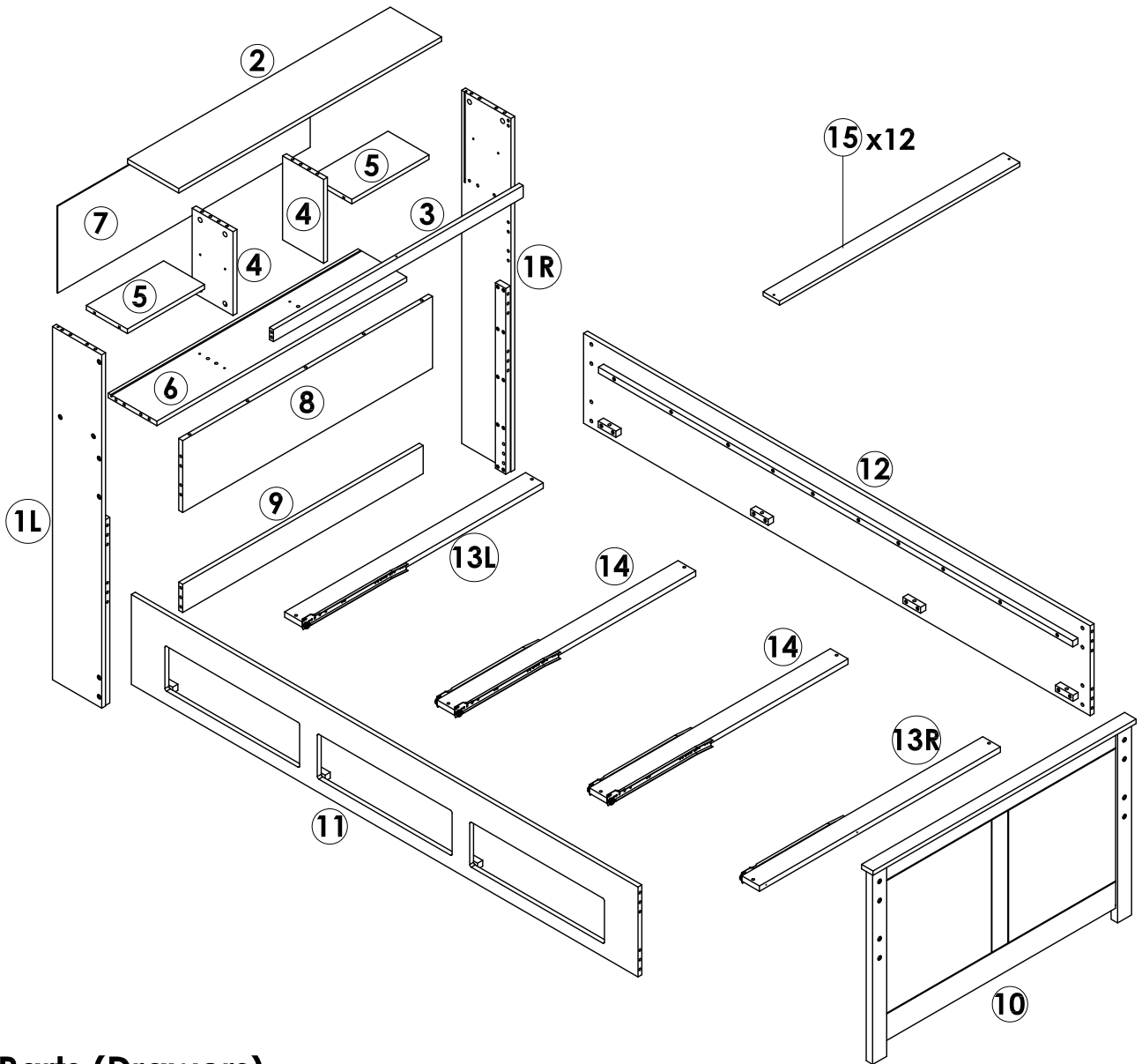
**HANDY HINT:** If you keep the hardware in a bowl during assembly you will be less likely to lose them.



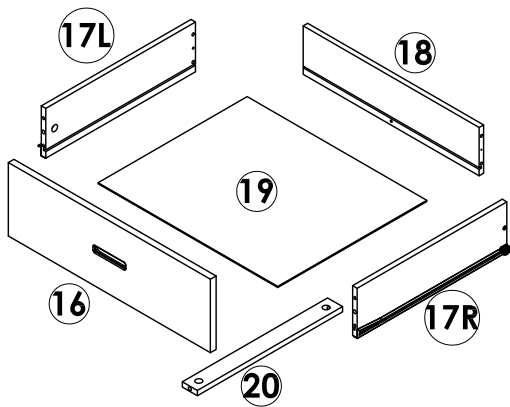
All Dimensions are approximates.



# Parts



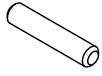
# Parts (Drawers)



**x3**

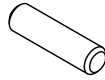
# Hardware

**A**



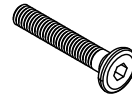
PLASTIC DOWEL (M6 x 30MM)  
**24 PCS**

**B**



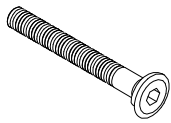
PLASTIC DOWEL (M8 x 30MM)  
**35 PCS**

**C**



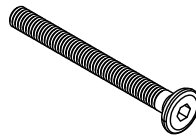
JCBC BOLT (M6 x 35MM)  
**8 PCS**

**D**



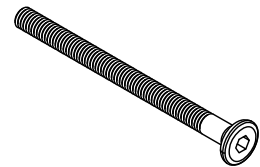
JCBC BOLT (M6 x 50MM)  
**10 PCS**

**E**



JCBC BOLT (M6 x 60MM)  
**8 PCS**

**F**



JCBC BOLT (M6 x 80MM)  
**12 PCS**

**G**



JRN NUT (M6 x 13MM)  
**30 PCS**

**H**



CONNECTING BOLT (24MM)  
**26 PCS**

**J**



MINIFIX (9MM)  
**12 PCS**

**K**



MINIFIX (12MM)  
**14 PCS**

**L**



CSK C/B SCREW (M4 x 32MM)  
**13 PCS**

**M**



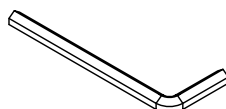
METAL SHELF SUPPORT 010  
**8 PCS**

**N**




ROUND STICKER (0.5 x 21MM)  
**26 PCS**

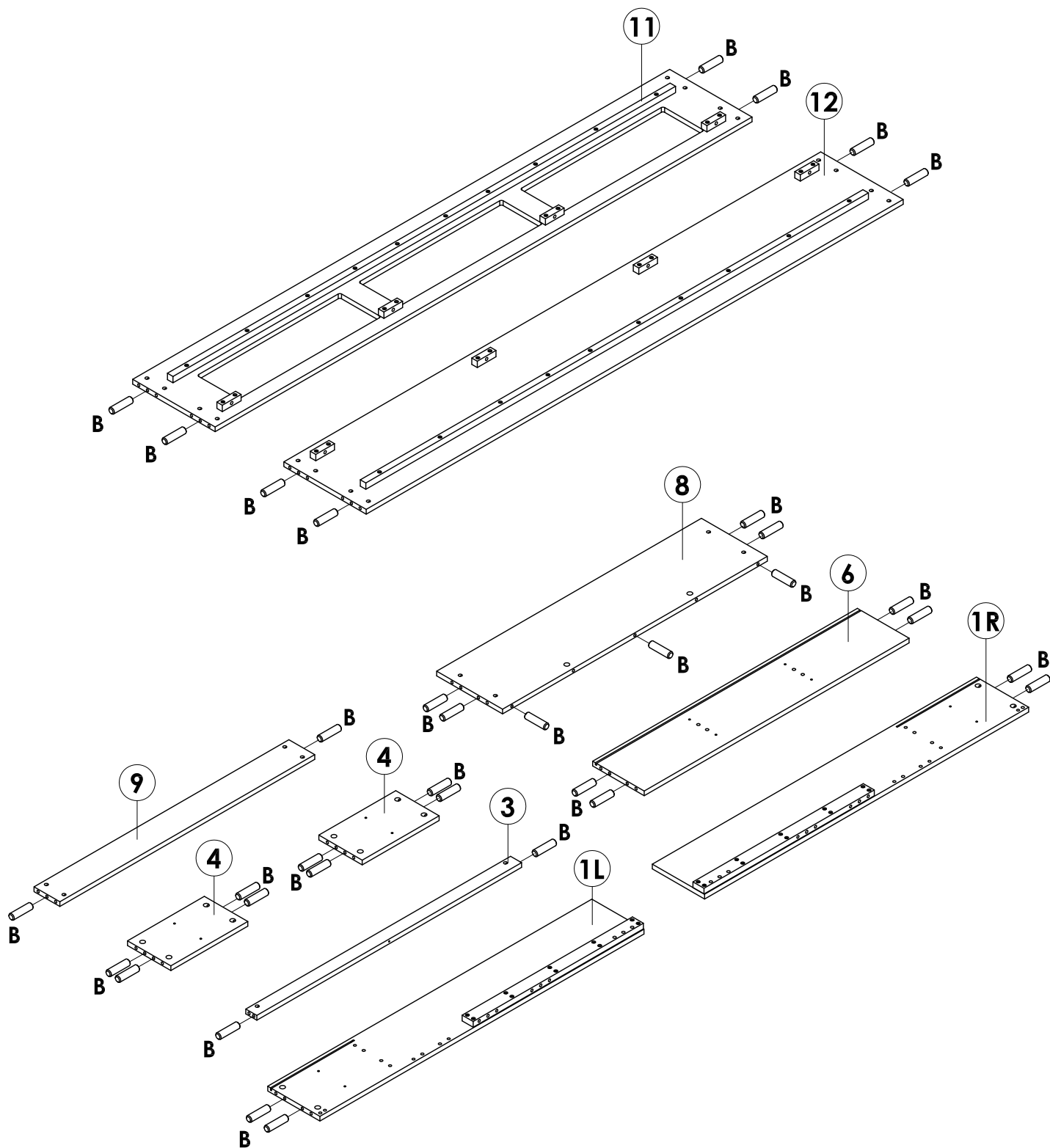
**P**



ALLEN KEY (M4 x 60MM)  
**1 PC**

STEP 1

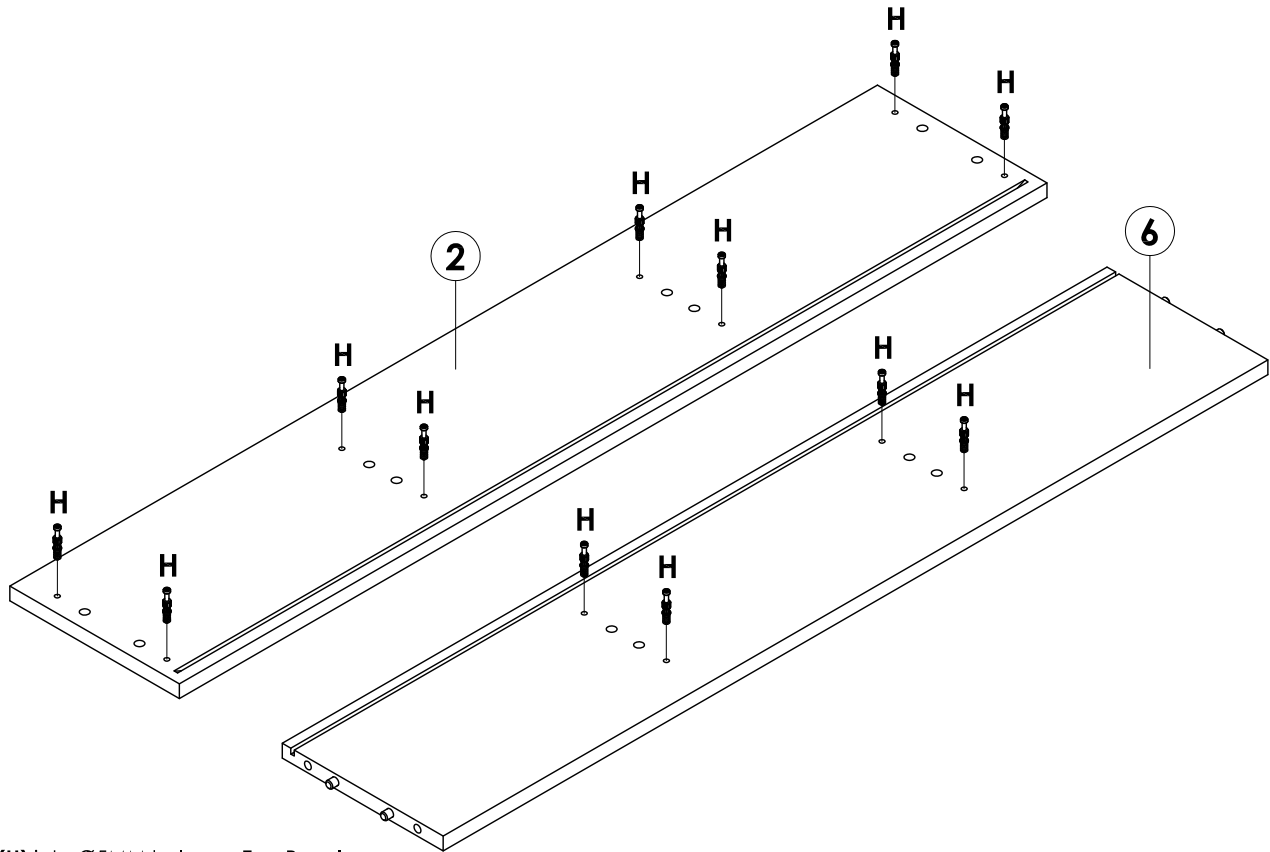
B		35
---	---	----



Insert (B) into Ø8MM holes on Side Panel L&R (Headboard), Top Rail (Headboard), Divider (Headboard) Bottom Shelf (Headboard), Front Panel (Headboard), Bottom Rail (Headboard), Side Rail (Left) and Side Rail (Right).

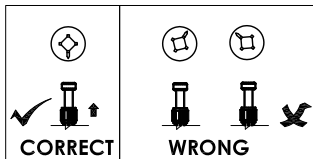
**STEP 2** DO NOT use any power tools as this may damage the bed frame and will invalidate any claim.

H		12
---	---	----





Insert (H) into Ø5MM holes on **Top Panel (Headboard)** and **Bottom Shelf (Headboard)**

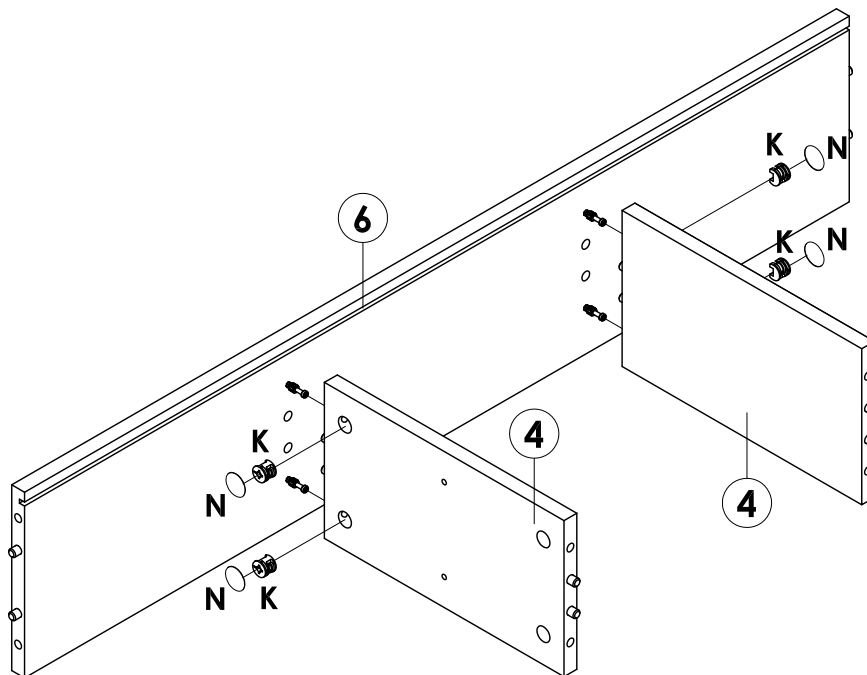
**STEP 3**



**WHEN FITTING CAMS**

ENSURE STARTING POSITION IS CORRECT BEFORE YOU INSERT CONNECTING BOLT TURN CLOCKWISE UNTIL SECURE.

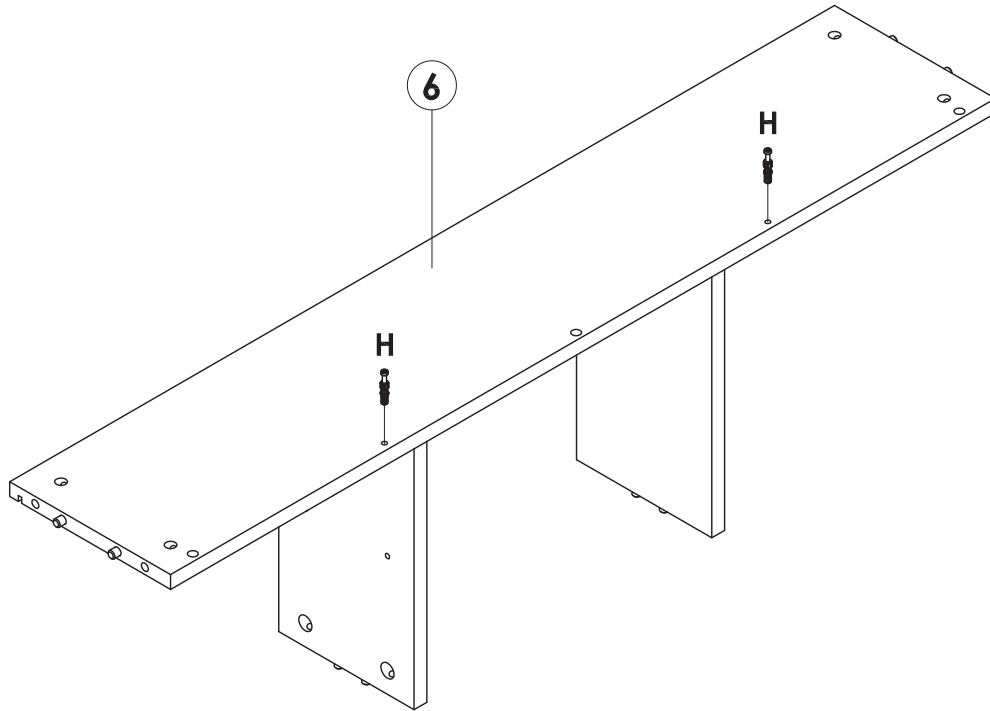
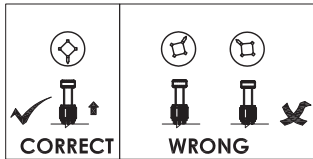
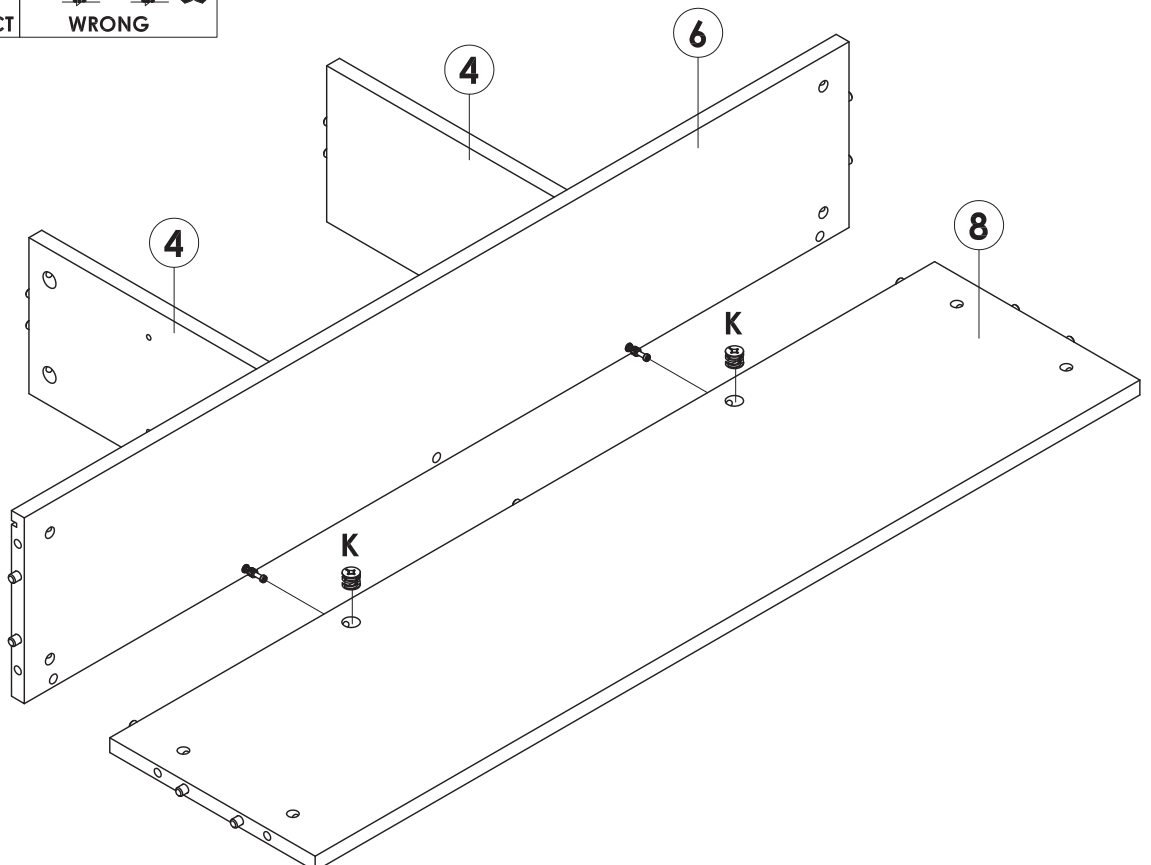
K		4
N		4








Attach and Secure **Divider (Headboard)** onto **Bottom Shelf (Headboard)** by using (K), tighten it up by using Crosshead screw driver. Follow it up by attaching (N) into screw holes.

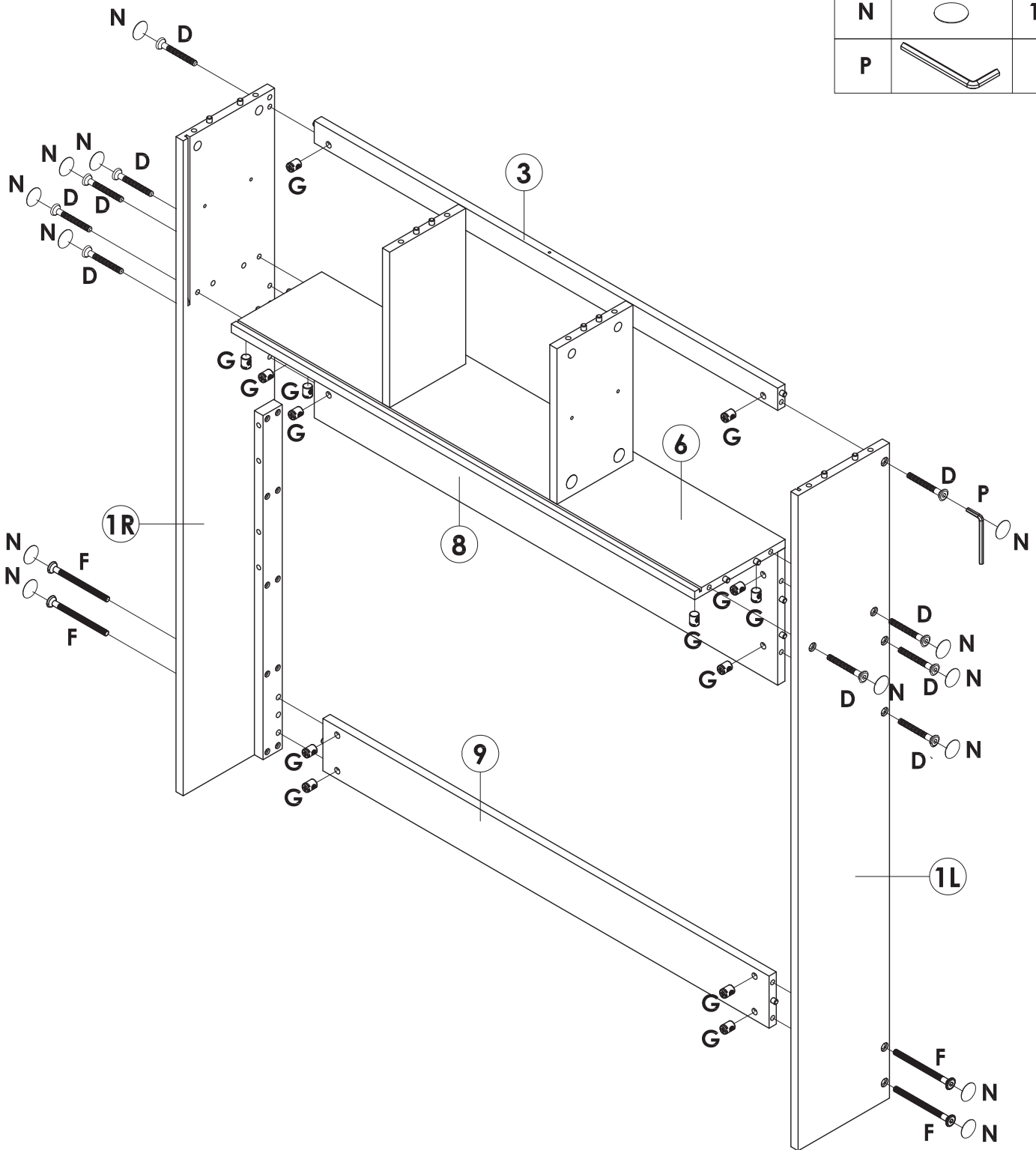
**STEP 4**

DO NOT use any power tools as this may damage the bed frame and will invalidate any claim.

**H****2**Insert **(H)** into Ø5MM holes **Bottom Shelf (Headboard)**.**STEP 5****WHEN FITTING CAMS**ENSURE STARTING POSITION IS CORRECT BEFORE YOU INSERT CONNECTING BOLT  
TURN CLOCKWISE UNTIL SECURE.**K****2**Attach and Secure **Bottom Shelf (Headboard)**  
onto **Front Panel (Headboard)** by using **(K)**.  
tighten it up by using Crosshead screw driver.

**STEP 6** DO NOT use any power tools as this may damage the bed frame and will invalidate any claim.

D		10
F		4
G		14
N		14
P		1

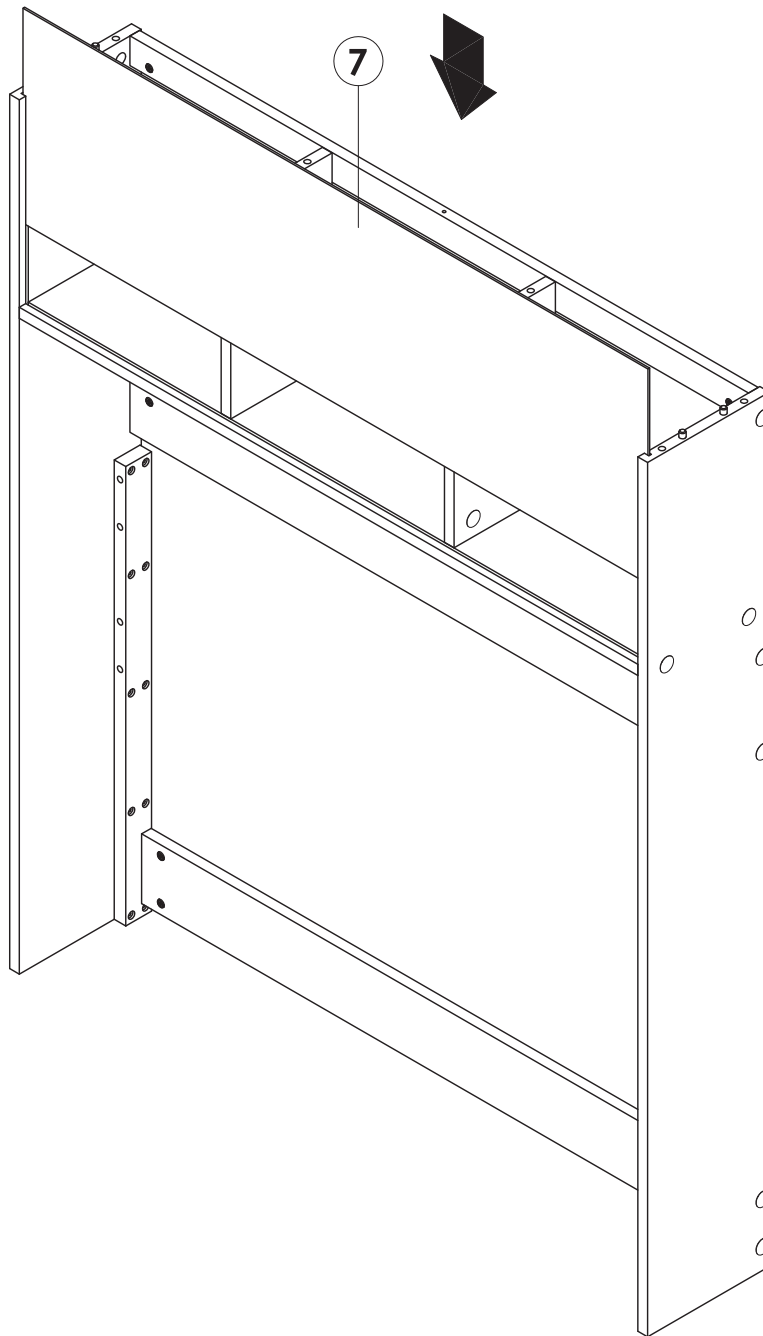


Attach and secure **Side Panel L&R (Headboard)** onto **Top Rail (Headboard), Bottom Shelf (Headboard), Front Panel (Headboard)** by using **(D)** and **(G)**, onto **Bottom Rail (Headboard)**, by using **(F)** and **(G)**, tighten it up by using **(P)**. Follow it up by attaching **(N)** into screw holes.



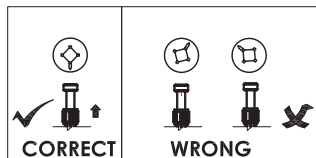
**STEP 7**

**Headboard Back View**



Slot **Back Panel** into **Side Panel L&R (Headboard)**.

## STEP 8

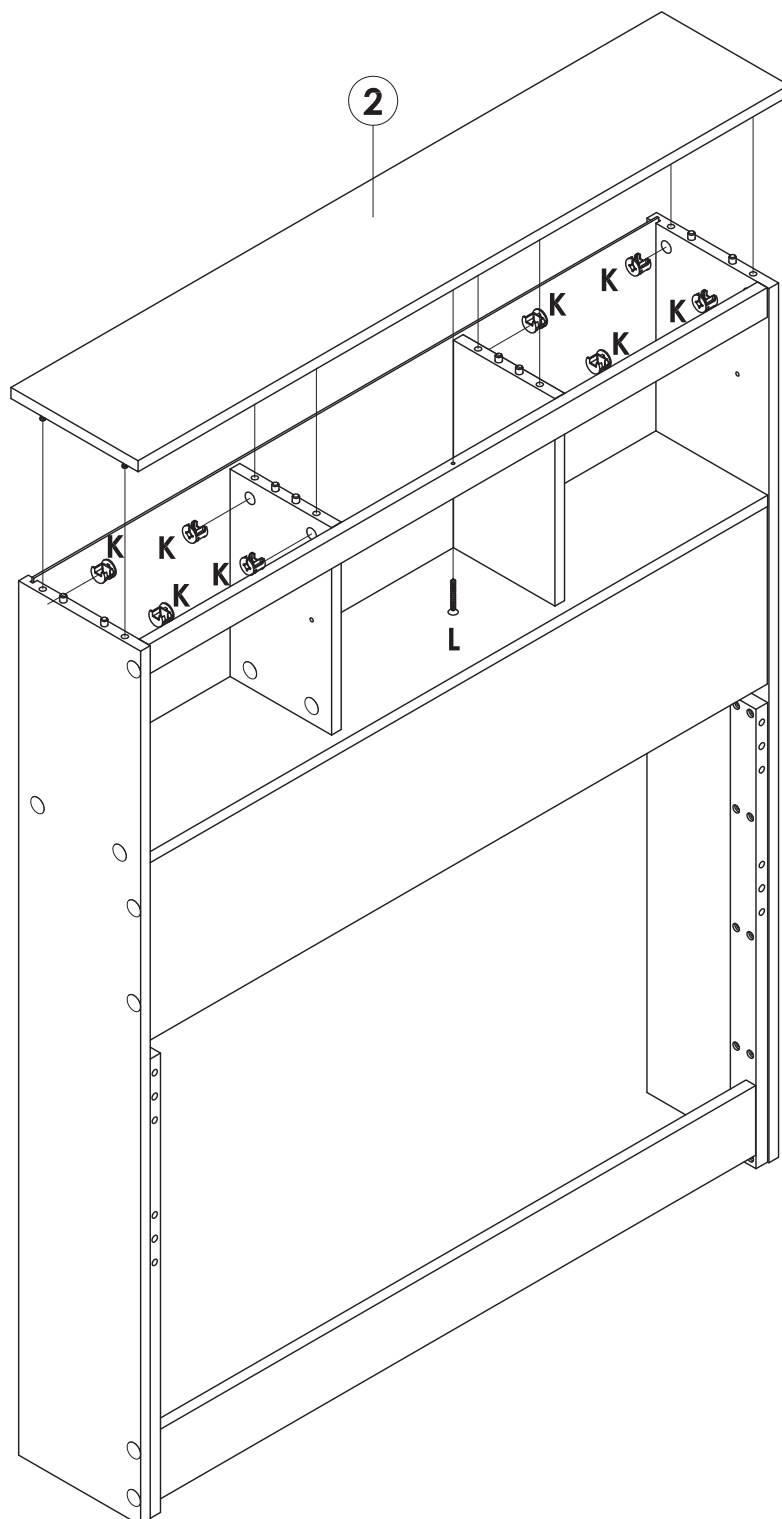


### WHEN FITTING CAMS

ENSURE STARTING POSITION IS CORRECT BEFORE YOU INSERT CONNECTING BOLT TURN CLOCKWISE UNTIL SECURE.

K		8
L		1

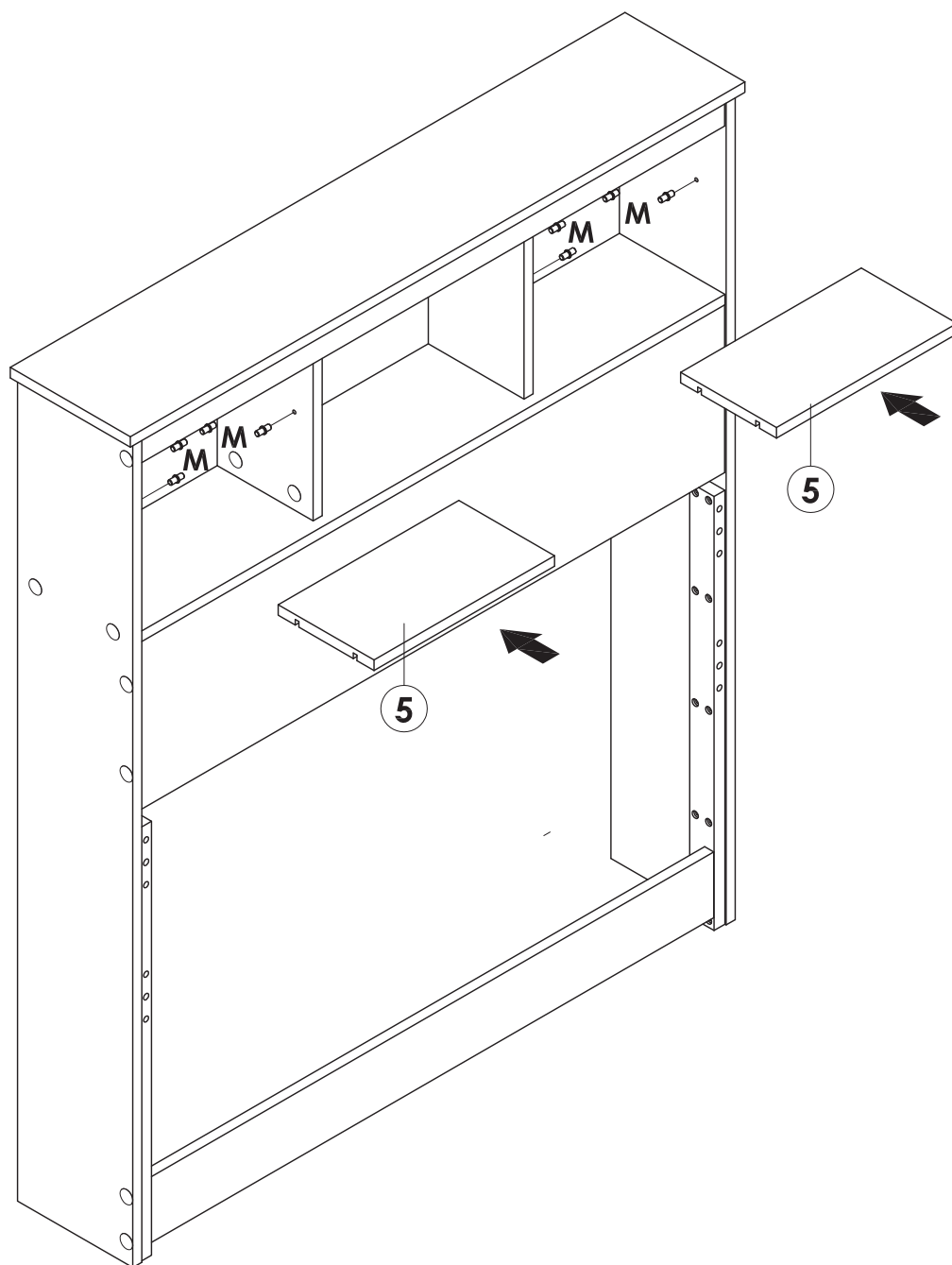
DO NOT use any power tools as this may damage the bed frame and will invalidate any claim.



Attach and Secure **Top Panel (Headboard)** onto **Side Panel L&R (Headboard)** by using (K) and (L), tighten it up by using Crosshead screw driver.






**STEP 9** DO NOT use any power tools as this may damage the bed frame and will invalidate any claim.

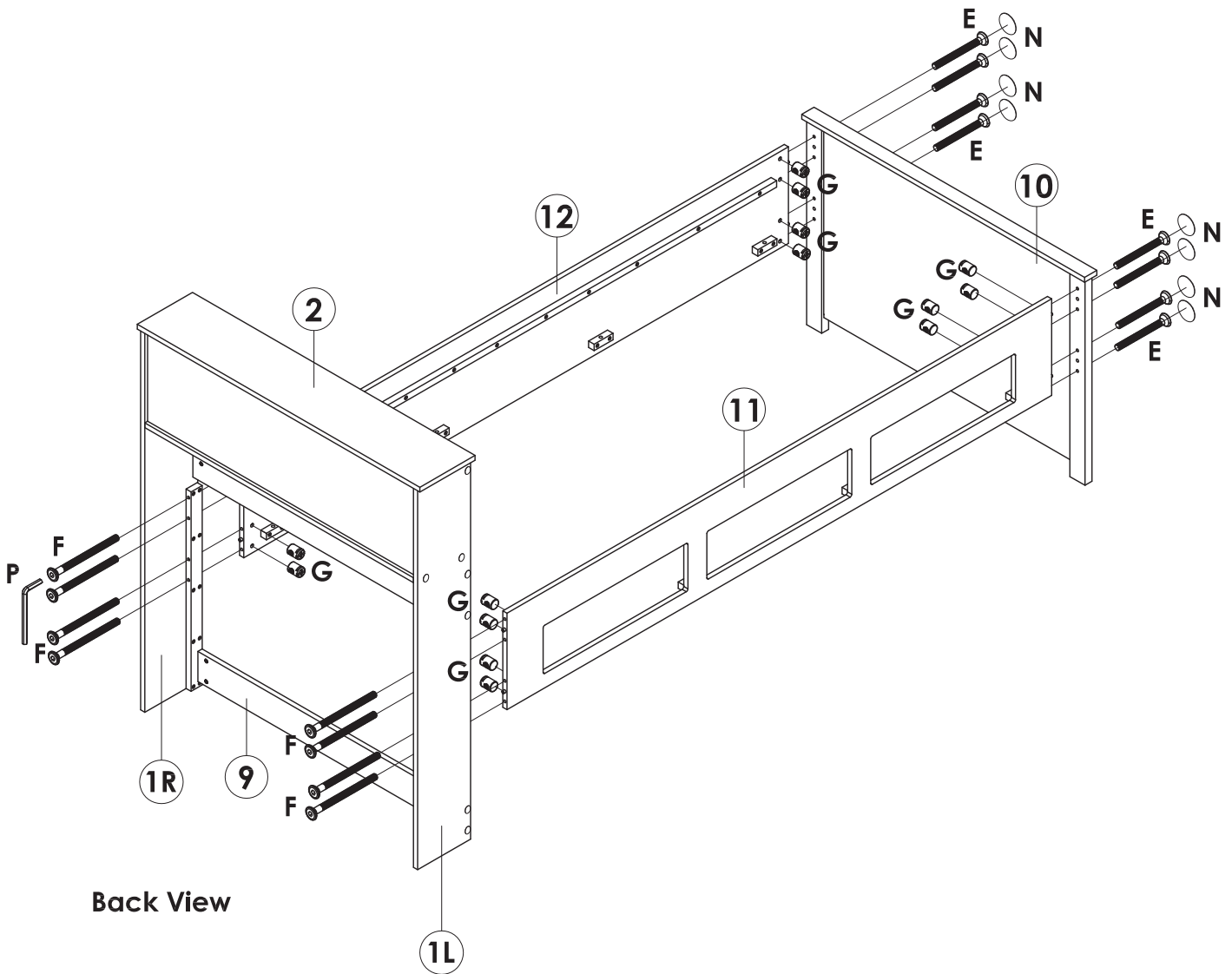
M		8
---	---	---



Insert **(M)** into Ø5MM holes on **Side Panel L&R (Headboard)** and **Divider (Headboard)**.  
Place **Top Shelf (Headboard)** as shown above.

**STEP 10** DO NOT use any power tools as this may damage the bed frame and will invalidate any claim.



E		8
F		8
G		16
N		8
P		1

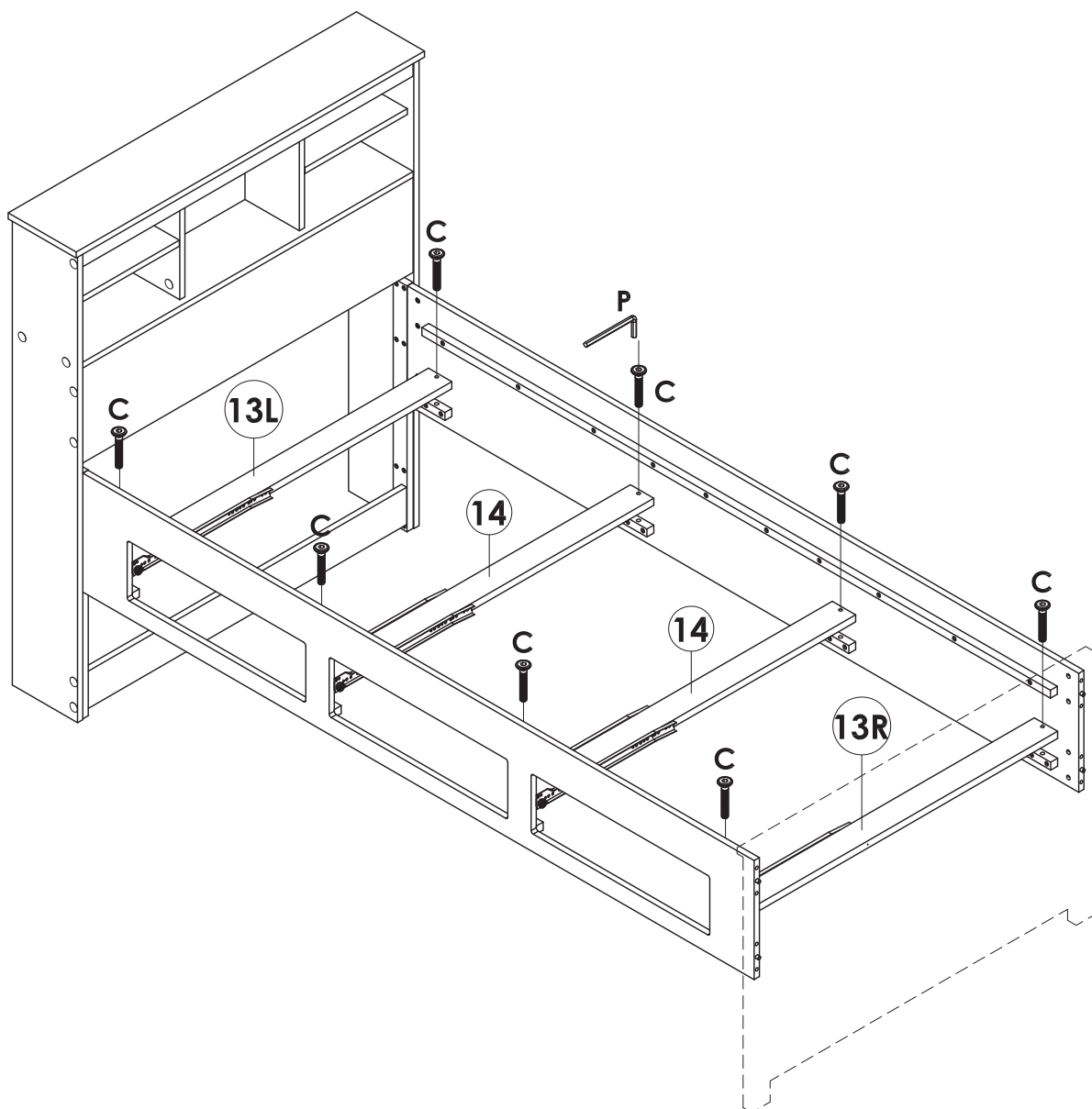


Back View

Attach and Secure **Side Rail (Left)** and **Side Rail (Right)** onto **Headboard** by using **(F)** and **(G)**, onto **Footboard** by using **(E)** and **(G)** tighten it up by using **(P)**. Follow it up by attaching **(N)** into screw holes.

**STEP 11** DO NOT use any power tools as this may damage the bed frame and will invalidate any claim.

C		8
P		1



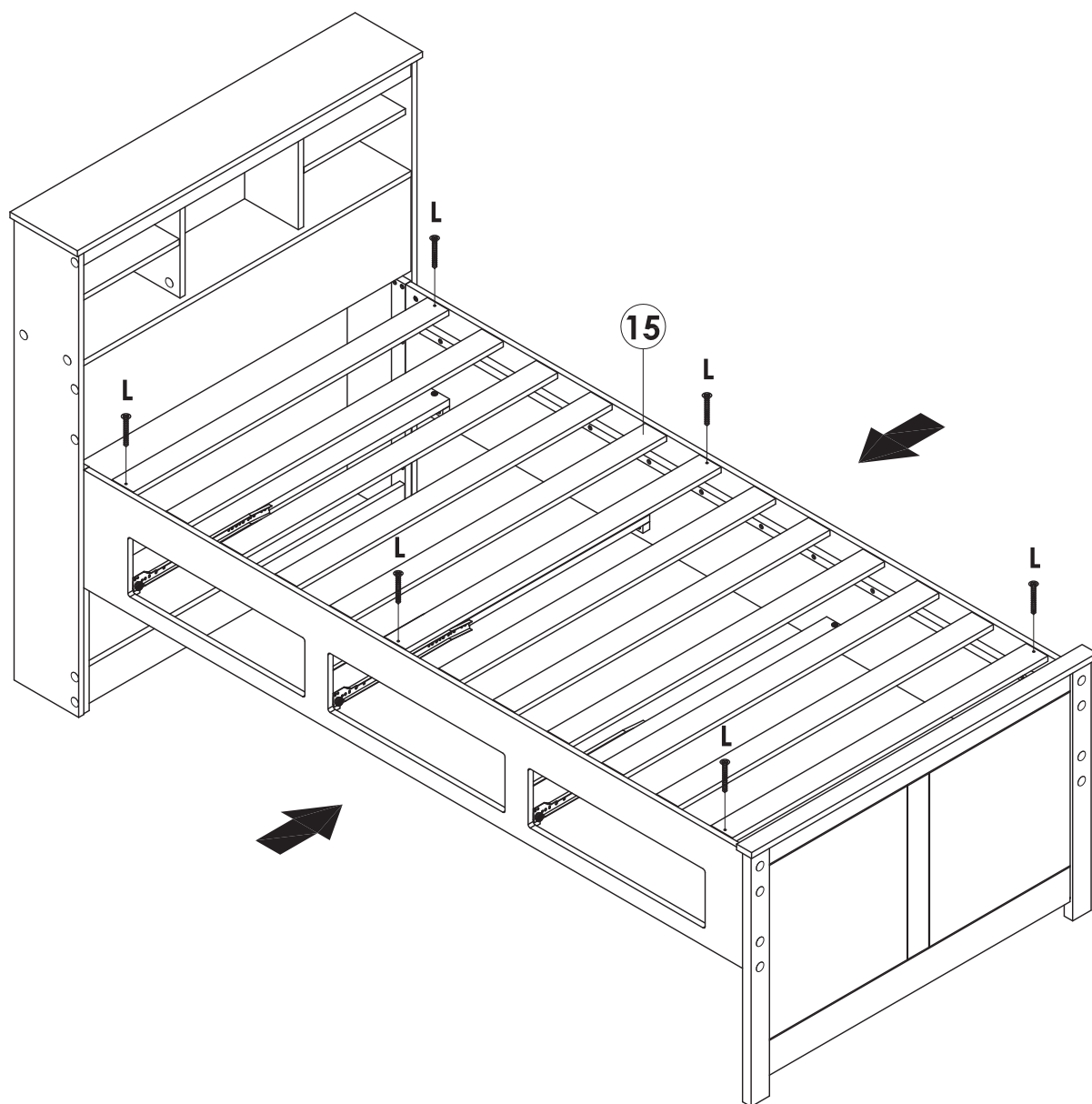
Attach and Secure **Drawer Support Side (L/R)** and **Drawer Support (center)** onto **Side Rail (Left)** and **Side Rail (Right)** by using (C), tighten it up by using (P).

**STEP 12** DO NOT use any power tools as this may damage the bed frame and will invalidate any claim.

L



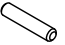

6



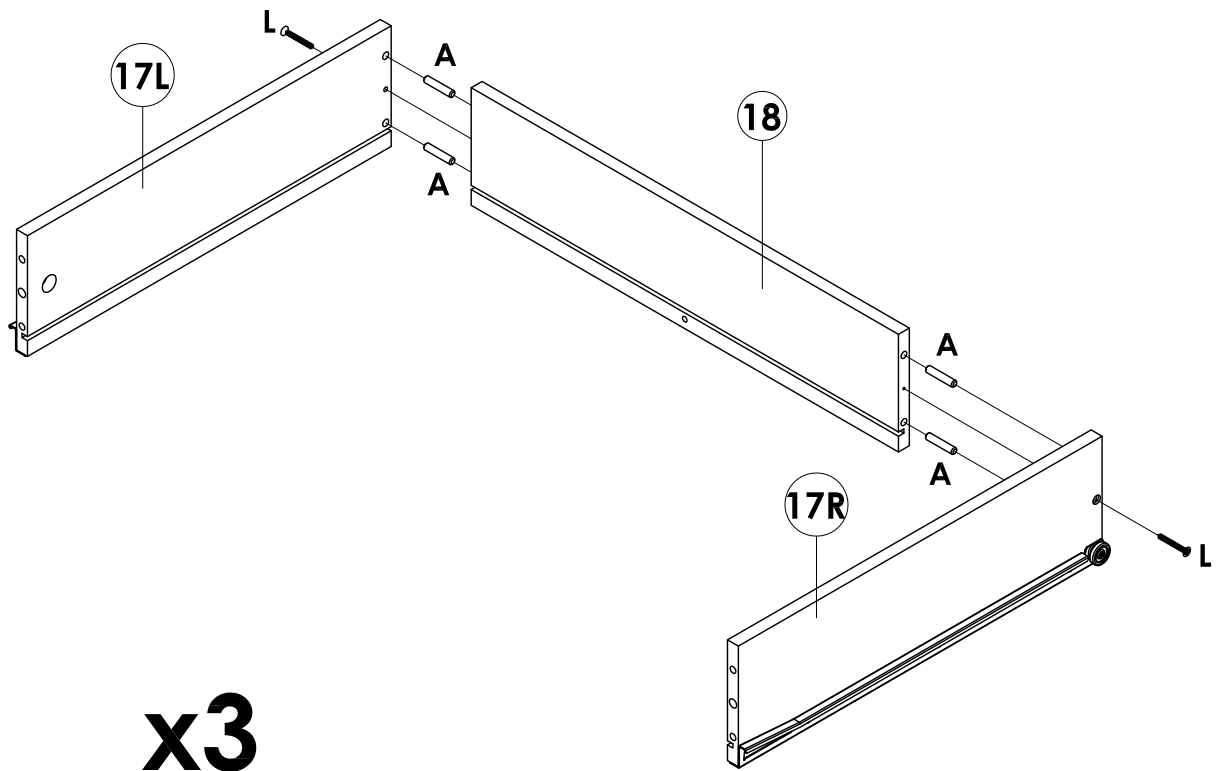
Attach and secure **Wooden Slat** onto bed **Slat Support** by using (L), tighten it up by using a Crosshead Screw Driver.

\*Align both **Side Rail (Left)** and **Side Rail (Right)** before tightening the screws.

**STEP 13** DO NOT use any power tools as this may damage the bed frame and will invalidate any claim.

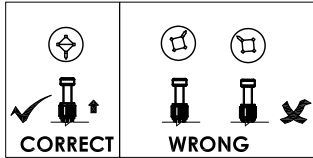
A		12
L		6

### Assembling Drawers





Attach and Secure **Drawer Side (L/R)** onto **Drawer Rear**, by using **(A)** and **(L)**, tighten it up by using crosshead screw driver.

## STEP 14

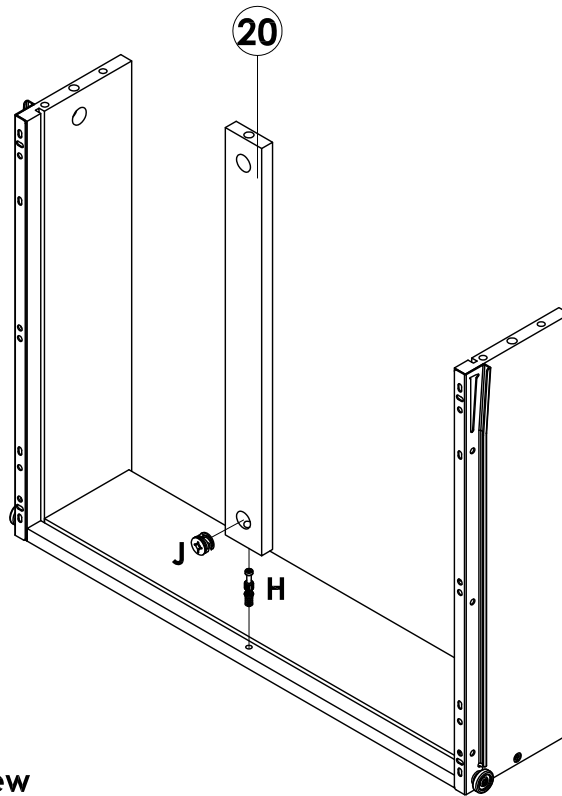


### WHEN FITTING CAMS

ENSURE STARTING POSITION IS CORRECT  
BEFORE YOU INSERT CONNECTING BOLT  
TURN CLOCKWISE UNTIL SECURE.

H		3
J		3

DO NOT use any power tools as this may damage the bed frame and will invalidate any claim.



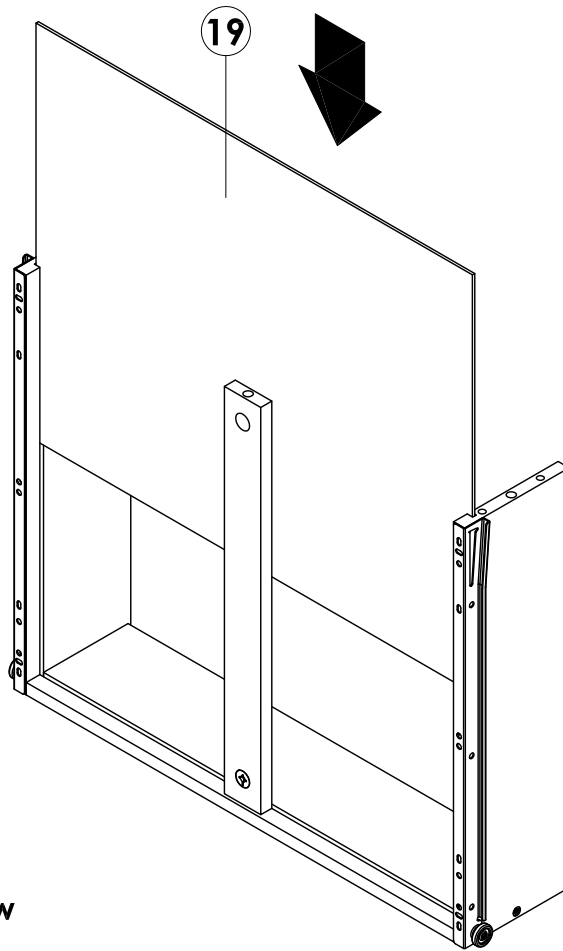
Bottom View

**x3**

Attach and Secure **Drawer Support (Base)** onto **Drawer Rear**, by using **(H)** and **(J)**, tighten it up by using crosshead screw driver.



STEP 15



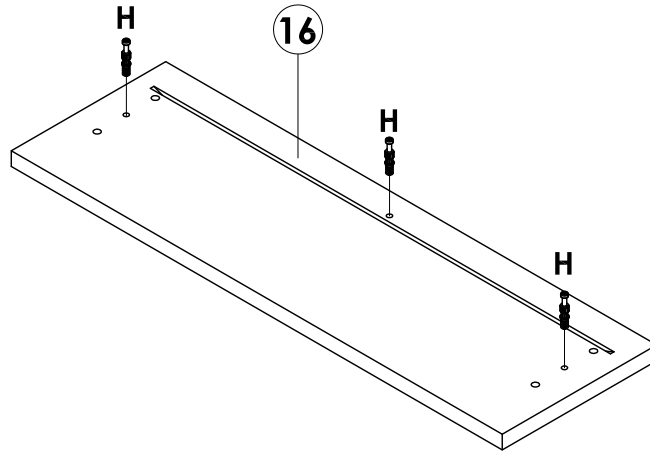
Bottom View

**x3**

Slot **Drawer Base** into **Drawer Side (L/R)**.

**STEP 16** DO NOT use any power tools as this may damage the bed frame and will invalidate any claim.

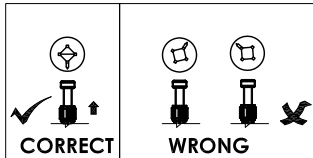
H		9
---	---	---



Insert (H) into Ø5MM holes on **Drawer Face** by using crosshead screw driver.

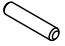

**x3**

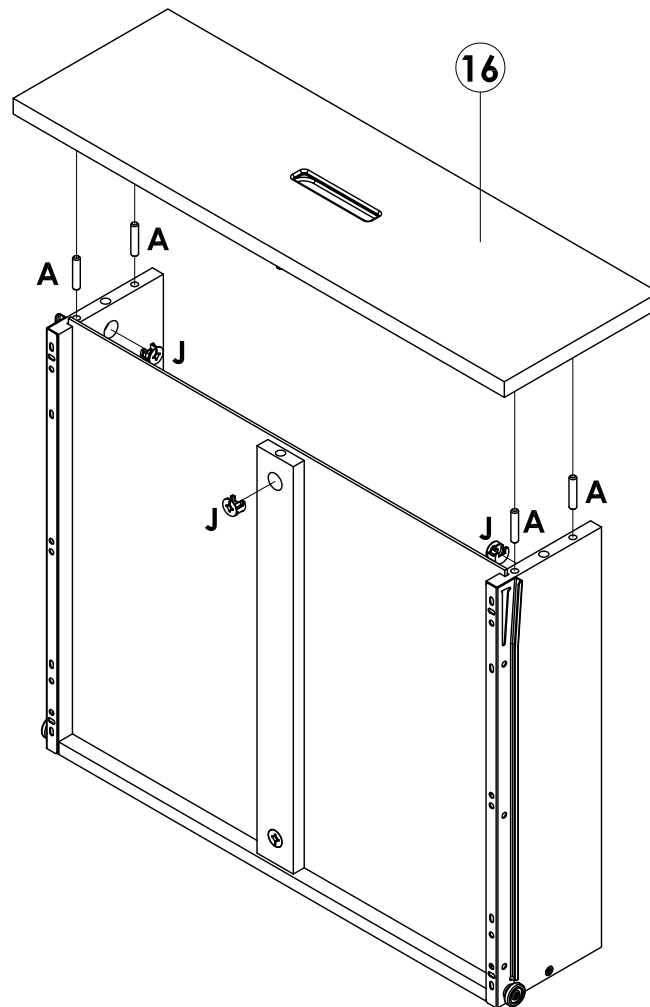
**STEP 17**



**WHEN FITTING CAMS**

ENSURE STARTING POSITION IS CORRECT BEFORE YOU INSERT CONNECTING BOLT TURN CLOCKWISE UNTIL SECURE.

A		12
J		9

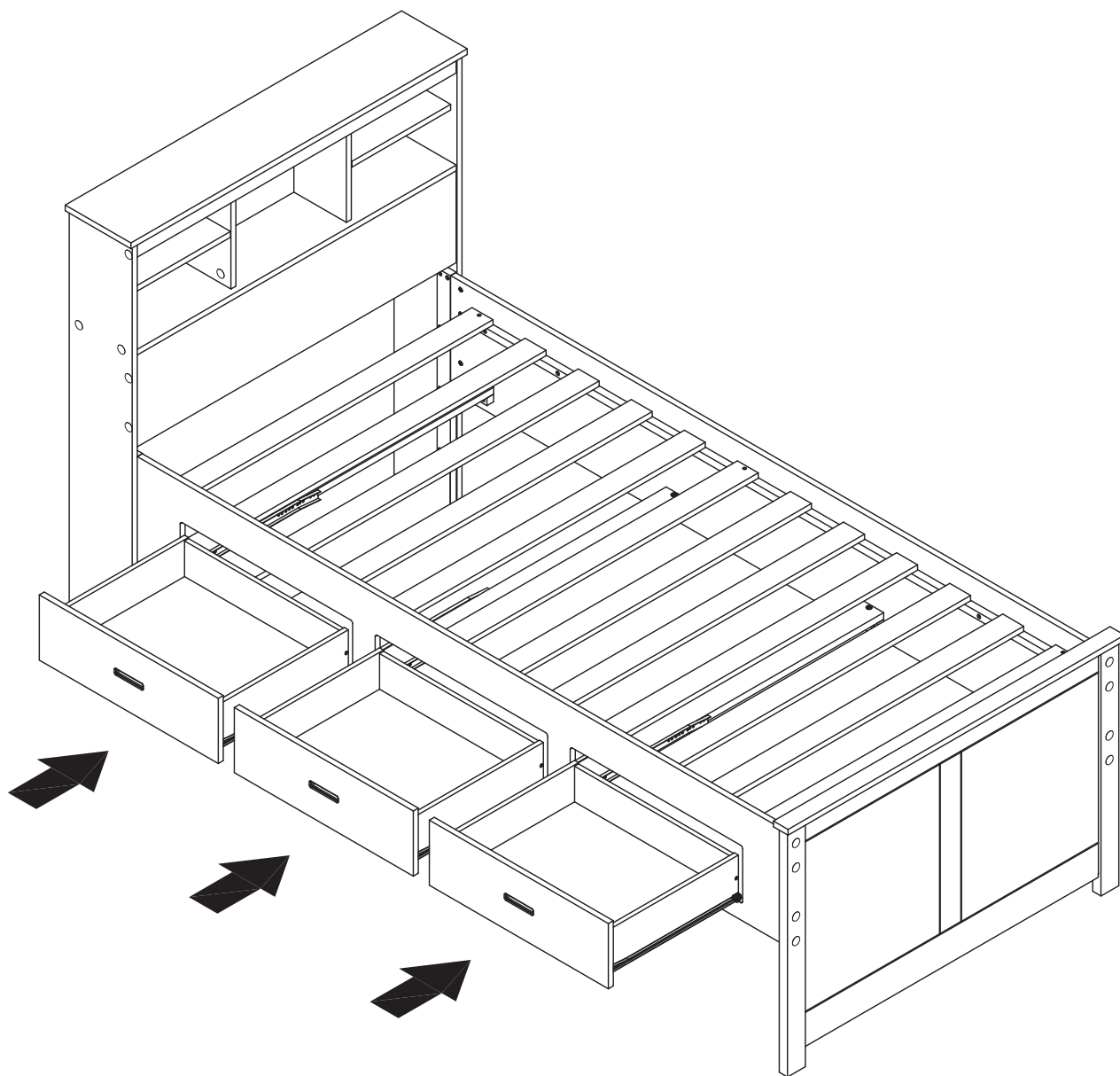


Bottom View

**x3**

Attach and Secure **Drawer Face** onto **Drawer Side (L/R)**, by using (A) and (J). tighten it up by using crosshead screw driver.

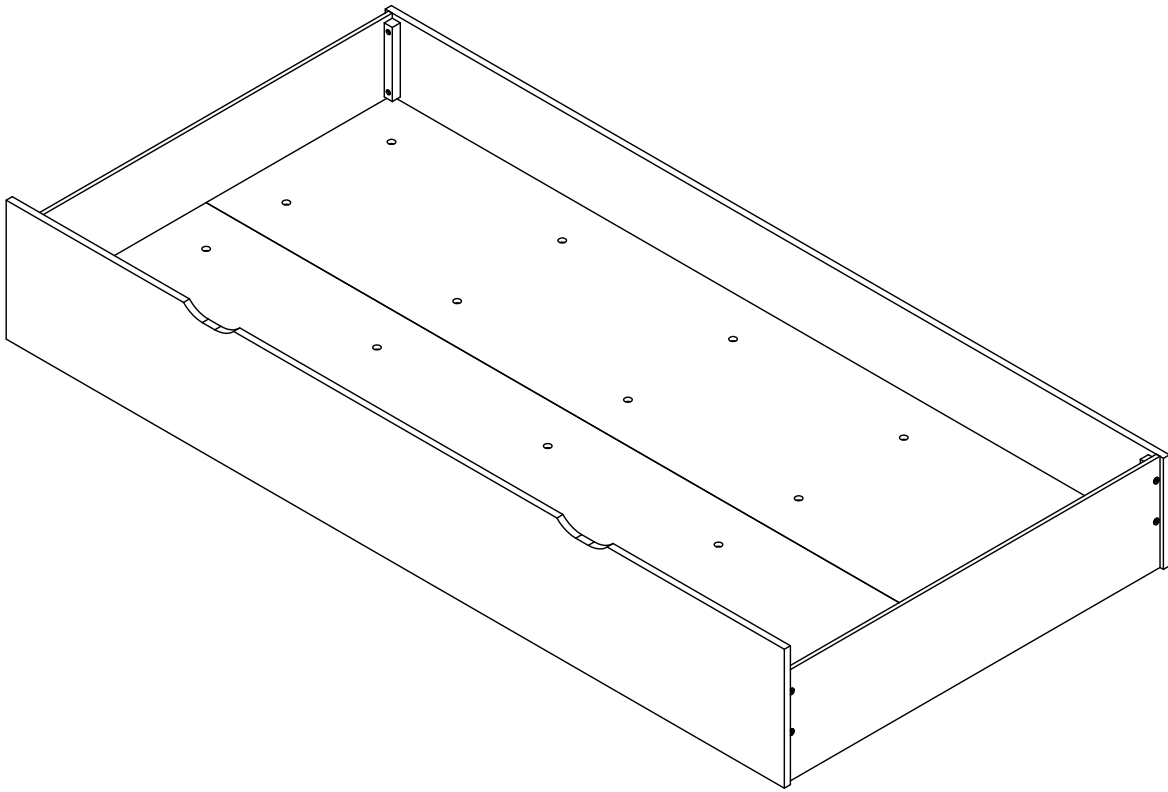
**STEP 18**



Insert **Drawer** into **Bed Frame**.

# Veera Trundle

## Assembly Instructions



# SAFETY ADVICE

Please take the time to carefully read through the whole of these instructions before you commence.

Keep these instructions for future reference.

Unpack, inspect and check of all of the contents.

Please dispose of all packing safely.

Small components parts could choke a child is swallowed.

We strongly recommend that you keep children well away from the work area.

It would be sensible to lay a sheet or blanket on the floor where you intend to work to avoid Scratching this product and protect your floor.

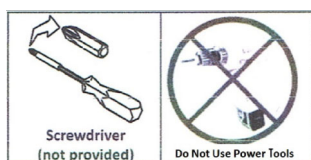
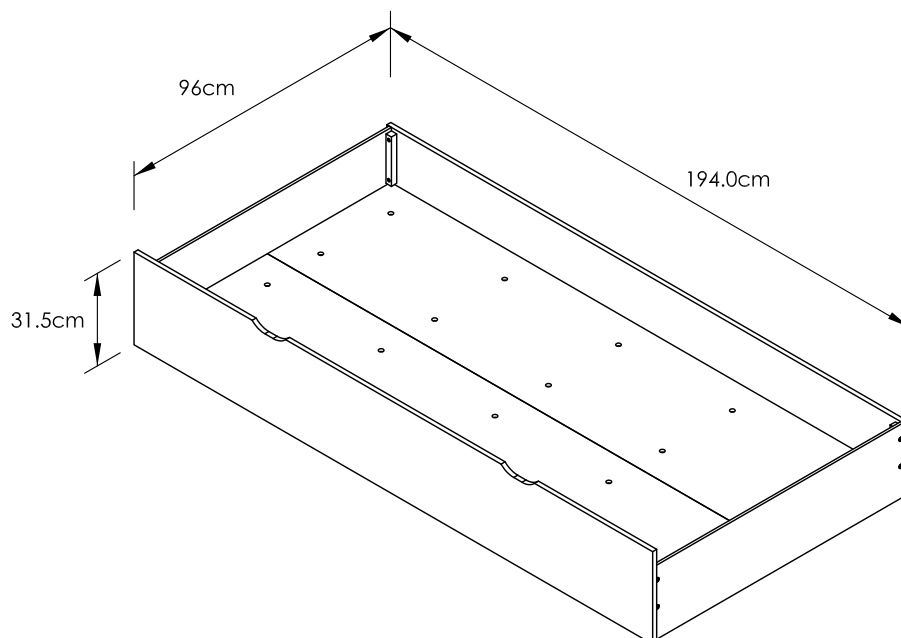
This product is heavy. Take extreme care when lifting to avoid personal injury or damage to the product.

This bed is heavy. Always lift this bed with two people.

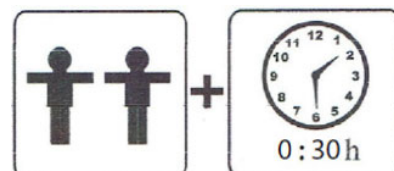
Assemble the product as close to its intended final position in the room as possible.

Keep any sharp object away from the bed frame.

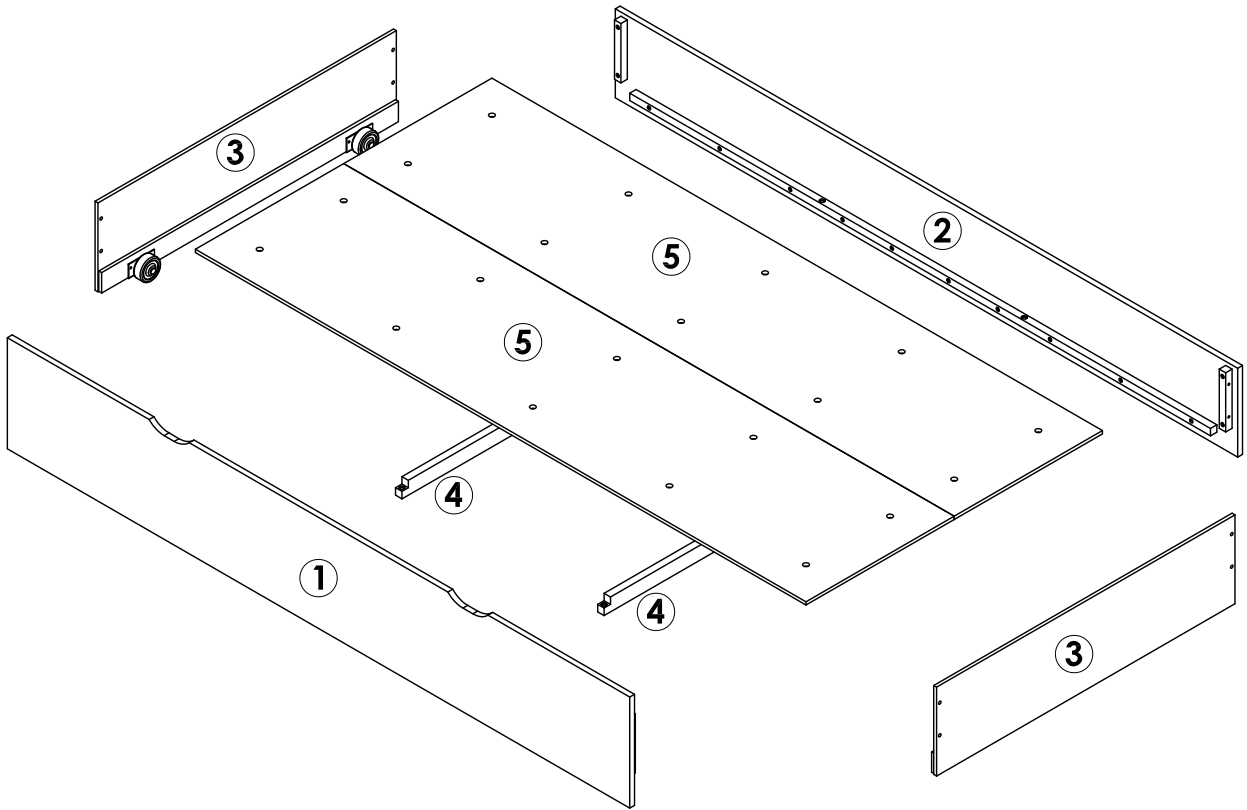
**HANDY HINT:** If you keep the hardware in a bowl during assembly you will be less likely to lose them.



All Dimensions are approximates.

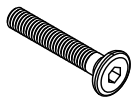


# Parts



# Hardware

**A**



JCBC BOLT (M6 x 35MM)

**4 PCS**

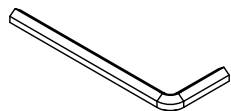
**B**



JCBC W SCREW (M7 x 25MM)

**8 PCS**



**C**

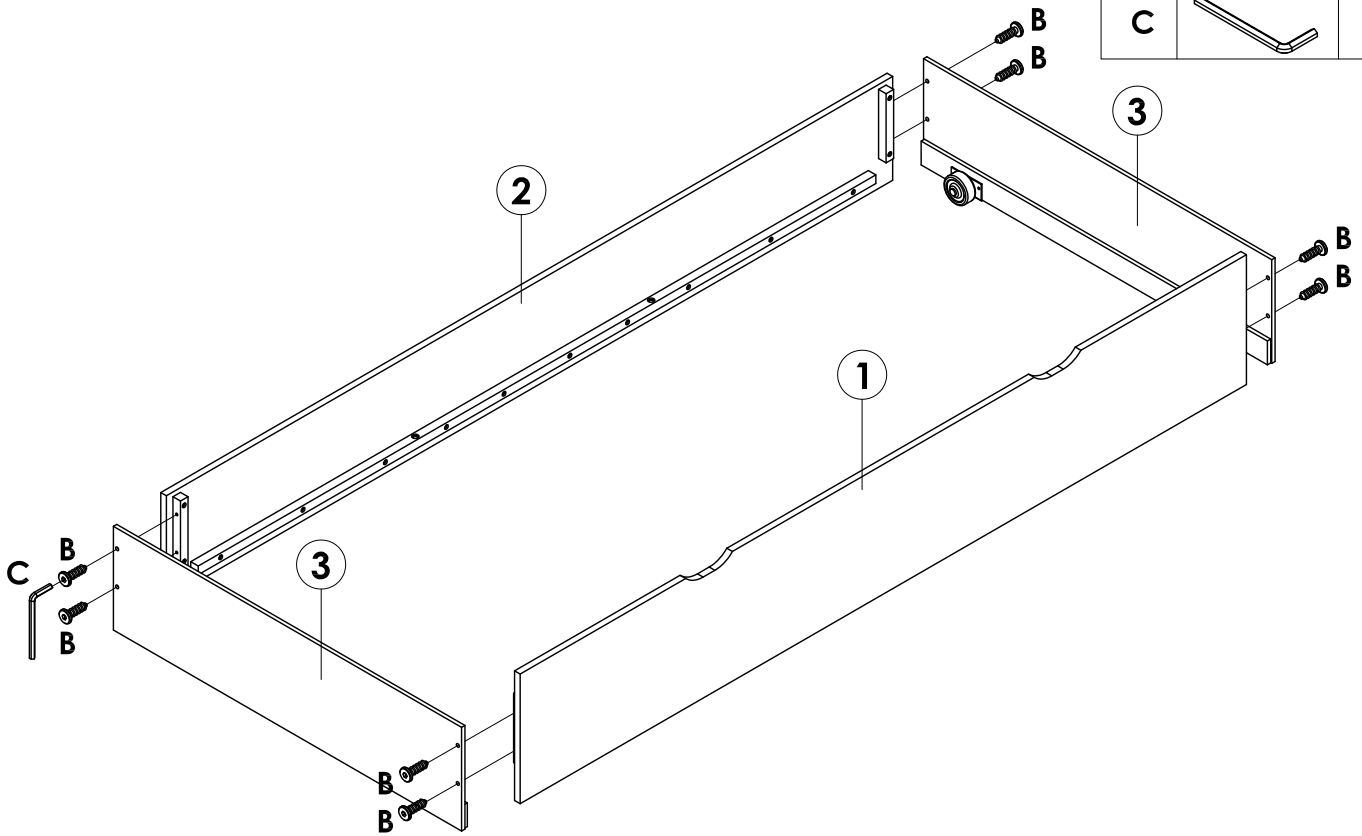


ALLEN KEY (M4 x 60MM)

**1 PC**



**STEP 1** DO NOT use any power tools as this may damage the bed frame and will invalidate any claim.

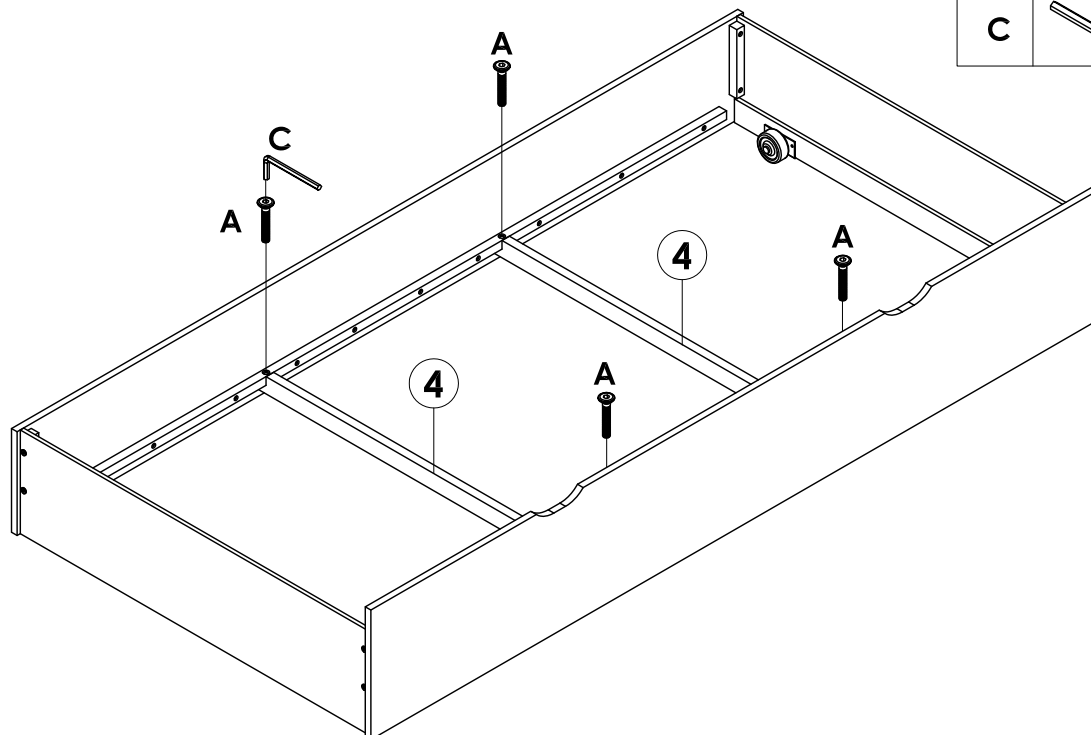
B		8
C		1



Attach and Secure **Front Panel** and **Rear Panel** onto **Side Panel** by using (B), tighten it up by using (C).

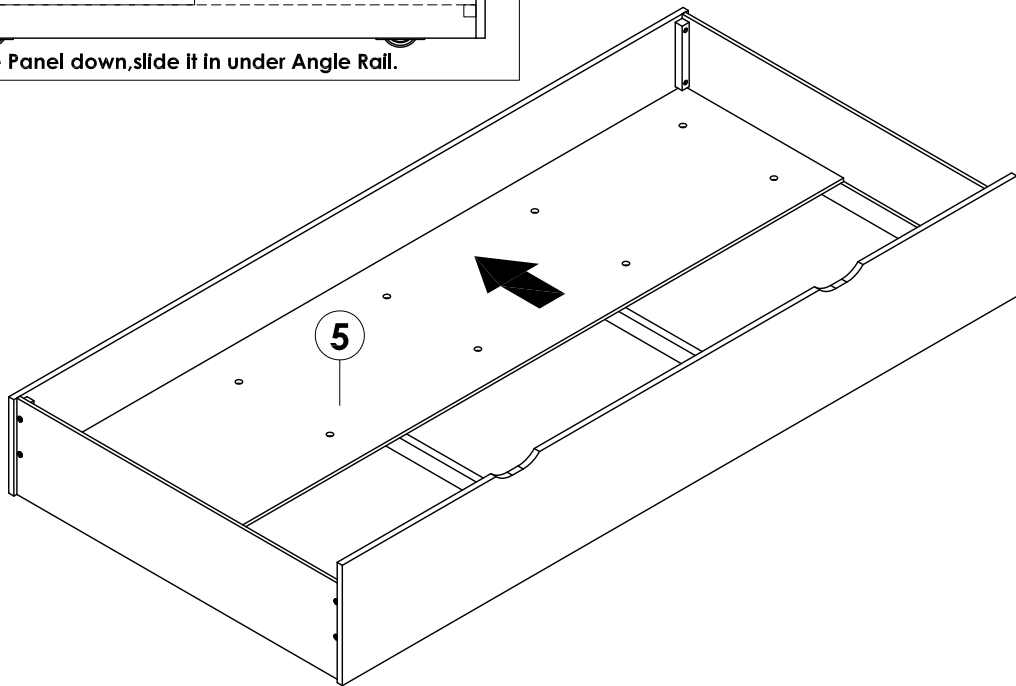
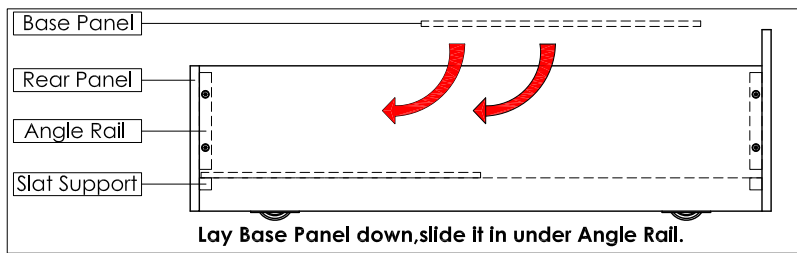
**STEP 2** DO NOT use any power tools as this may damage the bed frame and will invalidate any claim.

A		4
C		1



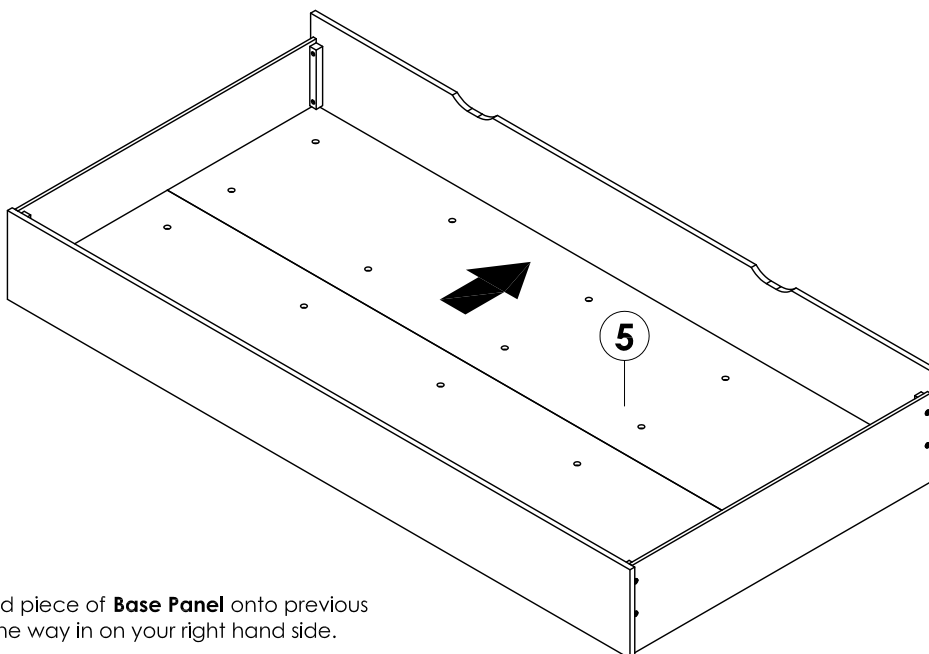
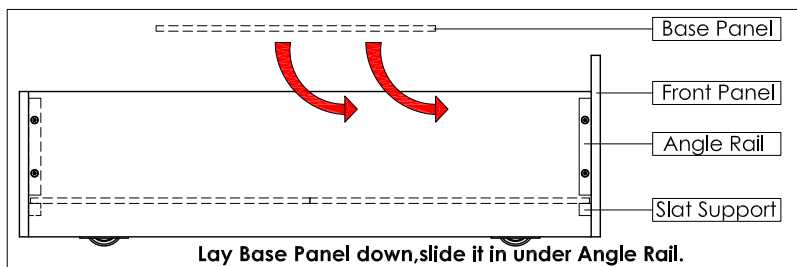
Place both **Base Support** accurately beneath both Ø8MM holes. Insert (A) into all Ø14MM holes on **Front Panel** and **Rear Panel**, tighten it up by using (C).

**STEP 3** DO NOT use any power tools as this may damage the bed frame and will invalidate any claim.



Lay down the first piece of **Base Panel** onto previous assembly,slide it all the way in on your left hand side.

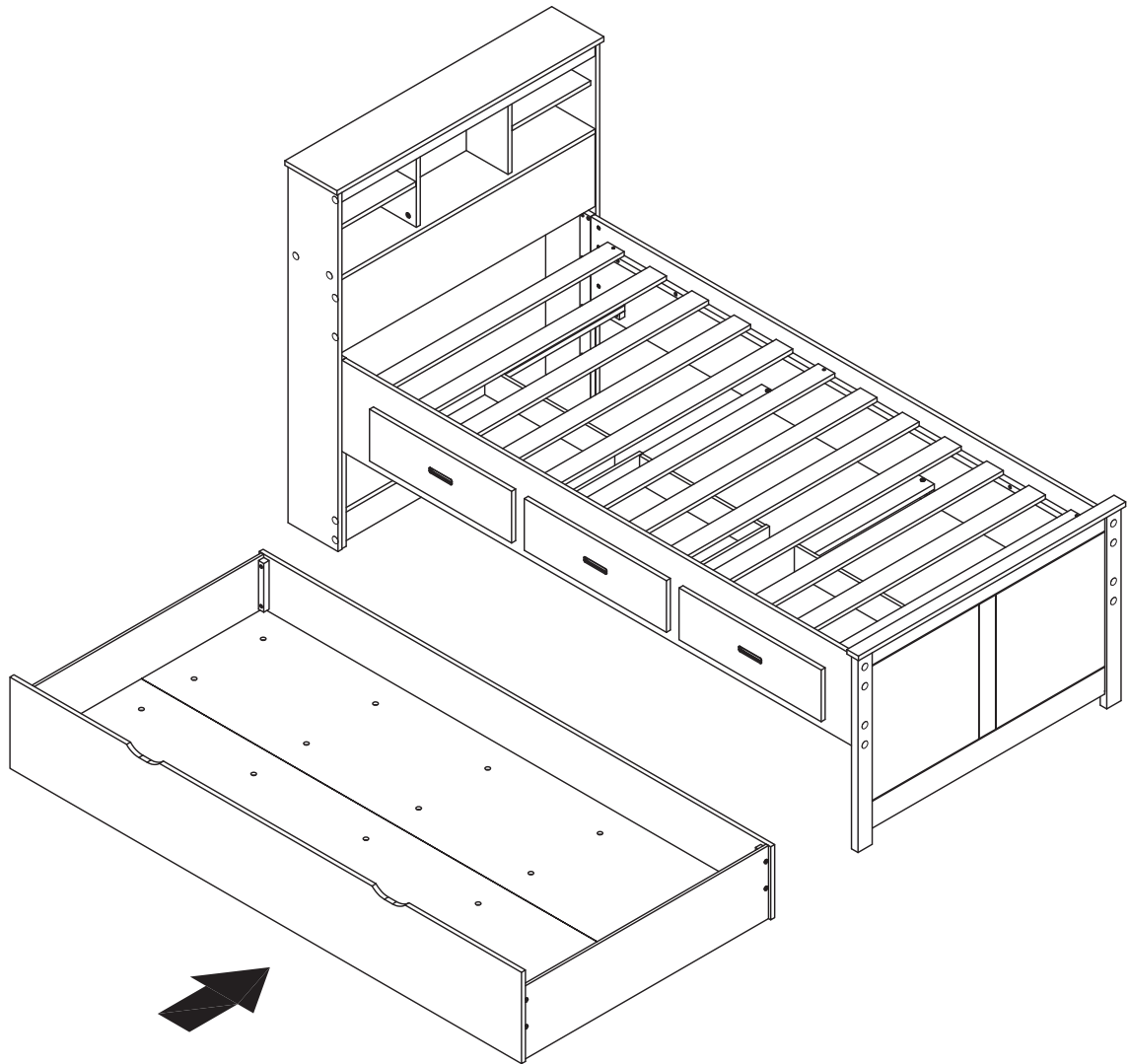
**STEP 4**



Lay down the Second piece of **Base Panel** onto previous assembly,slide it all the way in on your right hand side.

Your **Veera Trundle** is now ready to use.





Your **Veera Trundle** is now complete ready to use.