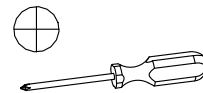
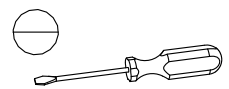
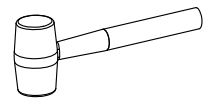
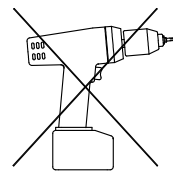
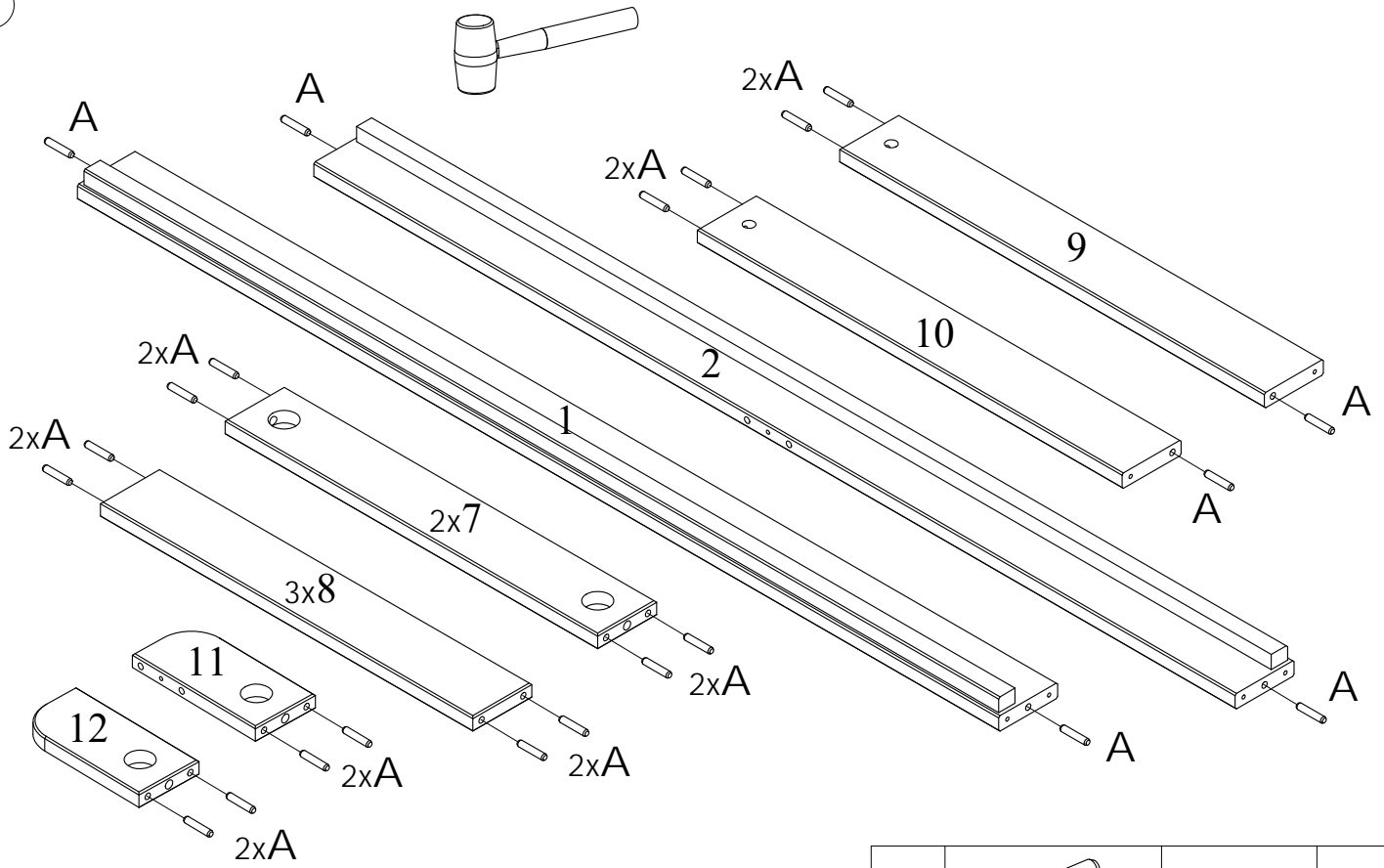
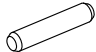


A		8x40	x34
B		7x60	x6
C		D35	x6
D		6,3x50	x10
E		7x34	x2
F		15x12	x2
G		3,5x40	x22
H		64x30x6	x2
J		D20	x2
K		D15x18	x10
L		D35	x2
M		4mm	x1

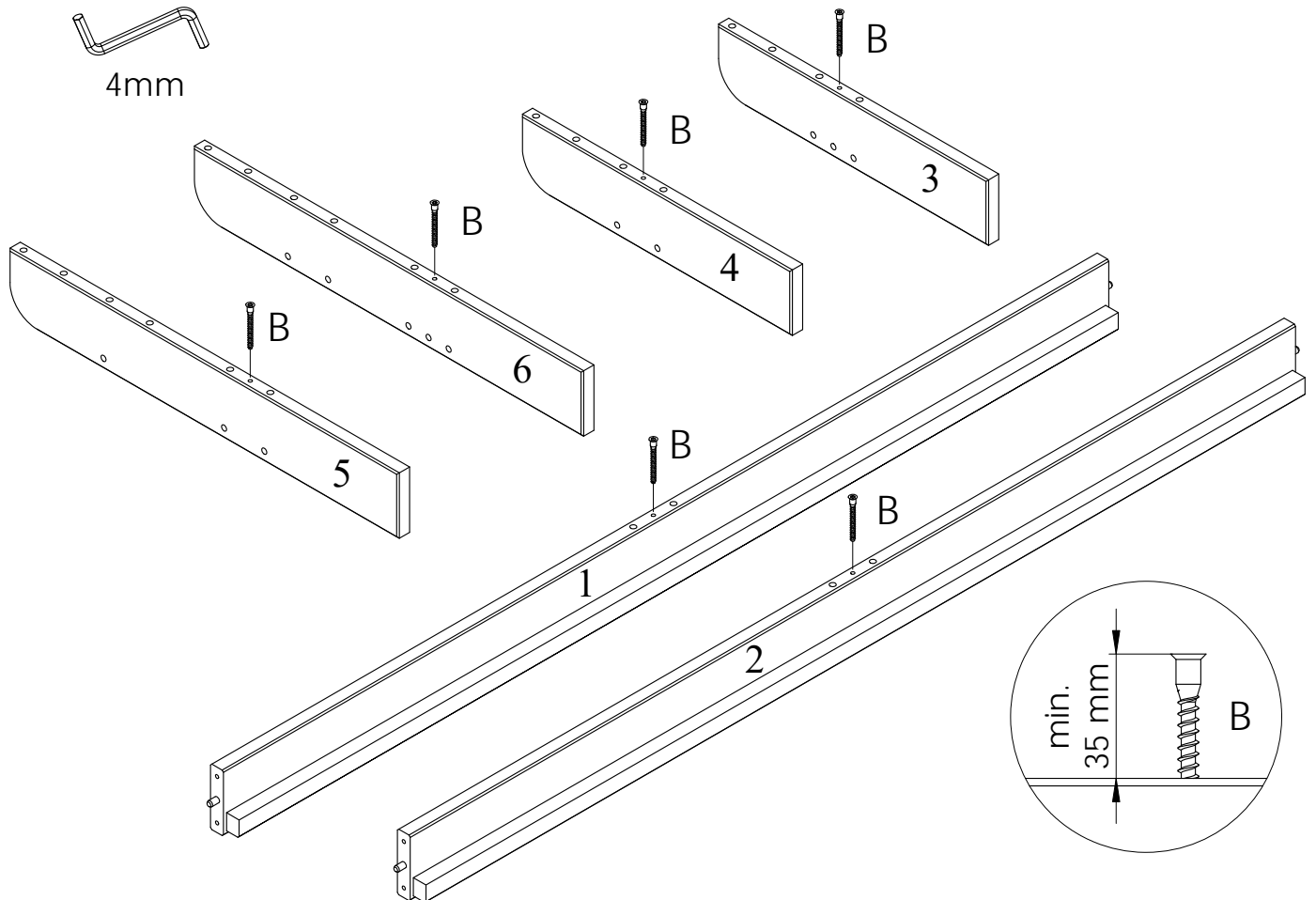


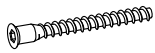
①



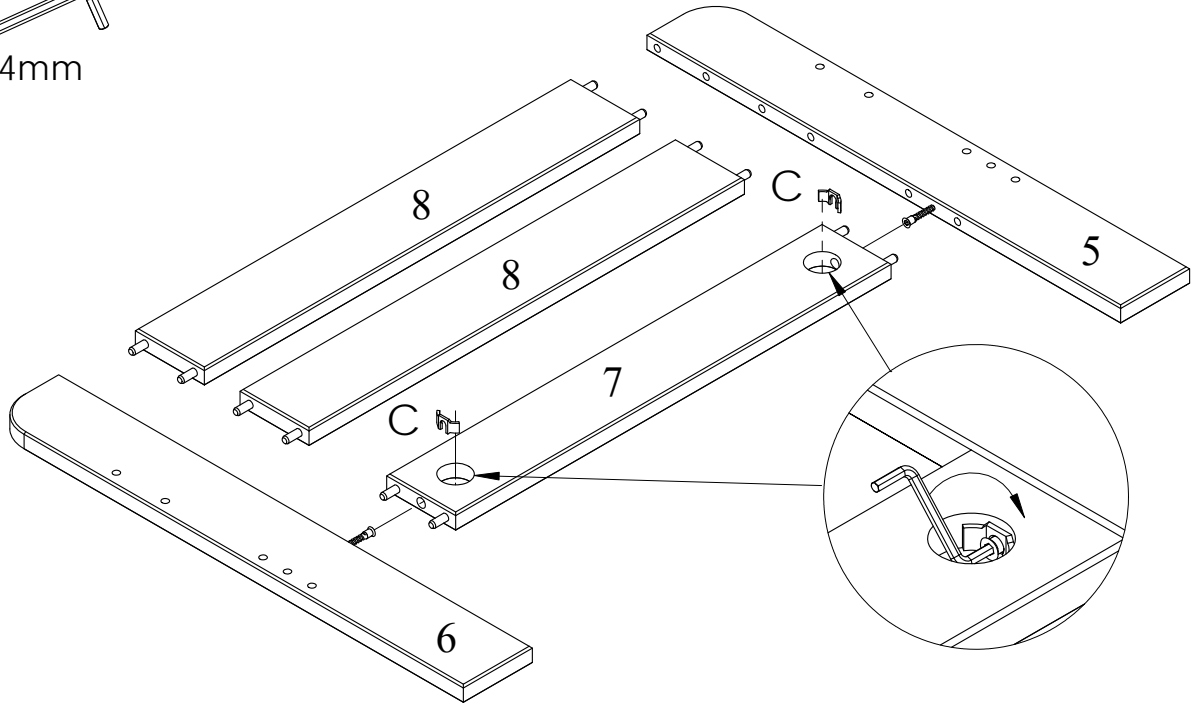
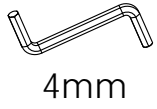
A		8x40	x34
---	---------------------------------------------------------------------------------------	------	-----

②



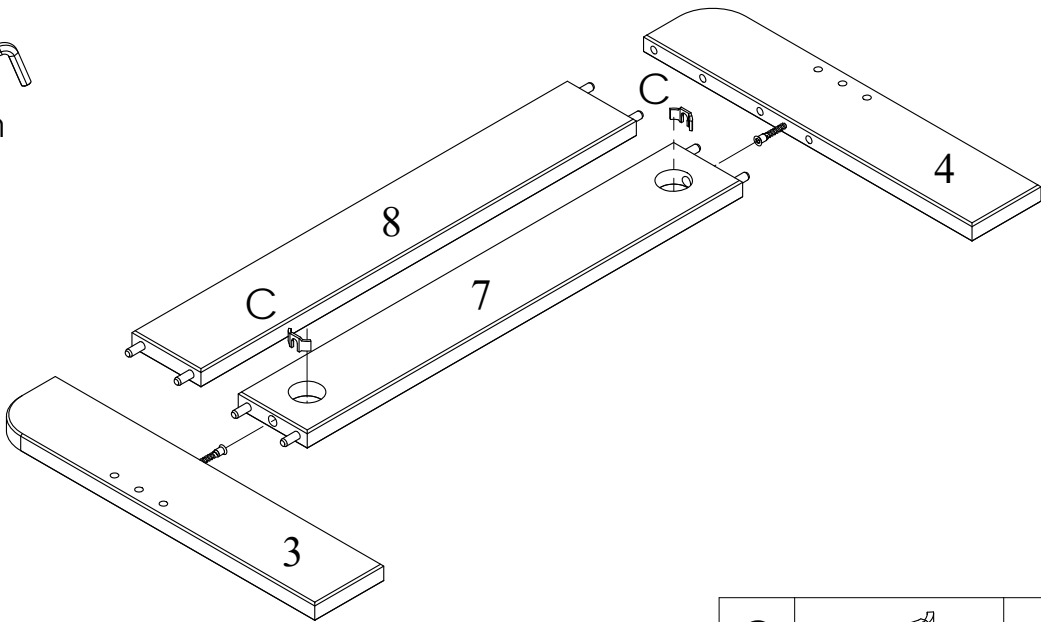
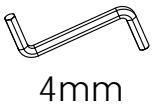
B		7x60	x6
---	---------------------------------------------------------------------------------------	------	----

3



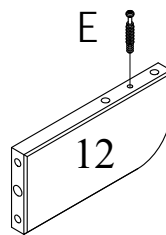
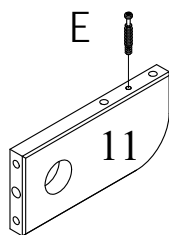
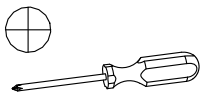
C		D35	x2
---	--	-----	----

4



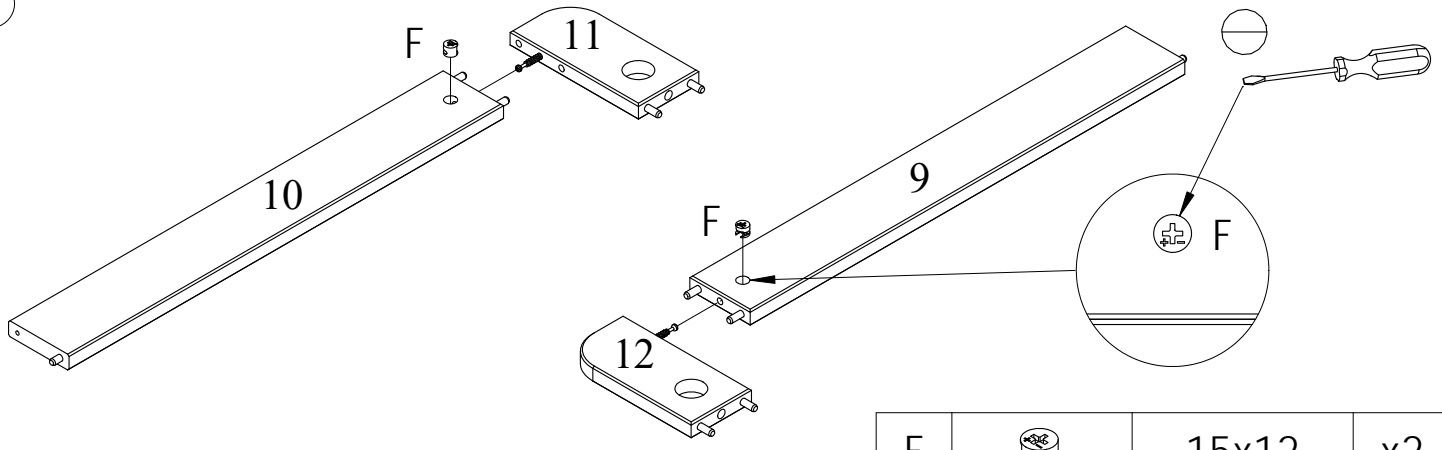
C		D35	x2
---	--	-----	----


5



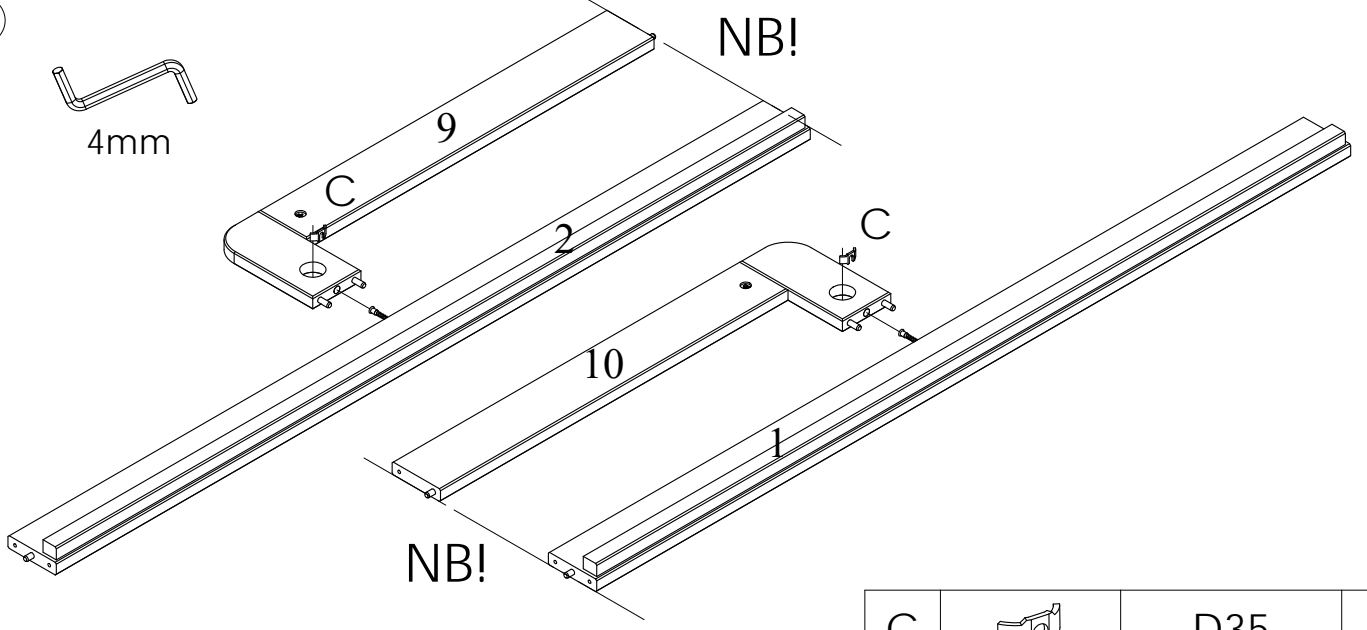
E		7x34	x2
---	--	------	----

6



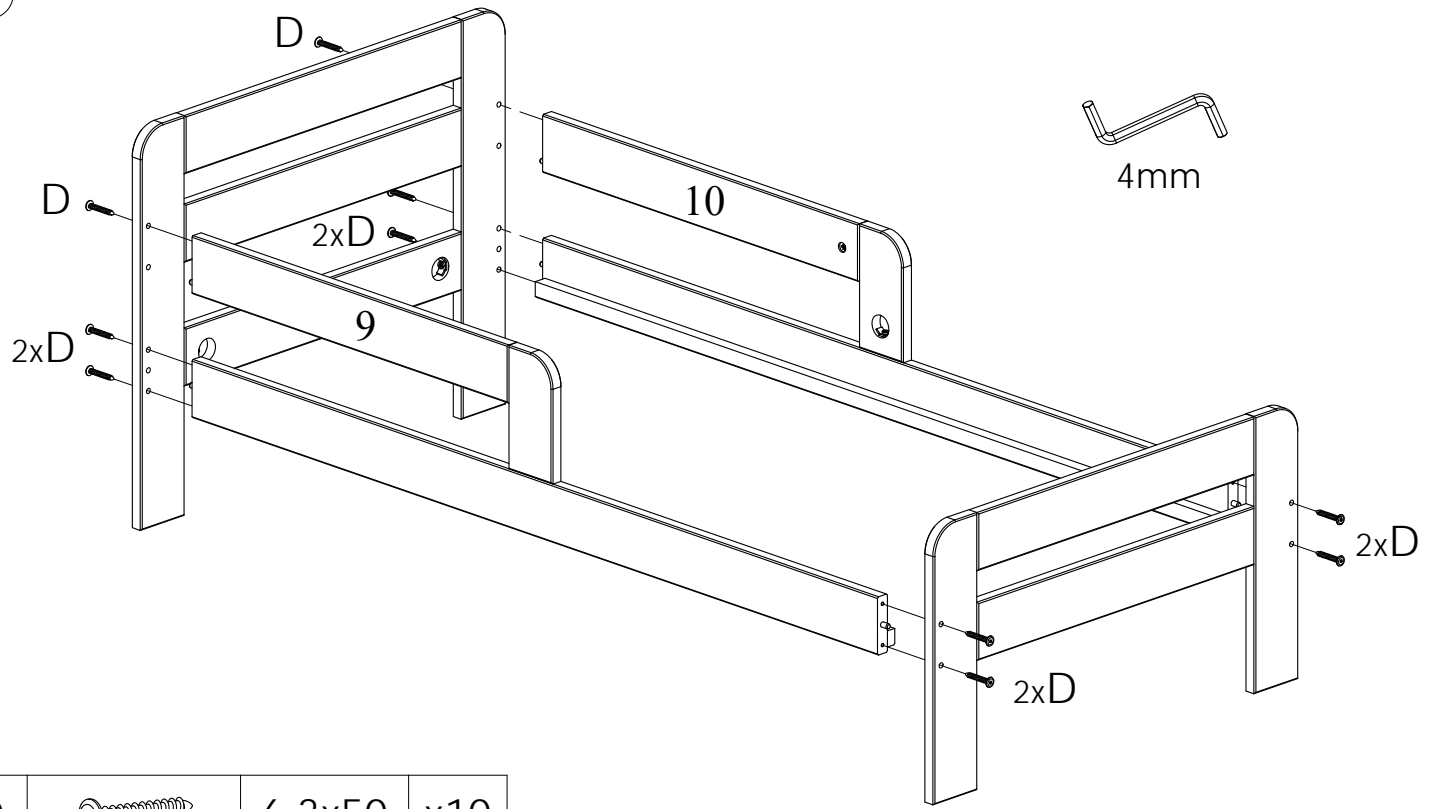
F		15x12	x2
---	-------------------------------------------------------------------------------------	-------	----


7



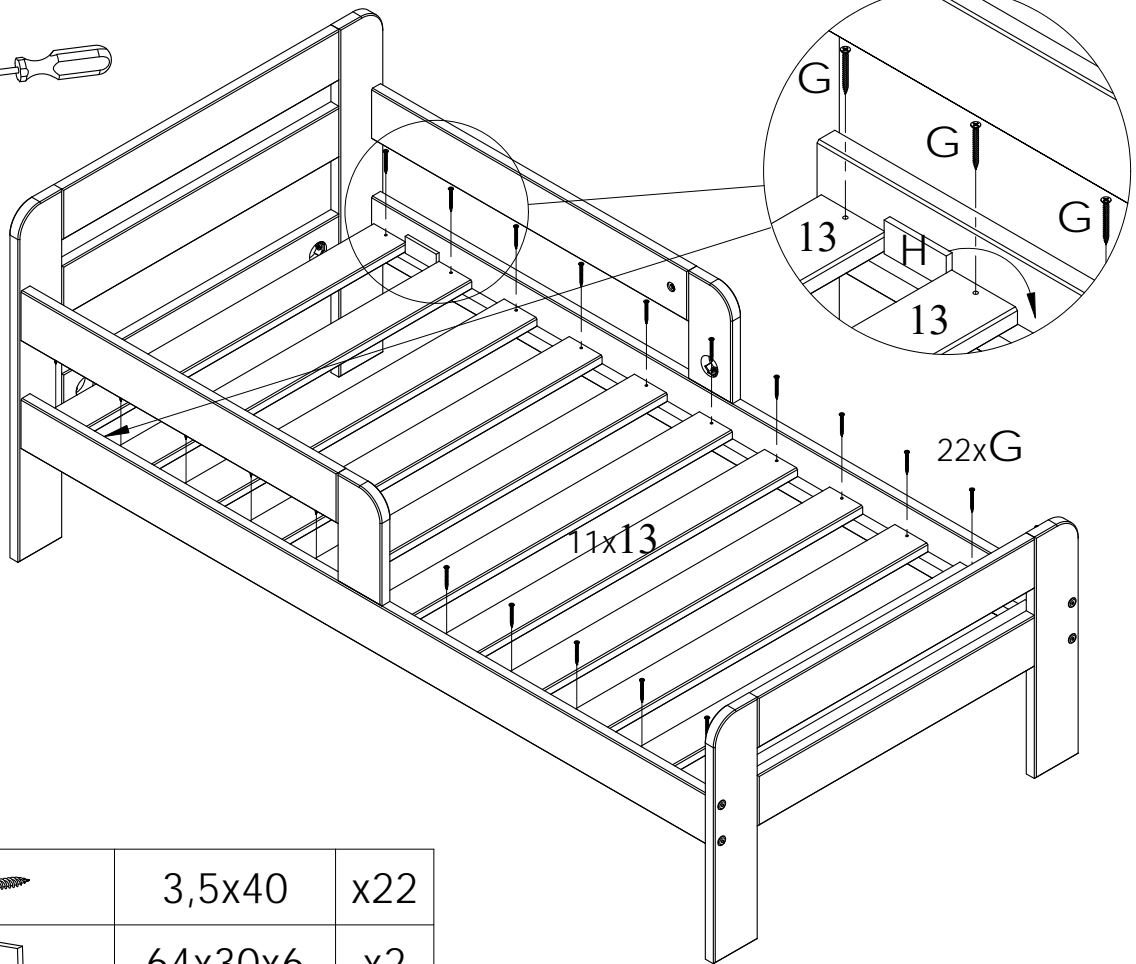
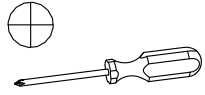
C		D35	x2
---	---------------------------------------------------------------------------------------	-----	----



8



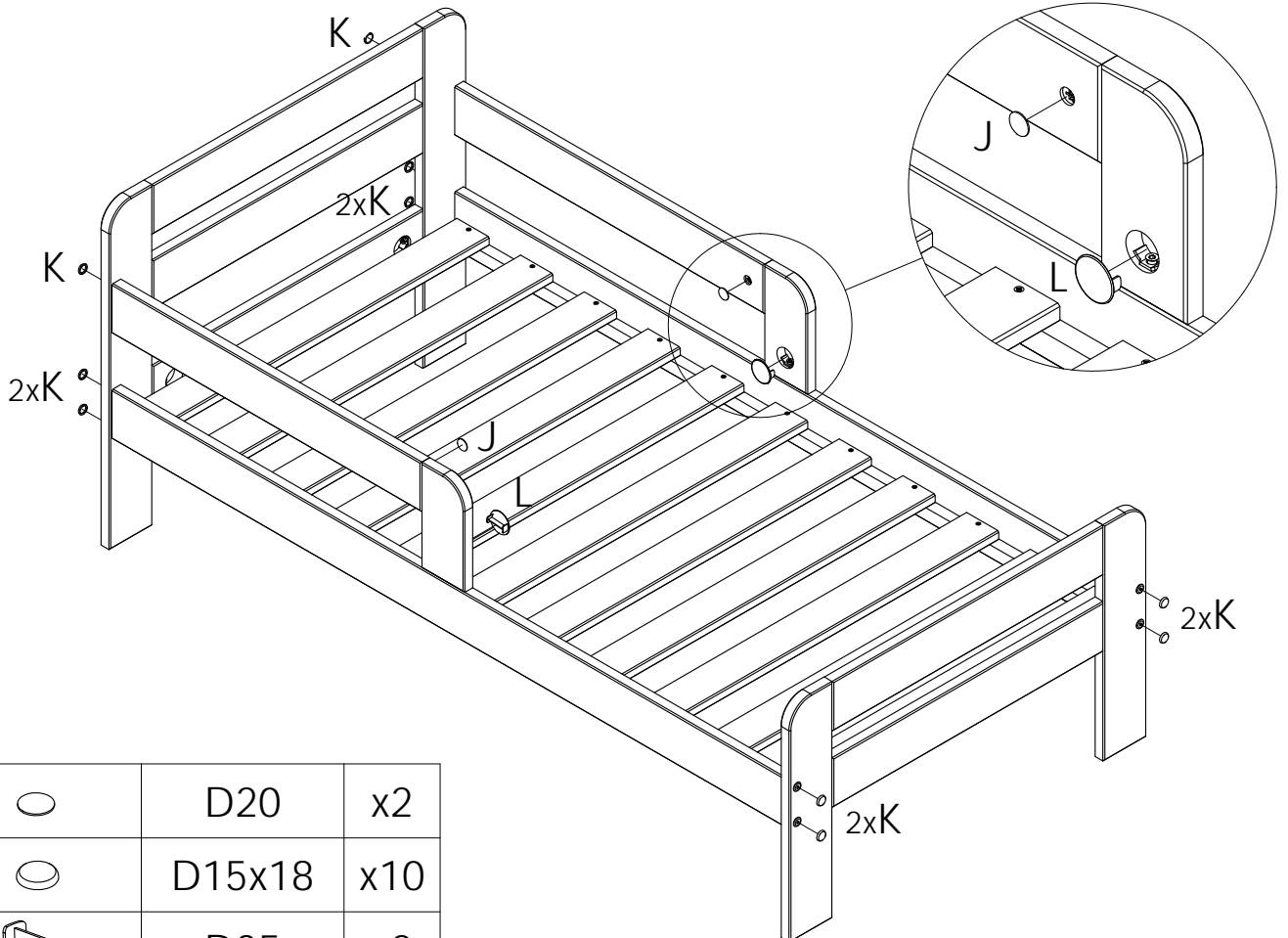
D		6,3x50	x10
---	-------------------------------------------------------------------------------------	--------	-----



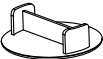
9



G		3,5x40	x22
H		64x30x6	x2

10



J		D20	x2
K		D15x18	x10
L		D35	x2