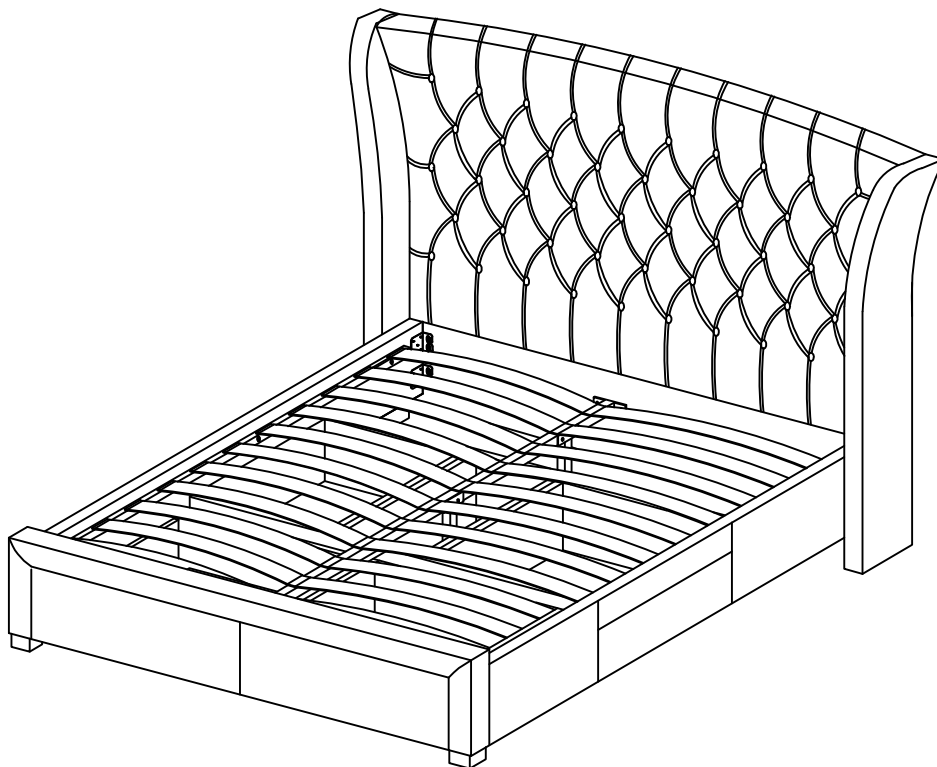


Newton Storage Bed with 4 Drawers

5FT

Assembly Instruction



Important Information

Please take the time to carefully read through the whole of these instructions before you commence.

Keep these instructions for future reference.

Unpack, inspect and check of all of the contents.

Please dispose of all packing safely.

Small components parts could choke a child if swallowed.

We strongly recommend that you keep children well away from the work area.

It would be sensible to lay a sheet or blanket on the floor where you intend to work to avoid

Scratching this product and protect your floor.

This product is heavy. Take extreme care when lifting to avoid personal injury or damage to the product.

This bed is heavy. Always lift this bed with two people.

Assemble the product as close to its intended final position in the room as possible.

Keep any sharp objects away from the bed frame.

HANDY HINT: If you keep the hardware in a bowl during assembly you will be less likely to lose them.

HEALTH AND SAFETY

DO NOT: jump on this bed frame.

DO NOT: use this bed frame if any part is missing, damaged or worn.

DO NOT: use this bed frame unless all fixing are secured.

DO NOT: push this bed frame as this will damage the legs.

Always lift the bed frame with two people to reposition.


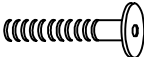


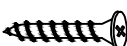


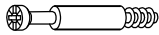







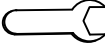
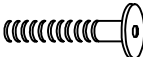

WARNING: If this bed is placed on non-carpeted floor you must place some protection under all legs to stop the bed frame from moving. If this is not adhered to there is no guarantee if the bed frames collapse.

CAUTION



DO NOT: over load the drawer internal storage.

TWO PERSON ASSEMBLY

HARDWARE LIST

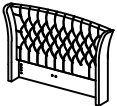
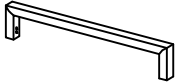

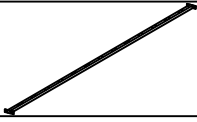

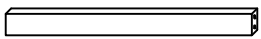
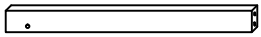
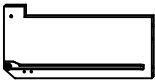
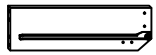

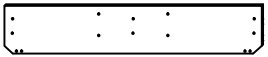
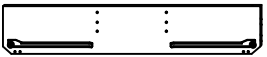
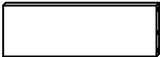
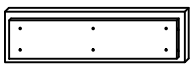
Parts	Description		Box	Qty
1	WOOD DOWEL M6 x 30mm		3	27 PCS
2	JCBC BOLT M6 x 40mm		3	8 PCS
3	M6 FLAT WASHER		3	6 PCS
4	M6 SPRING WASHER		3	4 PCS
5	WOOD SCREW M4 X 38mm		3	71 PCS
6	BED SLAT SIDE FITTER		3	26 PCS
7	BED SLAT CENTER FITTER		3	13 PCS
8	MINIFIX BOLT 634-2B		3	10 PCS
9	MINIFIX HUSING ZINC 1595		3	10 PCS
10	ST 25 STEEL (SP)		3	40 PCS
11	111 BUTTON CAP (M8)(COL.BEECH)		3	10 PCS
12	M4 ALLEN KEY (BALL SHAPE)		3	1 PC
13	M5 ALLEN KEY (BALL SHAPE)		3	1 PC
14	JCBC BOLT M6 x 40mm (BLACK)		3	4 PCS
15	M6 HEX NUT (BLACK)		3	4 PCS
16	SPANNER (10mm)		3	1 PC
17	JCBC BOLT M8 x 40mm		3	8 PCS
18	JCBC BOLT M8 x 20mm		3	4 PCS

HARDWARE LIST


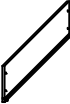



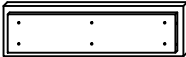

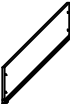

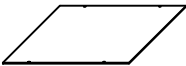


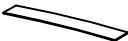
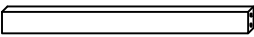
Parts	Description	Box	Qty
19	M6 FLAT WASHER (BLACK) 	3	4 PCS
20	M6 SPRING WASHER (BLACK) 	3	4 PCS

***You will need a small mallet and screwdriver (not provided)**

PART LIST

Parts	Description	Box	Qty
A	HEADBOARD 	1	1 PC
B	FOOTBOARD 	2	1 PC
C	SIDE RAIL 	3	2 PCS
D	METAL CENTER RAIL 	3	1 PC
E	CENTRE SUPPORT LEGS 	3	2 PCS
F	SIDE DRAWER FRAME SUPPORTS 	4	2 PCS
G	FRONT DRAWER FRAME SUPPORT 	4	1 PC
H	FRONT DRAWER FRAME DIVIDER 	4	1 PC
I	FRONT DRAWER SIDE PANEL (R) 	4	1 PC
J	FRONT DRAWER SIDE PANEL (L) 	4	1 PC
K	FRONT DRAWER FRAME SIDE 	4	1 PC
L	SIDE DRAWER FRAME 	4	1 PC
M	SIDE DRAWER BACK FRAME 	4	2 PCS
N	FRONT DRAWER FRONT 	2	2 PCS

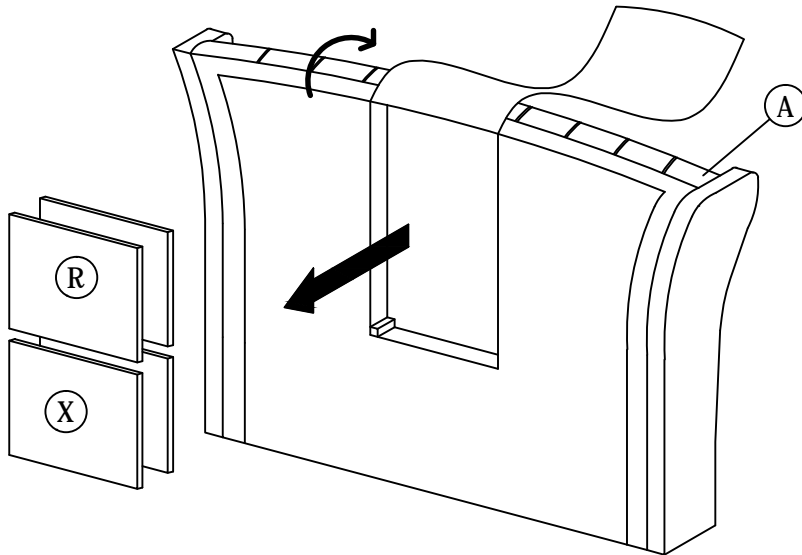
PART LIST

Parts	Description	Box	Qty
O	FRONT DRAWER BACK 	4	2 PCS
P	FRONT DRAWER SIDE (R) 	4	2 PCS
Q	FRONT DRAWER SIDE (L) 	4	2 PCS
R	FRONT DRAWER BOTTOM PANELS 	1	2 PCS
S	FRONT DRAWER BOTTOM SUPPORTS 	4	4 PCS
T	SIDE DRAWER FRONTS 	3	2 PCS
U	SIDE DRAWER BACKS 	4	2 PCS
V	SIDE DRAWER SIDE (R) 	4	2 PCS
W	SIDE DRAWER SIDE (L) 	4	2 PCS
X	SIDE DRAWER BOTTOM PANELS 	1	2 PCS
Y	SIDE DRAWER BOTTOM SUPPORTS 	4	4 PCS
Z	BED FRAME LEGS 	3	2 PCS
AA	SPRUNG SLATS 	3	26 PCS
AB	FRONT DRAWER FRAME SUPPORTS 	4	1 PC

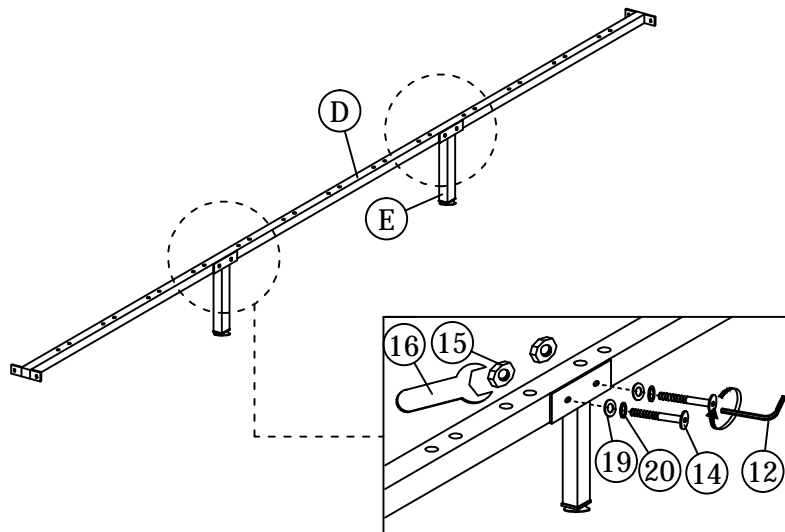
STEP 1





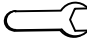
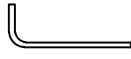
Take out DRAWER BOTTOM PANEL (R) and DRAWER BOTTOM PANEL (X) and from the HEADBOARD (A).

BACK VIEW

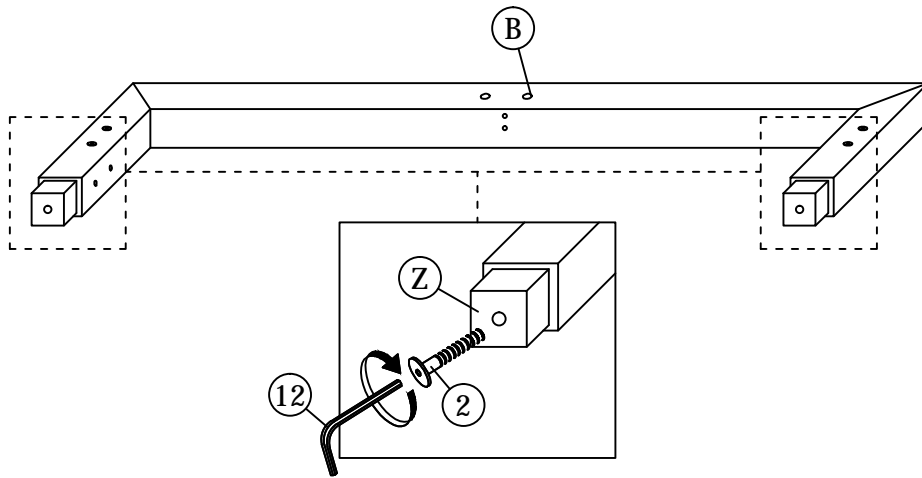



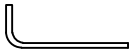
STEP 2



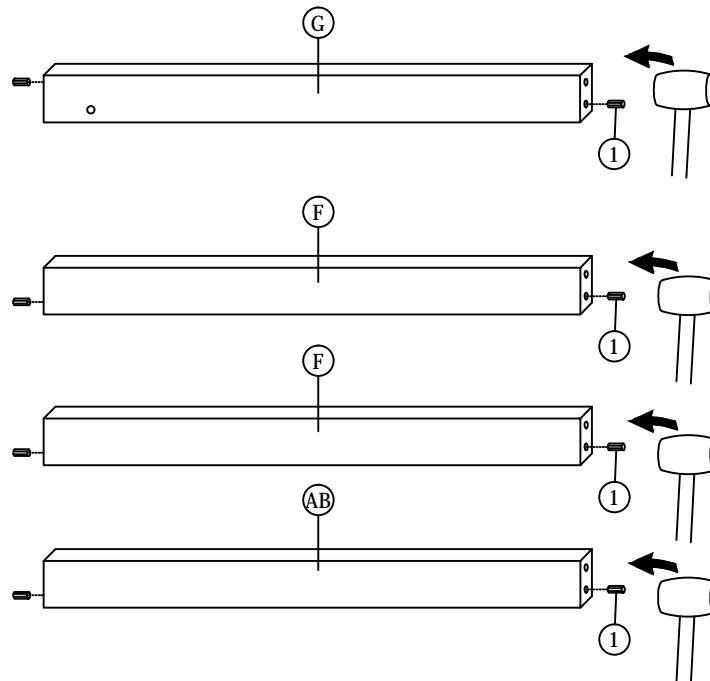
					
14 x 4 PCS	19 x 4 PCS	20 x 4 PCS	15 x 4 PCS	16 x 1 PC	12 x 1 PC


STEP 3



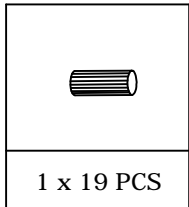
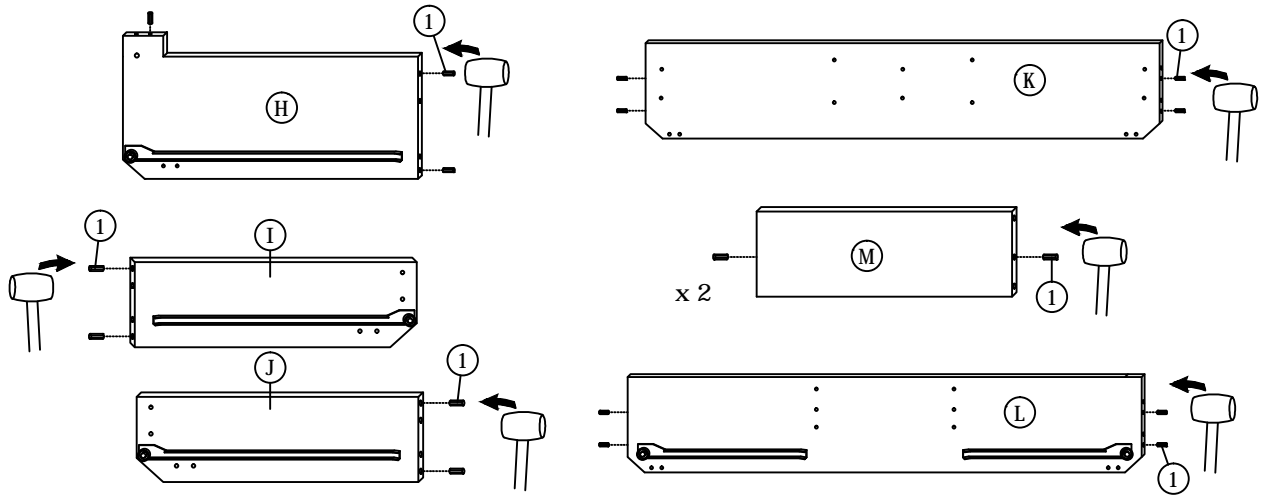
	
2 x 2 PCS	12 x 1 PC

STEP 4

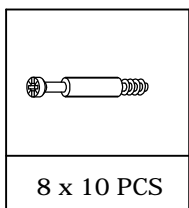
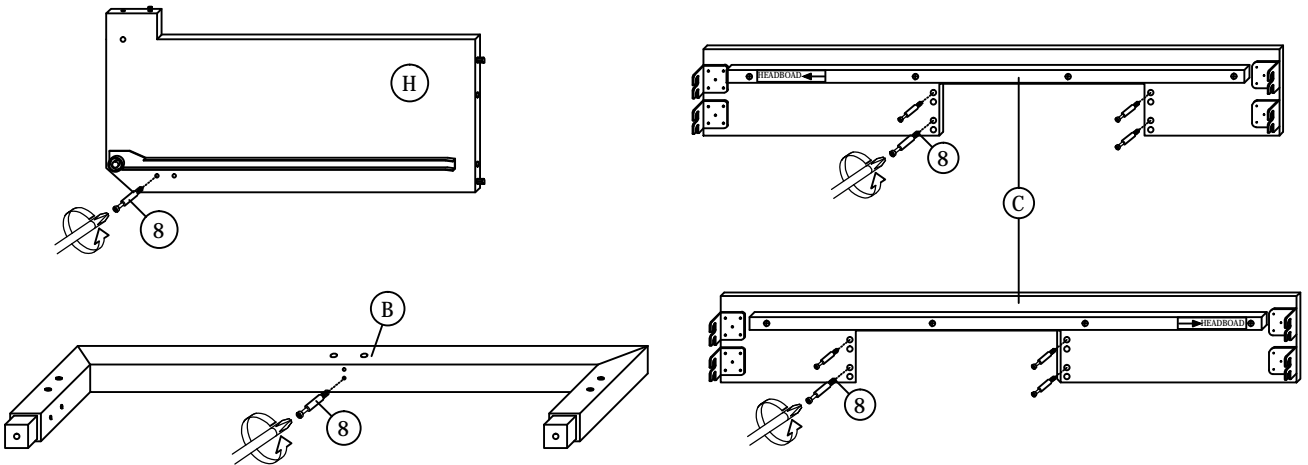



1 x 8 PCS

STEP 5



STEP 6



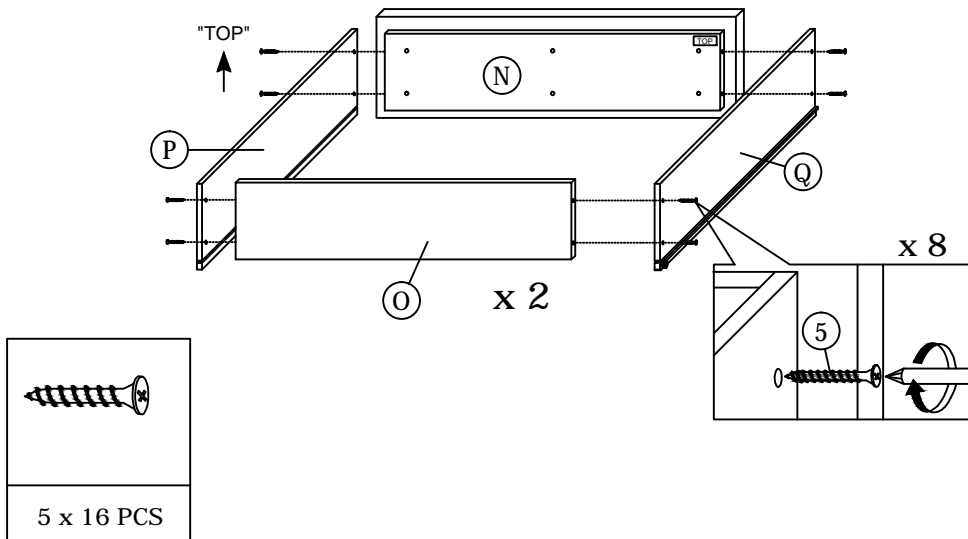
STEP 7

FRONT DRAWER

Join together the 2x Front Drawer Front (N), 2x Back Drawer Back (O) and 4x Front Drawer Side (P) & (Q) using hardware M4 x 38mm x 16 pcs (5) and screwdriver (not provided). Repeat for the remaining drawer.

"TOP" label must be skyward as picture shown.

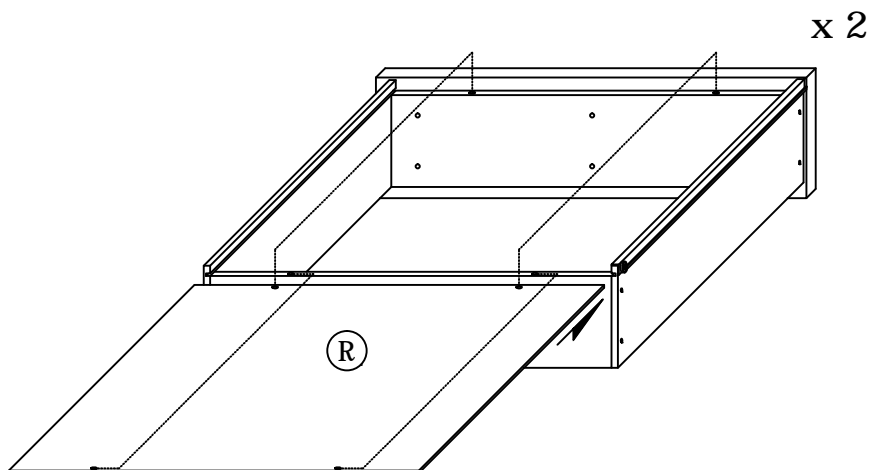
Note : Assemble according to sticker



STEP 8

FRONT DRAWER

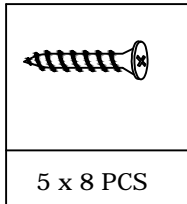
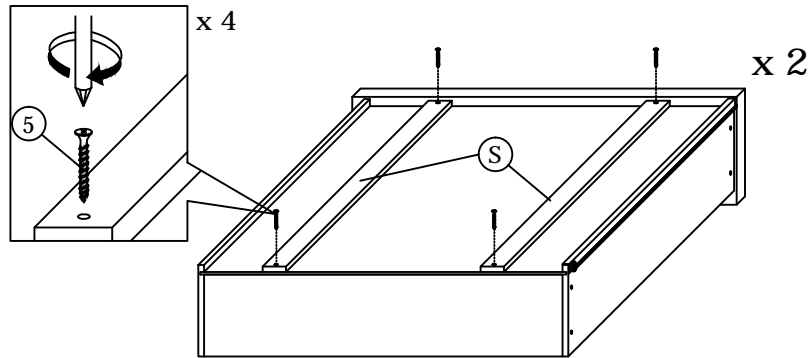
Slide the 2x Front Drawer Bottom Panels (R) into position on all two drawer.



STEP 9

FRONT DRAWER

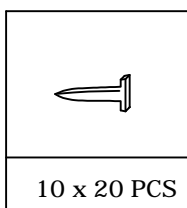
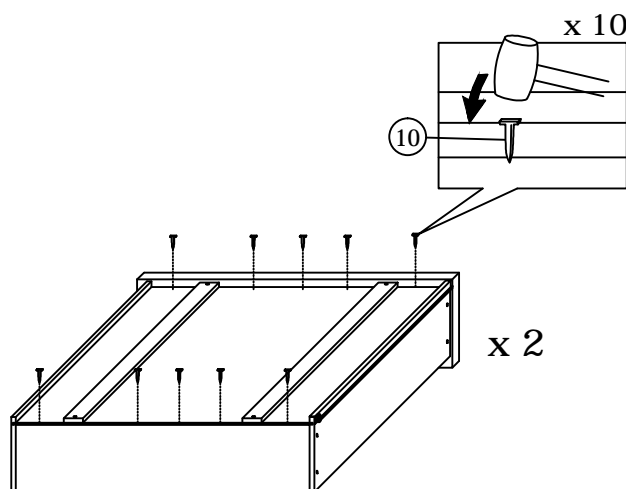
Secure the 4x Front Drawer Bottom Support (S) using hardware M4 x 38 x 8pcs (5) and screwdriver (not provided).



STEP 10

FRONT DRAWER

Secure with hardware ST 25 STEEL x 20pcs (10) and small mallet (not provide)



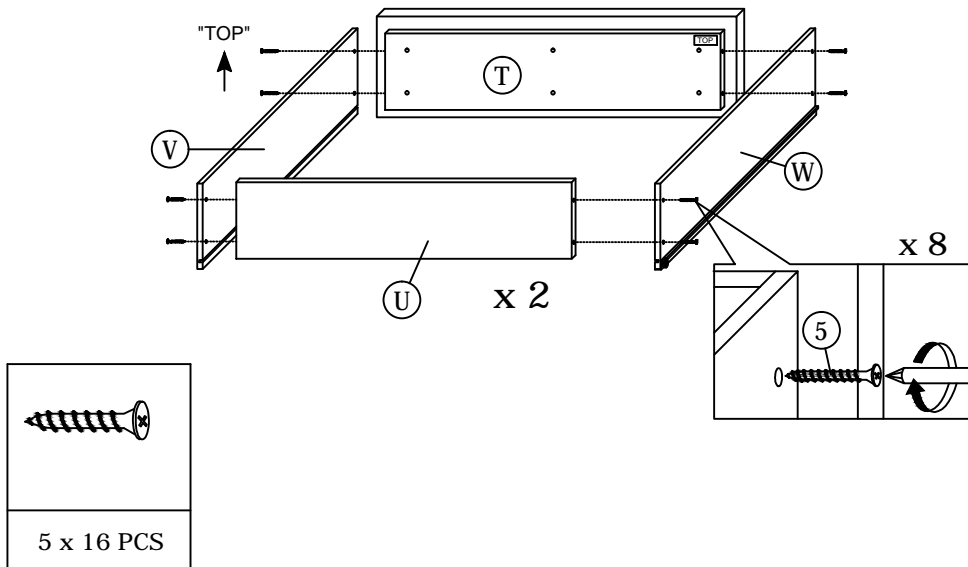
STEP 11

SIDE DRAWER

Join together the 2x Side Drawer Fronts (T), 2x Side Drawer Backs (U) and 4x Side Drawer Side (V) & (W) using hardware M4 x 38mm (5) and screwdriver (not provided). Repeat for the remaining drawer.

"TOP" label must be skyward as picture shown.

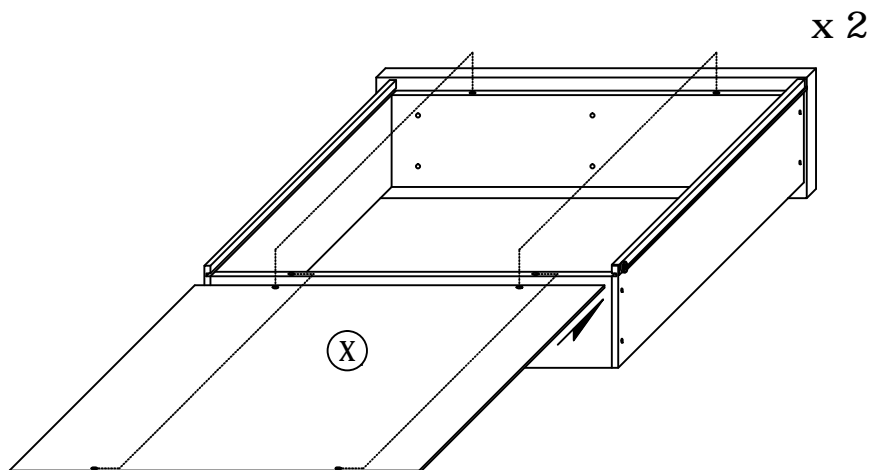
Note : Assemble according to sticker



STEP 12

SIDE DRAWER

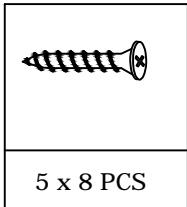
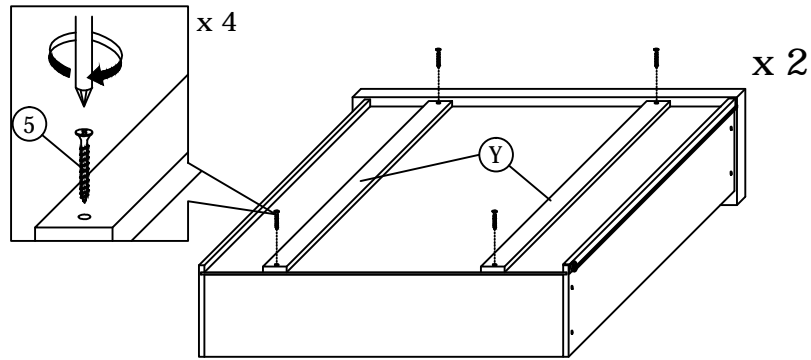
Slide the 2x Side Drawer Bottom Panels (X) into position on all two drawer.



STEP 13

SIDE DRAWER

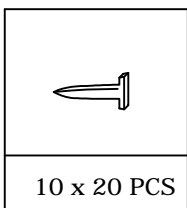
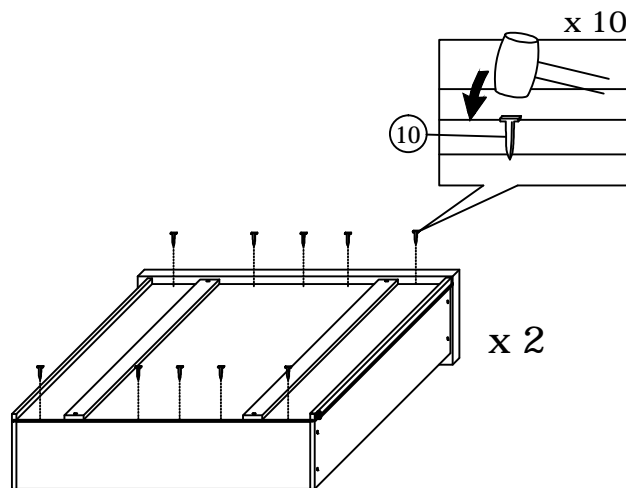
Secure the 4x Side Drawer Bottom Support (Y) using hardware M4 x 38 x 8pcs(5) and screwdriver (not provided).



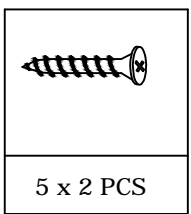
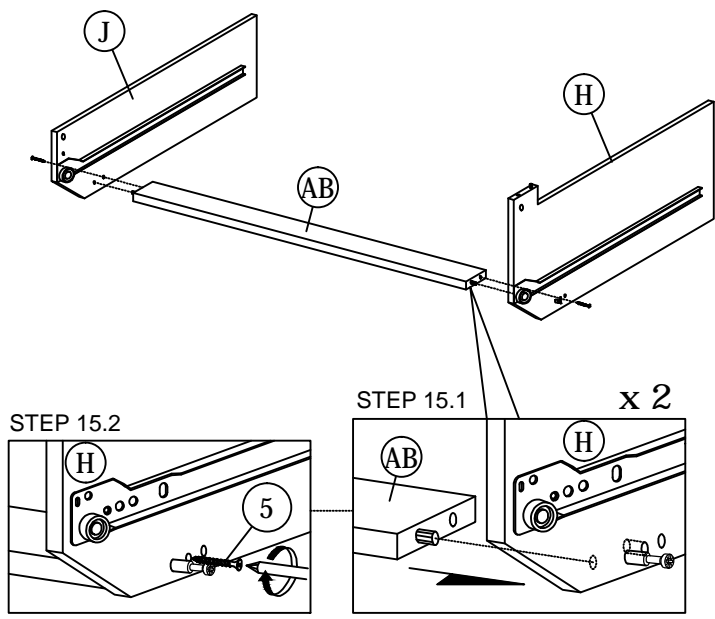
STEP 14

SIDE DRAWER

Secure with hardware ST 25 STEEL x 20pcs (10) and small mallet (not provide)

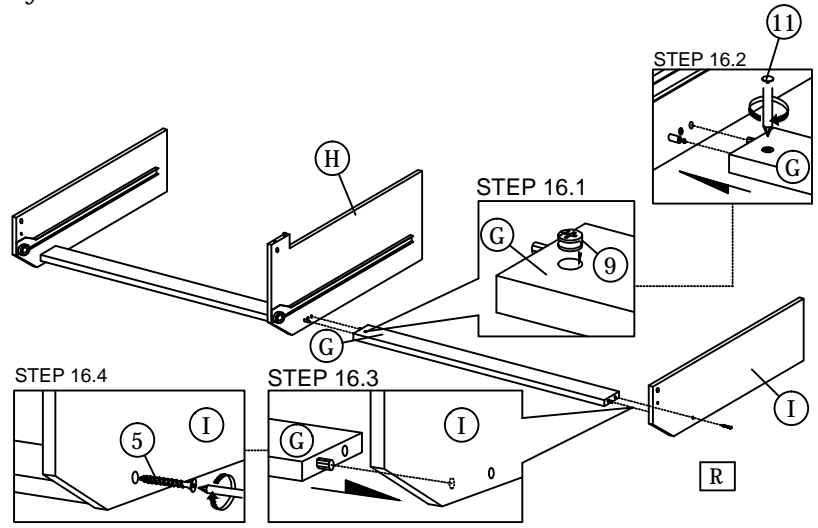


STEP 15



STEP 16

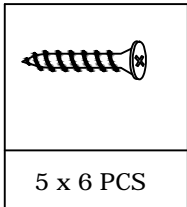
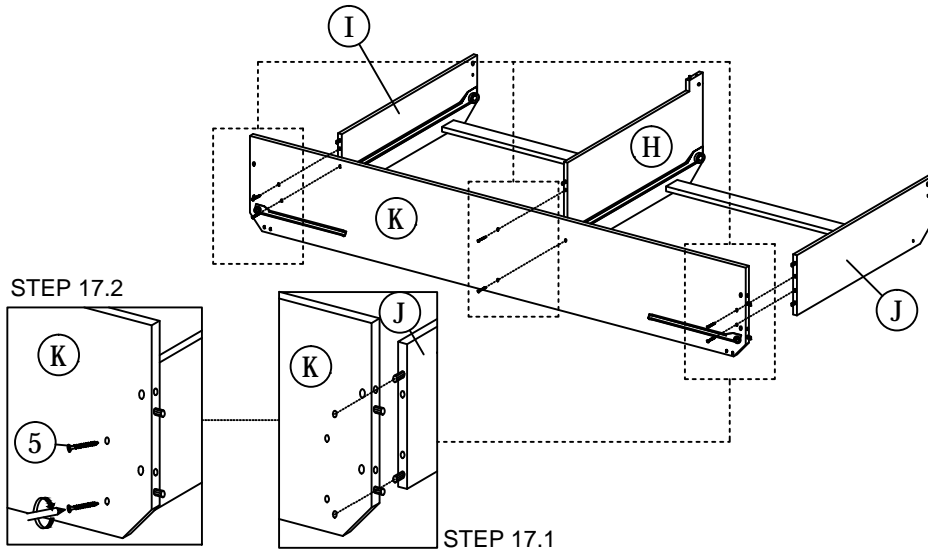
DO NOT use any power tools as this may damage the frame and will invalidate any claim.



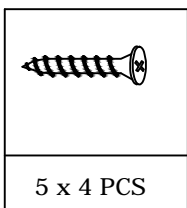
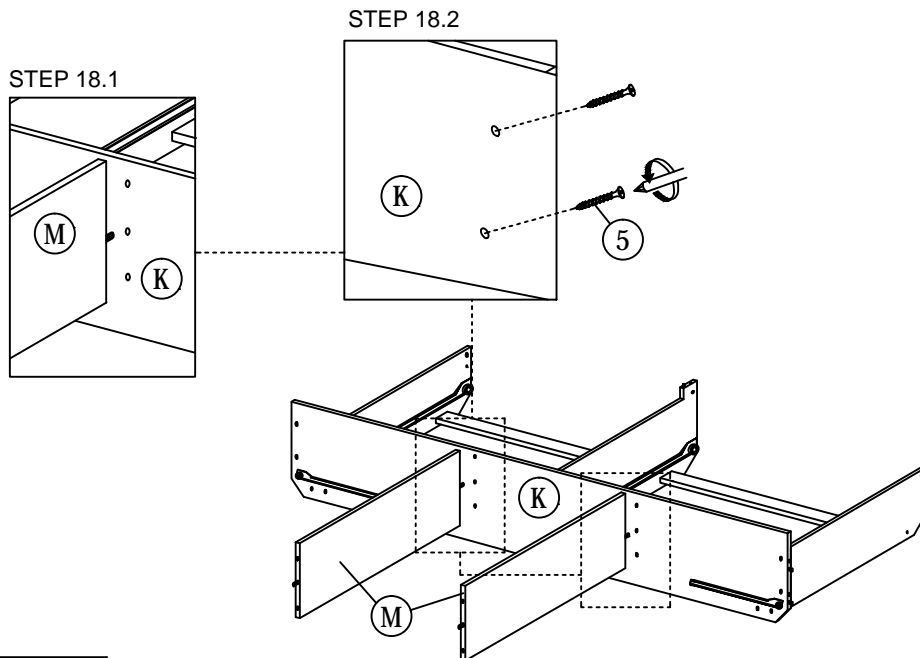
5 x 1 PC	9 x 1 PC	11 x 1 PC

REMARK
 Note : Arrow direction part need point toward the hole.

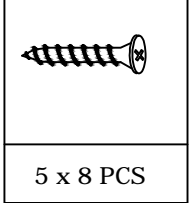
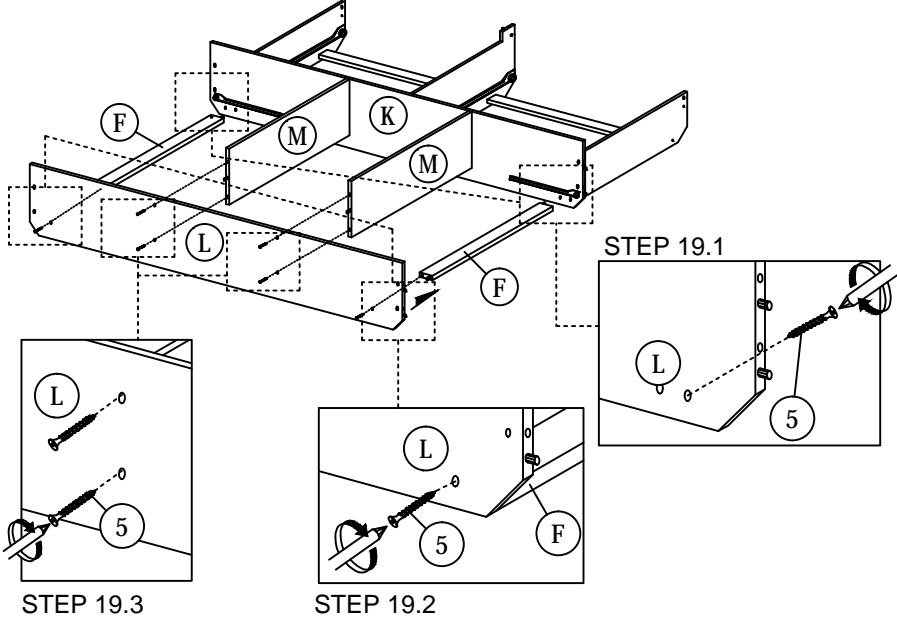
STEP 17



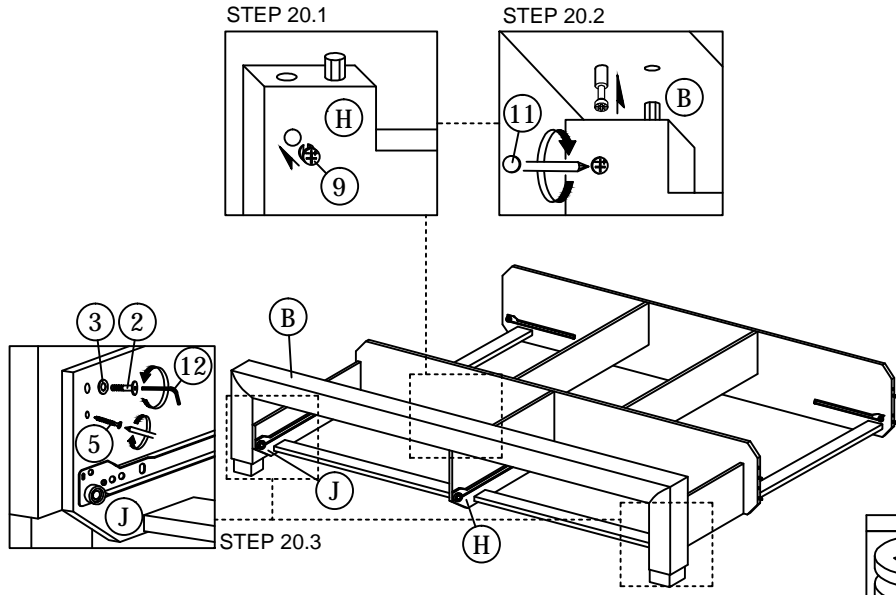
STEP 18



STEP 19



STEP 20

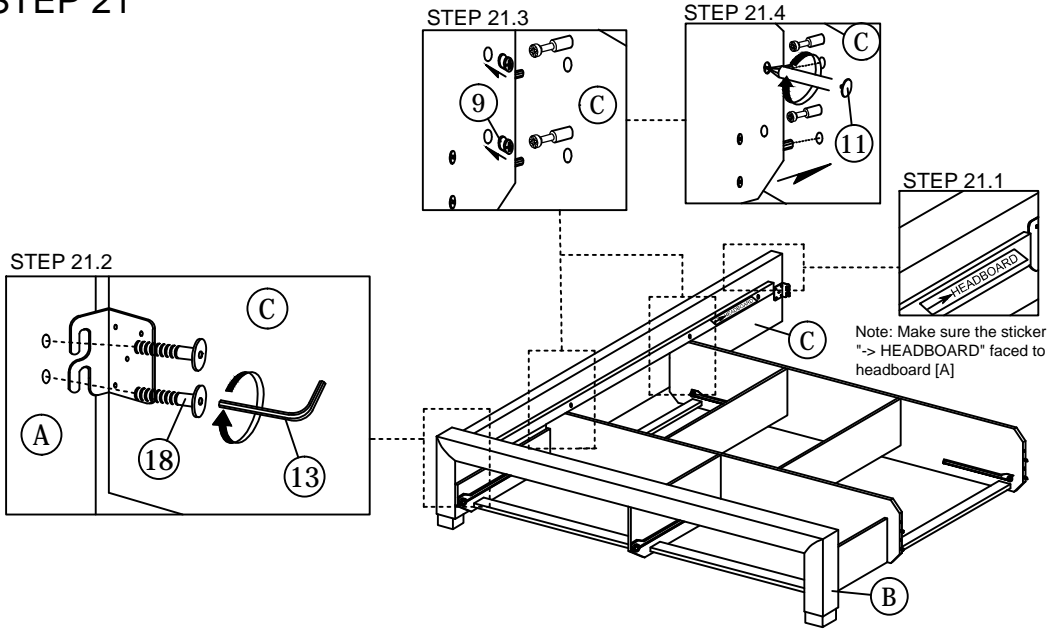


REMARK

Note : Arrow direction part need point toward the hole.

2 x 2 PCS	3 x 2 PCS	5 x 2 PCS	9 x 1 PC	11 x 1 PC	12 x 1 PC

STEP 21

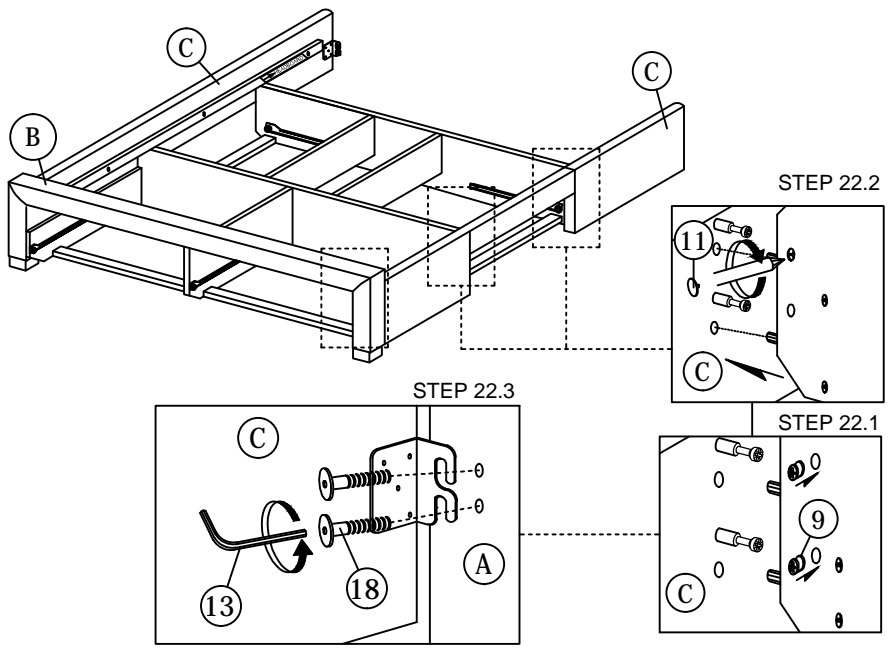


18 x 2 PCS	9 x 4 PCS	11 x 4 PCS	13 x 1 PC

REMARK

 Note : Arrow direction part need point toward the hole.

STEP 22

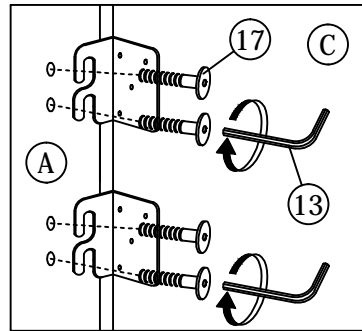
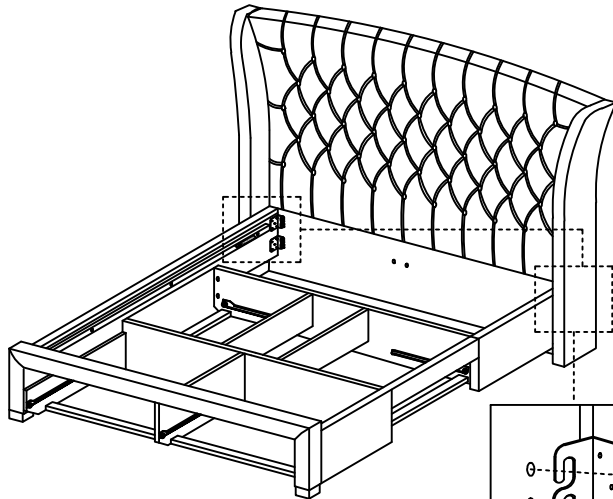


18 x 2 PCS	9 x 4 PCS	11 x 4 PCS	13 x 1 PC

REMARK

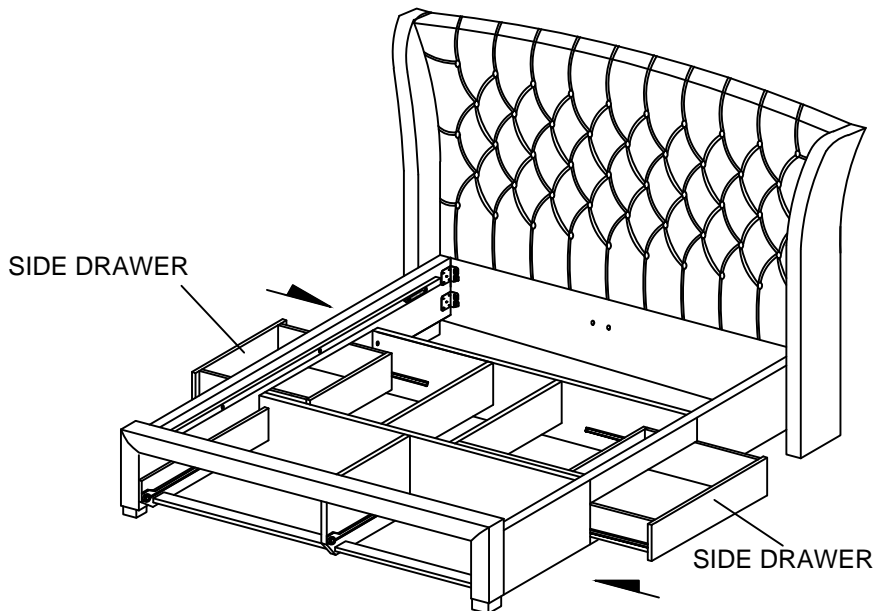
 Note : Arrow direction part need point toward the hole.

STEP 23

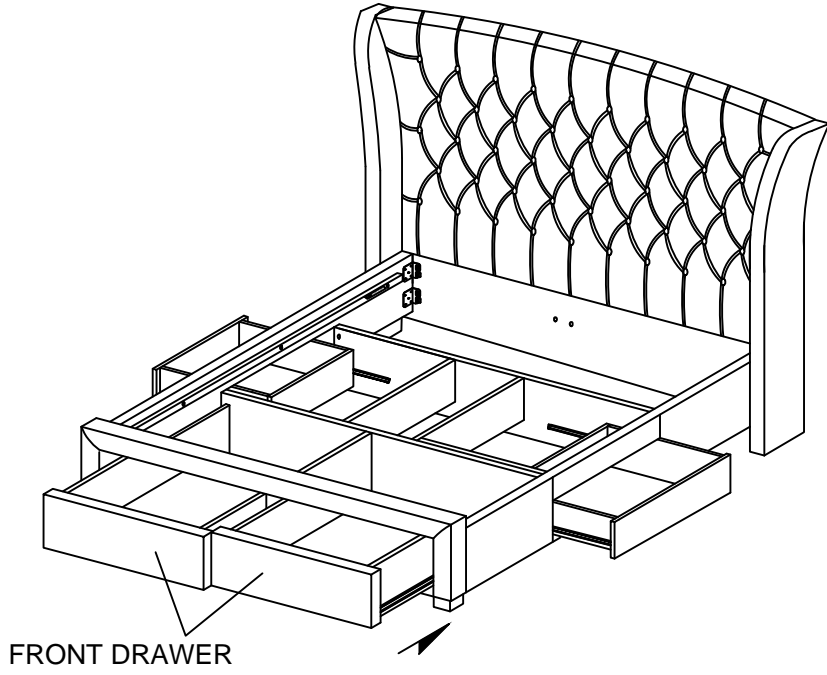


17 x 8 PCS	13 x 1 PC

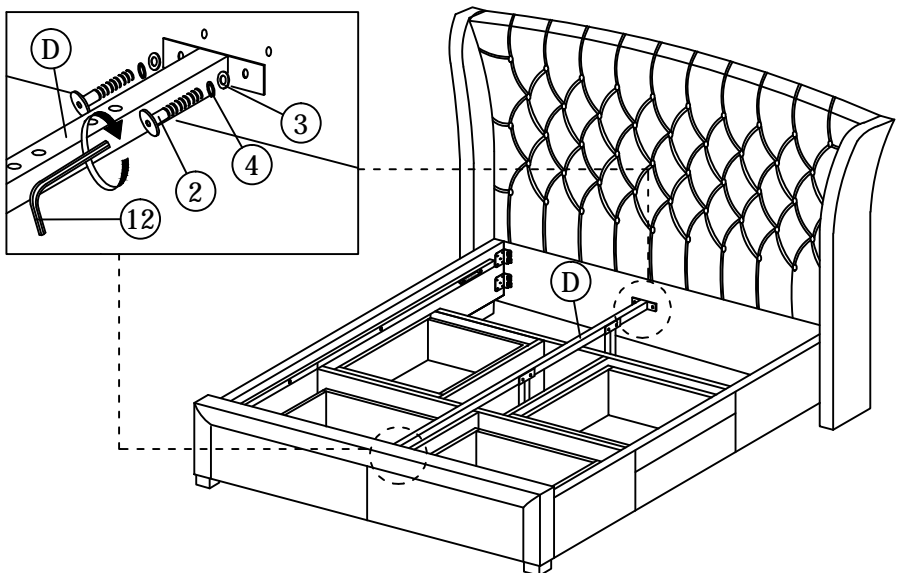
STEP 24

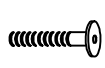
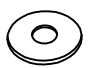

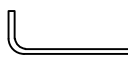


STEP 25

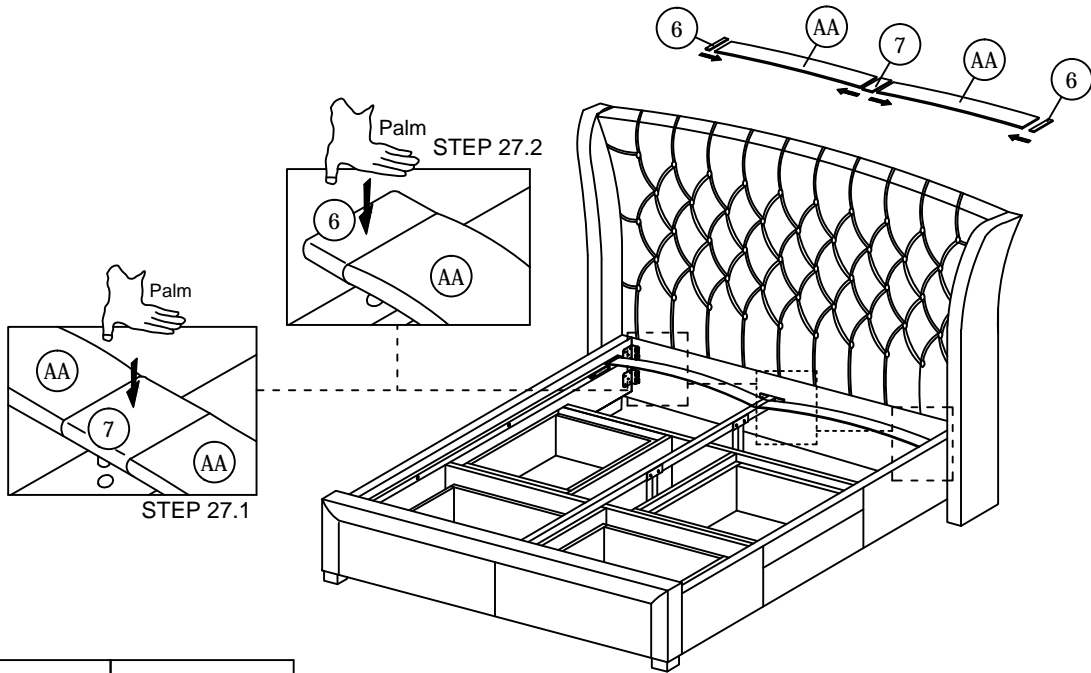




STEP 26



			
2 x 4 PCS	3 x 4 PCS	4 x 4 PCS	12 x 1 PC

STEP 27

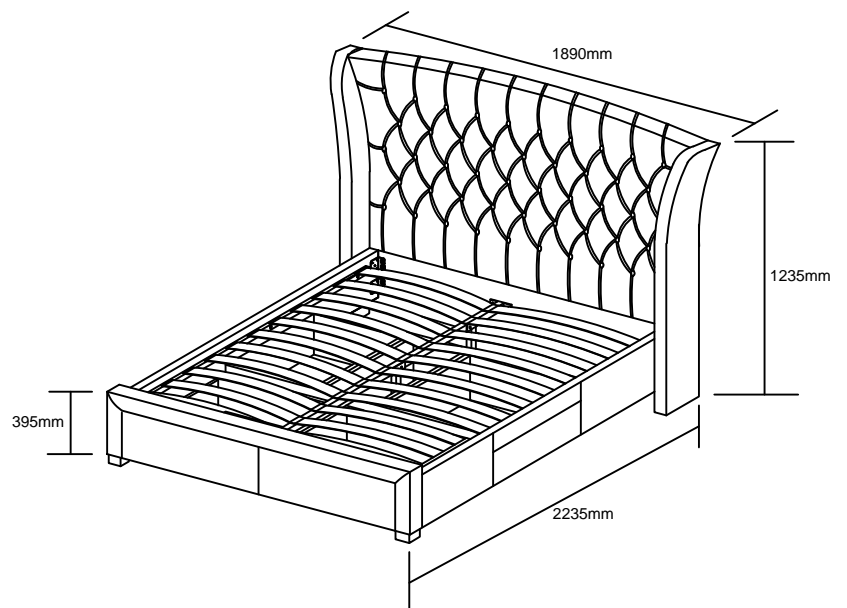
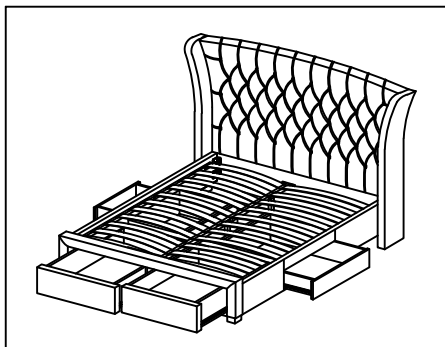


	
6 x 26 PCS	7 x 13 PCS

STEP 28

Extra Dimensions

Front Drawer Height = 150mm
 Front Drawer Length = 640mm
 Front Drawer Width = 480mm
 Side Drawer Height = 135mm
 Side Drawer Length = 760mm
 Side Drawer Width = 480mm



All dimensions are approximates.

General Care

Wipe clean with a slightly damp soft cloth.

Avoid the use of all household cleaners and abrasive.

When moving your furniture, carefully lift into place. Never drag or push the pieces across the floor as this will cause damage to the joints and could result in failure to the product that will invalidate the warranty.

Recommendations

Periodical re-tightening of fixings.

Warning

This unit is heavy. Please use assistance when lifting.

Notes

We've tried to make this bed frame as easy to assemble as possible. In the unlikely event that you have problem putting it together or have damaged or missing pieces, please contact your retailer directly you purchased it from who will be able to resolve any issue.

When correctly adjusted the centre support legs on this bed frame should be raised by 5mm from the floor with the added weight of the mattress and bedding.

This bed may fail if it is used on the wooden floor WITHOUT the use of non-slip pads on all support legs and bed posts

If the bed is to be removed, carefully lift and the bed frame rather than dragging to ensure that the centre legs do not become twisted and buckle.

