

Millie & Jones.

Assembly Guide

Before Assembly

- Check Parts - Unpack and ensure all parts are included and undamaged.
- Read Instructions - Review the guide fully before starting.
- Prepare the Space - Clear the area and assemble on a soft surface to prevent damage.
- Gather Tools - Use only the recommended tools.
- Get Help - Larger items may require two people.

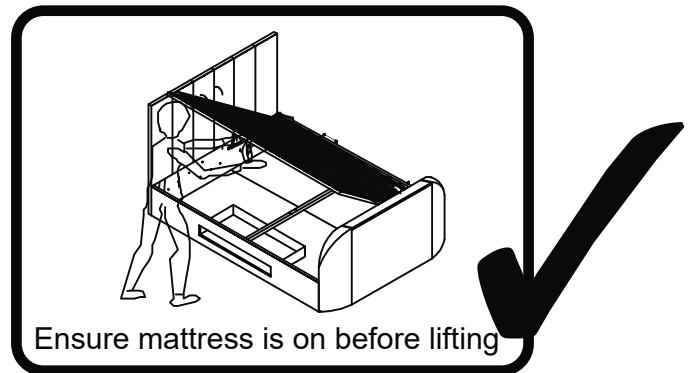
Health & Safety

- Keep Kids & Pets Away - Ensure a safe workspace.
- Lift Safely - Avoid strain; lift with care or get assistance.
- Wear Protection - Gloves help prevent injuries.
- Secure Loose Clothing - Avoid anything that could get caught.
- Handle Small Parts Carefully - Keep screws and fittings away from children.
- Dispose of Packaging Safely - Recycle and keep plastic bags out of reach.

Warning

- You must ensure that the mattress is on the bed frame before operating the lift mechanism, failure to do so could result in injury.
- Keep hands clear of the mechanism when opening or closing the ottoman.
- Beware of entrapment – Never reach in through the mechanism to access the storage area.
- Always ensure that the ottoman is FULLY opened before accessing the storage area.
- Do not exceed the maximum weight as specified in the table below:

Bed	Bed Size	Min Weight (kg)	Max Weight (kg)
Megane Boucle Ottoman TV Bed	Double	20	50
	King	20	50



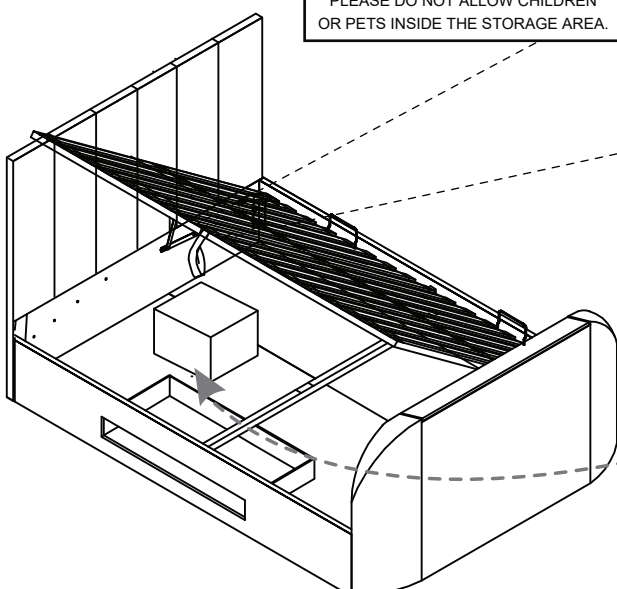
- Use caution when operating, always use the handle when lifting.
- Note: This bed uses a pressurised mechanism.
- To be operated by adults only
- Please ensure that children and pets are kept away from the bed when operating the lift mechanism.
- Keep children and pets away from the storage area.
- Do not overload the internal storage base.
- Do not stand inside the internal storage area of the bed.
- Before removing the mattress secure the frame to ensure it does not open unexpectedly.
- Do not attempt to lay on the mattress when the ottoman is in the raised position.

SAFETY WARNING
PLEASE DO NOT ALLOW CHILDREN OR PETS INSIDE THE STORAGE AREA.

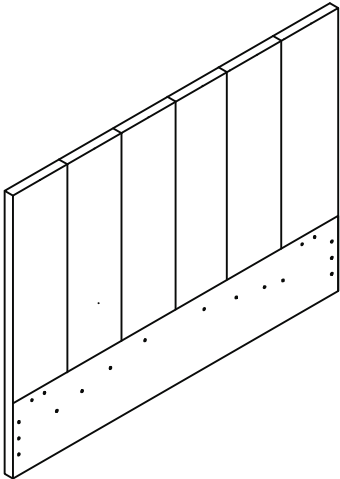
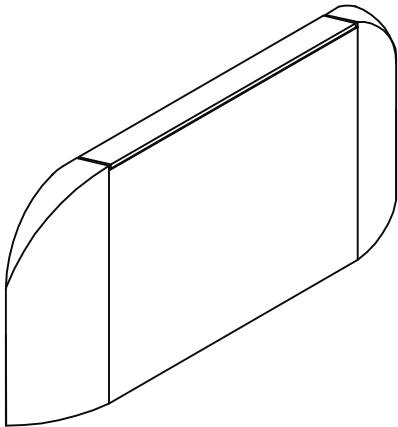
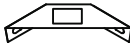
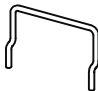
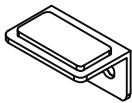
SAFETY WARNING
PLEASE BE CAREFUL WHEN LIFTING. ONLY LIFT WITH MATTRESS ON TOP. TO BE OPERATED BY ADULTS ONLY.

WARNING: ONLY USE THE HANDLE TO LIFT & LOWER THE BED FRAME TO AVOID TRAPPING FINGERS!

TO AVOID ACCIDENTS
TO ACCESS THE STORAGE AREA THE OTTOMAN FRAME MUST BE FULLY OPENED AND THEN FULLY CLOSED AFTERWARDS

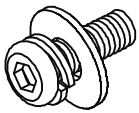

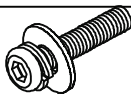

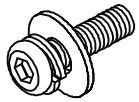





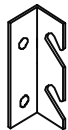
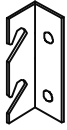


Note: Be very careful what you store under the bed - the top of an item, like a box or a suitcase, must not touch the slats or they may be damaged. Maximum storage height is 250mm.

Components Packed in carton 1	Components Packed in carton 2
<p>(1) Headboard x 1</p> 	<p>(2) Footboard x 1</p>  <p>(6) Angled corner bracket x2</p>  <p>(11) Mattress Stopper x2</p>  <p>(13) Support bracket x2</p> 

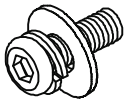


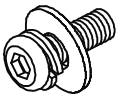
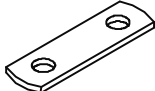

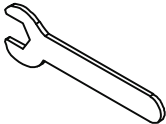
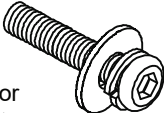
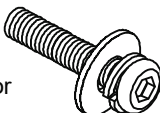
HARDWARE FOR ASSEMBLY IS PACKED IN CARTON 2

HARDWARE FOR ASSEMBLING THE BED

<p>A x12</p>  <p>Bolt sets (M8x35mm) for fitting side rails (3) to headboard & footboard (1&2)</p>	<p>D x20</p>  <p>Bolt sets (M8x20mm) for fitting corner brackets L&R</p>	<p>E x4</p>  <p>Bolt sets (M6x45mm) for fitting 'U' shape cross bar to side rails</p>	<p>S x11</p>  <p>Screw (4x40) for media tray assembly</p>
<p>F x16</p>  <p>Bolt sets (M6x20mm) for fitting brackets (6&13) to side rails</p>	<p>G x1</p>  <p>Allen key for M6 bolts</p>	<p>H x1</p>  <p>Allen key for M8 bolts</p>	<p>T x11</p>  <p>Plastic barrel nuts for media tray assembly.</p>
<p>L x2</p>  <p>Triple Angle bracket - LH Hook</p>	<p>M x2</p>  <p>Triple Angle bracket - RH Hook</p>	<p>J x1</p>  <p>Media Tray Angle bracket - Right Side</p>	<p>K x1</p>  <p>Media Tray Angle bracket - Left Side</p>

HARDWARE FOR ASSEMBLING THE METAL SLAT FRAME - PACKED IN CARTON 2

HARDWARE FOR ASSEMBLING THE METAL SLAT FRAME

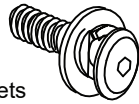
<p>A x4</p>  <p>Bolt sets (M8x35mm) for fitting lift mechanism to footboard (2)</p>	<p>B x6</p>  <p>M8 Spring Washer</p>	<p>C x6</p>  <p>M8 Flat Washer</p>
<p>D x4</p>  <p>Bolt sets (M8x20mm) for fitting metal connection plate</p>	<p>N x2</p>  <p>Metal connection plate</p>	<p>O x10</p>  <p>Flanged M8 lock-nuts</p>
<p>P x1</p>  <p>Spanner for flanged M8 lock-nuts</p>	<p>Q x6</p>  <p>Bolt sets (M8x50mm) for fitting metal slat frame to lift mechanism (7&8)</p>	<p>R x4</p>  <p>Bolt sets (M8x65mm) for fitting lift mechanism to headboard (1)</p>

HARDWARE FOR ASSEMBLING THE BED & FITTING THE TV - PACKED IN CARTON 2

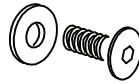
TV INSTALLATION KIT

a x2

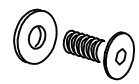
Screw-Washer Sets
(M8x25mm)
Use 5mm Allen Key (D)



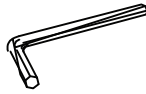
Counter-Sunk Screws
(M6x12mm)



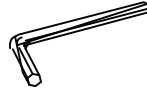
Counter-Sunk Screws
(M4x12mm)



b x2



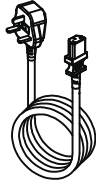
Allen Key (4mm)



Allen Key (2.5mm)

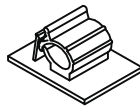
CABLES & ACCESSORIES FOR TV INSTALLATION

S x1



Power Lead - 3 metre

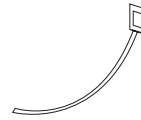
x3/



Cable Clips

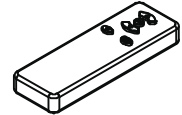
3 x

W



Cable Ties

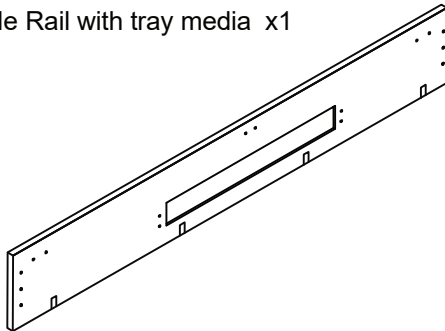
Y x1



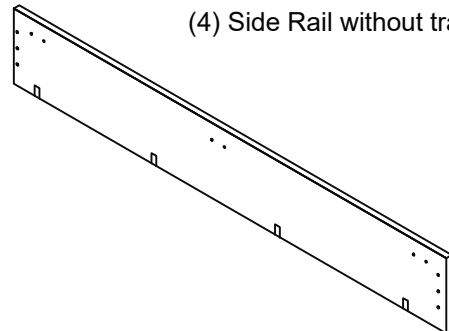
Remote Control

Components Packed in carton 3

(3) Side Rail with tray media x1

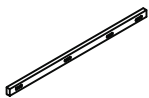


(4) Side Rail without tray media x1

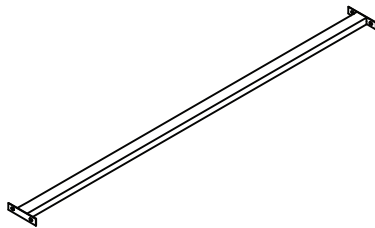


Components Packed in carton 4

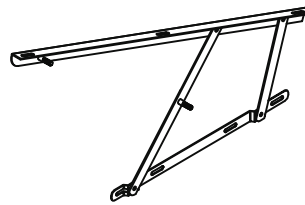
(5) Spacer Rails for Lift Mechanism x2



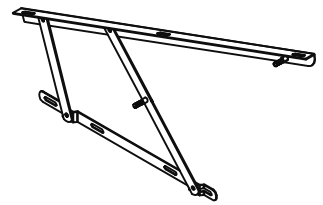
(6) Shape Cross Bar x1



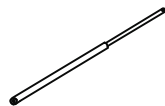
(7) Lift Mechanism - LH x1



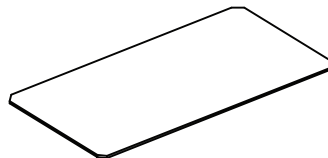
(8) Lift Mechanism - RH x1



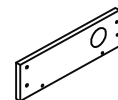
(9) Gas Lift Pistons x2



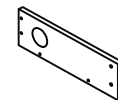
(11) Base boards x2



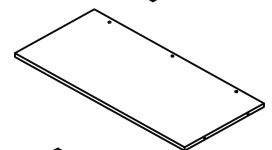
(12) Media Tray RH Side x1



(13) Media Tray LH Side x1



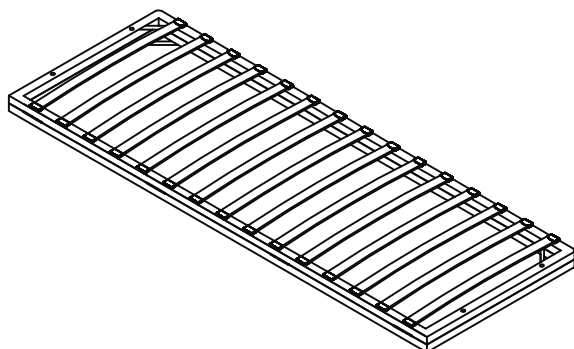
(14) Media Tray Base x1



(15) Media Tray x1



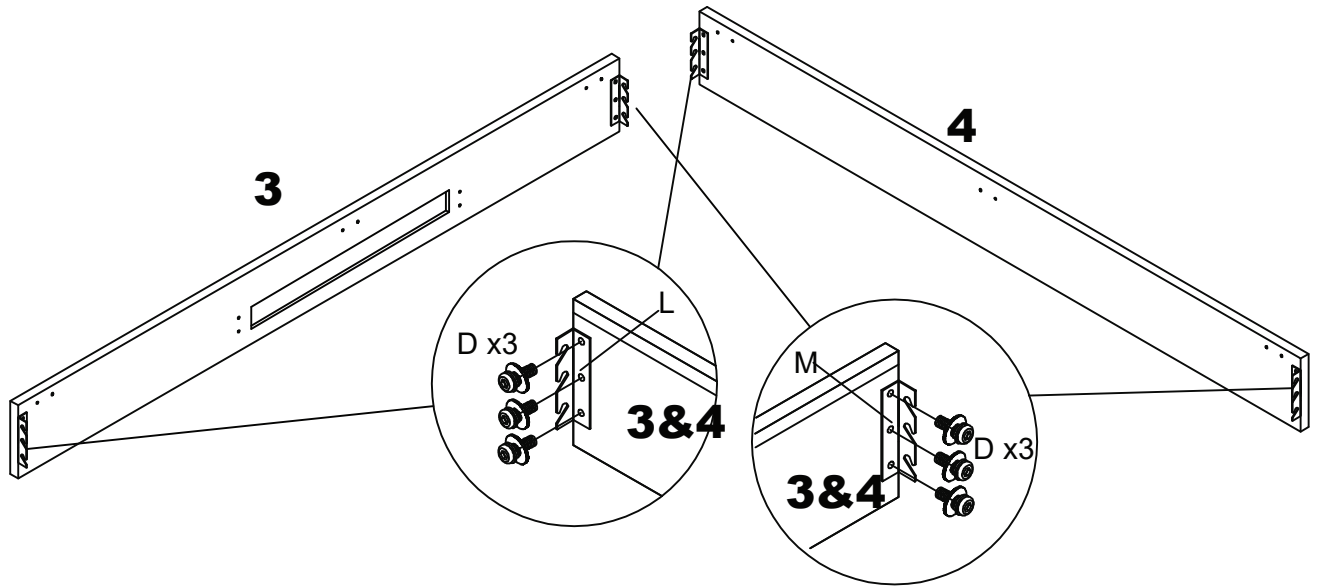
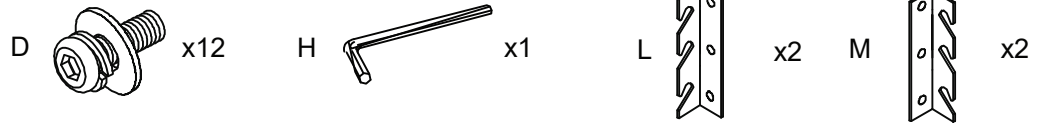
(10) Metal Slat Frame for Double or King Size x1



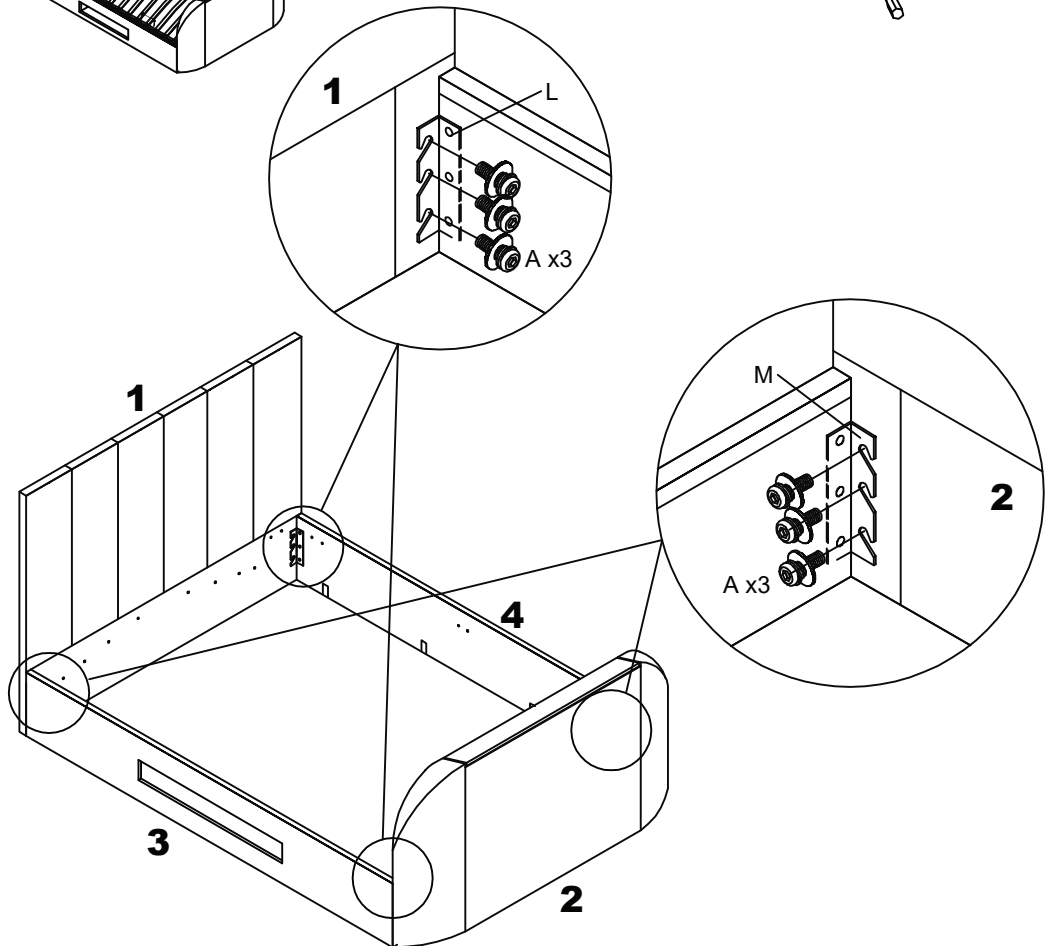
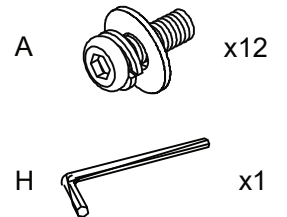
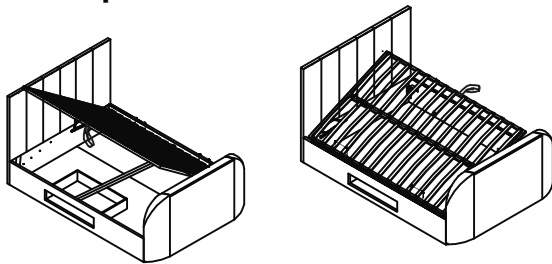
(16) Fabric Hand Strap x1



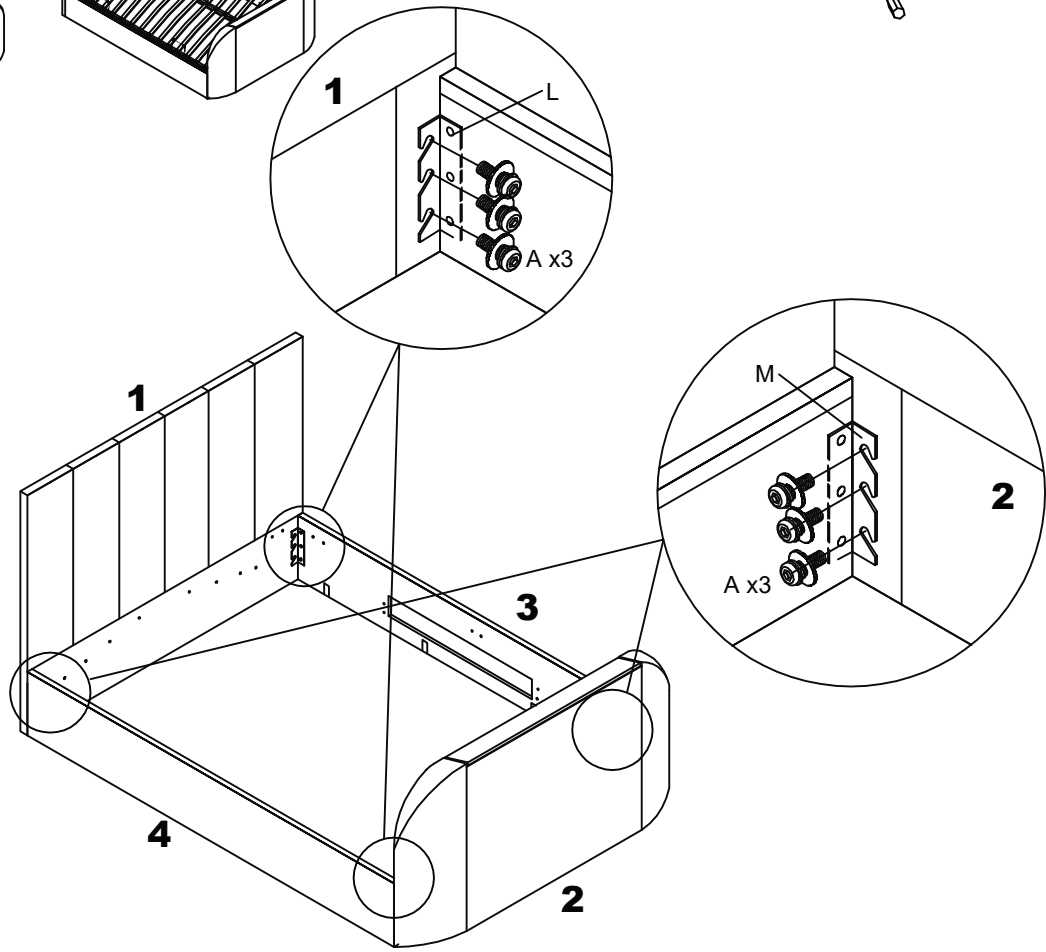
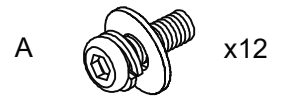
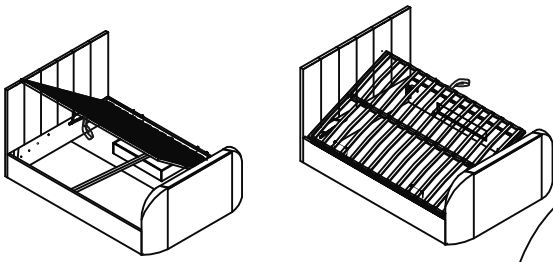
Step 1



Step 2a



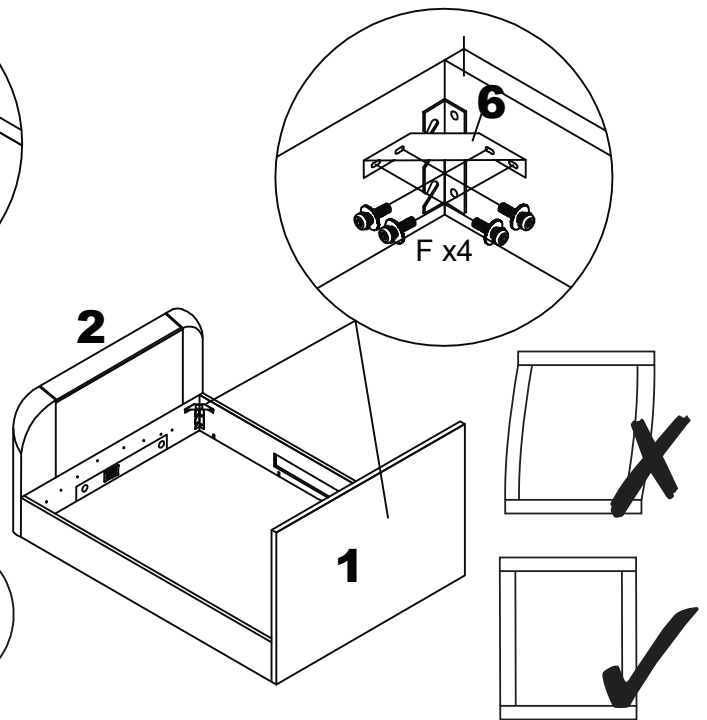
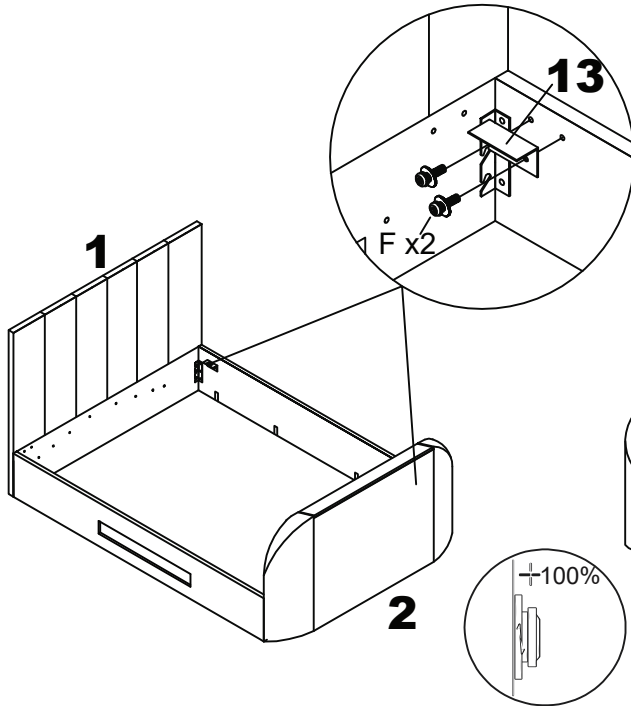
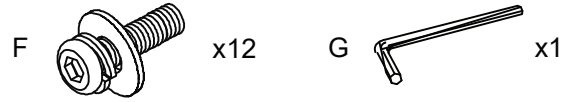
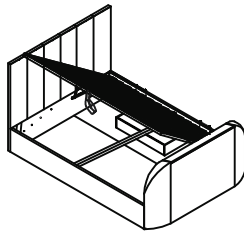
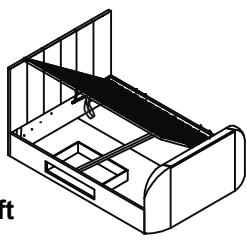
Step 2b



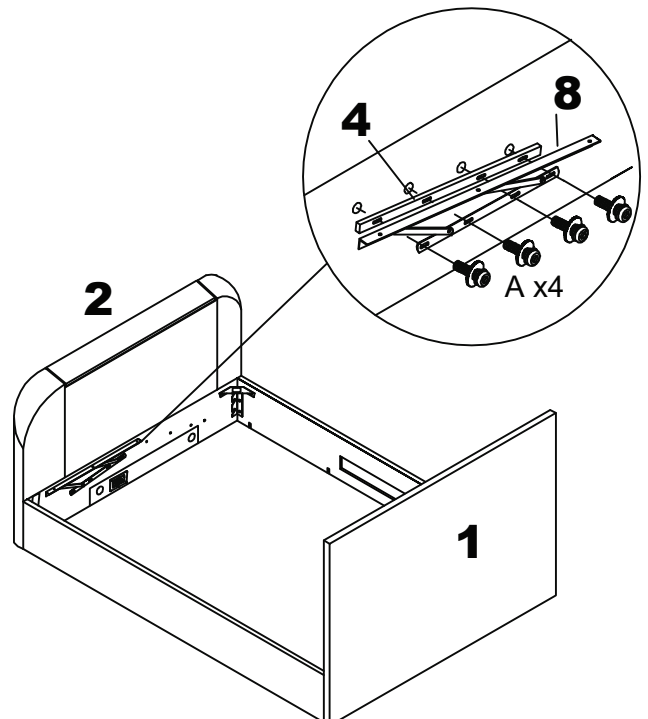
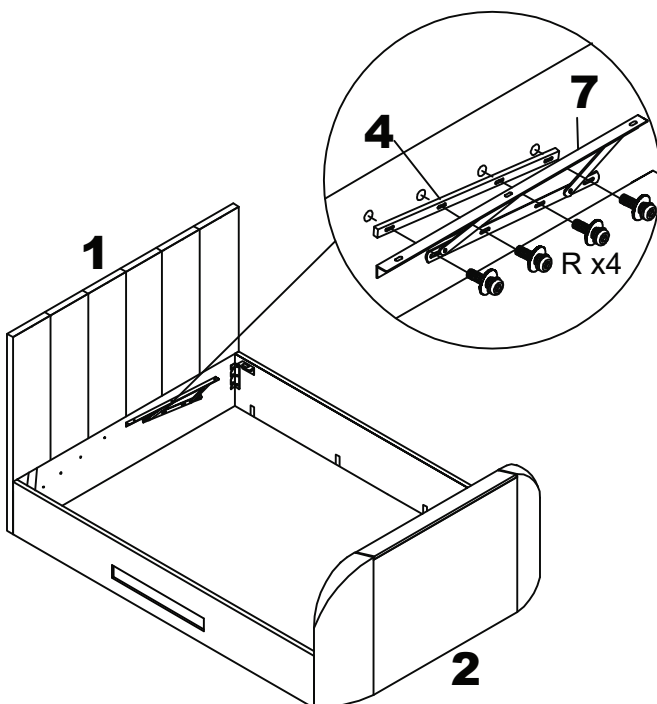
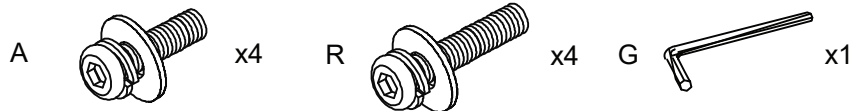
Step 3a

Please choose which side of the slat-frame to lift up to reach into the storage area.
To lift from the LEFT, follow Step (3a, 4a & 16a) to lift from the RIGHT, steps (3b, 4b & 16b).
Depending which size of bed you have purchased, use the relevant hardware for the Double size, King size or Super-King size bed.

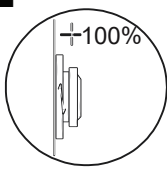
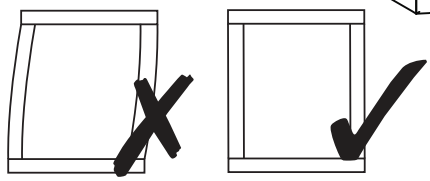
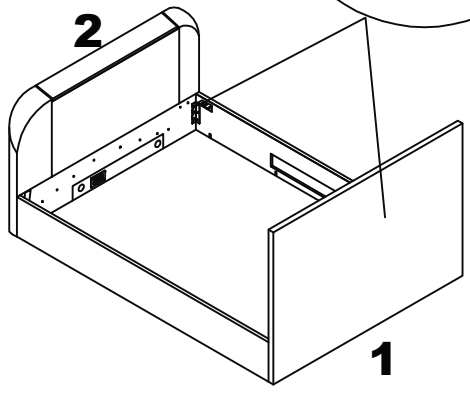
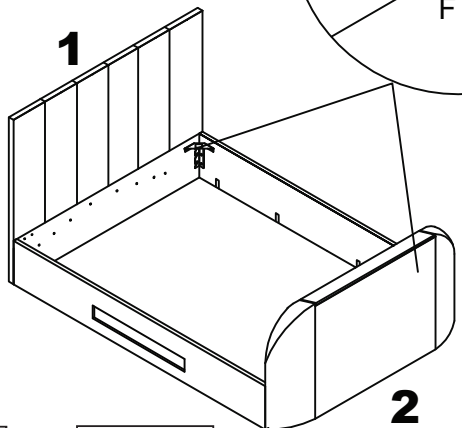
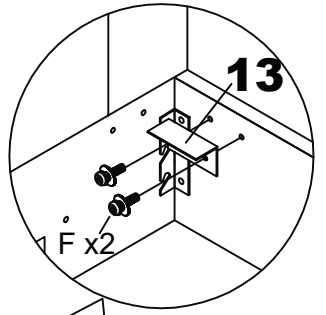
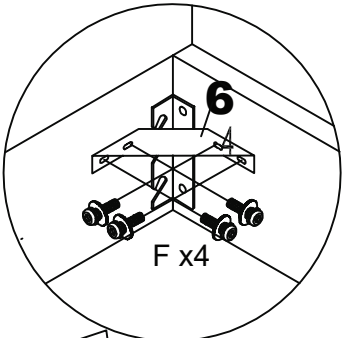
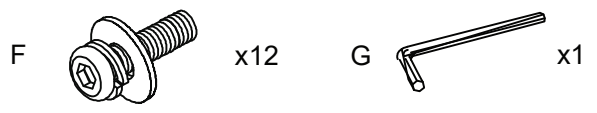
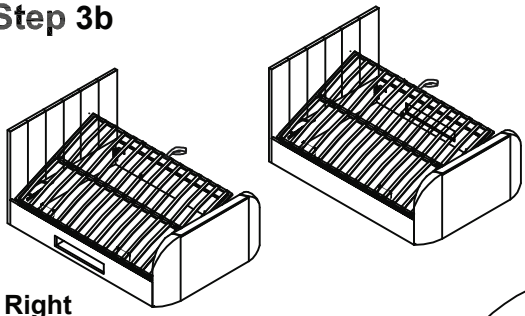
Left



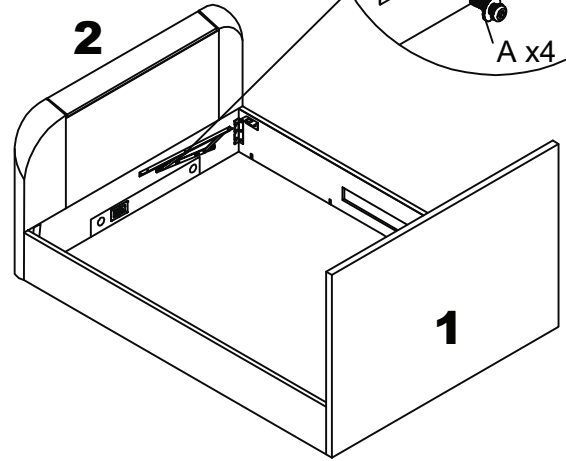
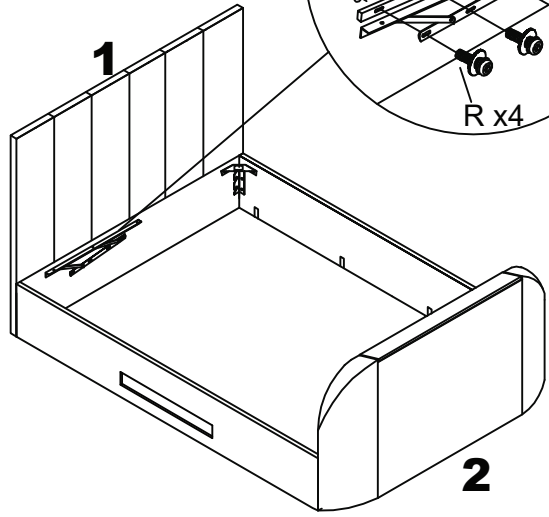
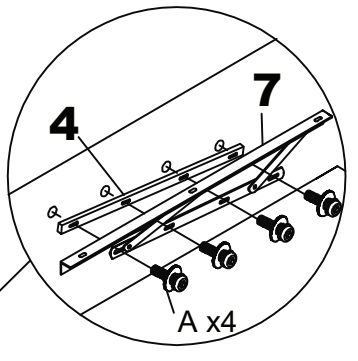
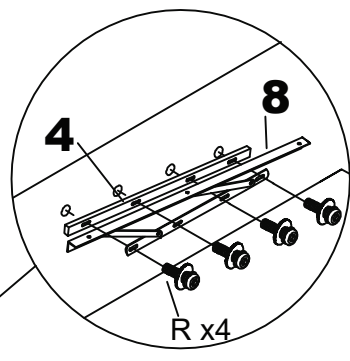
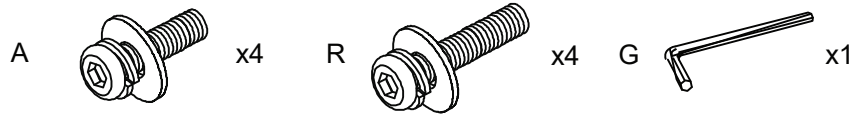
Step 4a



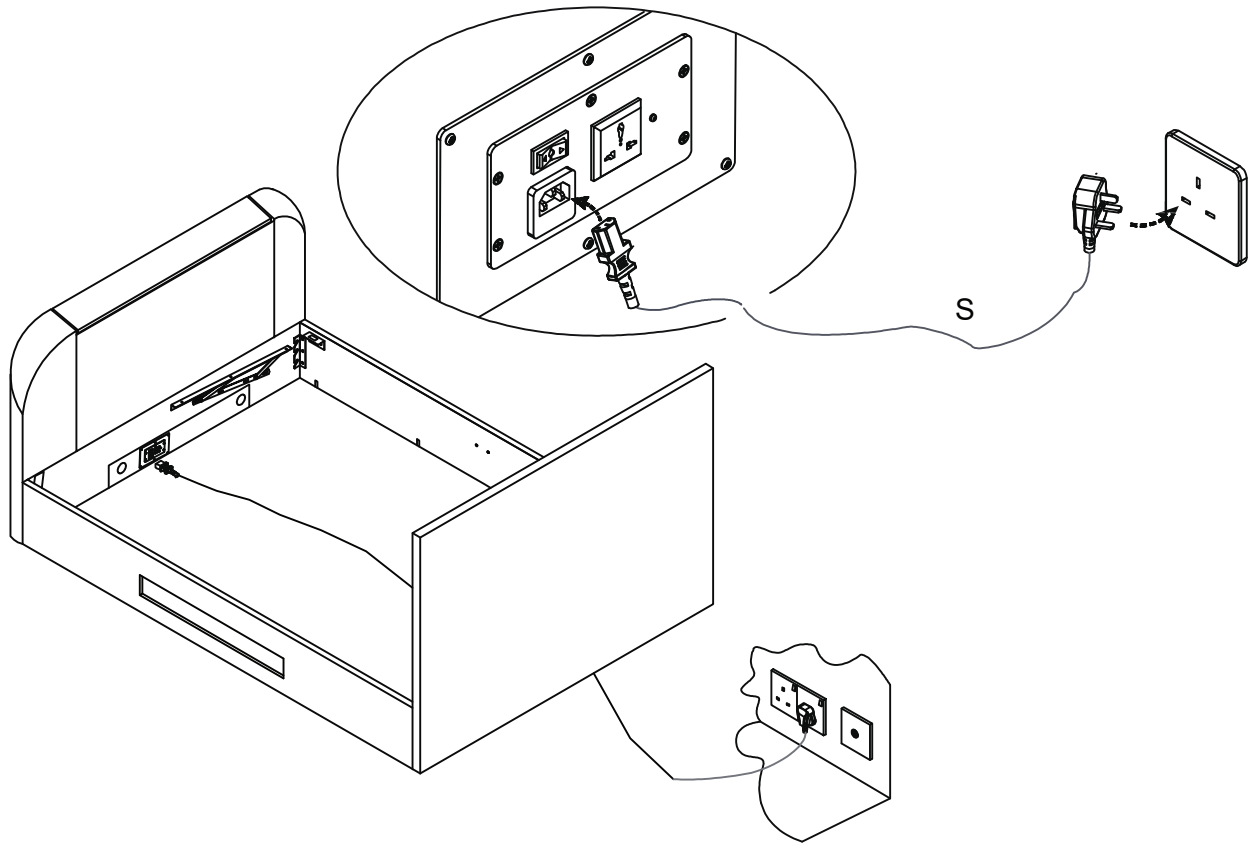
Step 3b



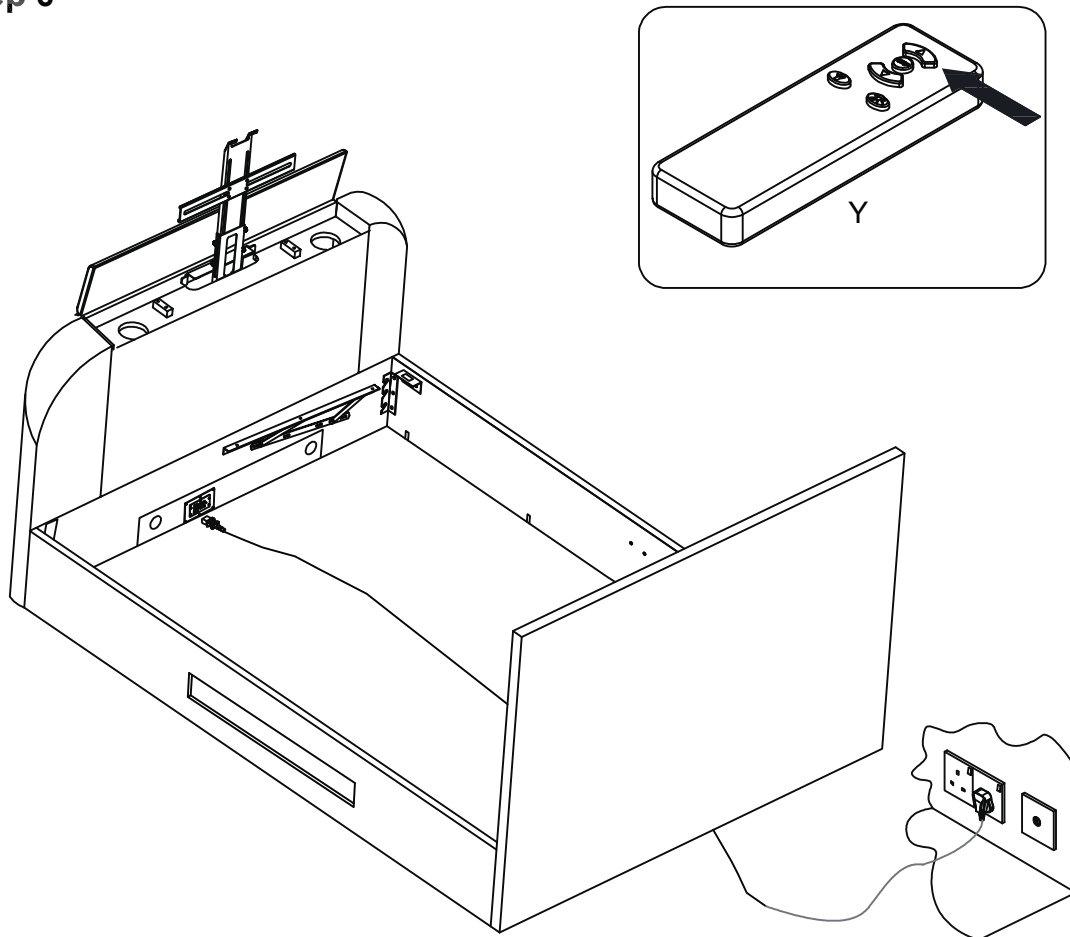
Step 4b



Step 5



Step 6



Step 7

Note: For illustration purposes only, TV connections may vary.

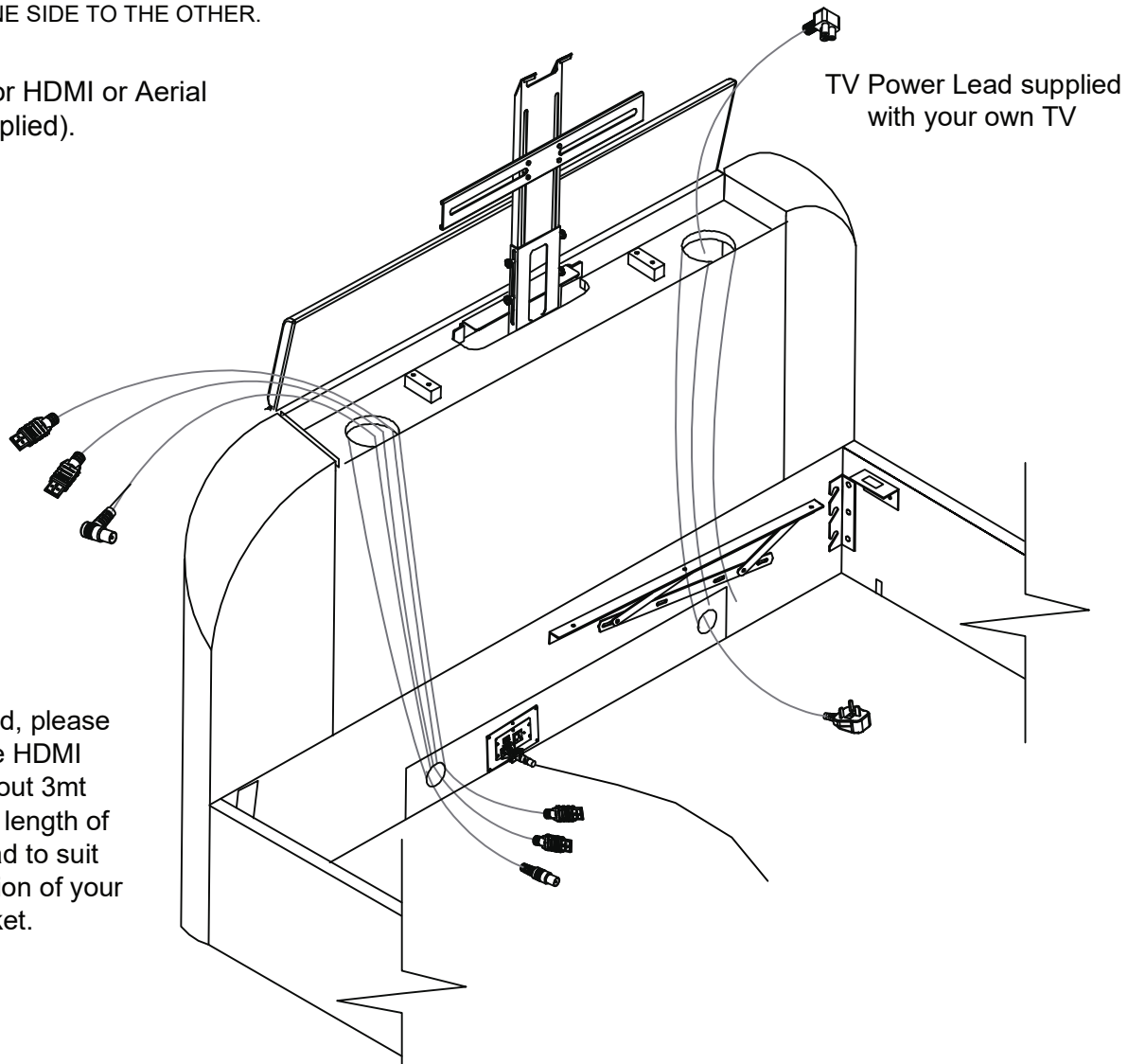
TIP:

BEFORE FITTING THE TV, PUSH CABLES THROUGH EACH DUCT FROM THE TOP. CHOOSE THE BEST SIDE TO USE DEPENDING ON WHERE THE CONNECTION PORTS ARE ON BACK OF YOUR TV. NEVER CROSS CABLES FROM ONE SIDE TO THE OTHER.

Leads for HDMI or Aerial
(not supplied).

TV Power Lead supplied
with your own TV

If required, please
purchase HDMI
leads about 3mt
long and length of
aerial lead to suit
the position of your
wall socket.

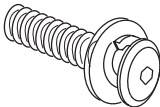
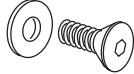
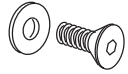
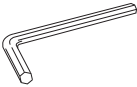
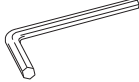


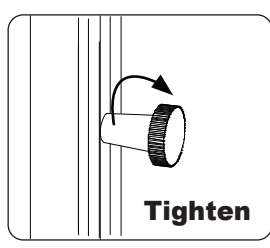
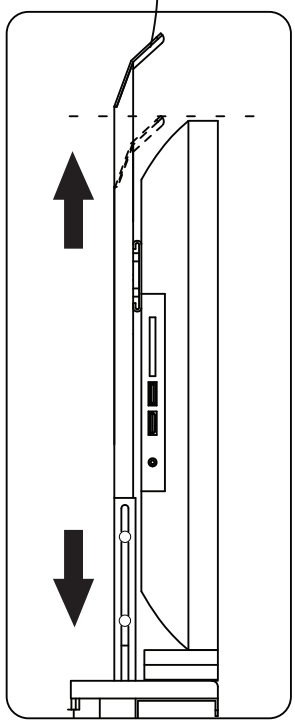
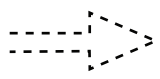
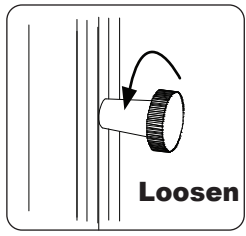
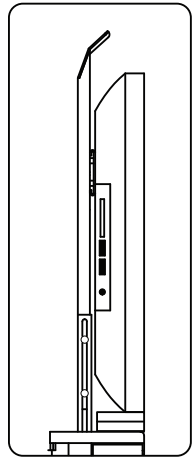
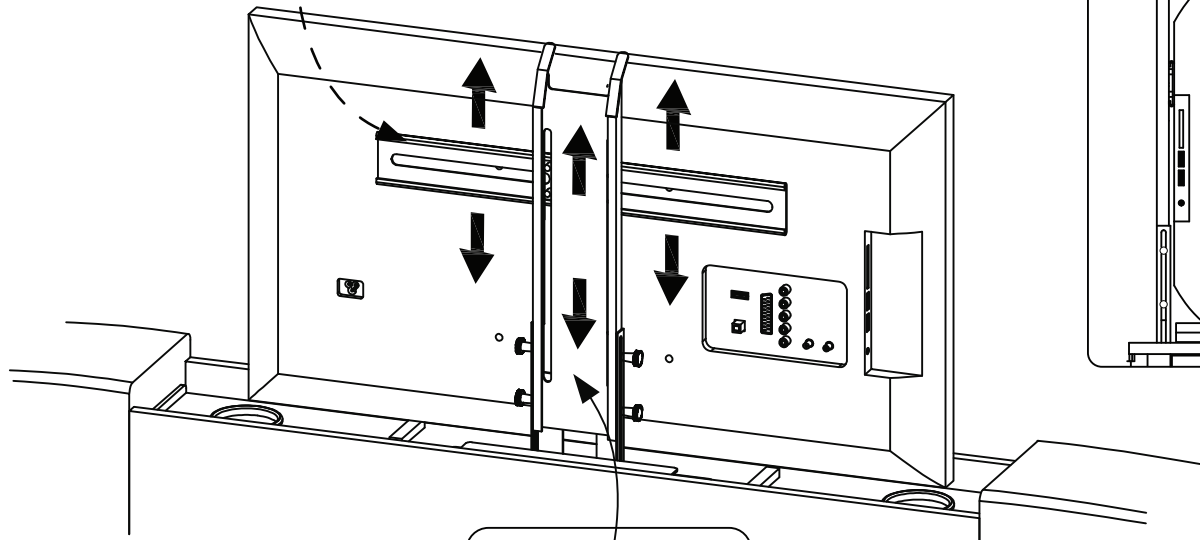
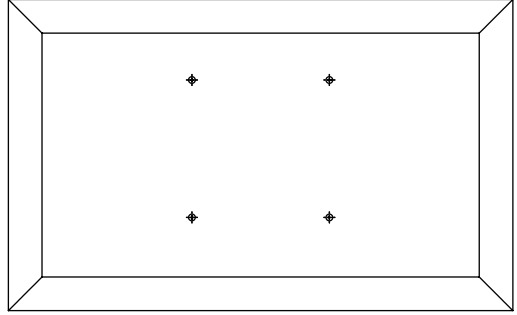
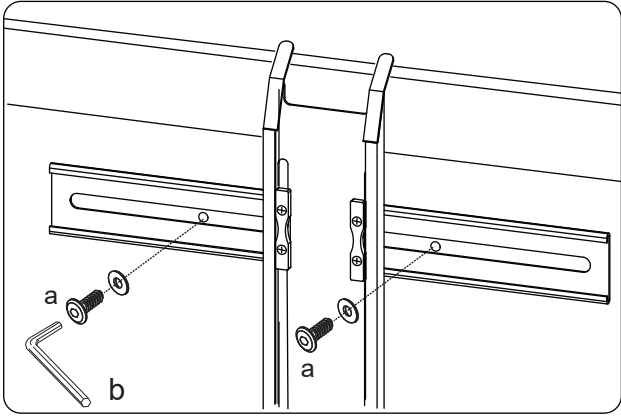
Step 8

TV Installation - Normal Vesa Fixing

IF SCREWS ARE SUPPLIED WITH TV, PLEASE USE THOSE IN PREFERENCE

Choose a suitable set of hardware

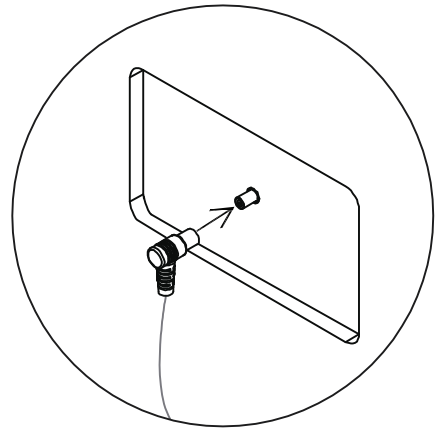
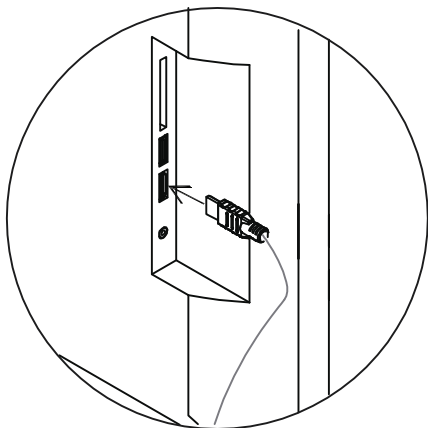
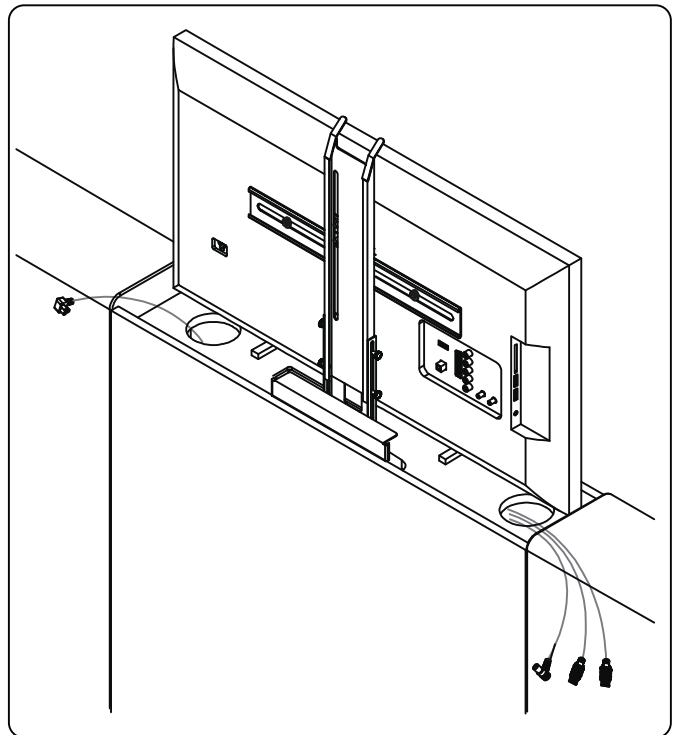
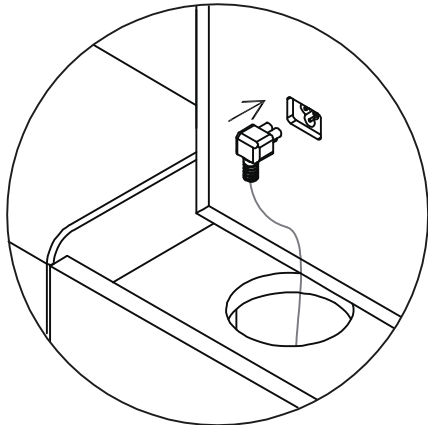
- a) Bolt sets M8 x 25mm  Counter-sunk screw sets (M6x12mm)  Counter-sunk screw sets (M4x12mm) 
- b) Allen key (2.5mm)  Allen key (4mm) 



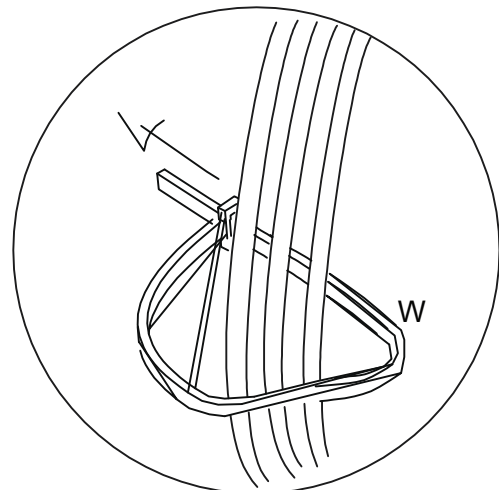
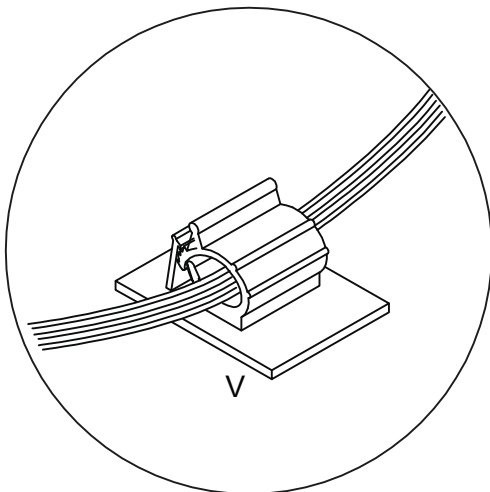
Step 9

Note: For illustration purposes only, TV connections may vary.

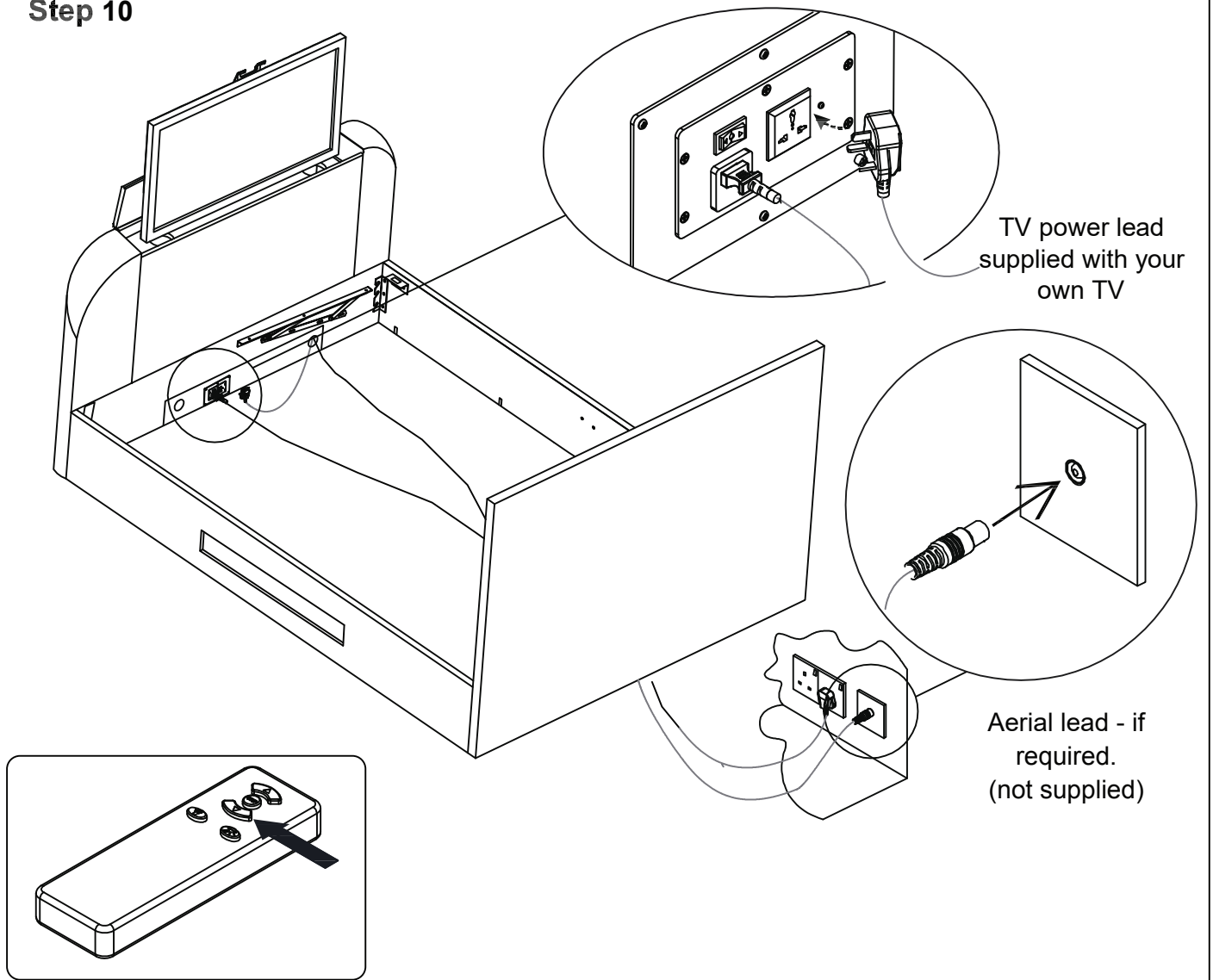
TV power lead supplied
with your own TV



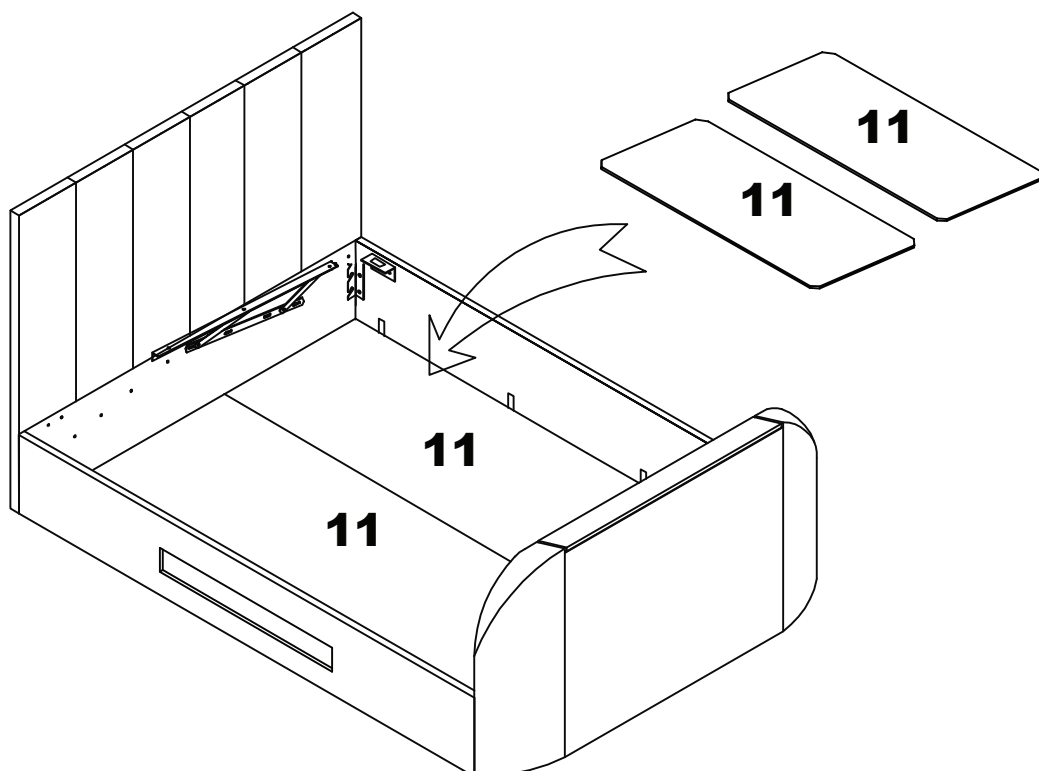
Keep wires tight - peel
off cover from cable clips
& adhere to back of TV.







Step 10

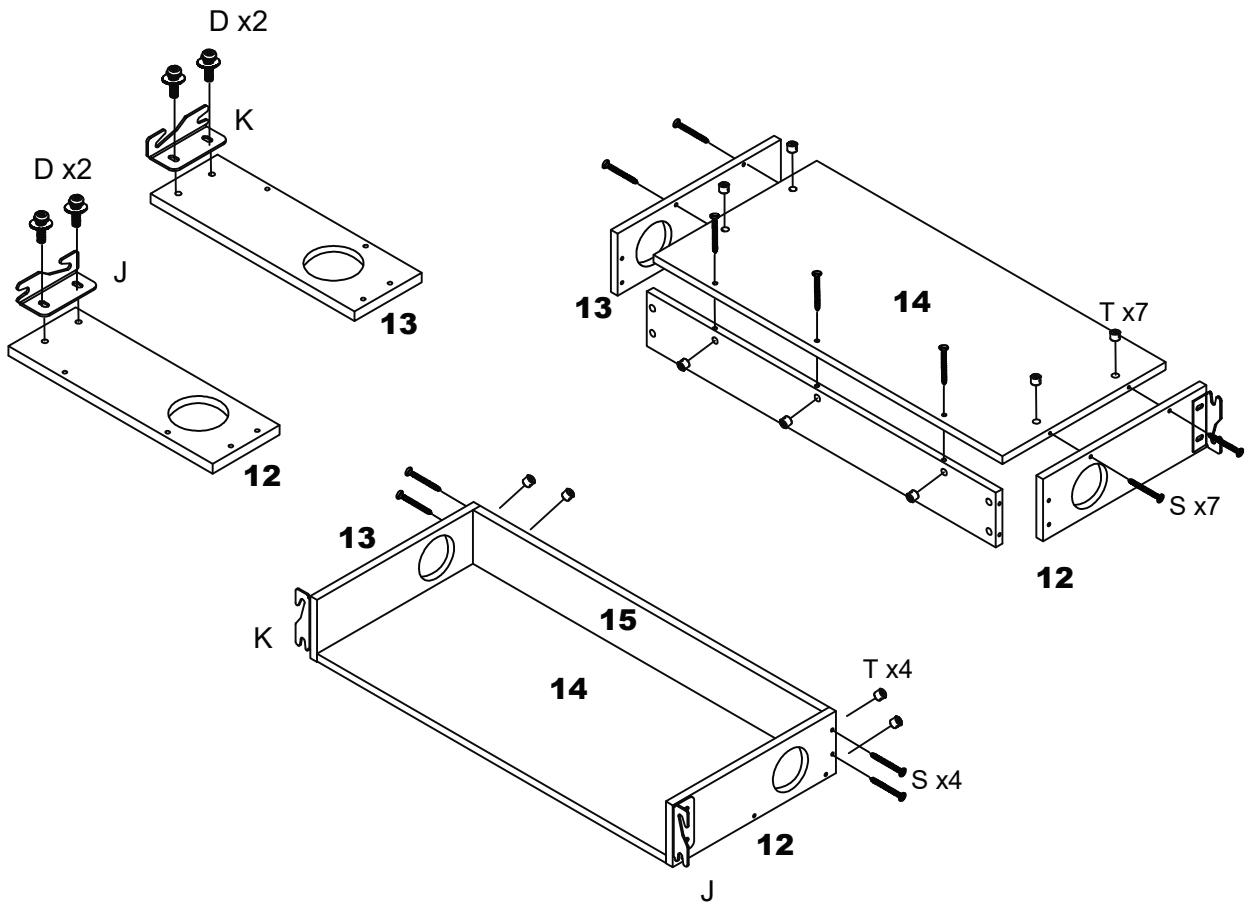


Step 11

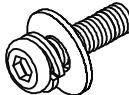



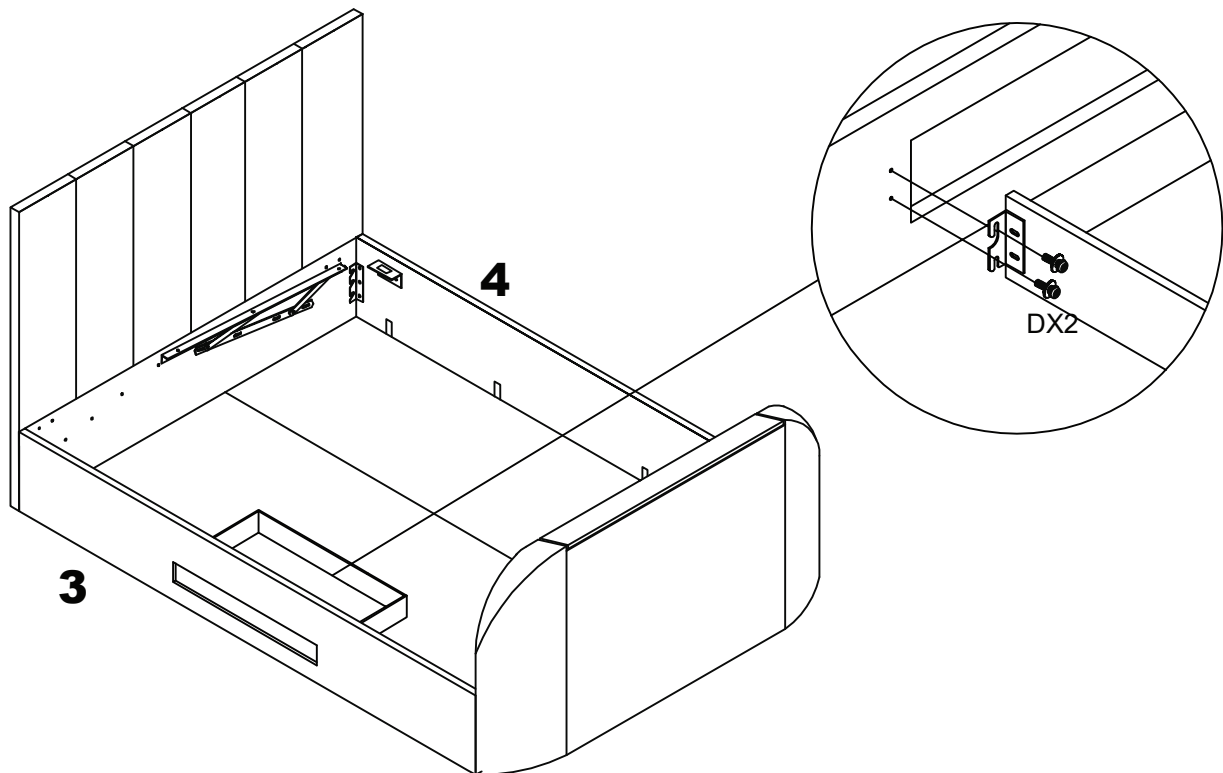
Step 12

S  x11 D  x4 H  x1 T  x11

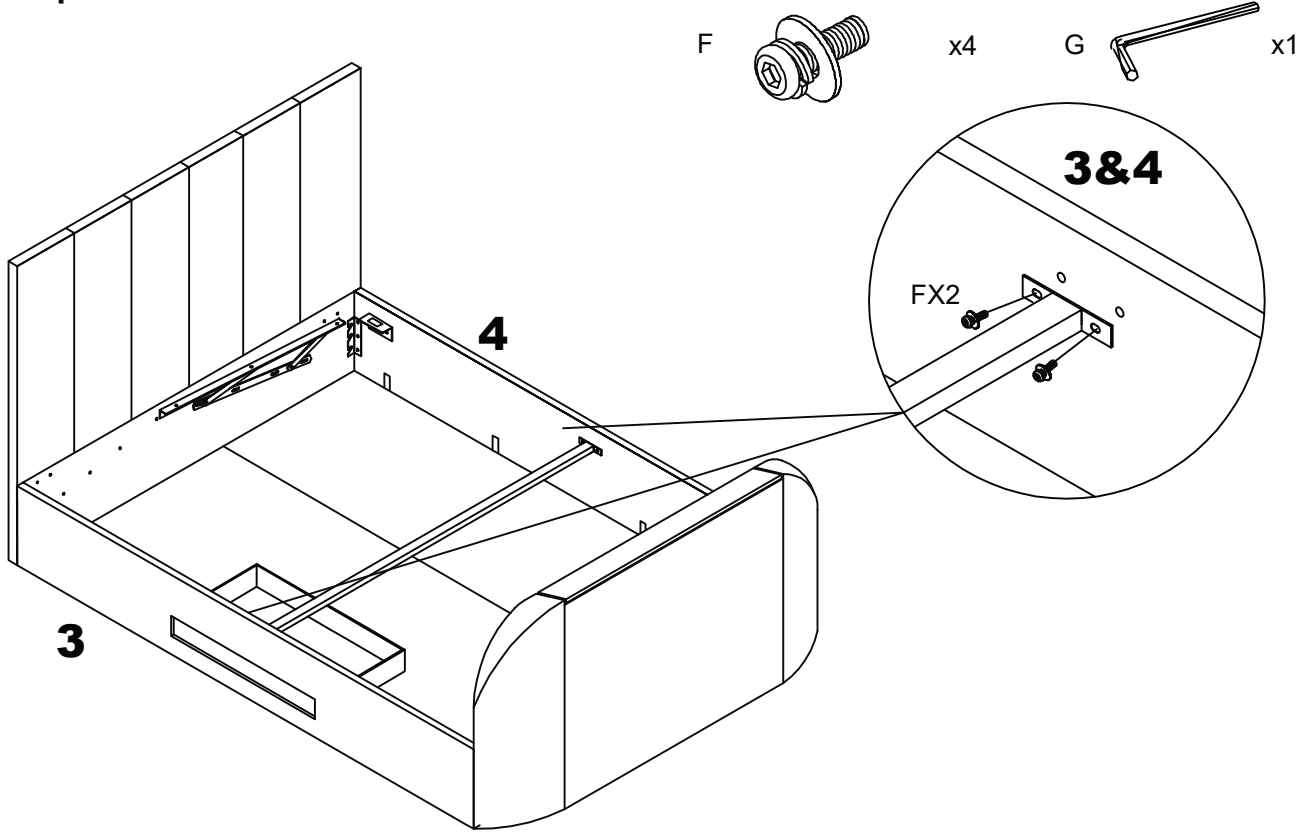


Step 13

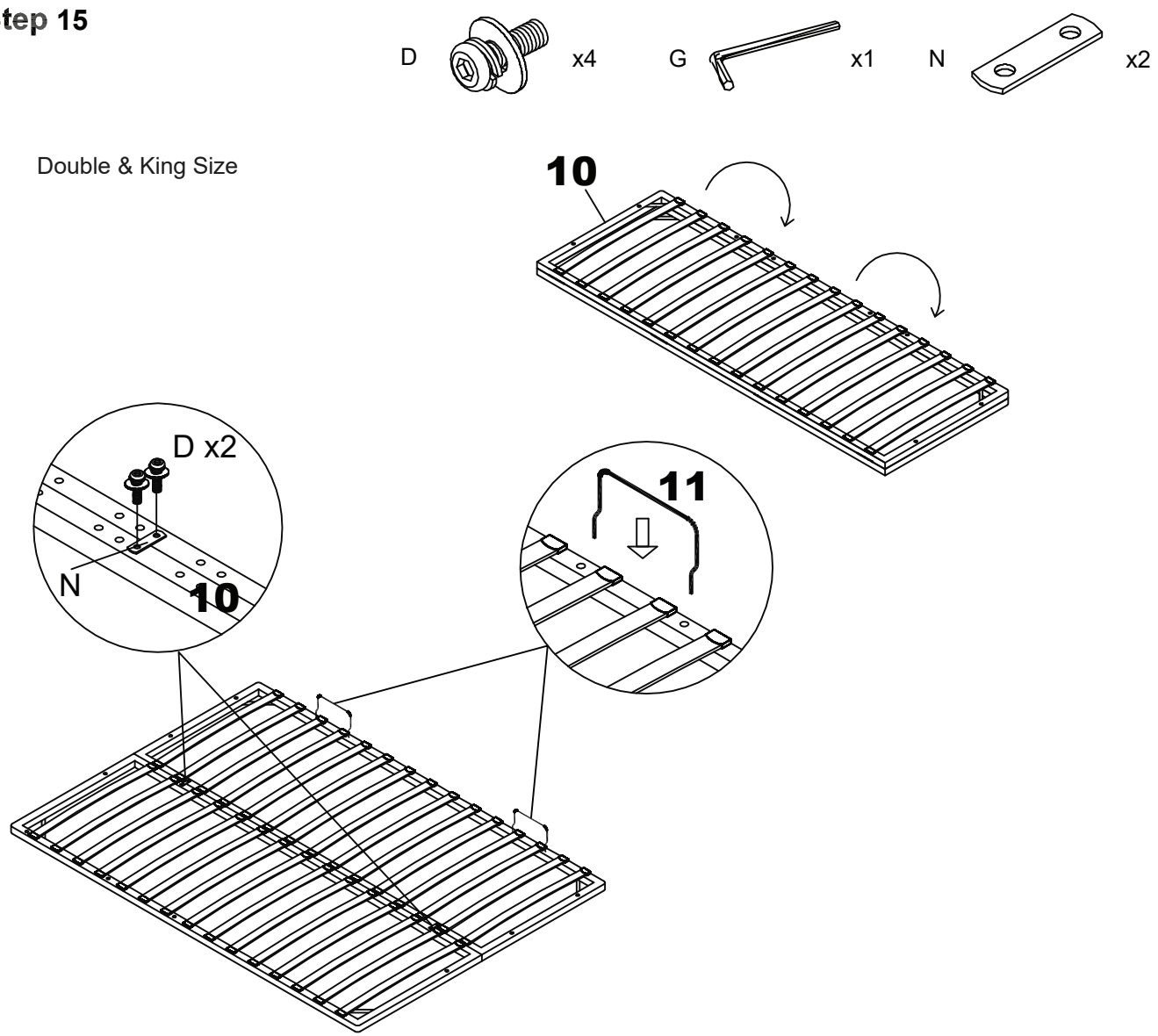
D  x4 H  x1



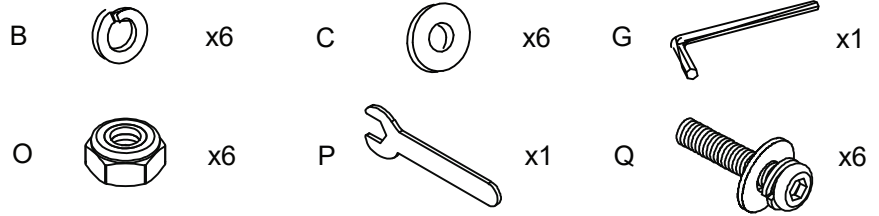
Step 14



Step 15



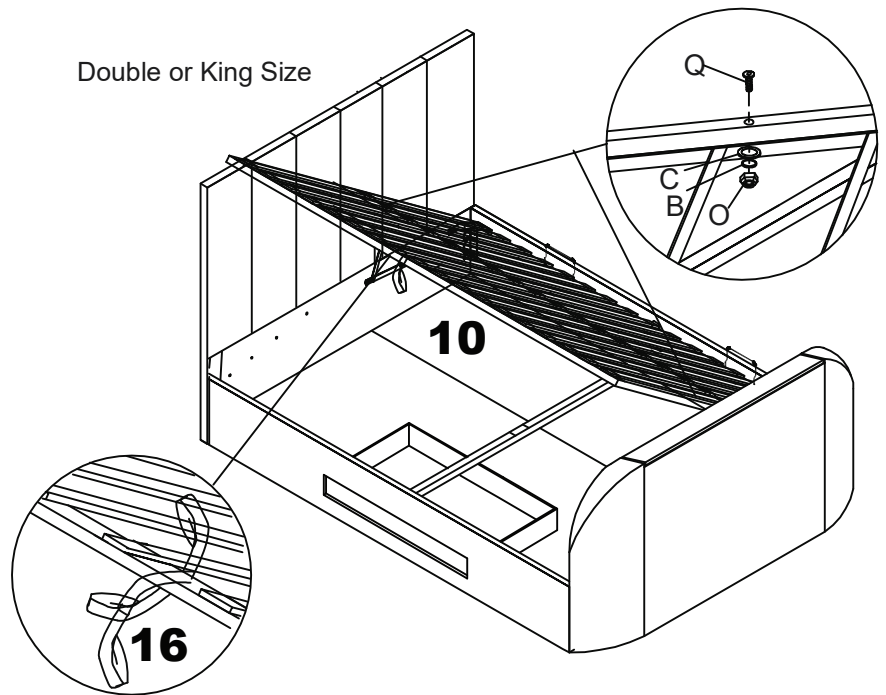
Step 16a



LIFT FROM LEFT SIDE

**MAKE SURE THE MATTRESS STOPPERS AND HAND STRAP
ARE ON THE CORRECT SIDE OF THE BED AS SHOWN**

Fit the bolt sets but please
do not tighten fully yet.

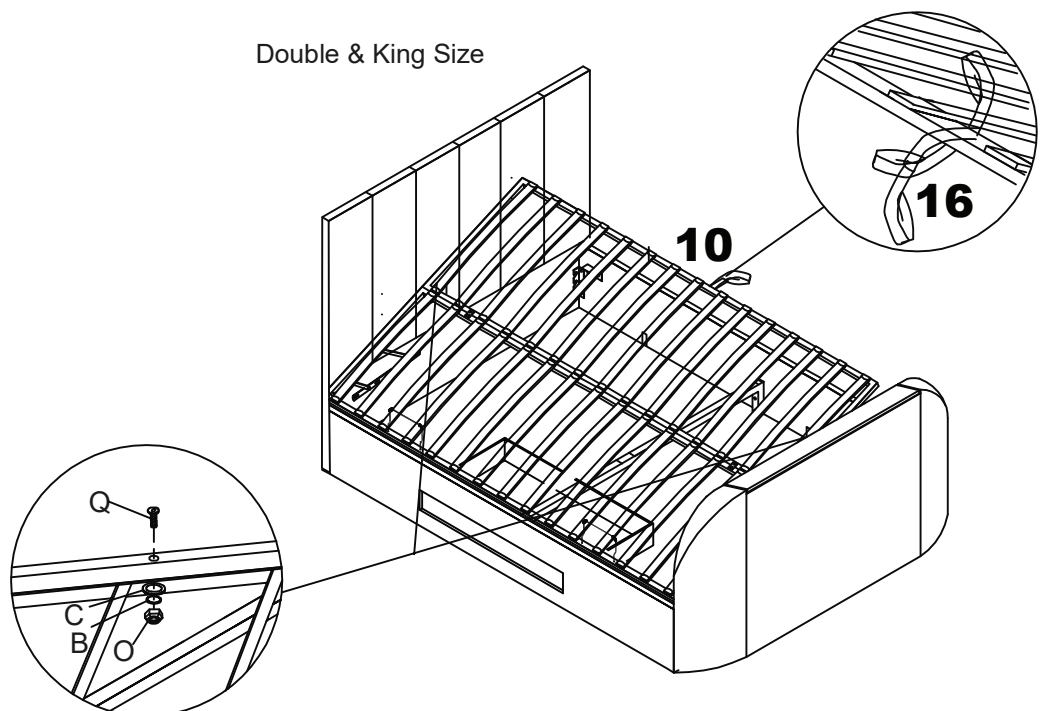


Step 16b

LIFT FROM RIGHT SIDE

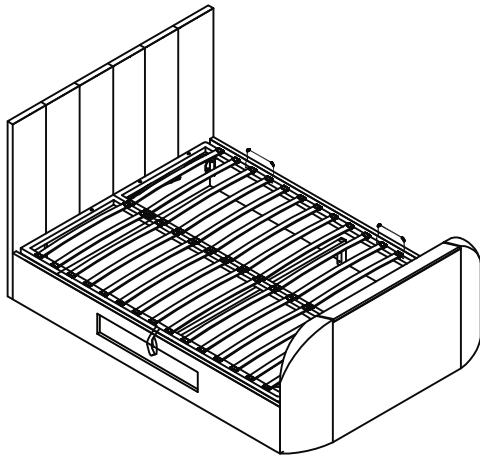
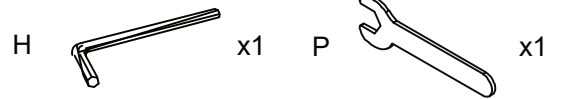
**MAKE SURE THE MATTRESS STOPPERS AND HAND STRAP
ARE ON THE CORRECT SIDE OF THE BED AS SHOWN**

Double & King Size



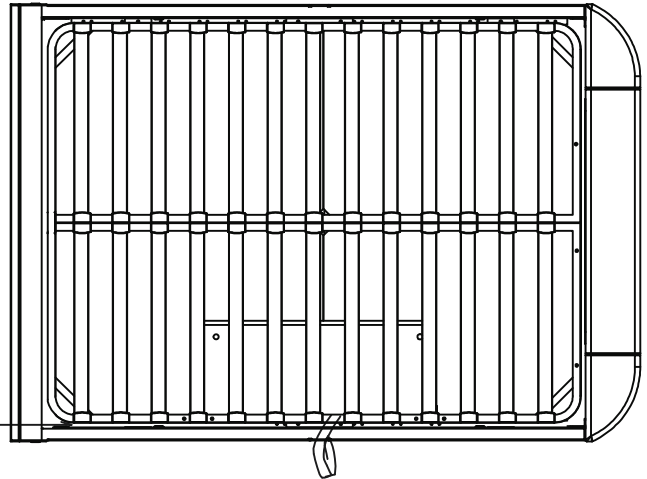
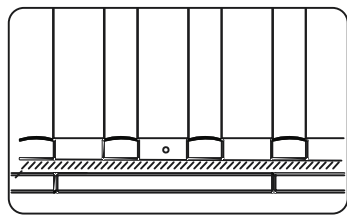
Fit the bolt sets
but please do not
tighten fully yet.

Step 17

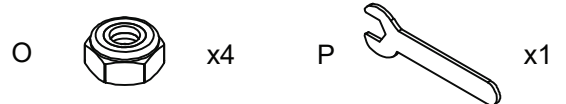


Carefully lay frame down. Make sure there is an even gap each side of about 8 mm, as in the sketch.

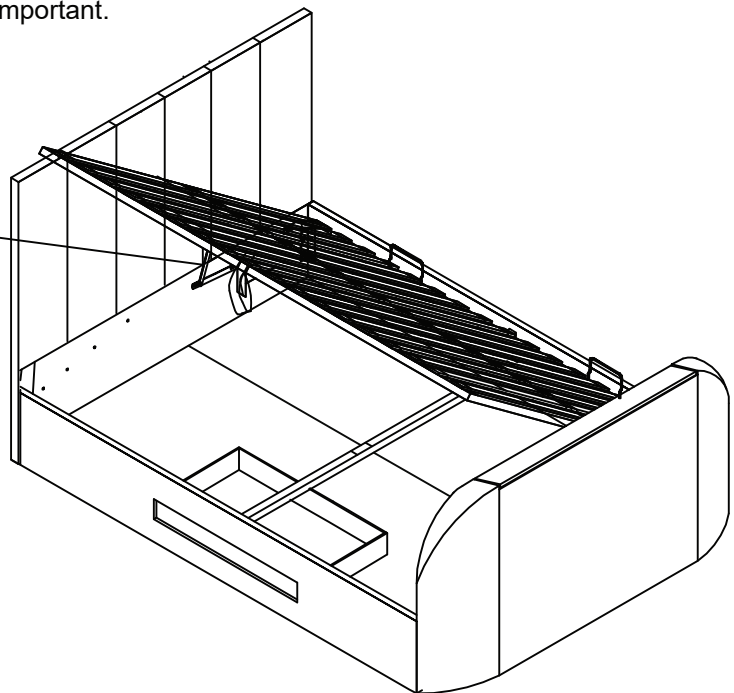
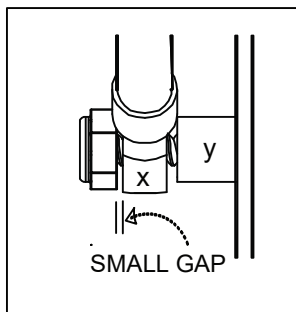
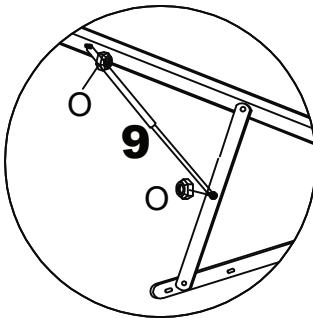
Hold frame securely then tighten all six bolt sets 100% using spanner (P) & Allen key (H).



Step 18



Fit the pistons (9) sliding the stems (x) over the axles (y). Tighten lock nuts (O) with spanner (P) but please DO NOT over-tighten, a small gap needs to be left so stems can move freely - if too tight the frame will be hard to lift so this is important.



Technical Specifications

Max TV Size: 980 x 570 x 85 (WHDmm)

Overall Dimensions (LWH mm)

Double: 2200 x 1430 x 1155

King: 2300x 1580 x 1155

Super King: 2300x 1880 x 1155

Internal Dimensions (LWH mm)

Double: 1930 x 1380 x 250

King: 2030 x 1530 x 250

Super King: 2030 x 1830 x 250

Distance between slats (mm)

Double: 72

King & Super King: 70

Slat Dimensions (mm)

Double: 670 x 53 x 9

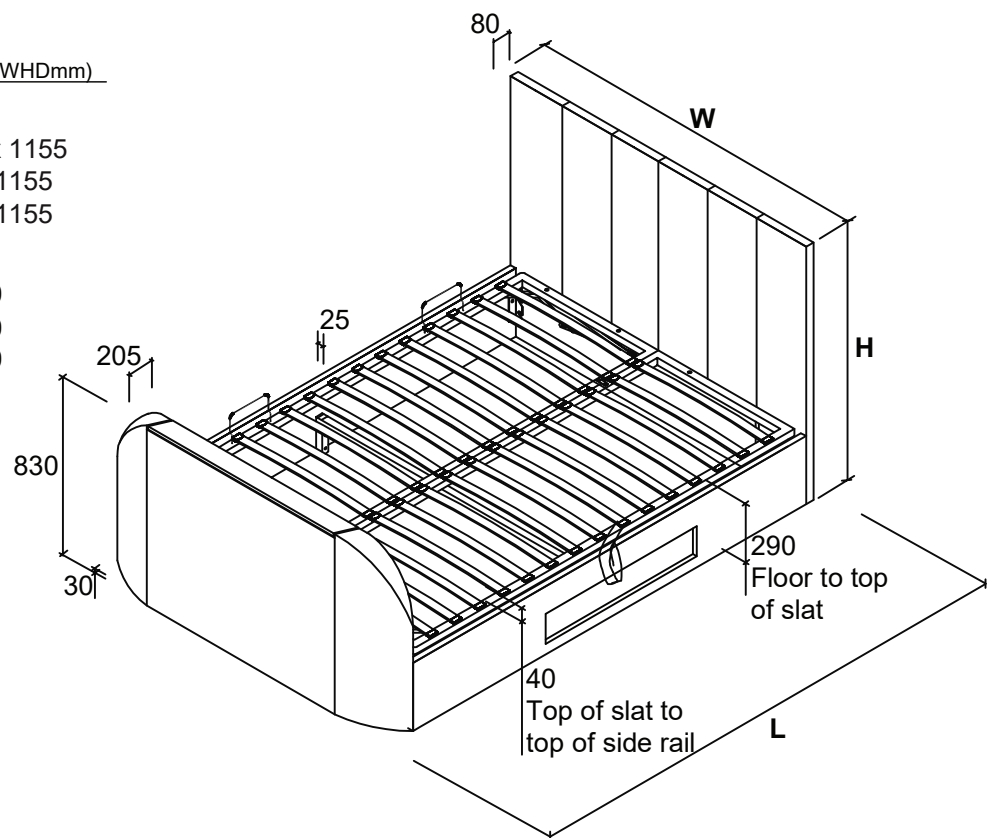
King: 745 x 53 x 9

Super King: 595 x 53 x 9

Ottoman Piston Rating

Double & King: 800N

Super King: 900N



IMPORTANT POWER INFORMATION

Before fixing the mattress baseboards to the bed, please follow the instructions below:

Plug in the main power supply lead supplied with your bed; this is packed inside the TV footboard Pack 2.

It is essential that this power lead is connected to an earthed socket be it a wall socket or extension lead - otherwise there is risk of damage or even electric-shock.

The wall socket providing the power must be accessible at all times in case you need to switch off the electric supply.

Power cable supplied with this bed or other approved mains powered extension leads used to power your equipment must not be placed where they can be walked on - this is dangerous and could lead to accidents.

Power outlets, extension leads or adapters must not be overloaded beyond their limit - this can result in fire or electric shock.

During an electrical or lightening storm - disconnect the power completely as a precaution.

Always un-plug the power when going on holiday or when the bed is not used for an extended period.

If you have young children in the home always disconnect the power at the wall socket for extra safety.

Do not interfere with or modify any cables already fitted and do not add any media cables unless they are routed through the ducts as shown. All leads must be tightly connected to back of TV, never hanging loose where they can get trapped.

Never touch moving parts or any part of the equipment - if something needs to be checked, disconnect the power first.

Do not insert anything into the footboard as this could seriously damage the TV and/or the TV lifting equipment and could, if done carelessly, cause serious damage or injury.

If the equipment doesn't operate normally or if there is any unusual noises, disconnect the power and contact your retailer for advice.

TELEVISION INFORMATION

Please follow the assembly steps for initial operation of the TV Lift, your TV and any media cables required.

Push the television power plug (supplied with your own TV), into it's own special socket which is on the face of the footboard clearly shown in the instructions. For safety and to prevent overheating, this socket is only to be used for the television as it does not have a constant power supply.

Raise the TV Lift by pressing the UP button of the remote control.

If required you can connect media cables the television ports.

Please use the cable clips & cable ties to make certain there are no loose wires to snag or get trapped.

The television can now be operated following the TV User Guide.

When finished viewing, lower the television back into the footboard by pressing the DOWN button of the remote control.

For safety and to stop any overheating, power to the television is switched off when lift reaches the bottom rest position.

When the UP button is pressed - the TV Lifting Column rises and power is turned back on automatically.

TROUBLE SHOOTING

- If your equipment does not operate please check all the electrical connections to the wall socket and check that electricity is reaching the main power input plug bringing power to the footboard.
- Make sure that the TV is switched on - but note that the television will only work when it is in the up position.
- Check that the remote control has not lost its connection with the TV Lift - please see pairing instructions on Page (1).

IMPORTANT: Care should be taken when connecting electrical items. If you are in any doubt about the connections please consult an approved electrician. If you still have a problem please contact your retailer for advice.