

Millie & Jones.

Assembly Guide

Before Assembly

- Check Parts - Unpack and ensure all parts are included and undamaged.
- Read Instructions - Review the guide fully before starting.
- Prepare the Space - Clear the area and assemble on a soft surface to prevent damage.
- Gather Tools - Use only the recommended tools.
- Get Help - Larger items may require two people.

Health & Safety

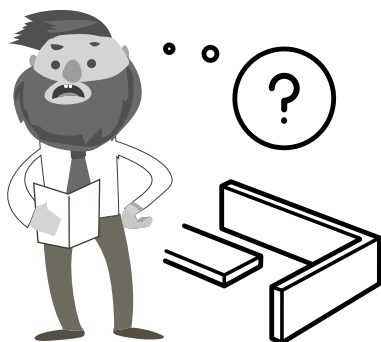
- Keep Kids & Pets Away - Ensure a safe workspace.
- Lift Safely - Avoid strain; lift with care or get assistance.
- Wear Protection - Gloves help prevent injuries.
- Secure Loose Clothing - Avoid anything that could get caught.
- Handle Small Parts Carefully - Keep screws and fittings away from children.
- Dispose of Packaging Safely - Recycle and keep plastic bags out of reach.



This product or some parts of this product will be heavy. Please use an assistant when lifting.

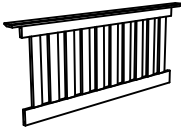

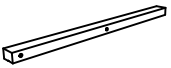
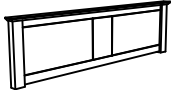
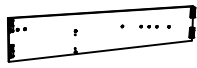
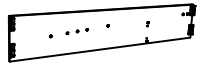
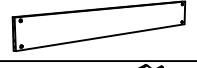

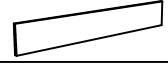
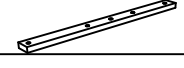
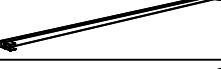




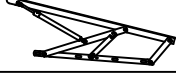
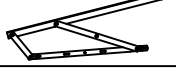
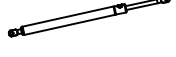
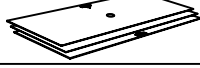
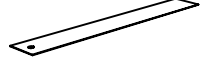












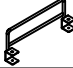





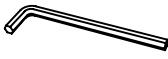




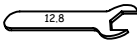
Never drag or push the pieces across a hard or stone floor as this will cause damage to the joints. Use a carpet or a rug for extra care.





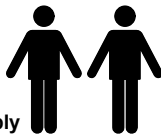
If you have problems assembling or have damaged or missing pieces, please contact our customer services (details at the back of these instructions)

Parts List

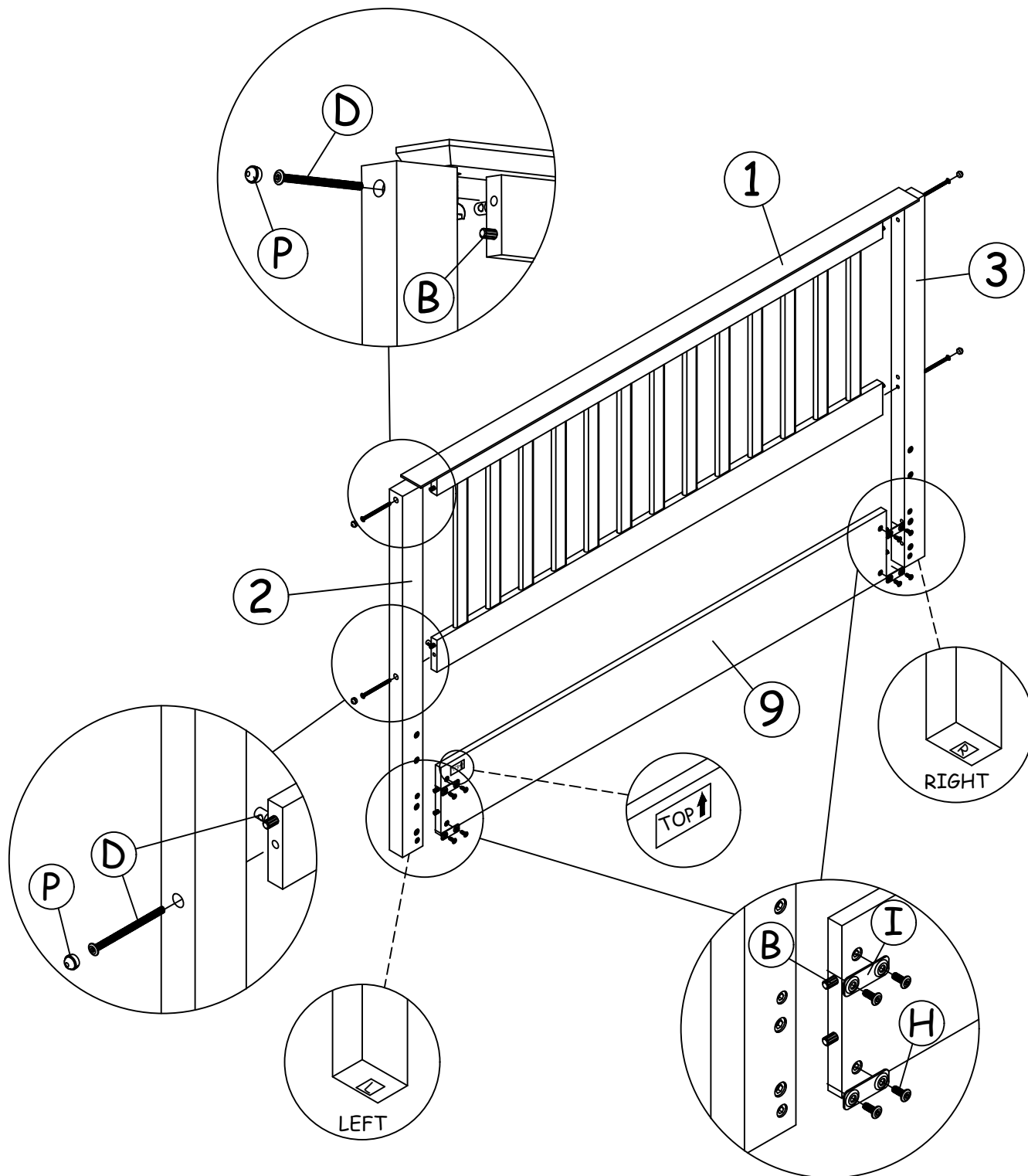
Parts	Description	Qty	Box
1	Headboard Frame 	1	1 / 4
2	Left Wooden Post 	1	2 / 4
3	Right Wooden Post 	1	
4	Footboard 	1	1 / 4
5	Left Side Rail 	1	4 / 4
6	Right Side Rail 	1	
7	Centre Storage Panel 1 	1	
8	Centre Storage Panel 2 	1	
9	Back Storage Panel 	1	
10	Hydraulic Arm Spacer 	2	3 / 4
11	Side Metal Bar 	2	
12	End Metal Bar (HEADBOARD) 	1	
13	End Metal Bar (FOOTBOARD) 	1	
14	Center Metal Bar 	1	
15	Slat 	28	
16	Left Hydraulic Base Support c/w Pump Stopper 	1	
17	Right Hydraulic Base Support 	1	
18	Hydraulic Base Pump 	2	1 / 4
19	Bottom Base Panel - Big 	3	
20	Bottom Base Panel - Small 	1	

Hardware List (Found in box #)			
Parts	Description	Qty	Box
A	Mini Fix 	8	3 / 4
B	8 x 30 mm Wooden Dowel 	16	
C	Metal Corner Block 	2	
D	M6 x 90 mm RBW + Barrel Nut 	4	
E	M8 x 25 mm JCBB Bolt RBW 	16	
F	M8 x 15 mm JCBB Bolt RBW 	8	
G	M8 x 35 mm JCBB Bolt (BLACK) 	10	
H	M6 x 15 mm JCBC Bolt RBW 	8	
I	Bracket 20mm x 58mm 	4	
J	Base Handle (HEADBOARD) 	1	
K	Base Handle (FOOTBOARD) 	1	
L	M6 x 40 mm JCBC Bolt BLK 	14	
M	M8 x 45 mm JCBB Bolt RBW with Nut Bracket, Spring & Flat Washer 	6	
N	Single Slat Cap 	28	
O	Double Slat Cap 	14	
P	Wooden Button 	4	
Q	M4 Allen Key 	1	3 / 4
R	M5 Allen Key 	1	
S	Flat Washer BLK 	8	
T	Nut Bracket 	4	
U	Self adhesive 4mm X 35mm 	2	
V	M12.8 Spanner 	1	

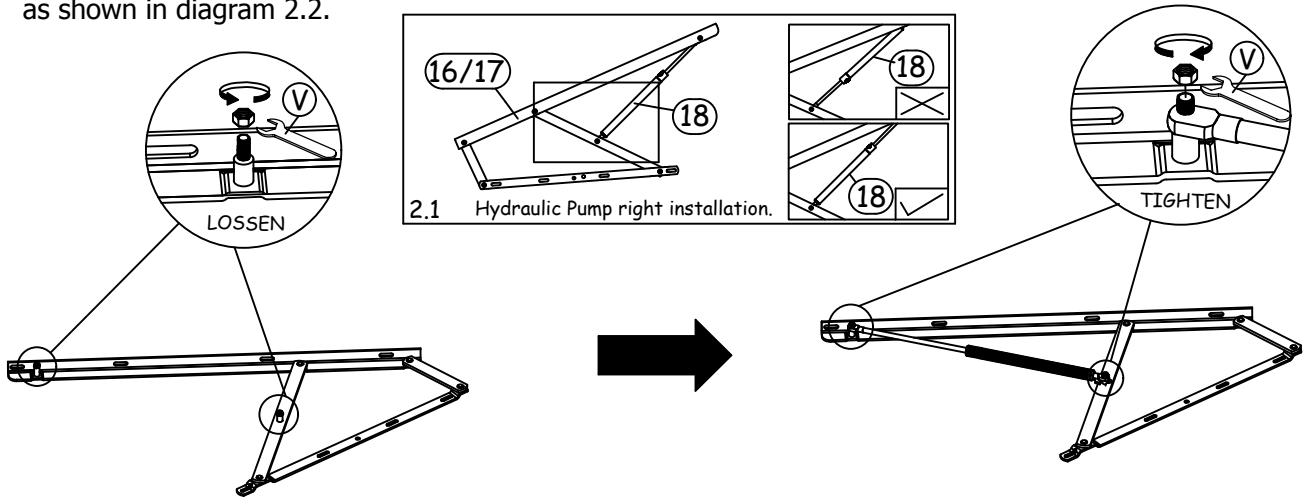
** You will also need a screwdriver and small mallet (not provided).

	Rubber or Wood Hammer 	
NOT PROVIDED	NOT PROVIDED	

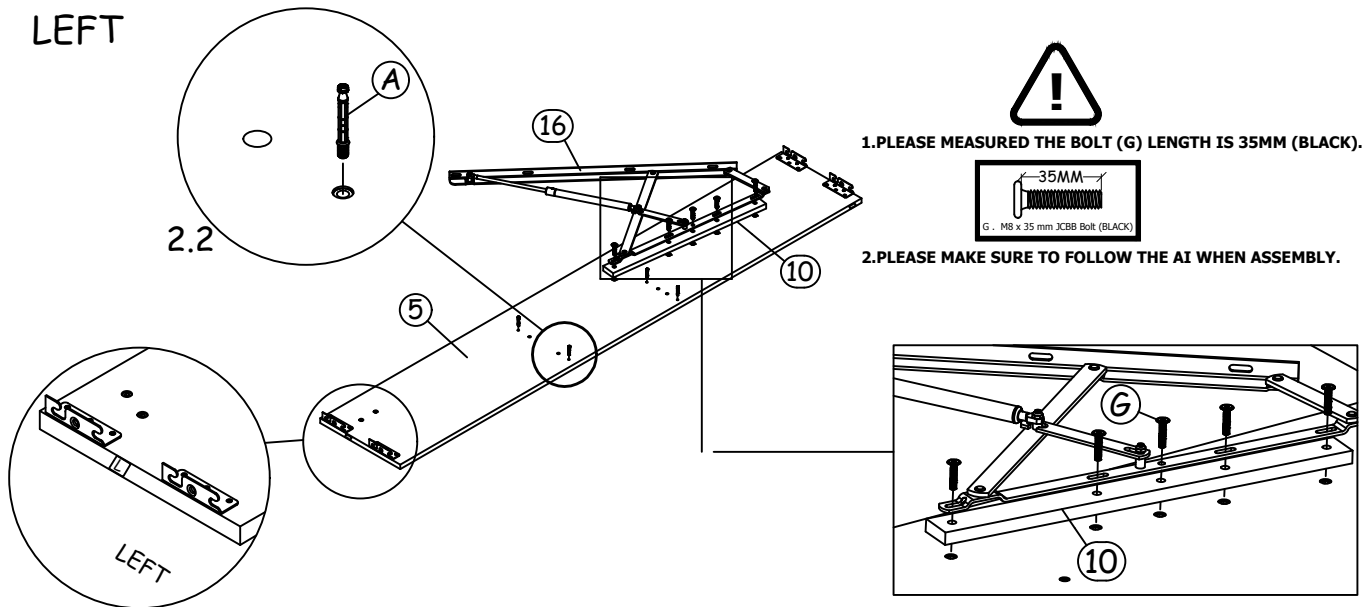
Step 1: Attach the headboard frame (1) and back storage panel (9) to the left wooden post (2) and right wooden post (3). Secure the headboard frame using hardware parts **B**, **D** and **P**, then secure the back storage panel with hardware parts **B**, **H** and **I**.
DO NOT use any power tools as this may damage the frame and will invalidate any claim.



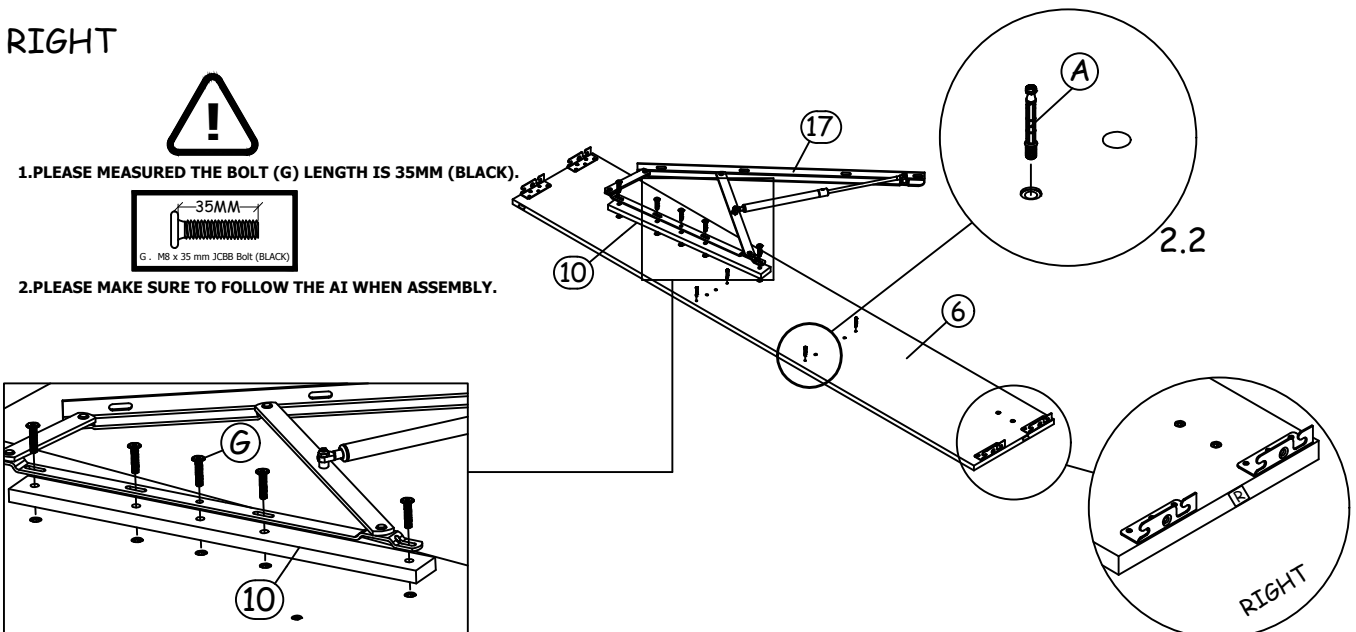
Step 2: Firstly, Loosen the **Hex Nut** from the Left & Right Hydraulic Base Support ,then fix the hydraulic pump to each hydraulic base using the same **Hex Nut & V**. (shown in diagram 2.1.)
 Next, fix the left & right hydraulic spacer together with hydraulic base supporter to the both side rails using bolts **G** and than screw the minifix part **A** to the both side rails as shown in diagram 2.2.



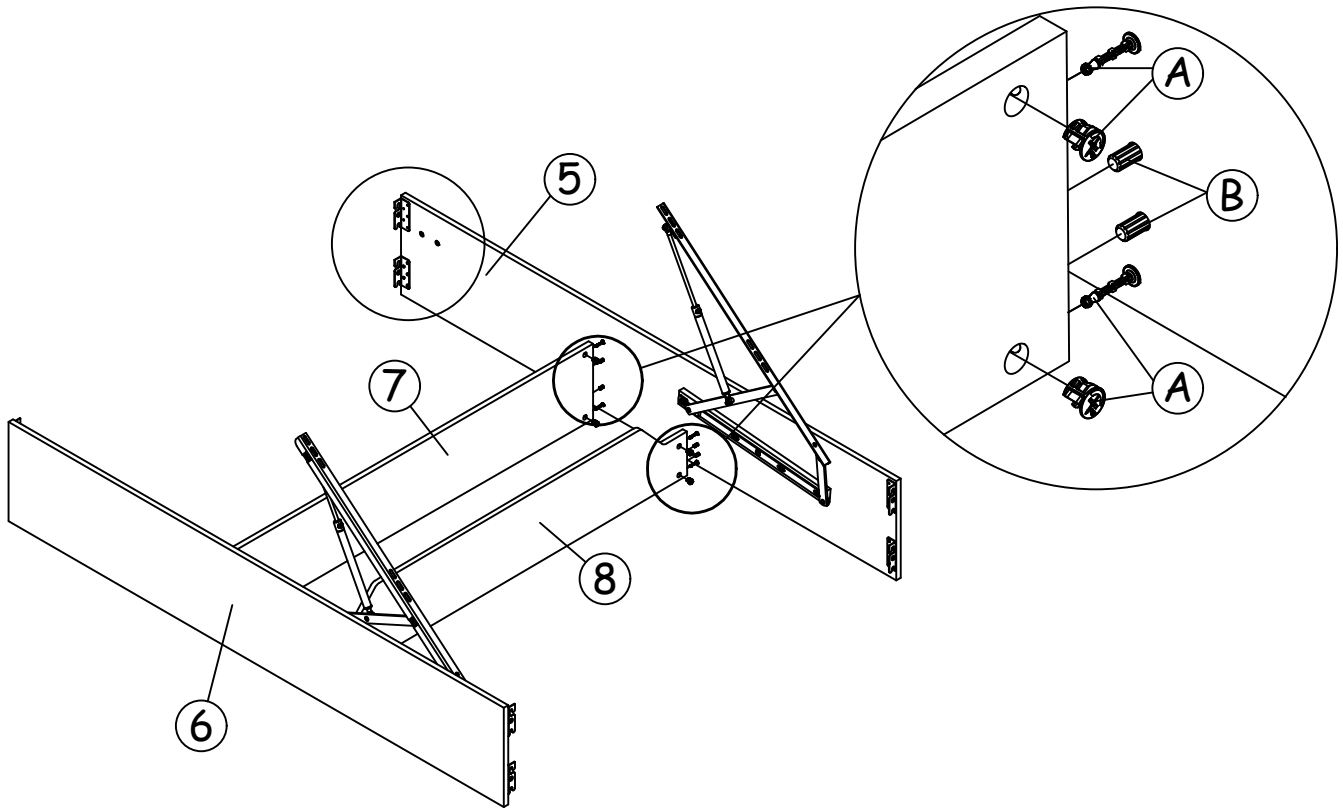
LEFT



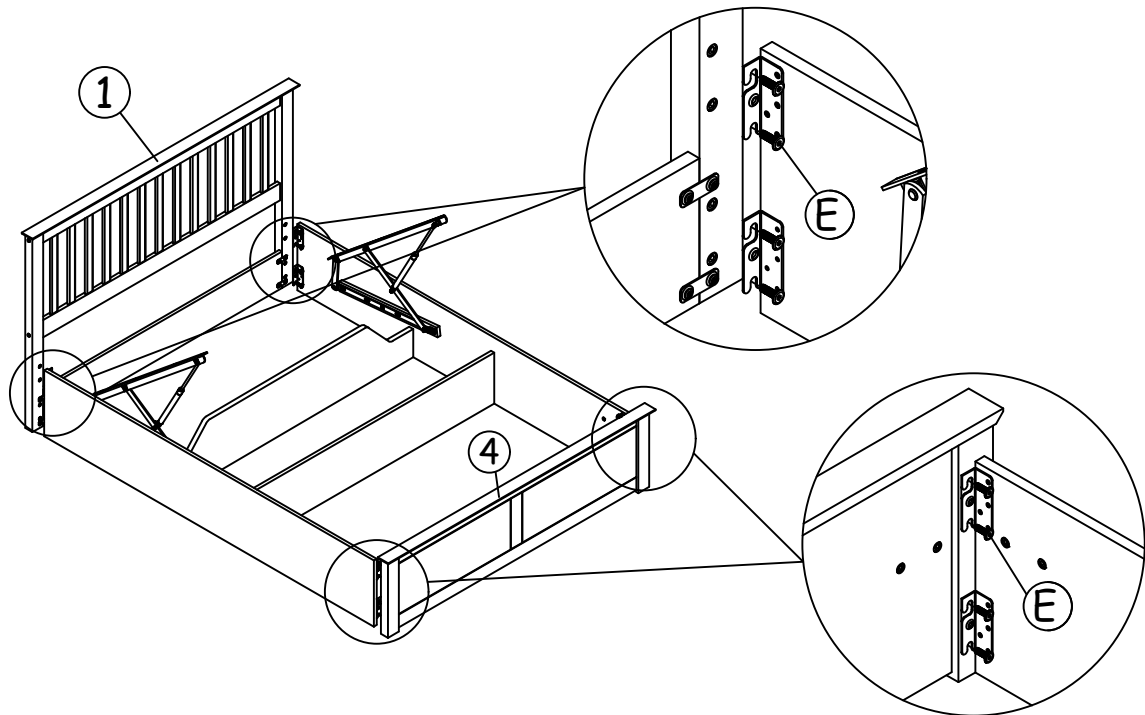
RIGHT



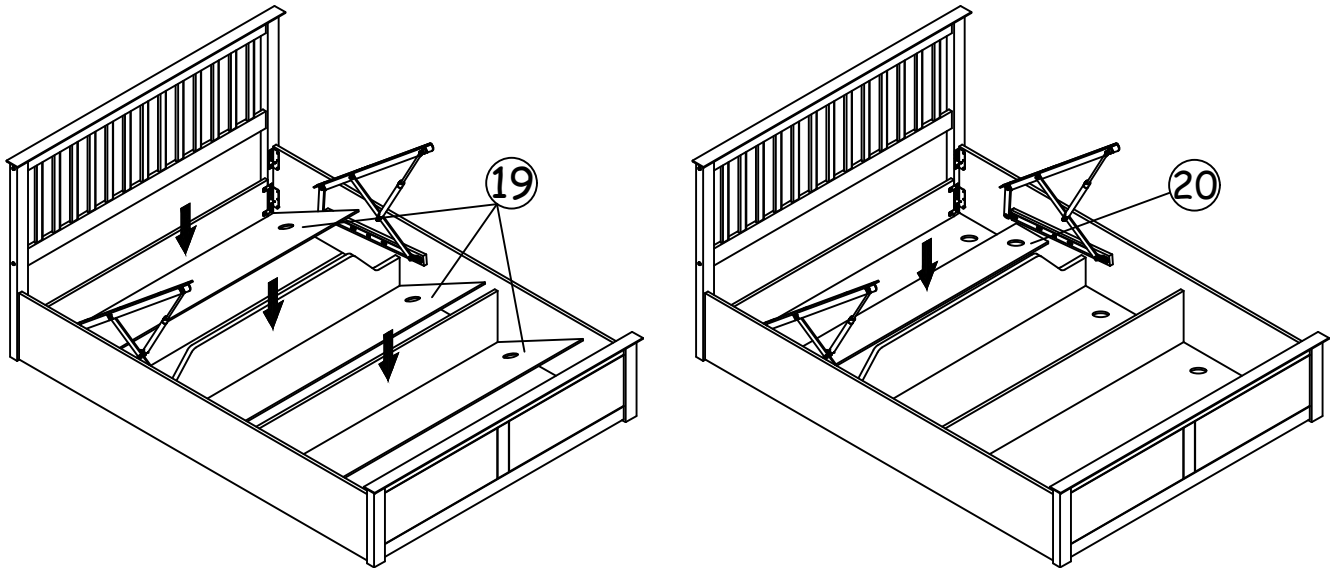
Step 3: Join together the left side rail (5) and right side rail (6) with the centre storage panels ① (7) and centre storage panels ②(8) by using hardware parts **A** and **B**.
DO NOT use any power tools as this may damage the frame and will invalidate any claim.



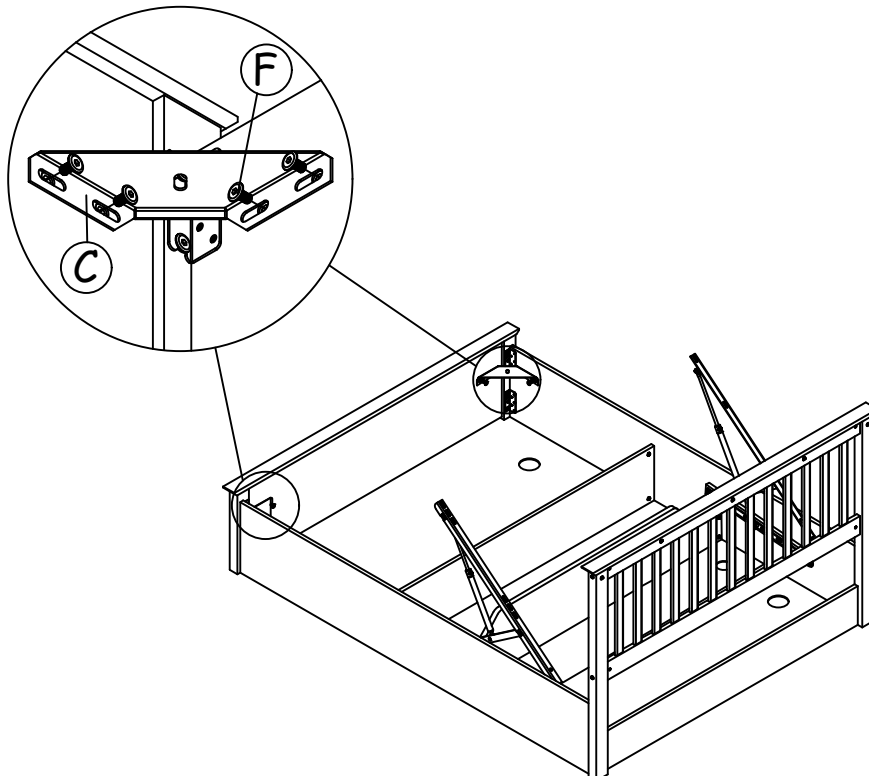
Step 4: Attach the headboard frame (1) and footboard (4) using hardware part **E**.
DO NOT use any power tools as this may damage the frame and will invalidate any claim.



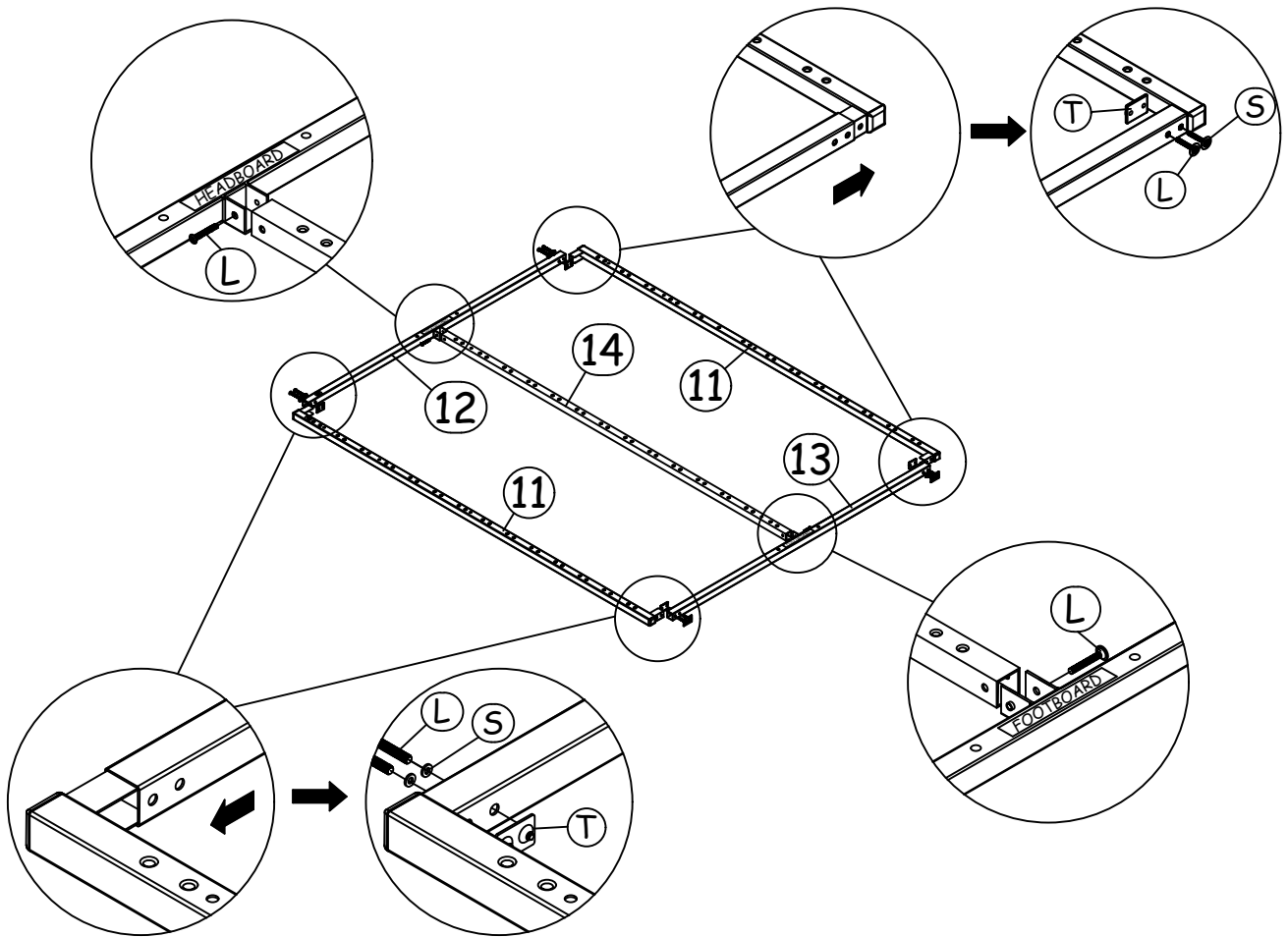
Step 5: Insert the large base panel (19) and small base panel (20) .
DO NOT use any power tools as this may damage the frame and will invalidate any claim.



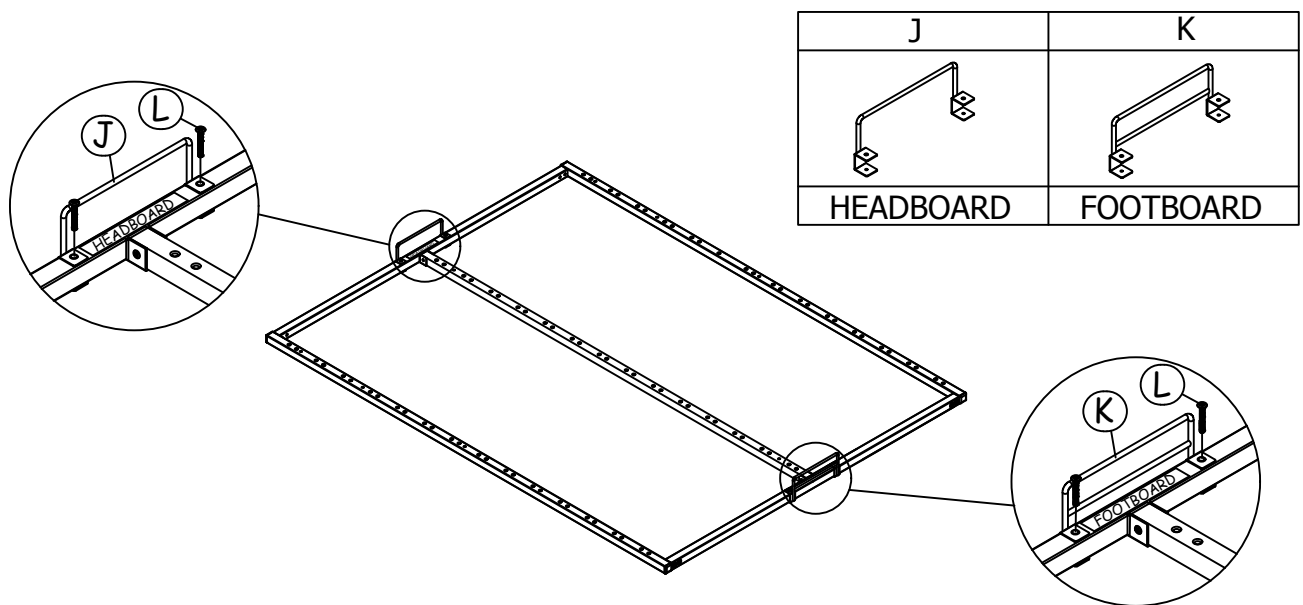
Step 6: Fix metal corner block **C** to the edge of footboard and side rails with bolt **F** as shown.
DO NOT use any power tools as this may damage the frame and will invalidate any claim.



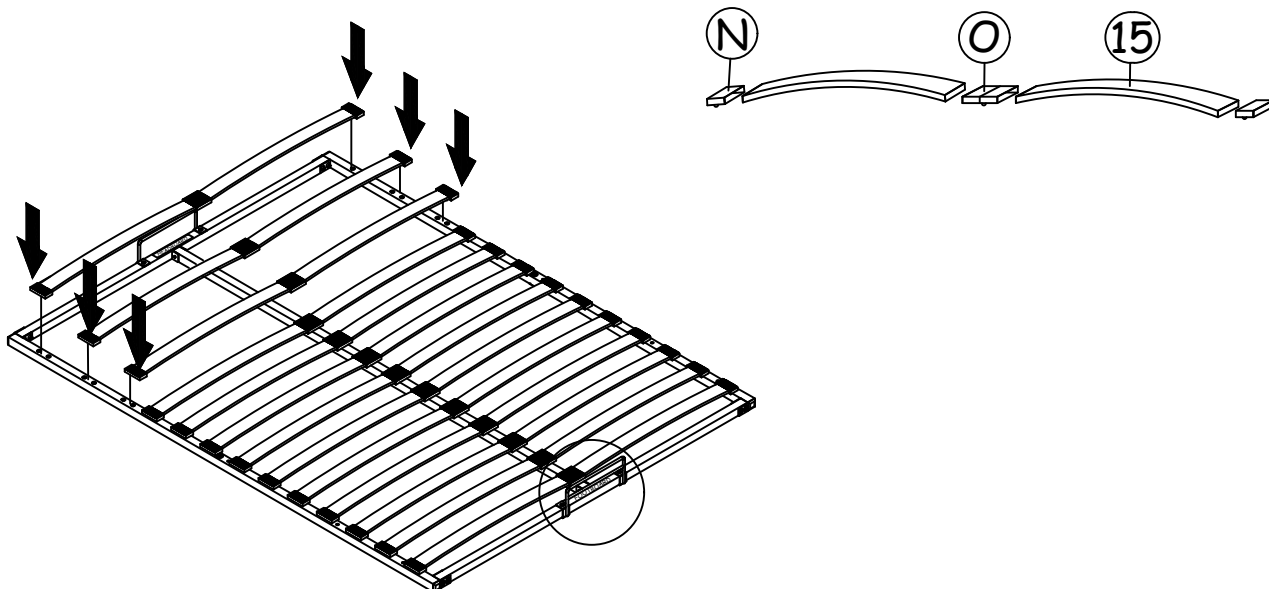
Step 7: Join together all the bed base parts (11),(12),(13) and (14) by using hardware parts **L,S,T**.
Important note: Please assemble follow arrow direction.
 DO NOT use any power tools as this may damage the frame and will invalidate any claim.



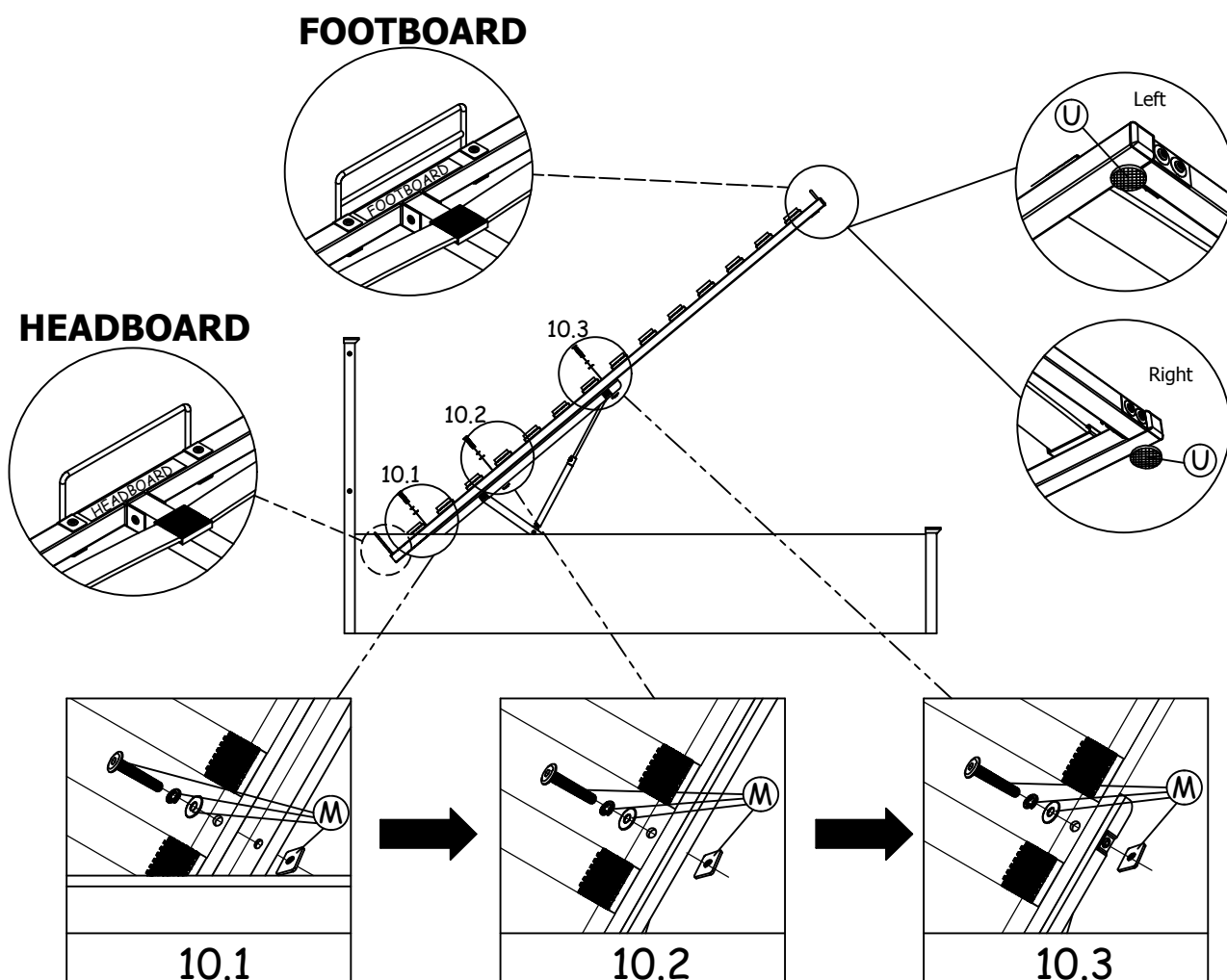
Step 8: Attach hardware parts **J** and **K** using hardware part **L**.
Important note: Please assemble follow arrow direction.
 DO NOT use any power tools as this may damage the frame and will invalidate any claim.



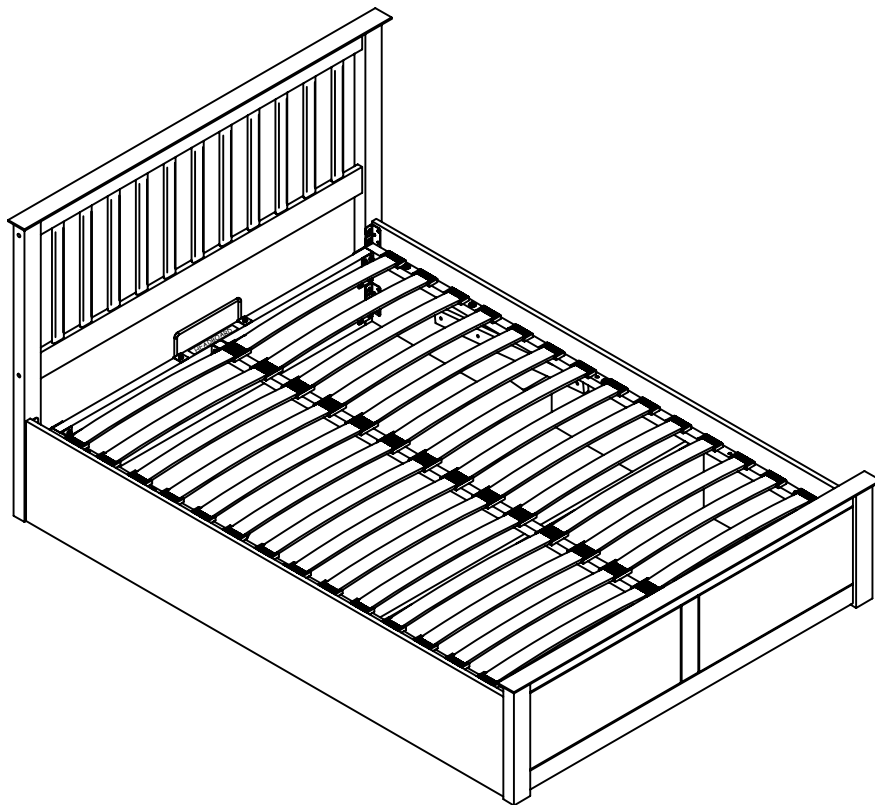
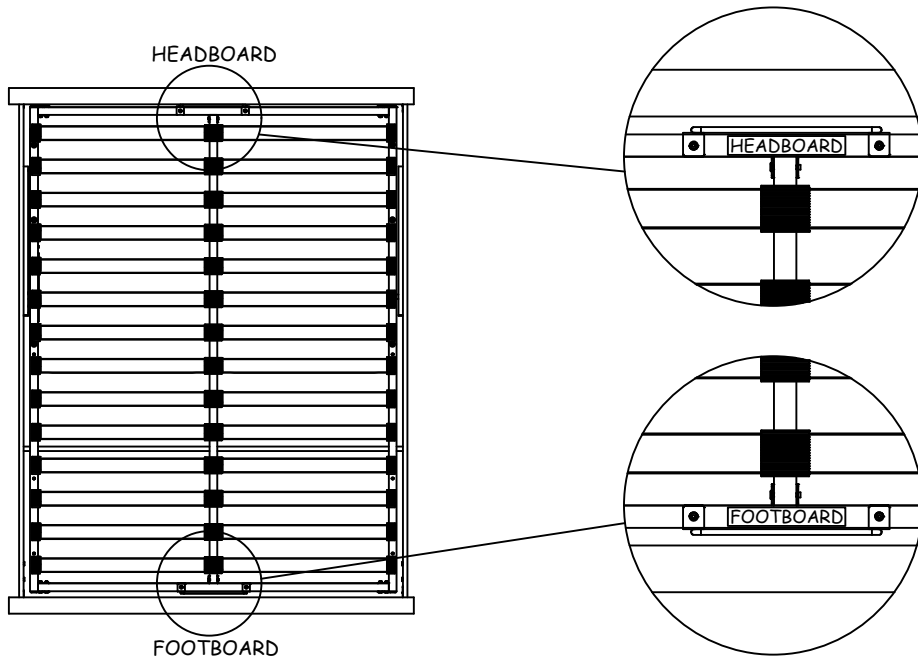
Step 9: Insert the slats (15) to hardware parts **N** and **O** then press into the base making sure they are secure.
 DO NOT use any power tools as this may damage the frame and will invalidate any claim.



Step 10: Assemble the bed base on the right & left hydraulic frame and fix bolts **M** starting from ' 10.1 ' to 10.3 ' as shown and stick it the self adhesive **U** as shown.
 Important note : **Do not tighten the bolts yet!**, and this assemble must be done by two persons.



Step 11: Tighten all bolts and screws now. Top view of assembly bed.
DO NOT use any power tools as this may damage the frame and will invalidate any claim.

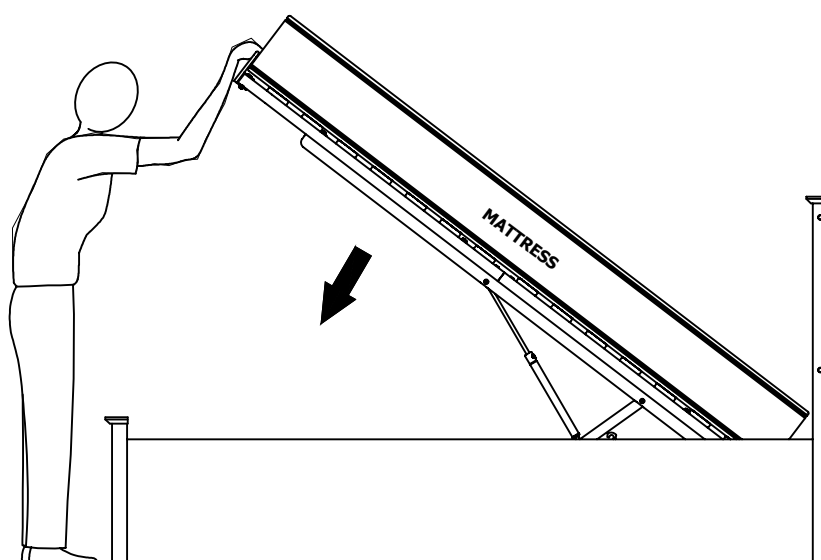


IMPORTANT NOTE

WHEN THE BED IS BUILT AND THE MATTRESS FRAME IS AT 45 DEGREE ANGLE PLEASE PLACE THE MATTRESS ON THE BED.

PLEASE NOTE THAT THE WEIGHT OF THE MATTRESS IS REQUIRED TO HELP CLOSE THE BED.

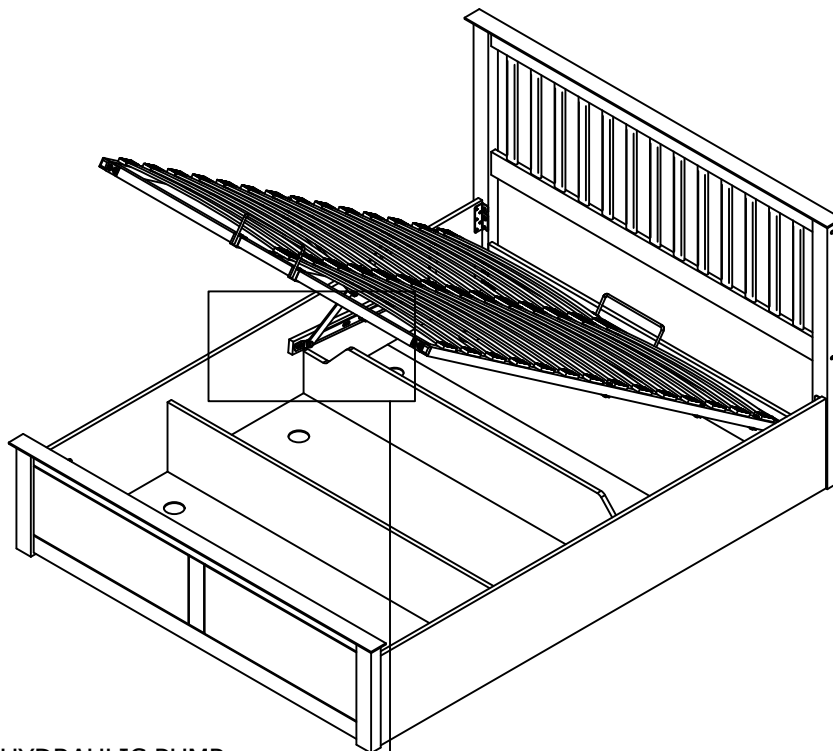
TO LOWER THE SLEEPING PLATFORM STAND AT THE FOOT END OF THE BED AND PUSH SHARPLY DOWNWARDS USING BOTH HANDS.



WARNING: Take care when assembling the base. Assemble the ottoman as closed to its final position. The Ottoman has a powerful, mechanism and after assembly should only be opened when the mattress is in place.

CAUTION :

PLEASE USE HYDRAULIC PUMP STOPPER FOR SAFETY PURPOSE.



HYDRAULIC PUMP
STOPPER

