

Millie & Jones.

Assembly Guide

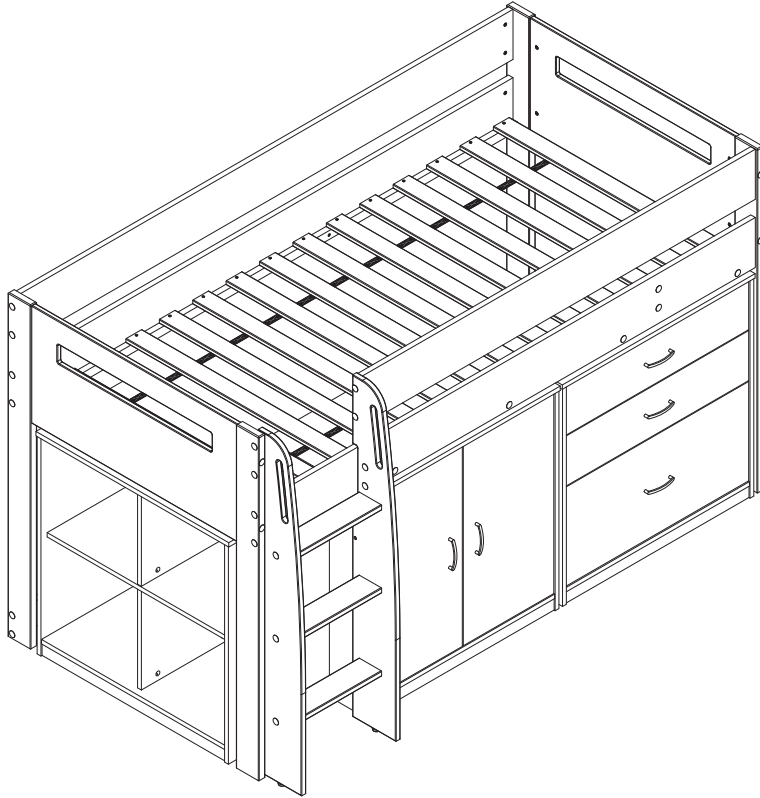
Before Assembly

- Check Parts - Unpack and ensure all parts are included and undamaged.
- Read Instructions - Review the guide fully before starting.
- Prepare the Space - Clear the area and assemble on a soft surface to prevent damage.
- Gather Tools - Use only the recommended tools.
- Get Help - Larger items may require two people.

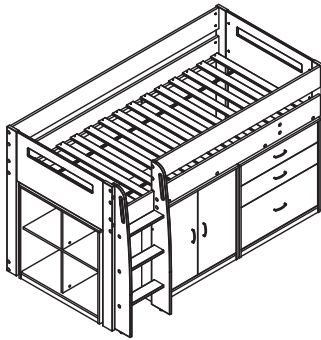
Health & Safety

- Keep Kids & Pets Away - Ensure a safe workspace.
- Lift Safely - Avoid strain; lift with care or get assistance.
- Wear Protection - Gloves help prevent injuries.
- Secure Loose Clothing - Avoid anything that could get caught.
- Handle Small Parts Carefully - Keep screws and fittings away from children.
- Dispose of Packaging Safely - Recycle and keep plastic bags out of reach.

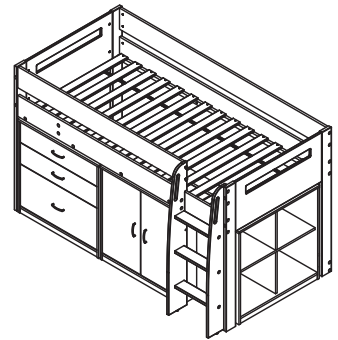
Interchangable Set Up



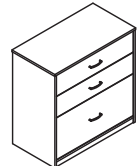
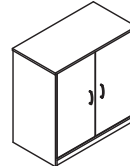
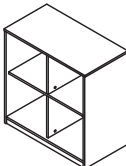
Option 1



Option 2

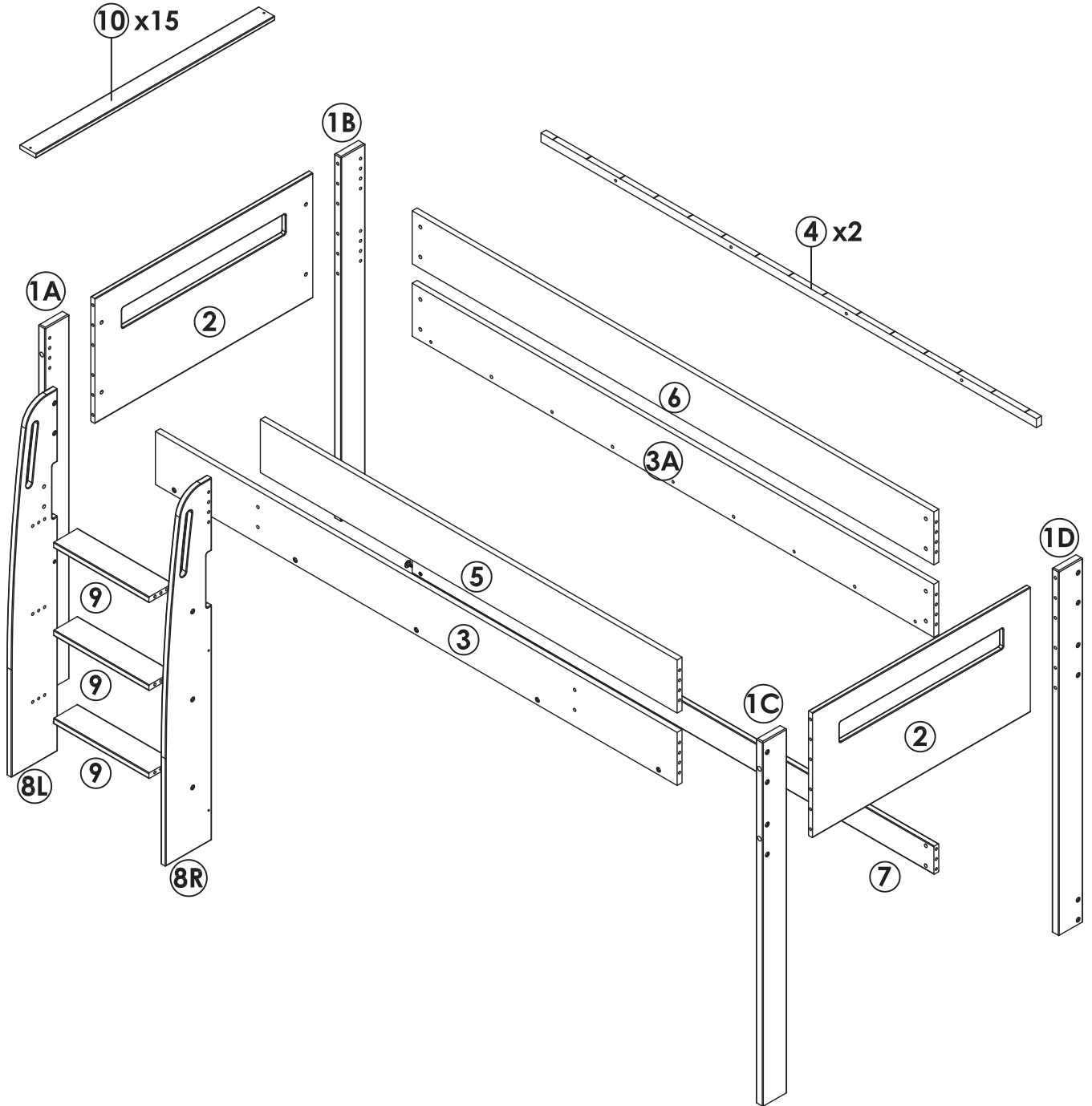


Please make sure the 3 drawer chest / 2 door unit / quad unit have already been assembled prior to building the frame.



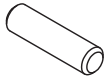
Parts

ALL PARTS ARE LABELLED WITH NUMBER ACCORDINGLY



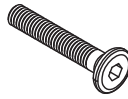
Hardware VP 310

A



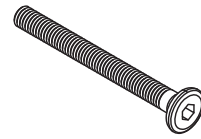
PLASTIC DOWEL (M8 x 30MM)
54 PCS

B



JCBC BOLT (M6 x 35MM)
2 PCS

C



JCBC BOLT (M6 x 60MM)
28 PCS

D



JCBC BOLT (M6 x 110MM)
8 PCS

E



JRN NUT (M6 x 13MM)
36 PCS

F



JCN NUT (M6 x 13MM)
2 PCS

G



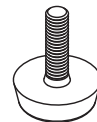
JCBC W SCREW (M7 x 32MM)
10 PCS

H



CSK C/B SCREW (M4 x 32MM)
32 PCS

J



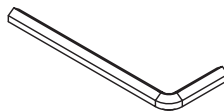
BASE GLIDE L190 (M6 x 23MM)
2 PCS

K



ROUND STICKER (0.5 x 21MM)
54 PCS


L

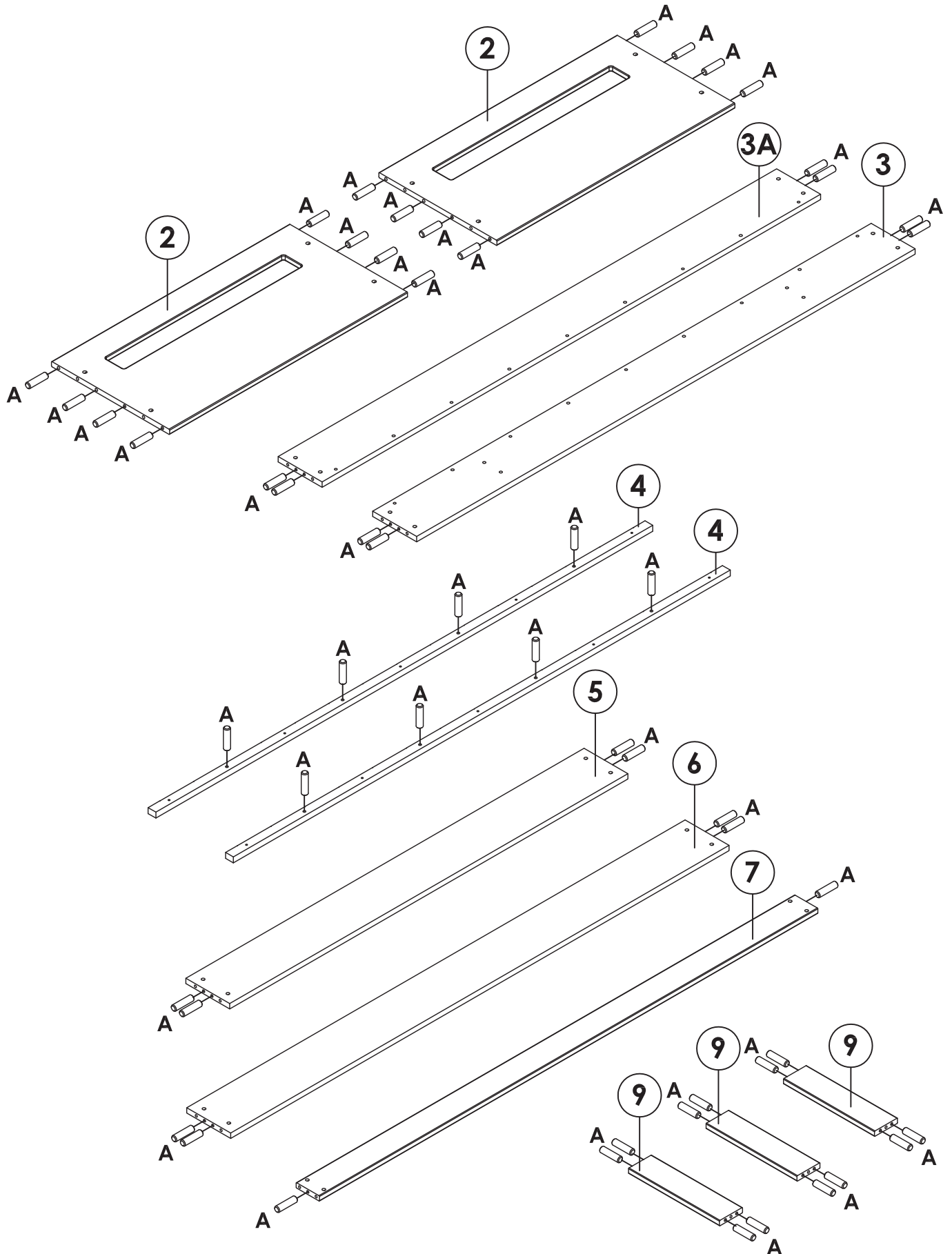


ALLEN KEY (M4 x 60MM)
2 PCS

STEP 1

Insert **(A)** into $\varnothing 8\text{MM}$ holes on **Headboard Panel, Side Rail (Front), Side Rail (Rear), Slat Support, Semi Guard Rail, Full Guard Rail, Bottom Rail and Ladder Slat.**



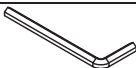
A		54
---	---	----

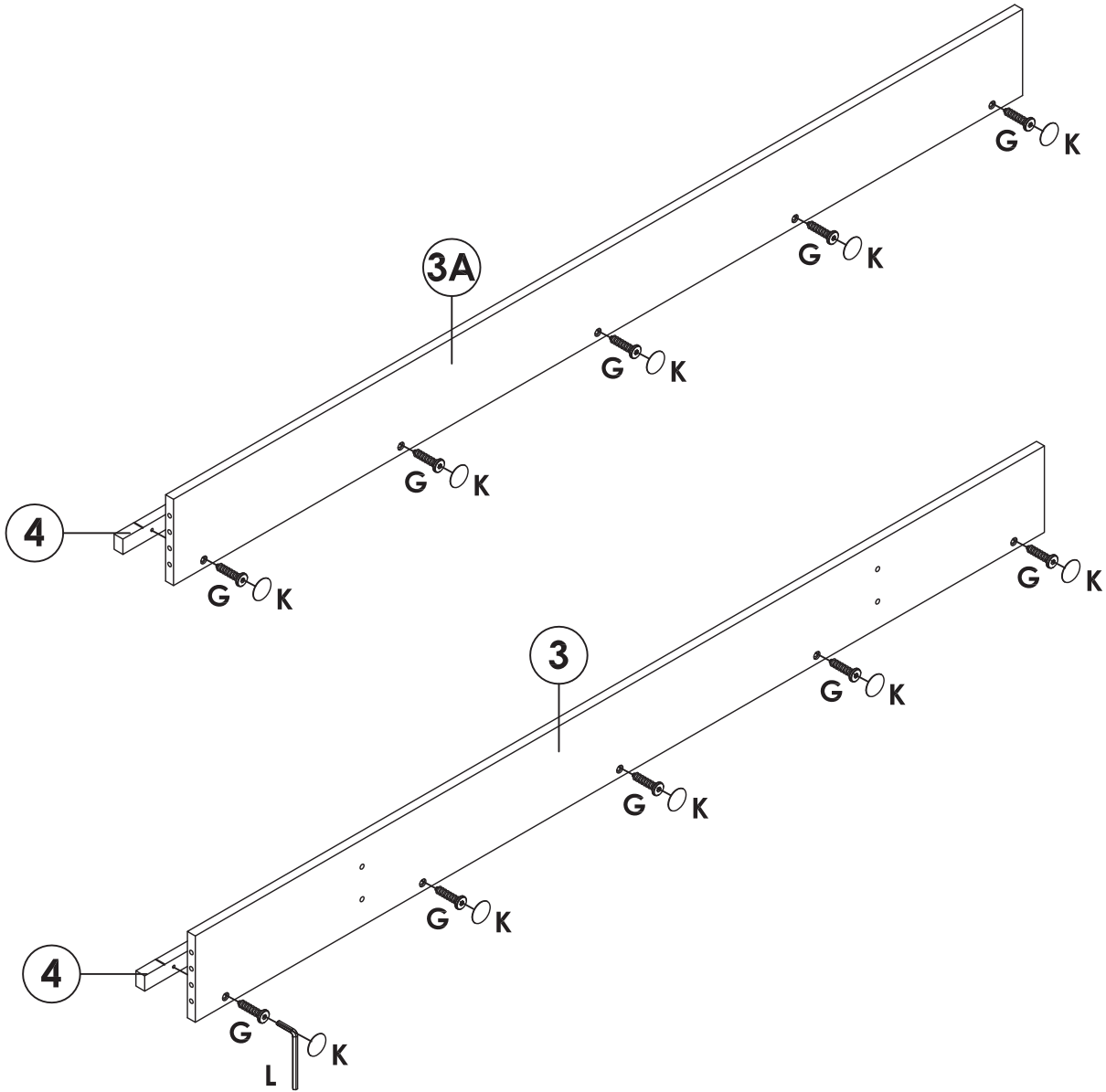


STEP 2

DO NOT use any power tools as this may damage the bed frame and will invalidate any claim.

Attach and secure **Slat Support** onto **Side Rail (Front)** and **Side Rail (Rear)**, by using **(G)**, tighten it up by using **(L)**. Follow it up by attaching **(K)** into screw holes.





G		10
K		10
L		1

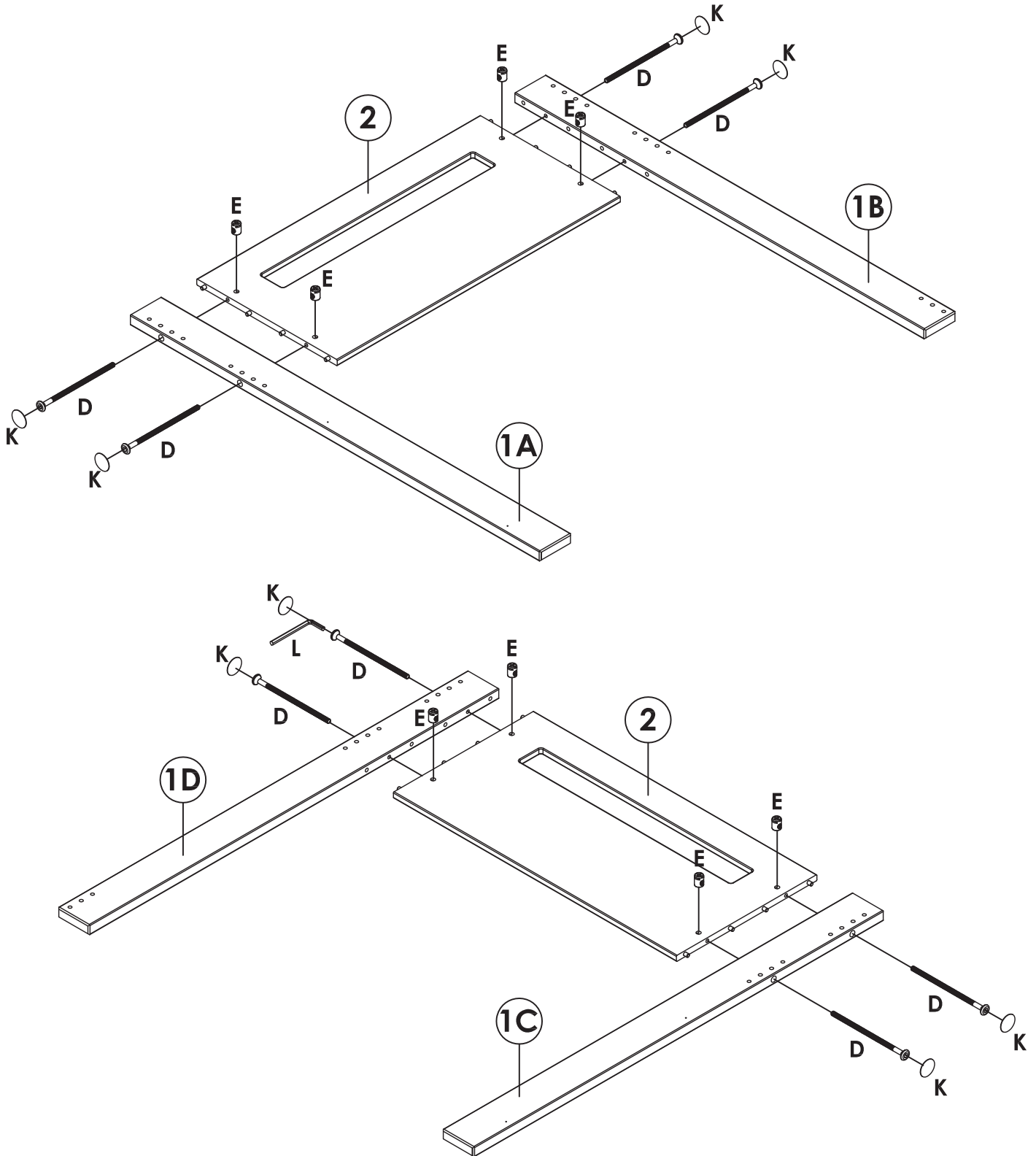


STEP 3

DO NOT use any power tools as this may damage the bed frame and will invalidate any claim.

Attach and secure **Headboard Post (Front Left)**, **Headboard Post (Front Right)**, **Headboard Post (Rear Left)** and **Headboard Post (Rear Right)** onto **Headboard Panel** by using **(D)** and **(E)**, tighten it up by using **(L)**. Follow it up by attaching **(K)** into screw holes.





D		8
E		8
K		8
L		1

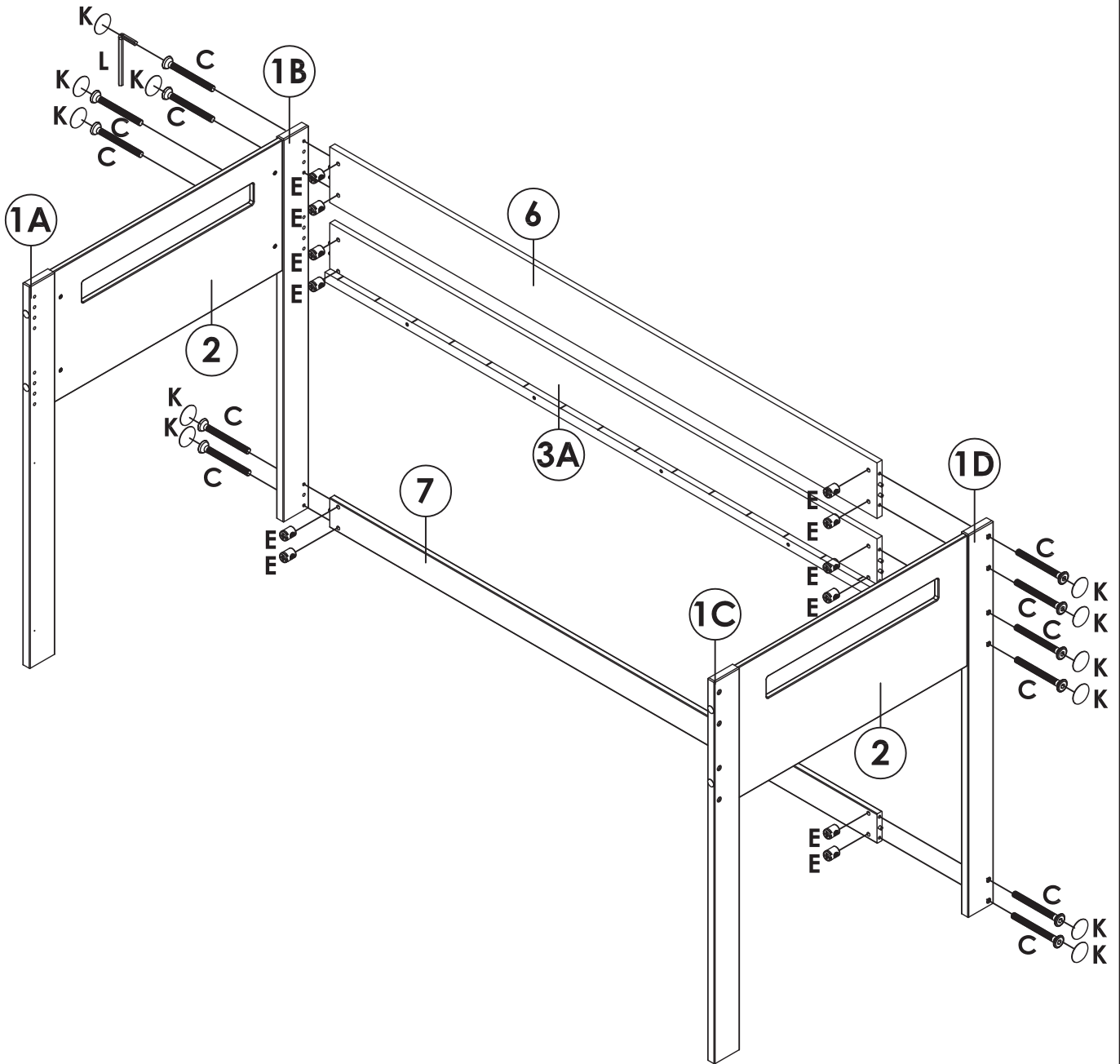


STEP 4

DO NOT use any power tools as this may damage the bed frame and will invalidate any claim.

Attach and secure **Headboard (Left)** and **Headboard (Right)** onto **Side Rail (Rear)**, **Full Guard Rail** and **Bottom Rail**, by using (C) and (E), tighten it up by using (L). Follow it up by attaching (K) into screw holes.

C		12
E		12
K		12
L		1








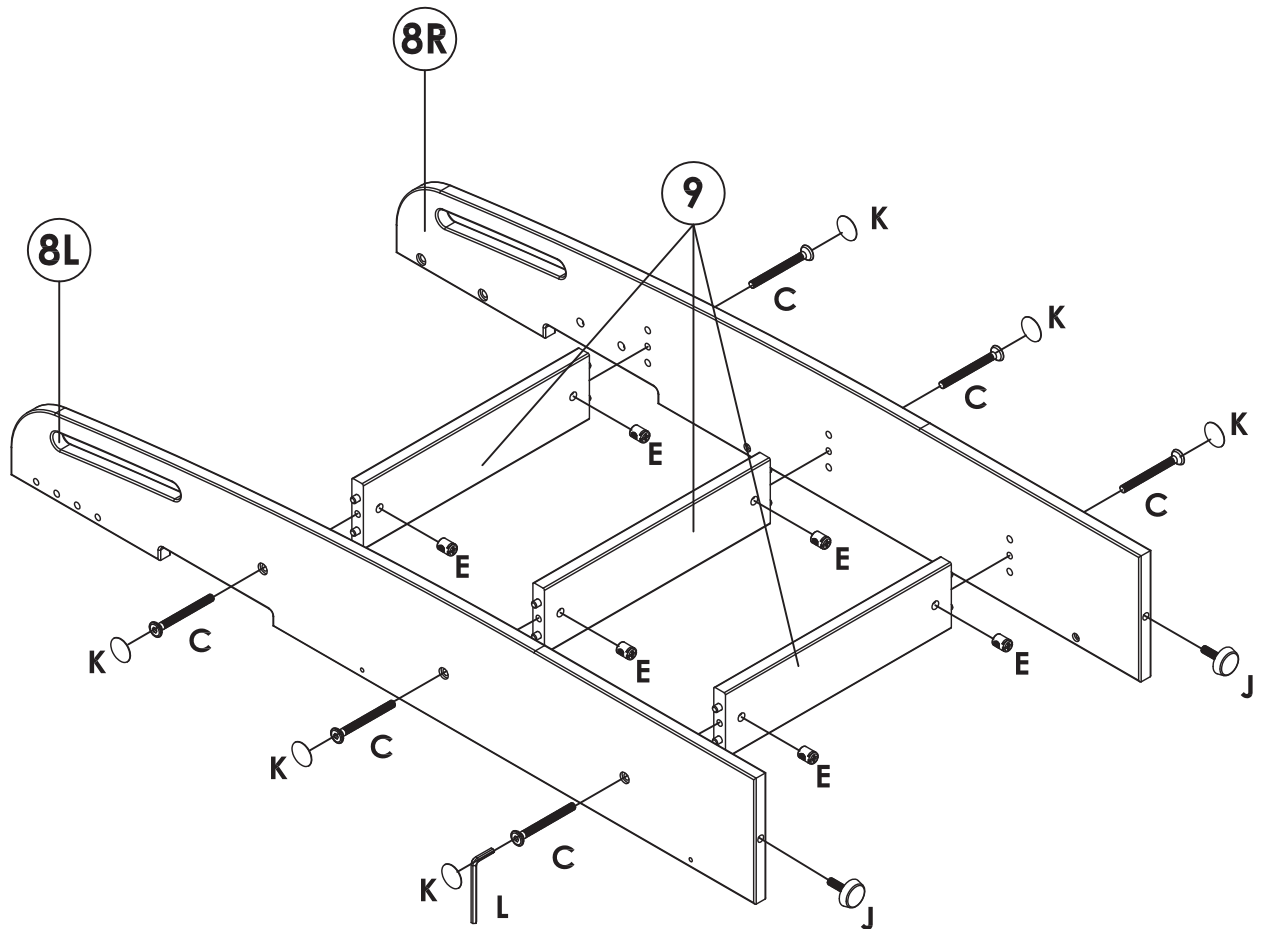
STEP 5

DO NOT use any power tools as this may damage the bed frame and will invalidate any claim.

Insert **(J)** into specified holes beneath the **Ladder Side (Left)** and **Ladder Side (Right)**

Attach and secure **Ladder Side (Left)** and **Ladder Side (Right)** onto **Ladder Slat** by using **(C)** and **(E)**, tighten it up by using **(L)**. Follow it up by attaching **(K)** into screw holes.

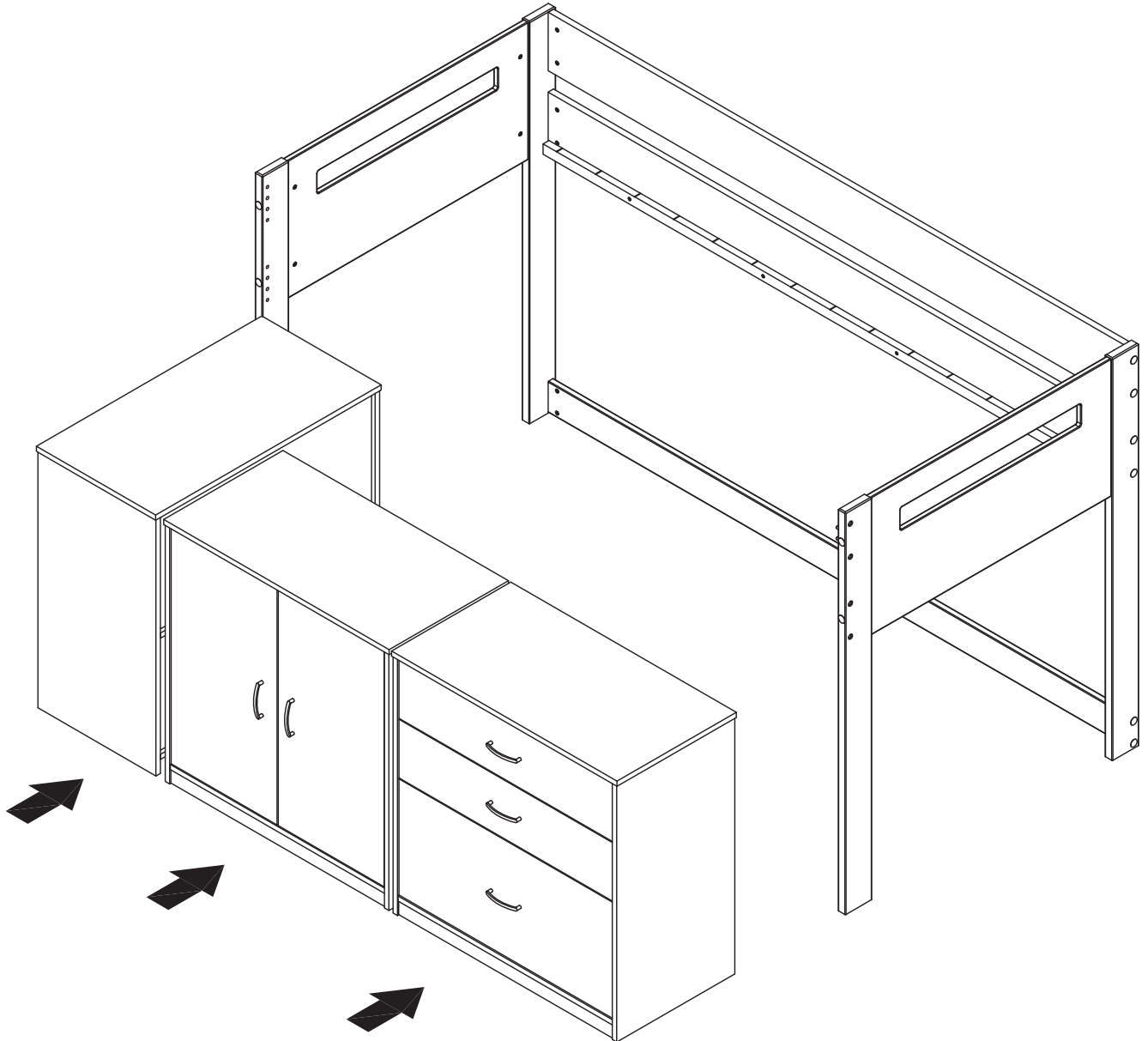
C		6
E		6
J		2
K		6
L		1



OPTION 1 : LEFT SIDE LADDER

STEP 6





If you wish for any of the storage units to be situated underneath the frame, please do so at this step before the ladder and side rail are attached. This will avoid damage to either the storage units or your flooring.

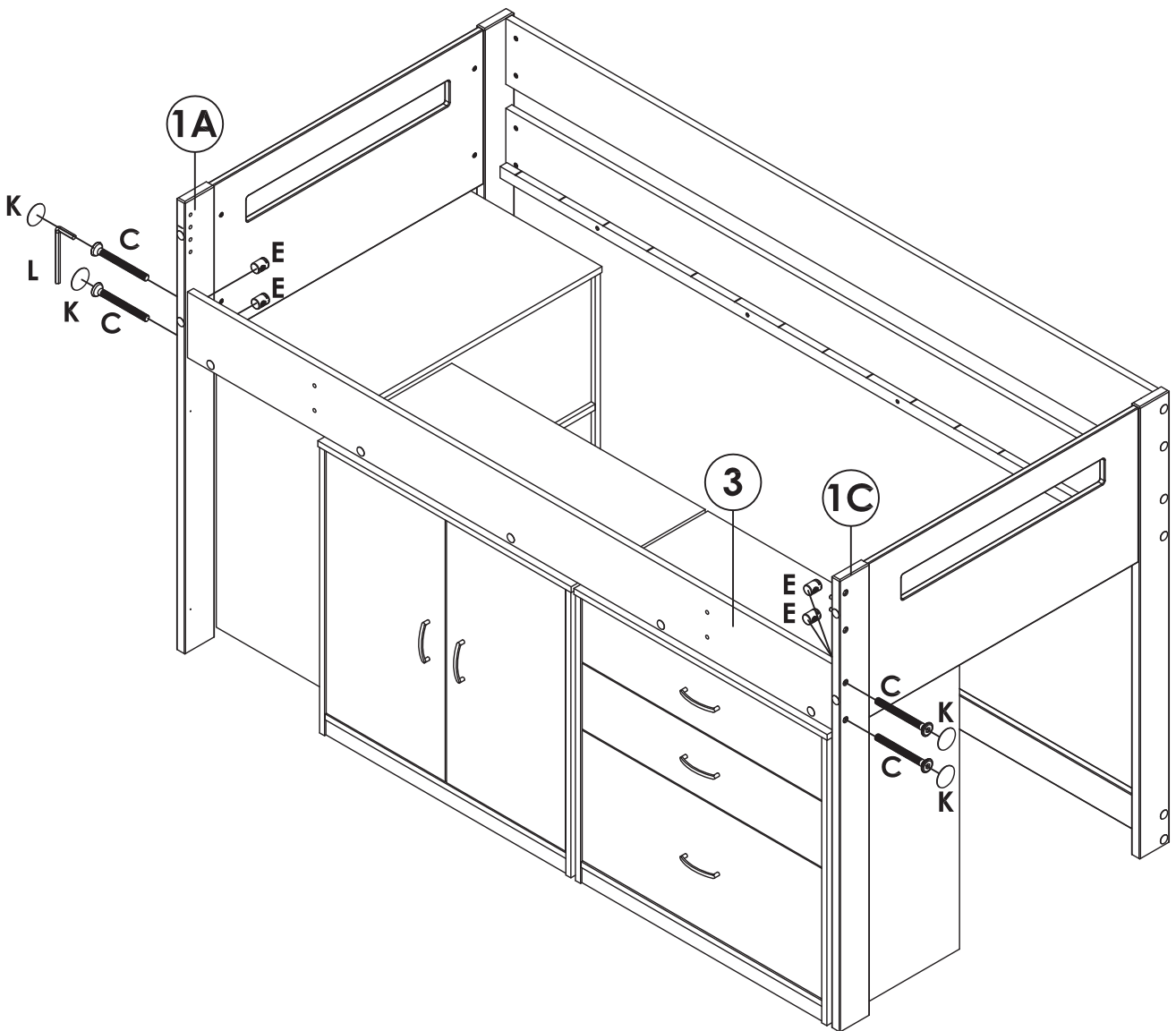


STEP 7

DO NOT use any power tools as this may damage the bed frame and will invalidate any claim.

Attach and secure **Side Rail (Front)** onto **Headboard (Left)** and **Headboard (Right)** by using **(C)** and **(E)**, tighten it up by using **(L)**. Follow it up by attaching **(K)** into screw holes.

C		4
E		4
K		4
L		1

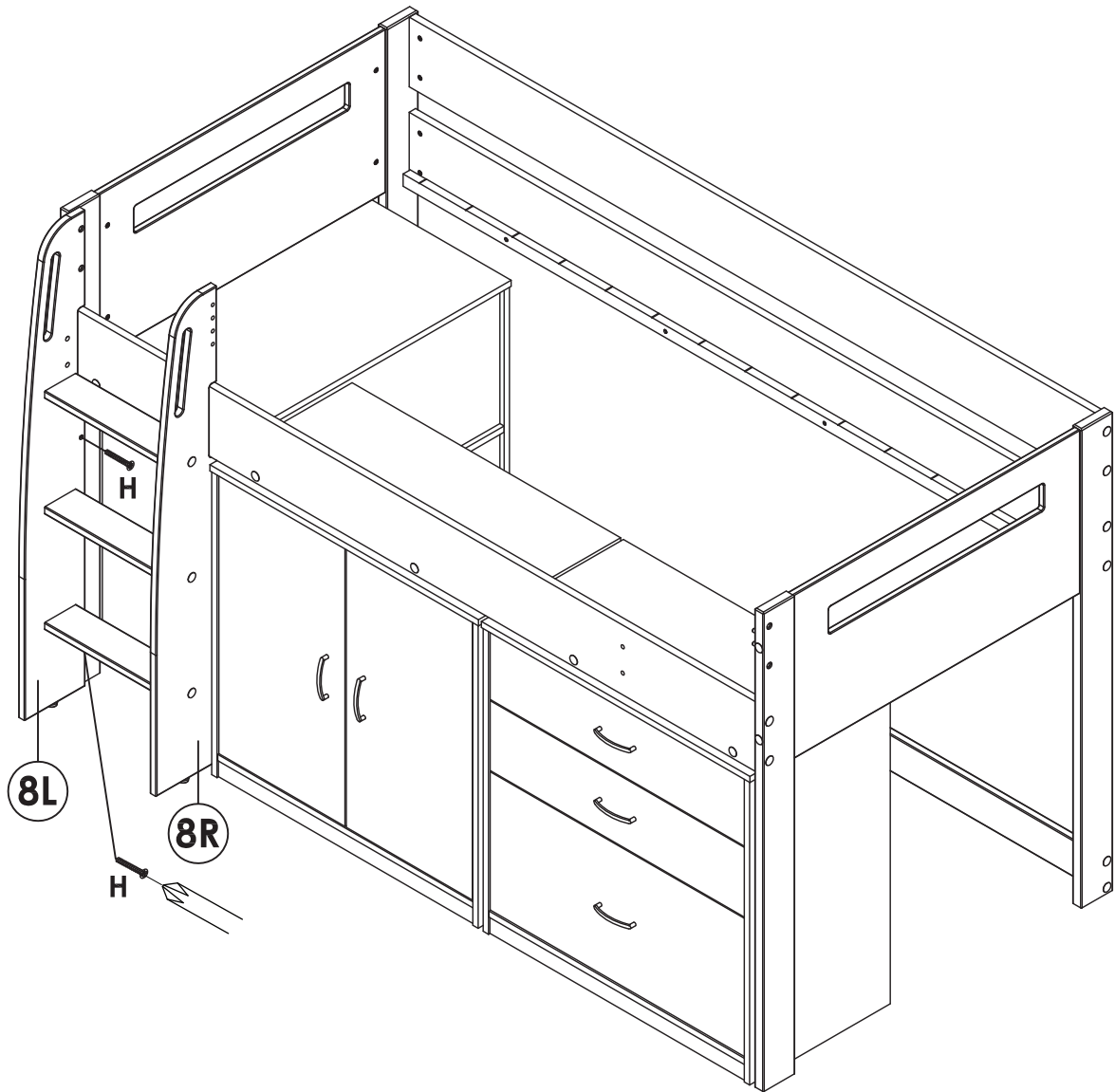


STEP 8

DO NOT use any power tools as this may damage the bed frame and will invalidate any claim.

H		2
---	---	---







Screwing in **(H)** into pre-drilled hole on **Ladder Side (Left)** by using a Crosshed Screw Driver.

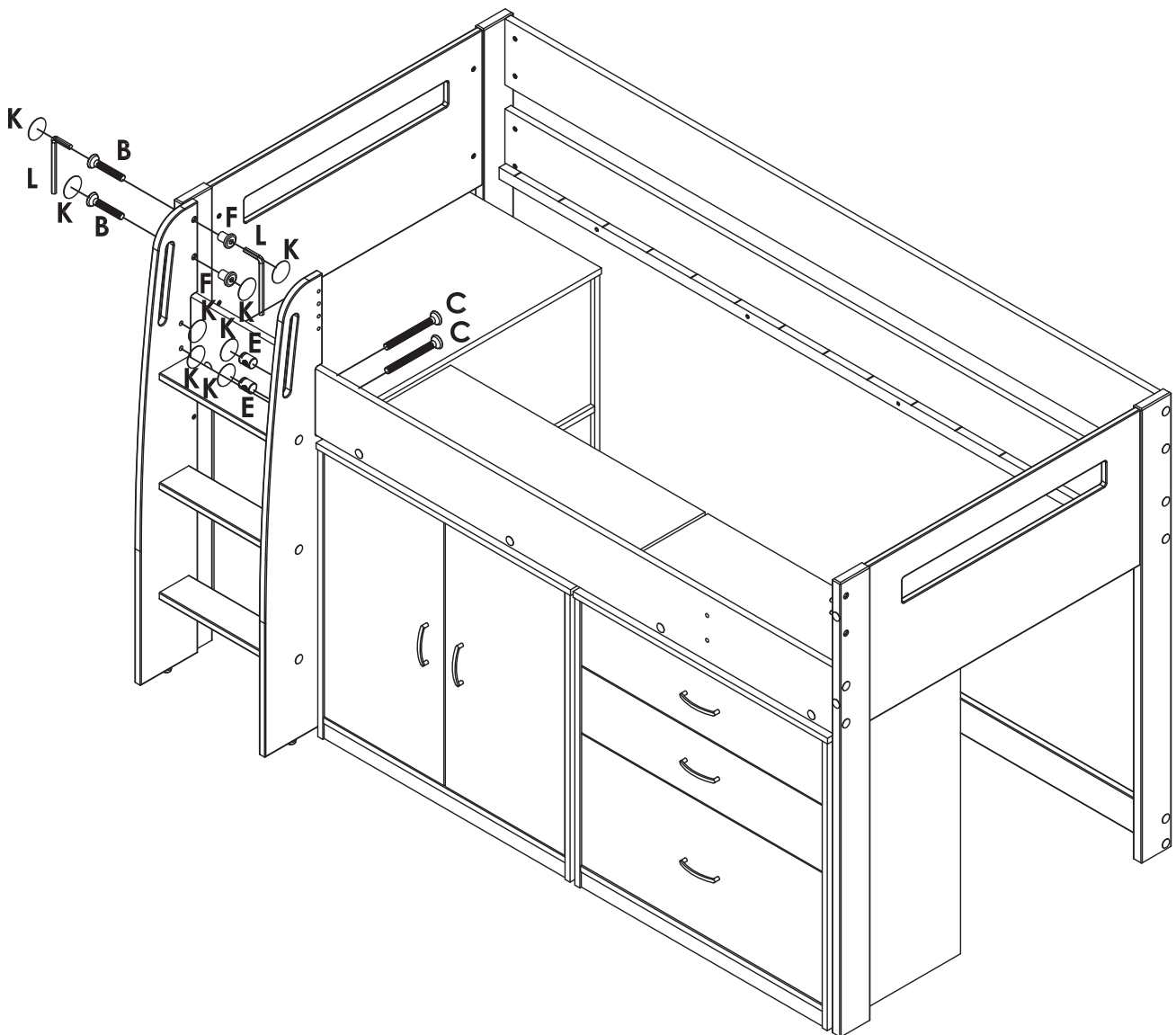


STEP 9

DO NOT use any power tools as this may damage the bed frame and will invalidate any claim.

Attach and secure **Ladder** onto the **Headboard (Left)** by using **(B)** and **(F)**, **Ladder** to **Side Rail (Front)**, by using **(C)** and **(E)**, tighten it up by using **(L)**. Follow it up by attaching **(K)** into screw holes.





B		2
C		2
E		2
F		2
K		8
L		2

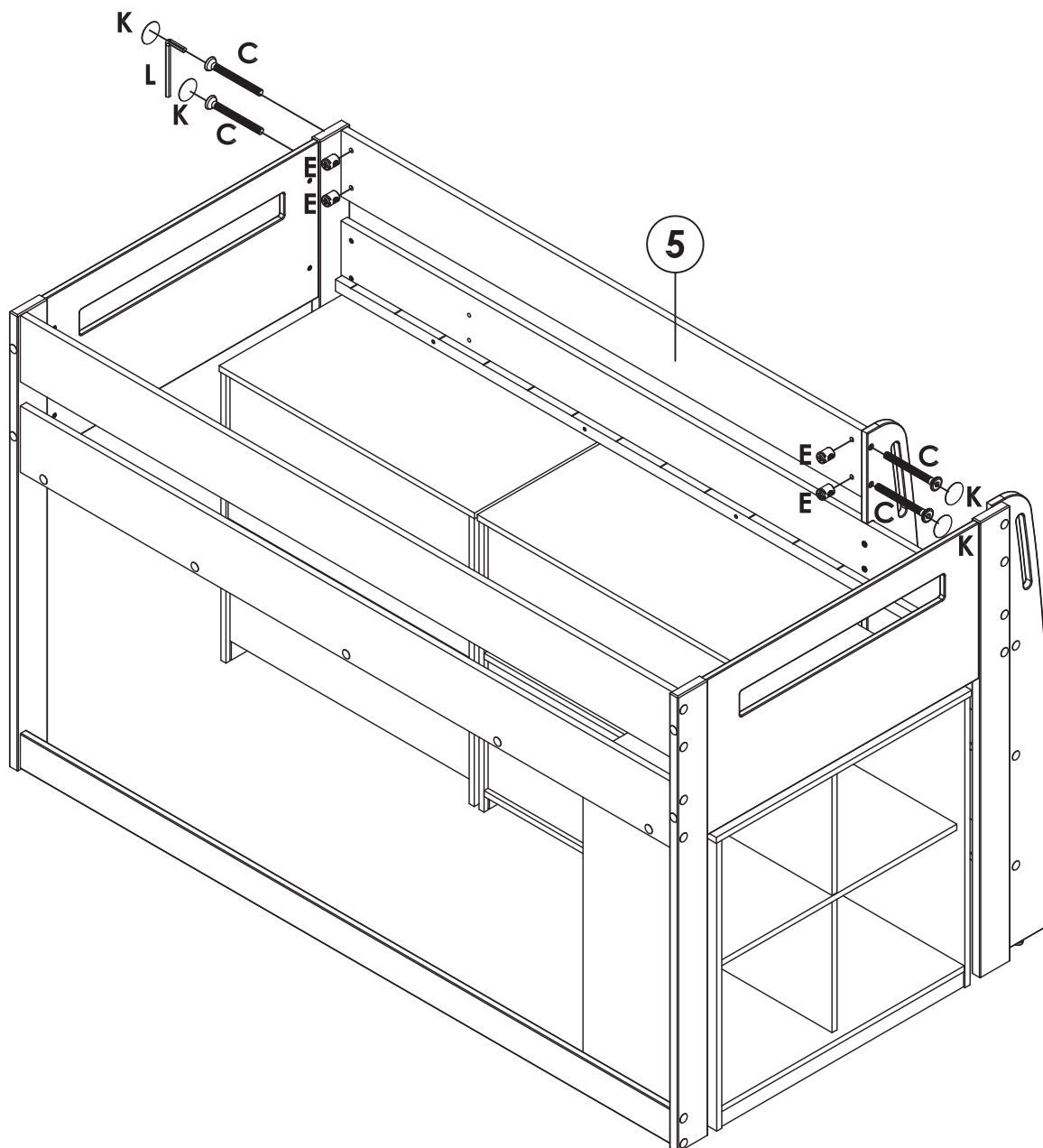


STEP 10

DO NOT use any power tools as this may damage the bed frame and will invalidate any claim.

Attach and secure **Semi Guard Rail** onto **Headboard (Right)** and **Ladder Side (Right)** by using **(C)** and **(E)**, tighten it up by using **(L)**. Follow it up by attaching **(K)** into screw holes.

C		4
E		4
K		4
L		1



STEP 11

DO NOT use any power tools as this may damage the bed frame and will invalidate any claim.

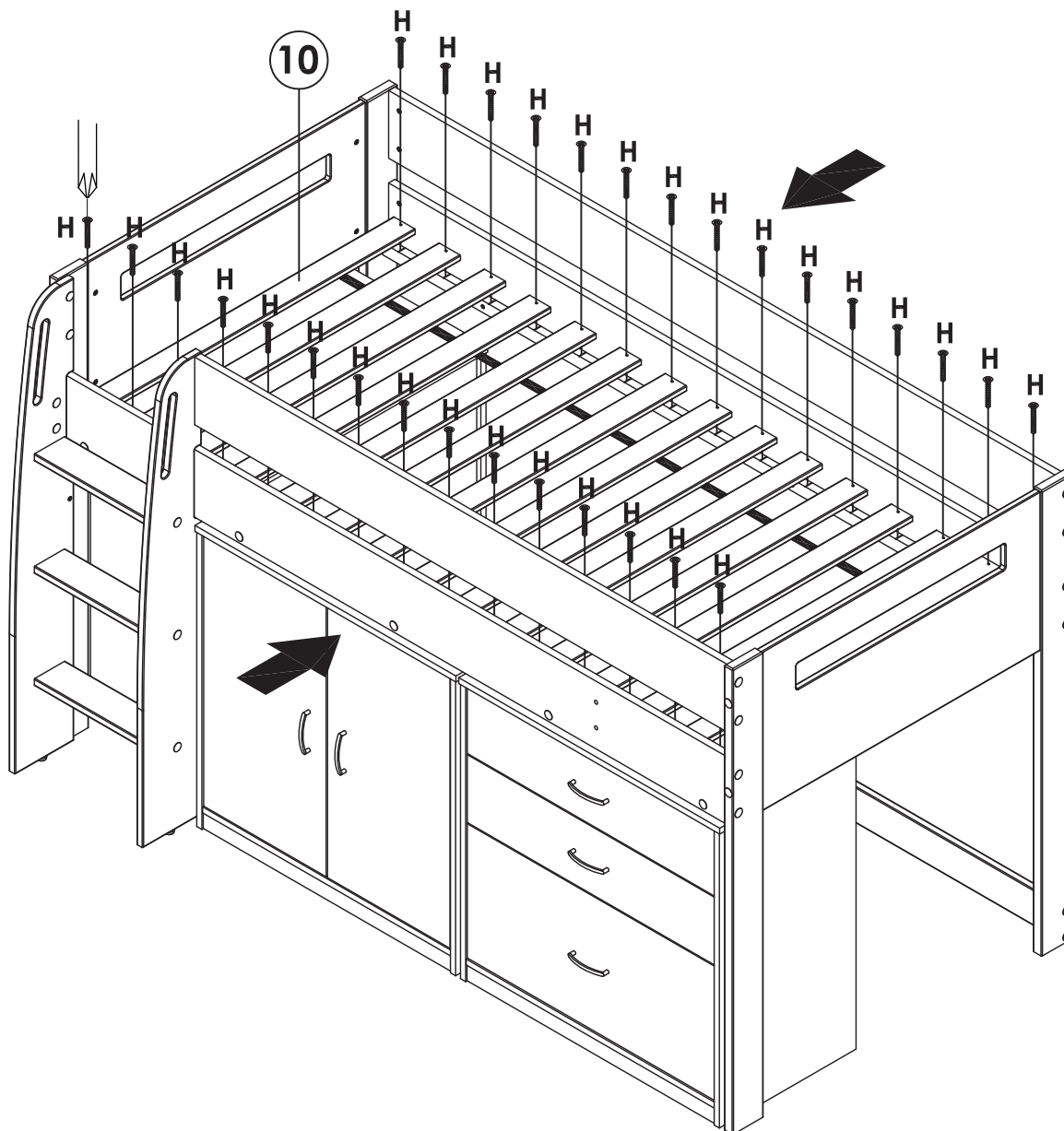
Attach and secure **Wooden Slat** onto bed **Slat Support** by using **(H)**, tighten it up by using a Crosshead Screw Driver.

H



30

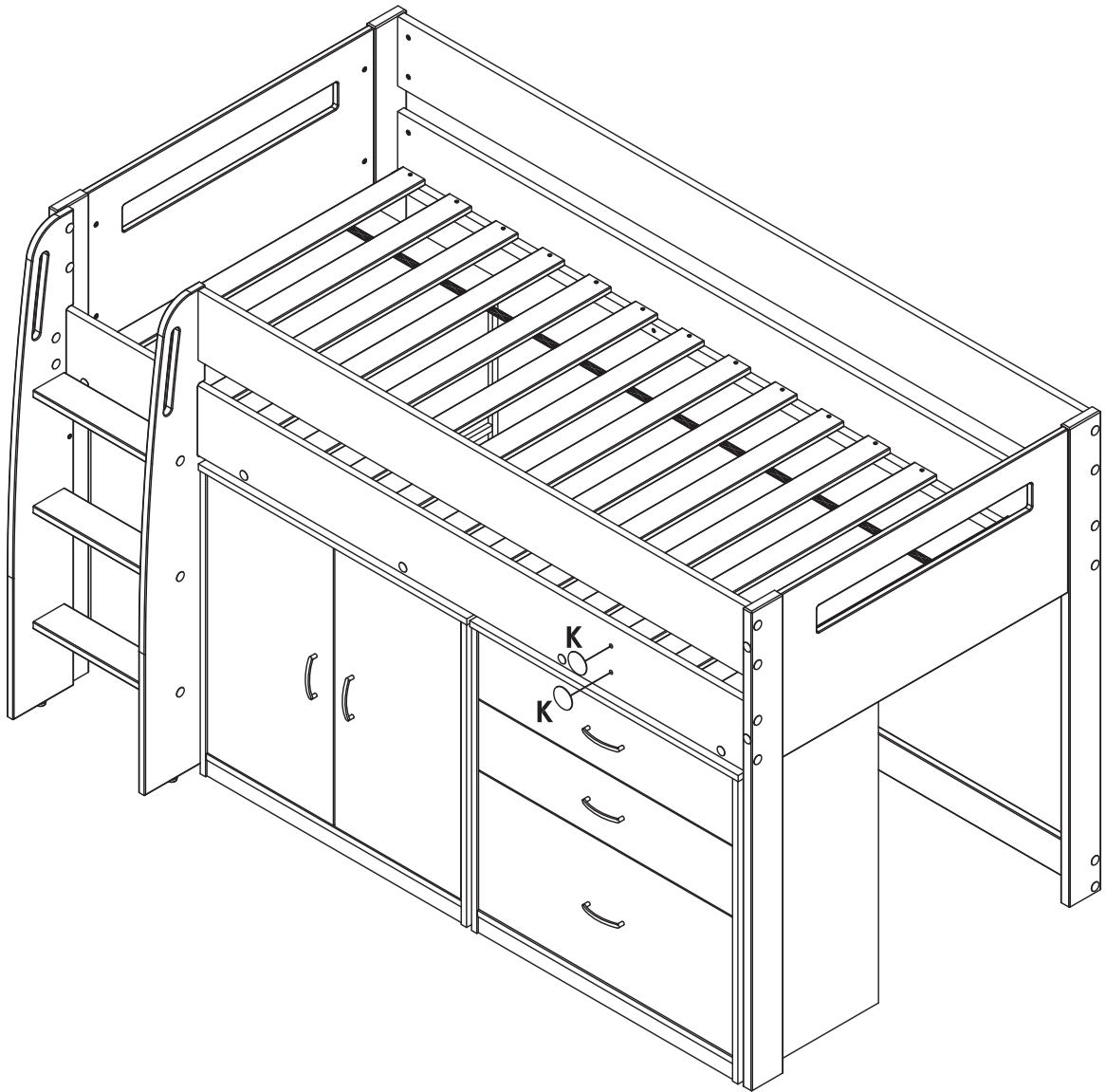
Align both **Side Rail (Front) and **Side Rail (Rear)** before tightening the screws.*



STEP 12

Attaching **(K)** into Ø9MM holes on **Side Rail (Front)**.

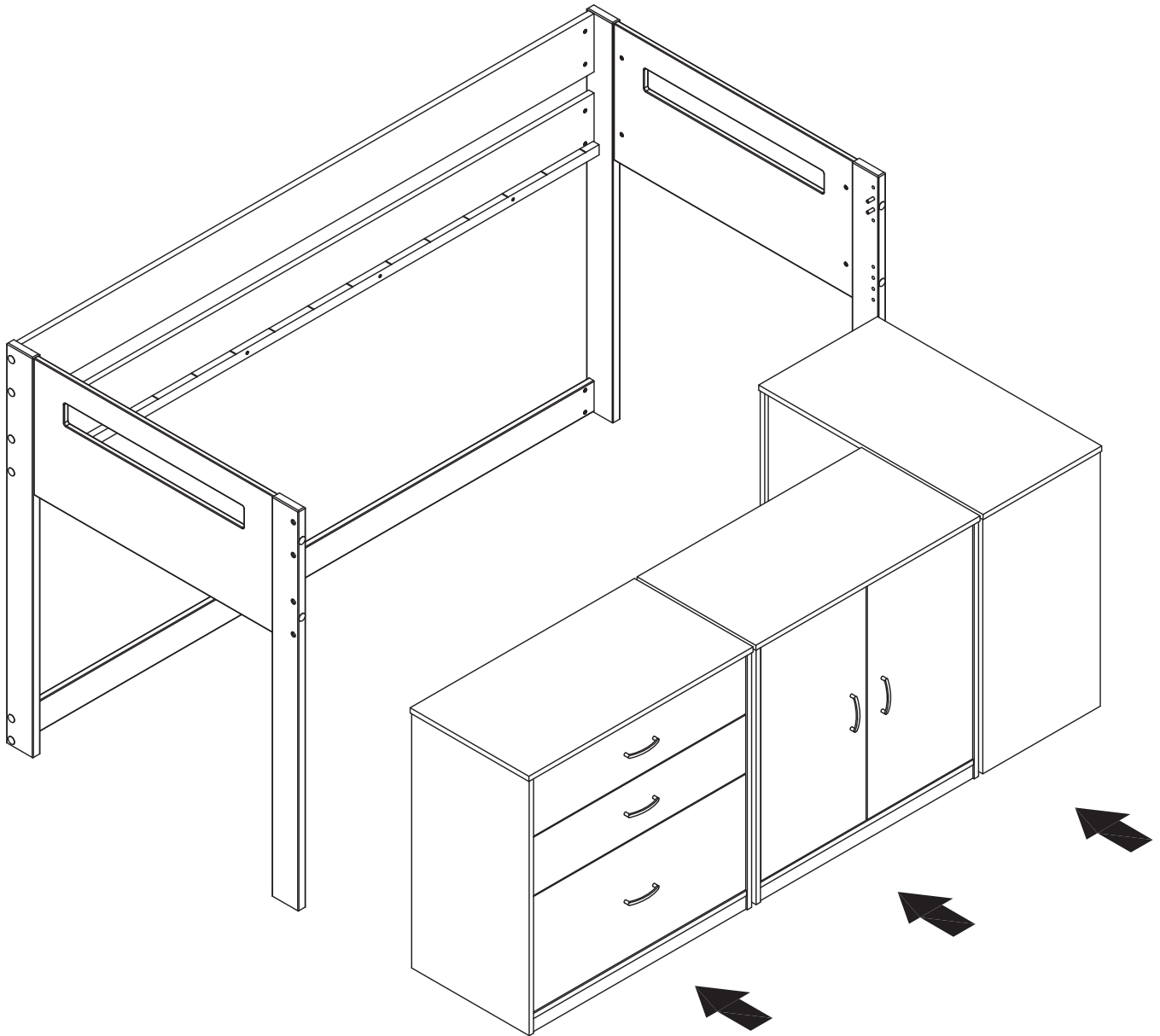
K		2
---	---	---



OPTION 2 : RIGHT SIDE LADDER

STEP 6





If you wish for any of the storage units to be situated underneath the frame, please do so at this step before the ladder and side rail are attached. This will avoid damage to either the storage units or your flooring.

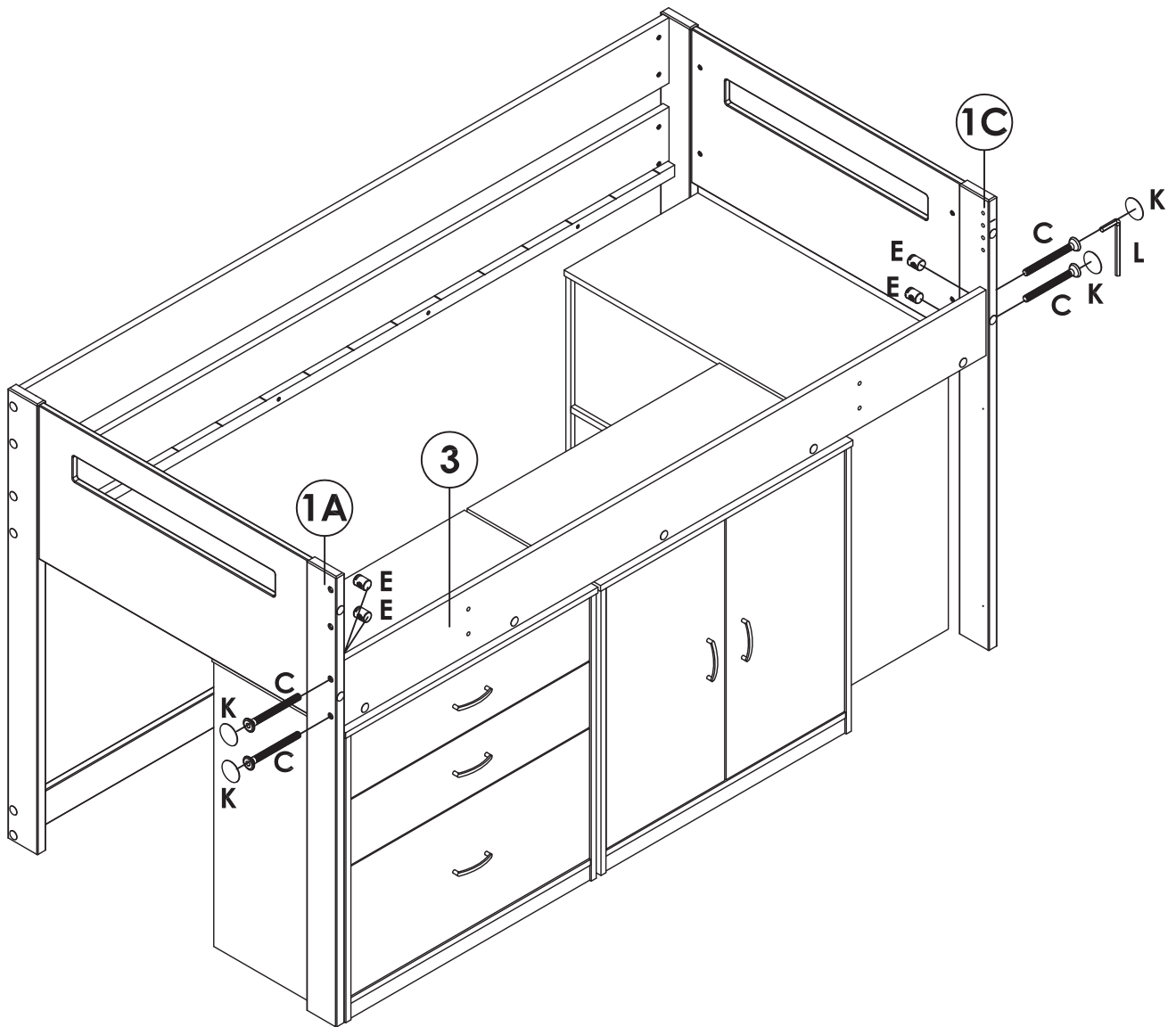


STEP 7

DO NOT use any power tools as this may damage the bed frame and will invalidate any claim.

Attach and secure **Side Rail (Front)** onto **Headboard (Left)** and **Headboard (Right)** by using **(C)** and **(E)**, tighten it up by using **(L)**. Follow it up by attaching **(K)** into screw holes.

C		4
E		4
K		4
L		1

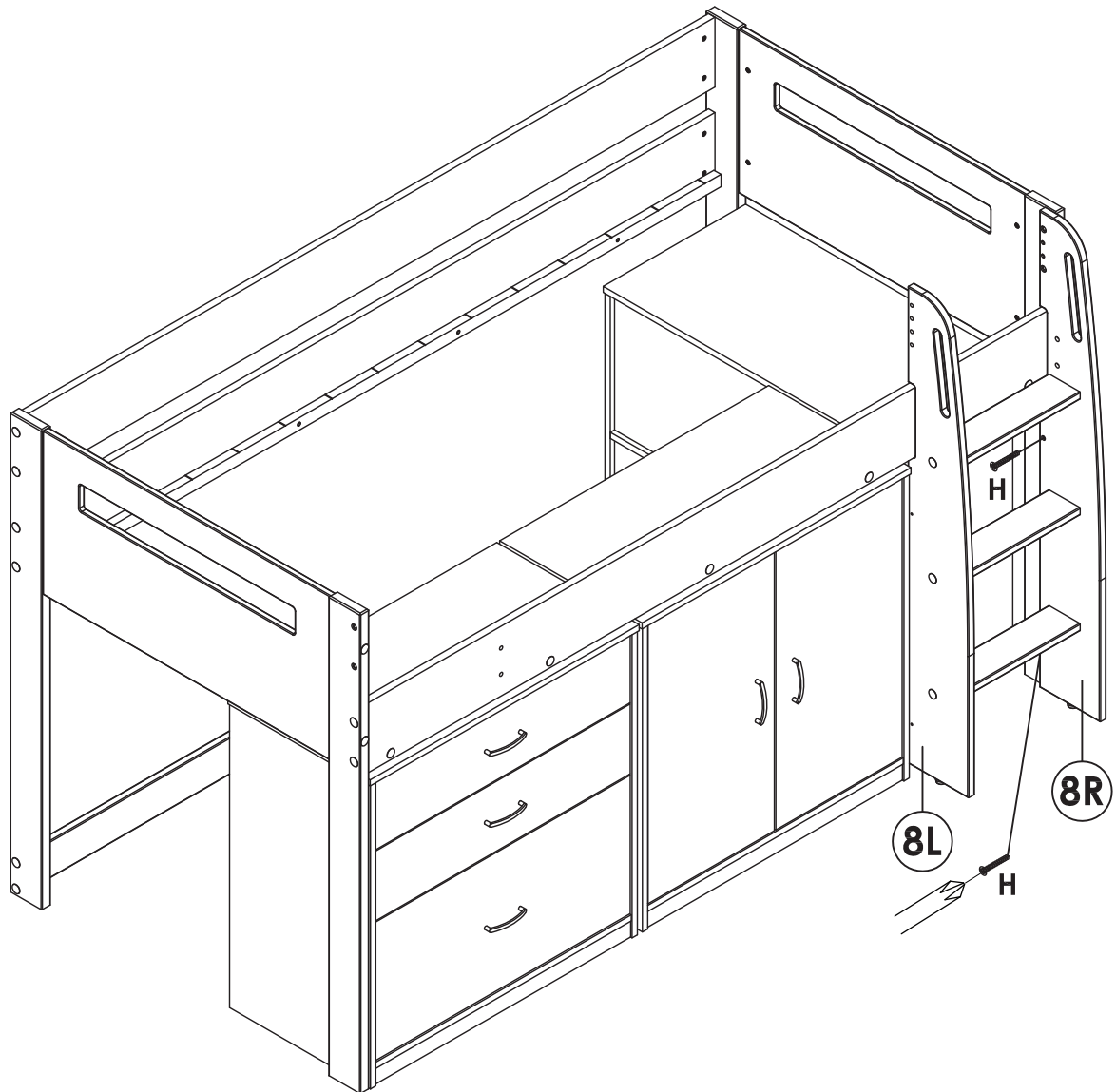


STEP 8

DO NOT use any power tools as this may damage the bed frame and will invalidate any claim.

Screwing in **(H)** into pre-drilled hole on **Ladder Side (Left)** by using a Crosshed Screw Driver.







H		2
---	---	---

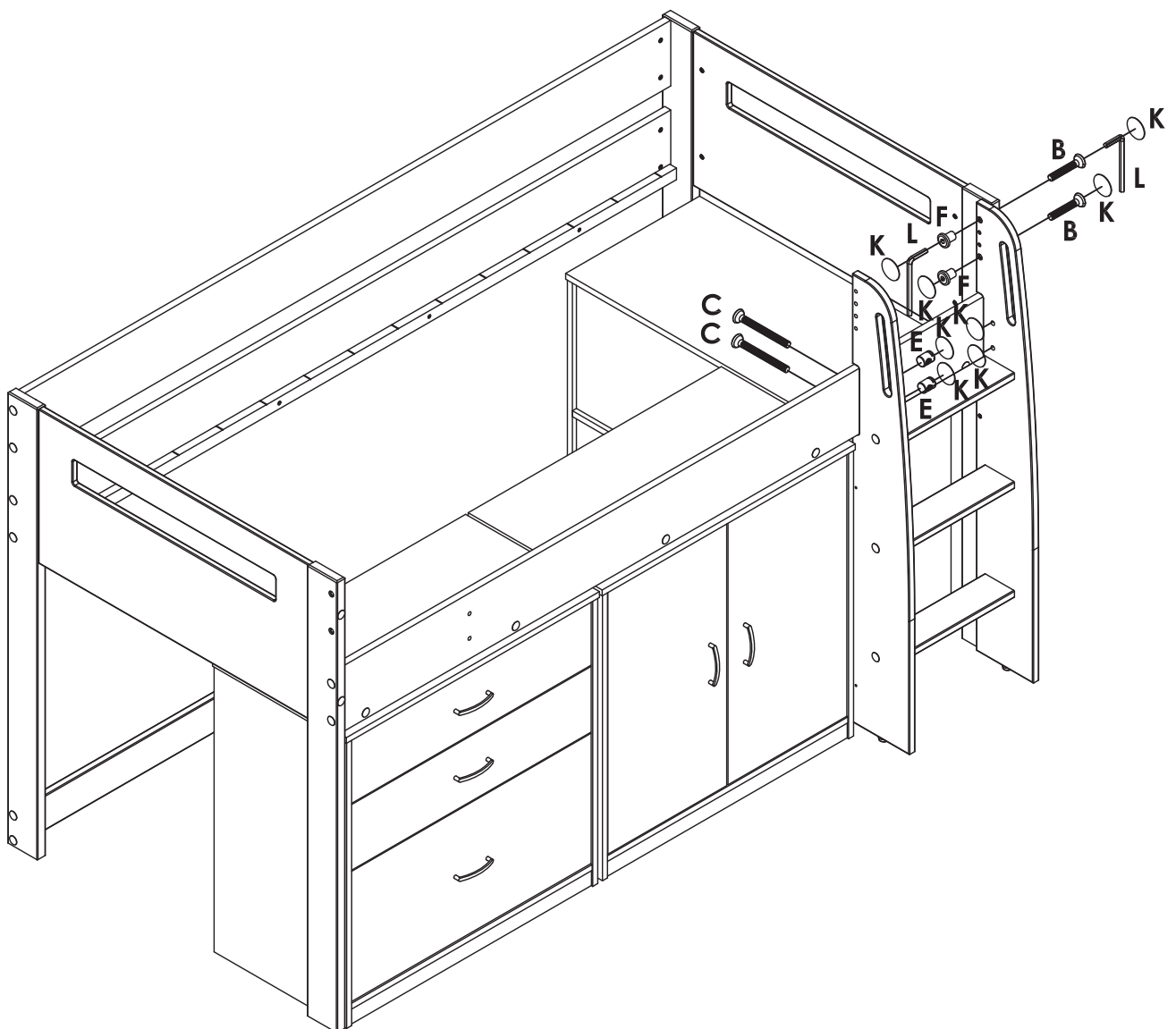


STEP 9

DO NOT use any power tools as this may damage the bed frame and will invalidate any claim.

Attach and secure **Ladder** onto the **Headboard (Left)** by using **(B)** and **(F)**, **Ladder** to **Side Rail (Front)**, by using **(C)** and **(E)**, tighten it up by using **(L)**. Follow it up by attaching **(K)** into screw holes.





B		2
C		2
E		2
F		2
K		8
L		2

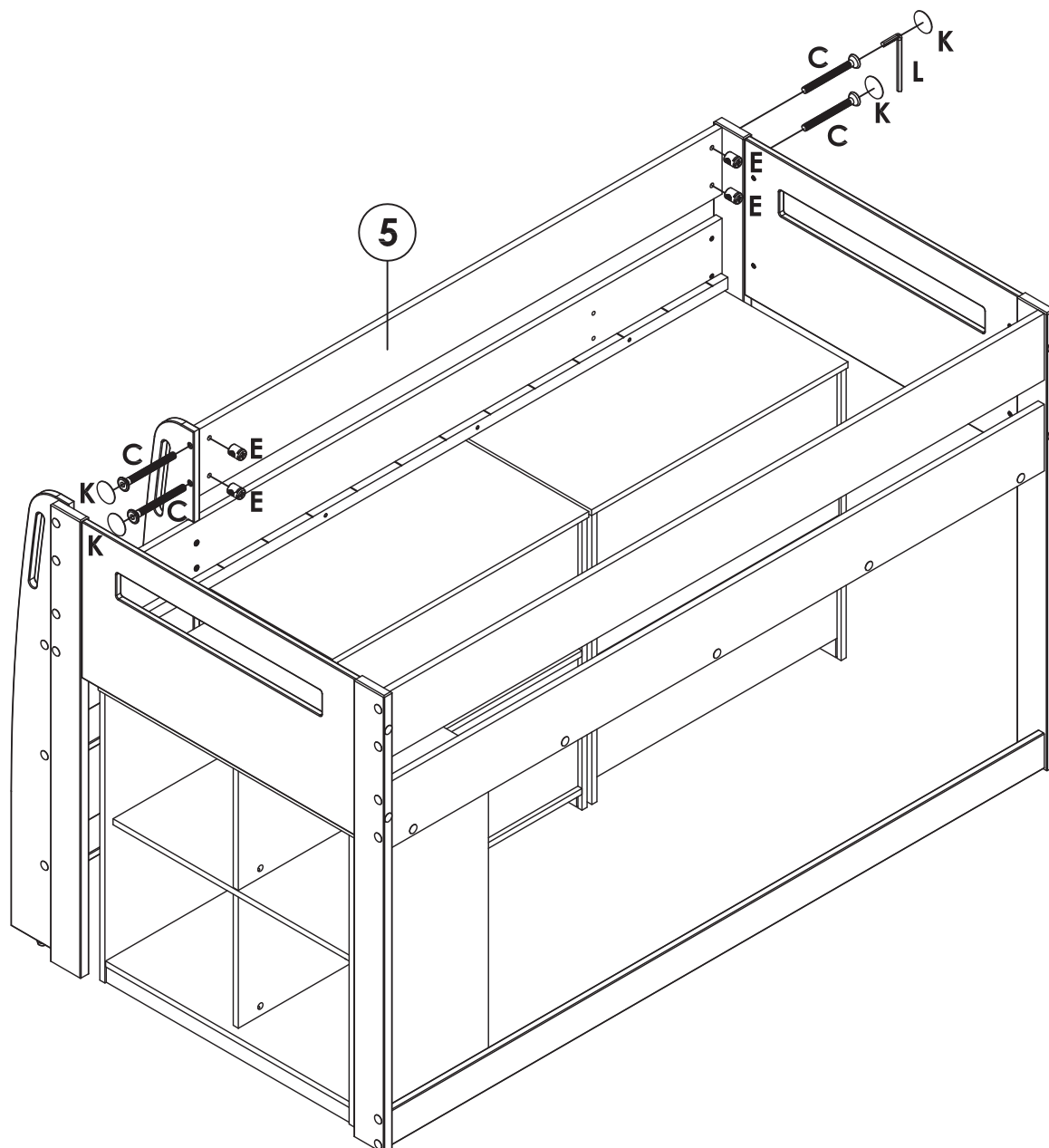


STEP 10

DO NOT use any power tools as this may damage the bed frame and will invalidate any claim.

Attach and secure **Semi Guard Rail** onto **Headboard (Right)** and **Ladder Side (Right)** by using **(C)** and **(E)**, tighten it up by using **(L)**. Follow it up by attaching **(K)** into screw holes.

C		4
E		4
K		4
L		1



STEP 11

DO NOT use any power tools as this may damage the bed frame and will invalidate any claim.

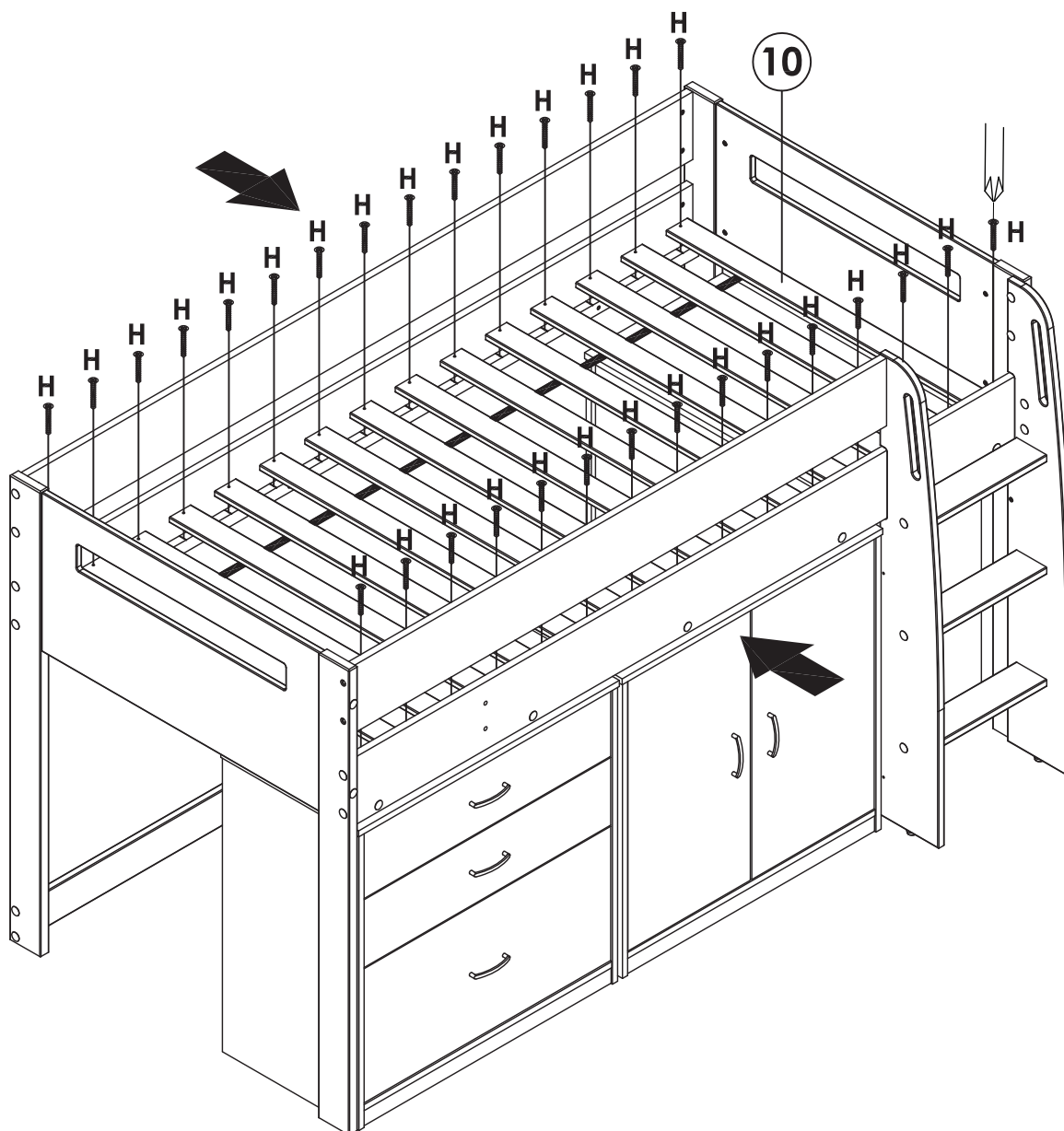
H



30

Attach and secure **Wooden Slat** onto bed **Slat Support** by using (H), tighten it up by using a Crosshead Screw Driver.

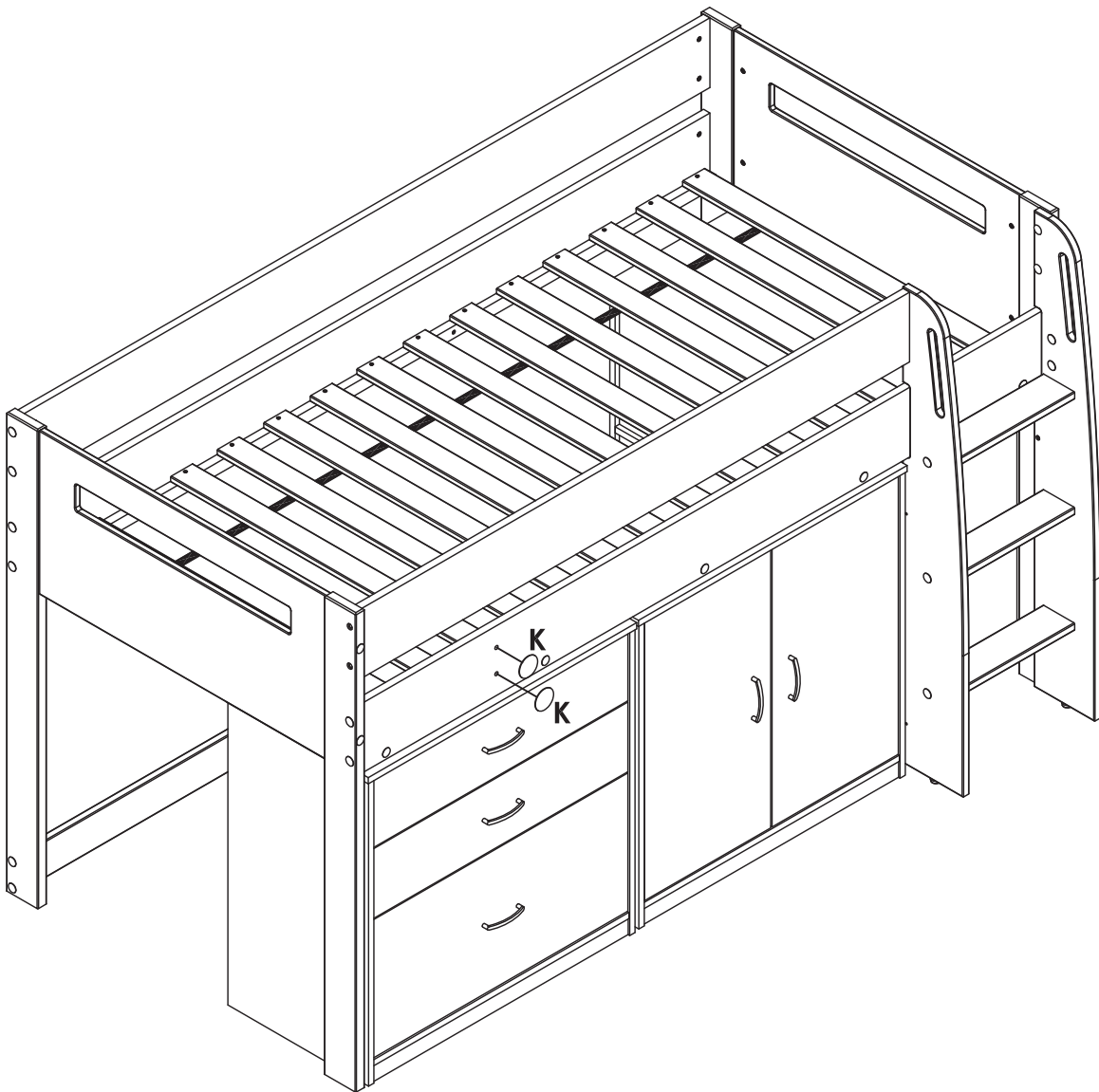
Align both **Side Rail (Front) and **Side Rail (Rear)** before tightening the screws.*



STEP 12

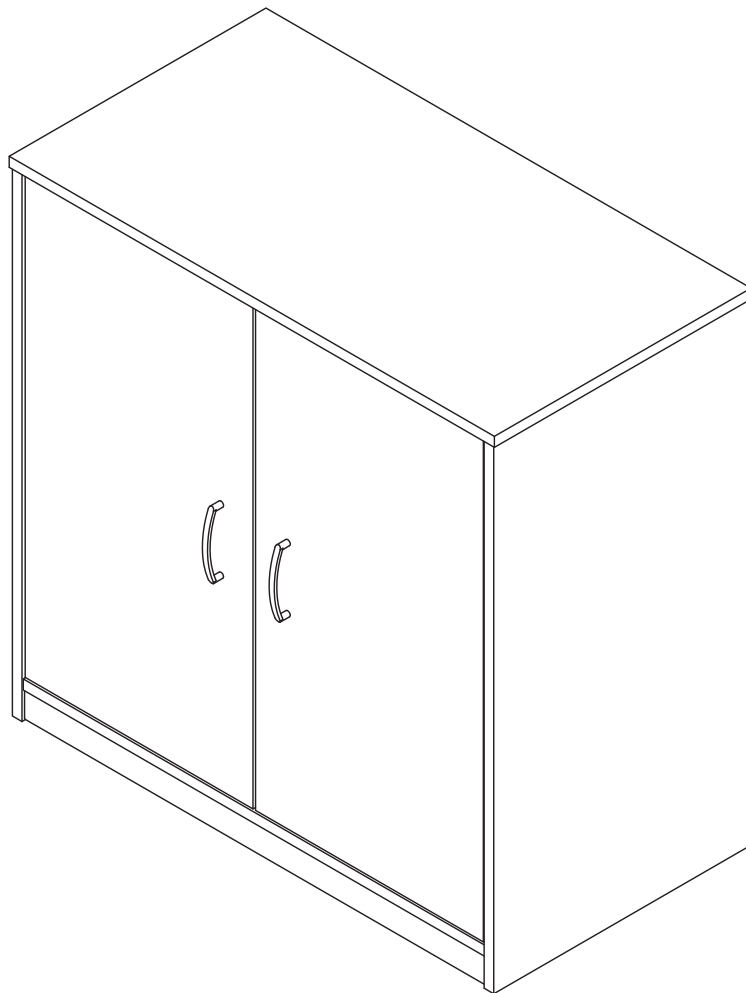
Attaching **(K)** into Ø9MM holes on **Side Rail (Front)**.

K		2
---	---	---



LACY MIDSLEEPER - 2 DOORS UNIT

Assembly Instructions



SAFETY ADVICE

Please take the time to carefully read through the whole of these instructions before you commence.

Keep these instructions for future reference.

Unpack, inspect and check of all of the contents.

Please dispose of all packing safely.

Small components parts could choke a child is swallowed.

We strongly recommend that you keep children well away from the work area.

It would be sensible to lay a sheet or blanket on the floor where you intend to work to avoid Scratching this product and protect your floor.

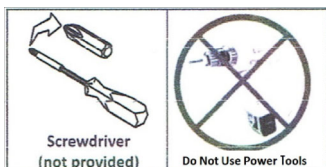
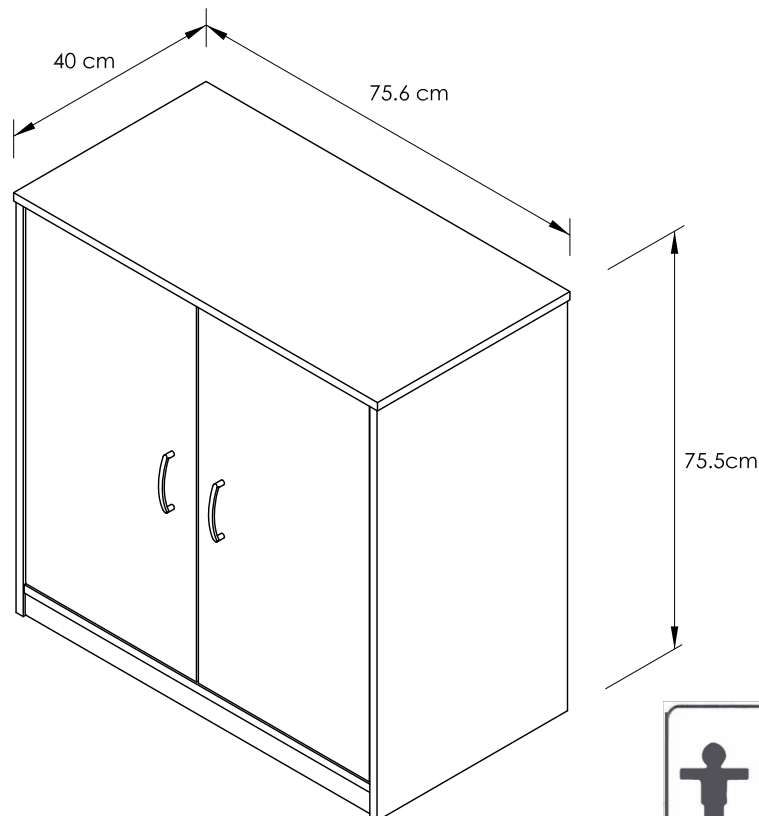
This product is heavy. Take extreme care when lifting to avoid personal injury or damage to the product.

This bed is heavy. Always lift this bed with two people.

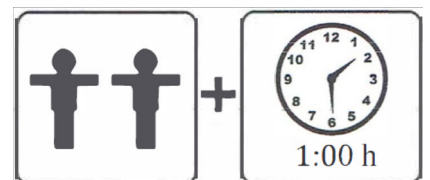
Assemble the product as close to its intended final position in the room as possible.

Keep any sharp object away from the bed frame.

HANDY HINT: If you keep the hardware in a bowl during assembly you will be less likely to lose them.



All Dimensions are approximate.



PART LIST

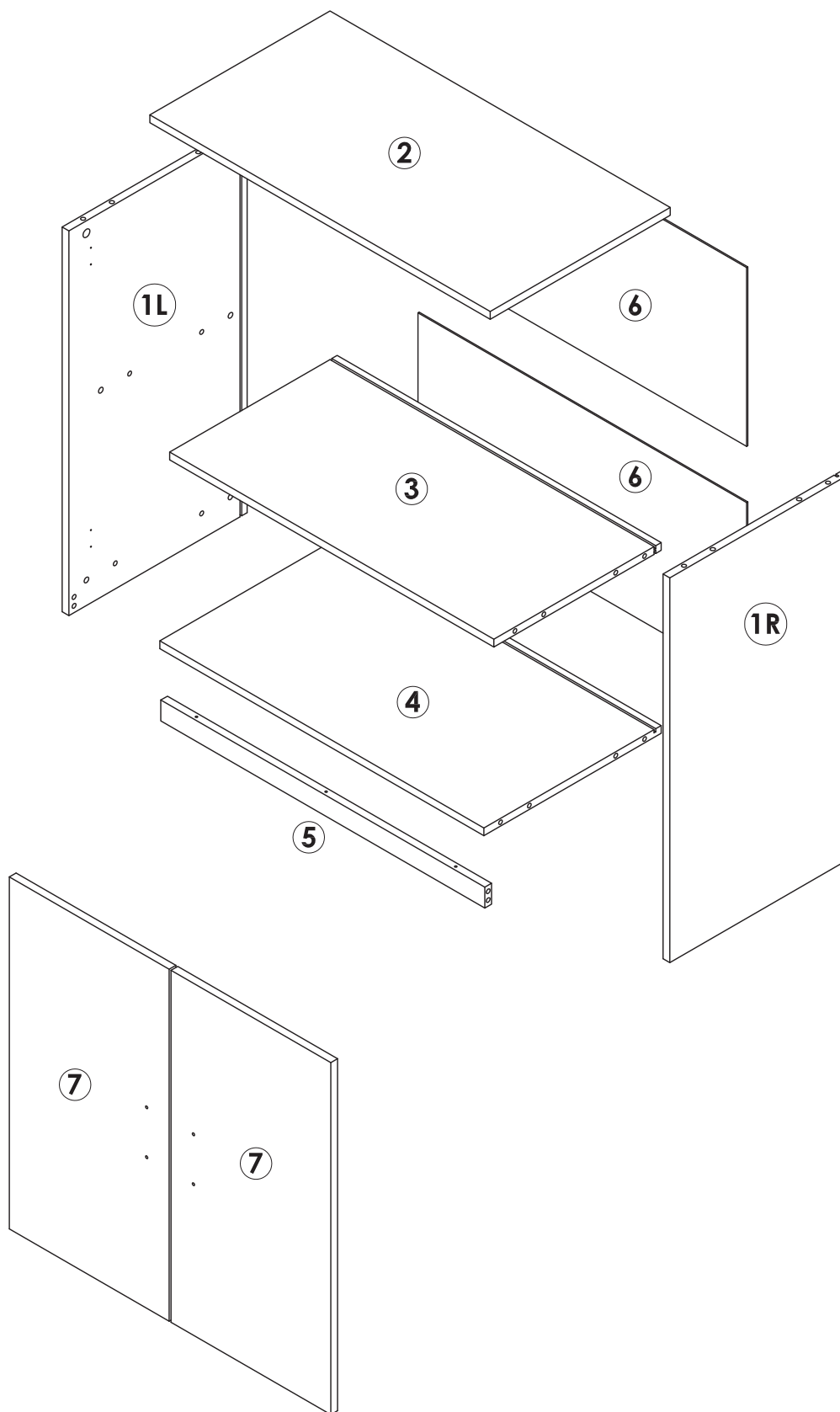
Model : LACY MIDSLEEPER - 2 DOORS UNIT

Carton 4 of 5

No.	Part Name	Pcs
①L	SIDE PANEL (LEFT)	1
①R	SIDE PANEL (RIGHT)	1
②	TOP PANEL	1
③	TOP SHELF	1
④	BOTTOM SHELF	1
⑤	FRONT RAIL (BOTTOM)	1
⑥	BACK PANEL	2
⑦	DOOR	2
	HARDWARE BOX	1

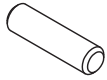
Parts

ALL PARTS ARE LABELLED WITH NUMBER ACCORDINGLY



Hardware VP 312

A



PLASTIC DOWEL (M8 x 30MM)
16 PCS

B



CONNECTING BOLT (24MM)
12 PCS

C



MINIFIX (12MM)
12 PCS

D



CSK C/B SCREW (M3 x 20MM)
6 PCS

E



CSK C/B SCREW (M3.5 x 16MM)
20 PCS

F



P/H C/B SCREW (M3.5 x 16MM)
4 PCS

G



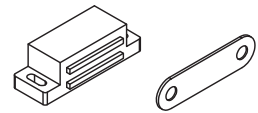
CSK C/B SCREW (M4 x 32MM)
3 PCS

H



P/H M SCREW (M4 x 20MM)
4 PCS

K



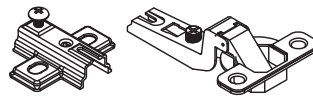
MAGNET 3.5 KG
2 PCS

L



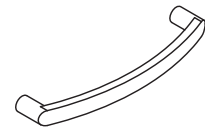
PLASTIC CORNER BLOCK (ABS)
6 PCS

M



CONCEALED HINGES E&O -
MINI B54-15 (7/8") PLATE H0
4 PCS


N

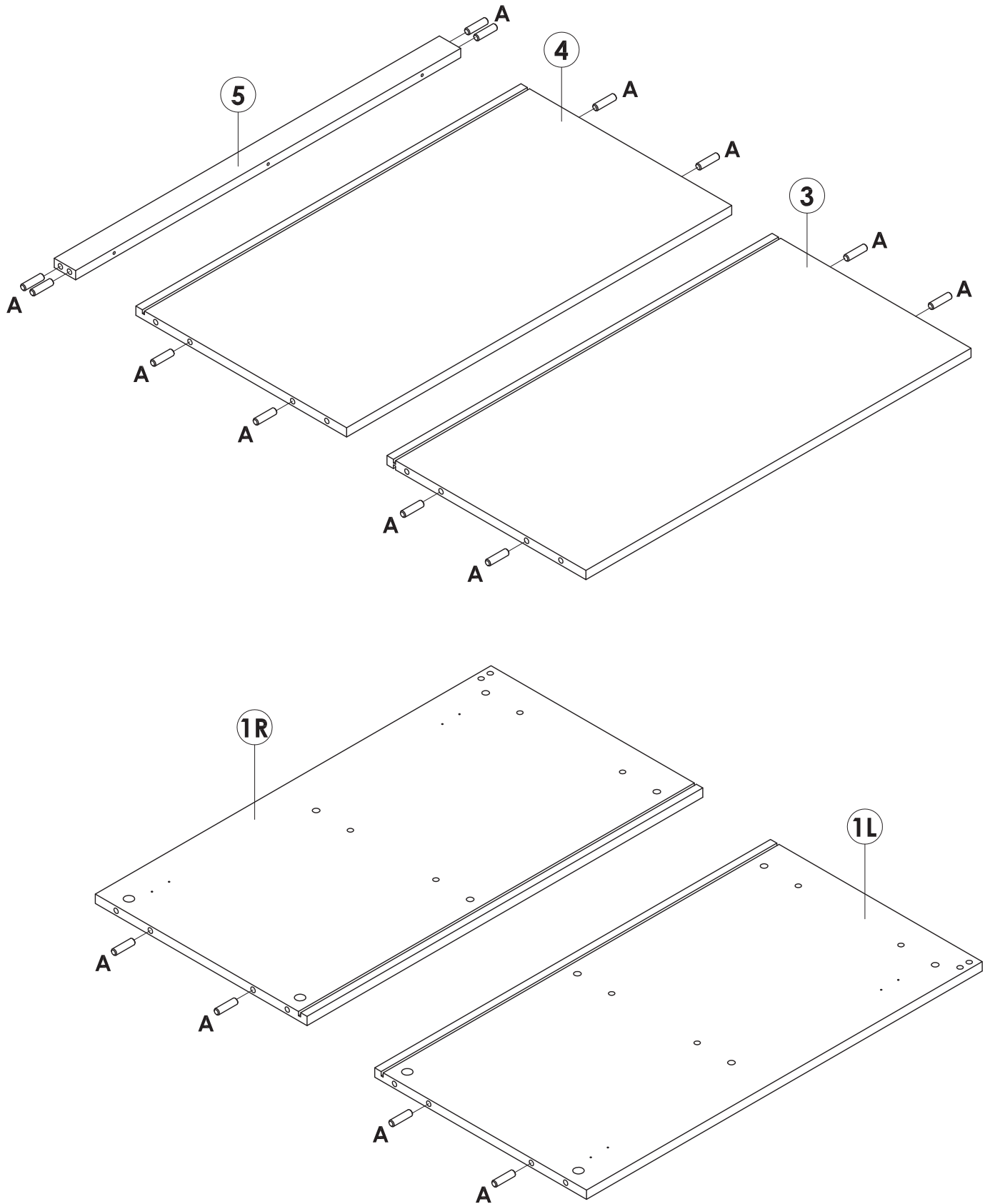


287E# 96MM ZAMAC HANDLE
2 PCS

STEP 1

Insert **(A)** into Ø8MM holes on **Side Panel (Left), Side Panel (Right), Top Shelf, Bottom Shelf** and **Front Rail (Bottom)**.

A		16
---	---	----

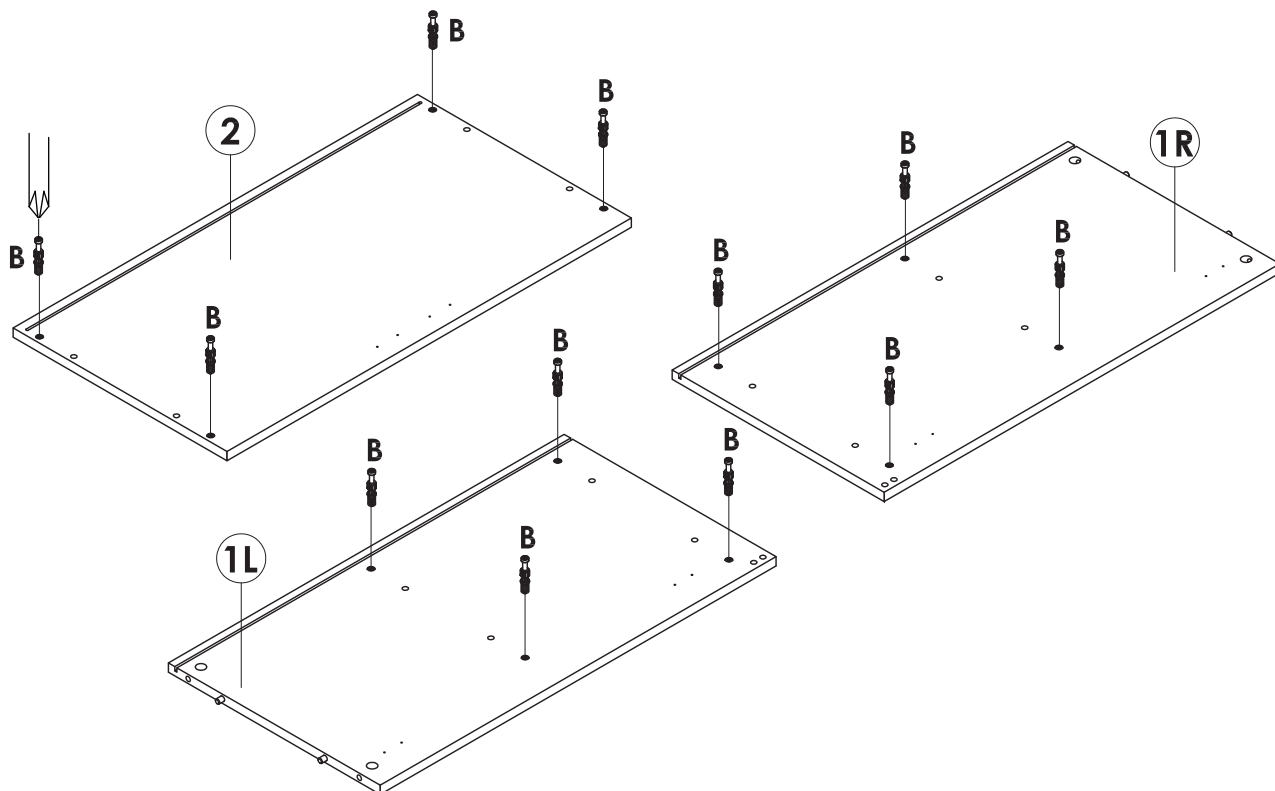


STEP 2

DO NOT use any power tools as this may damage the bed frame and will invalidate any claim.

Insert **(B)** into $\varnothing 10\text{MM}$ holes on **Top Panel, Side Panel (Left)** and **Side Panel (Right)**, tighten it up by using a Crosshead Screw Driver



B		12
---	---	----

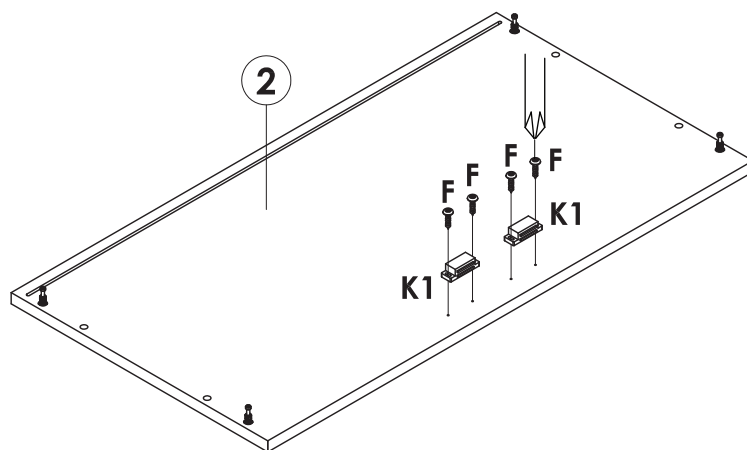


STEP 3

DO NOT use any power tools as this may damage the bed frame and will invalidate any claim.

Attach and secure **(K1)** onto **Top Panel** by using **(F)**, tighten it up by using a Crosshead Screw Driver.



F		4
K1		2

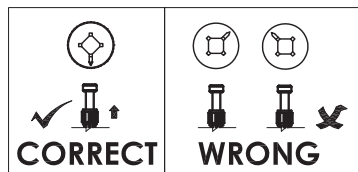
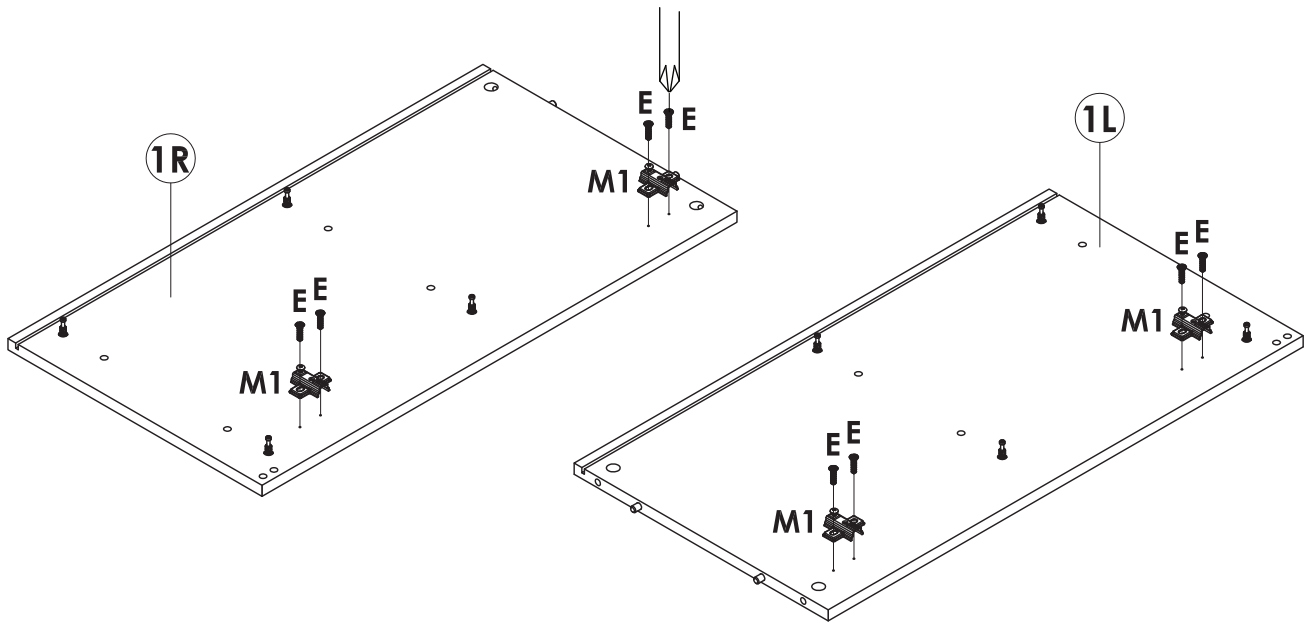


STEP 4

DO NOT use any power tools as this may damage the bed frame and will invalidate any claim.

Attach and secure **(M1)** onto **Side Panel (Left)** and **Side Panel (Right)** by using **(E)**, tighten it up by using a Crosshead Screw Driver.

E		8
M1		4



WHEN FITTING CAMS

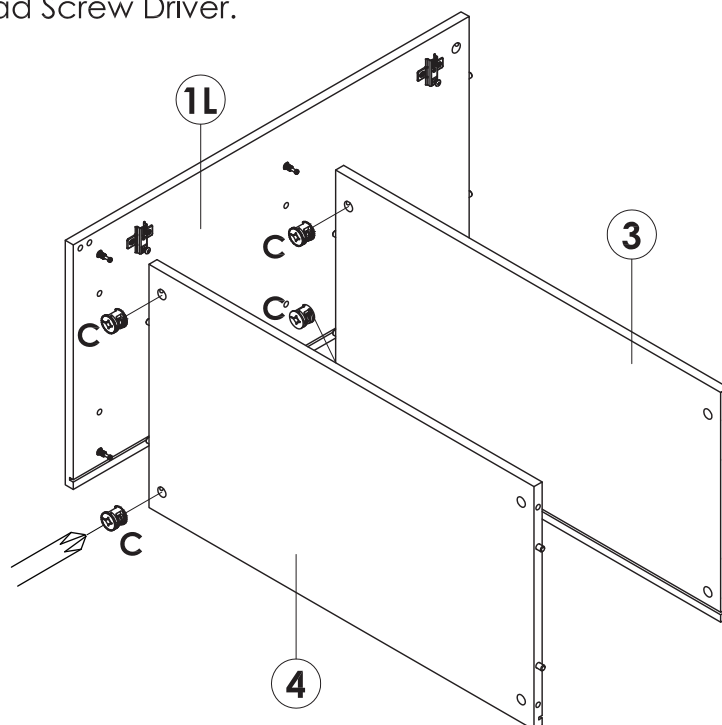
ENSURE STARTING POSITION IS CORRECT BEFORE YOU INSERT CONNECTING BOLT TURN CLOCKWISE UNTIL SECURE.

C		4
---	---	---

STEP 5

DO NOT use any power tools as this may damage the bed frame and will invalidate any claim.

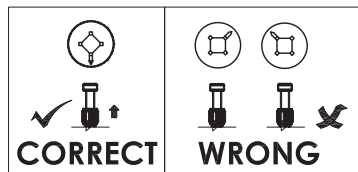
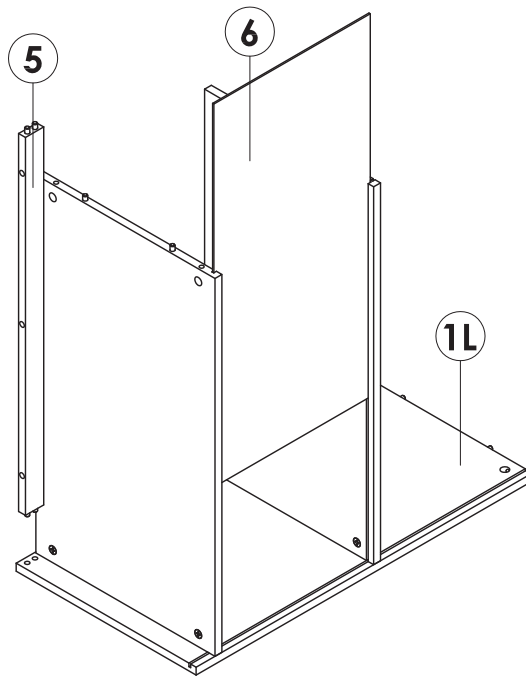
Attach and secure **Side Panel (Left)** onto **Top Shelf** and **Bottom Shelf** by using **(C)**, tighten it up by using a Crosshead Screw Driver.



STEP 6

Attach and secure **Front Rail (Bottom)** onto **Side Panel (Left)**.

Slide down **Back Panel** onto **Top Shelf** and **Bottom Shelf** through the groove as shown on drawing.



WHEN FITTING CAMS

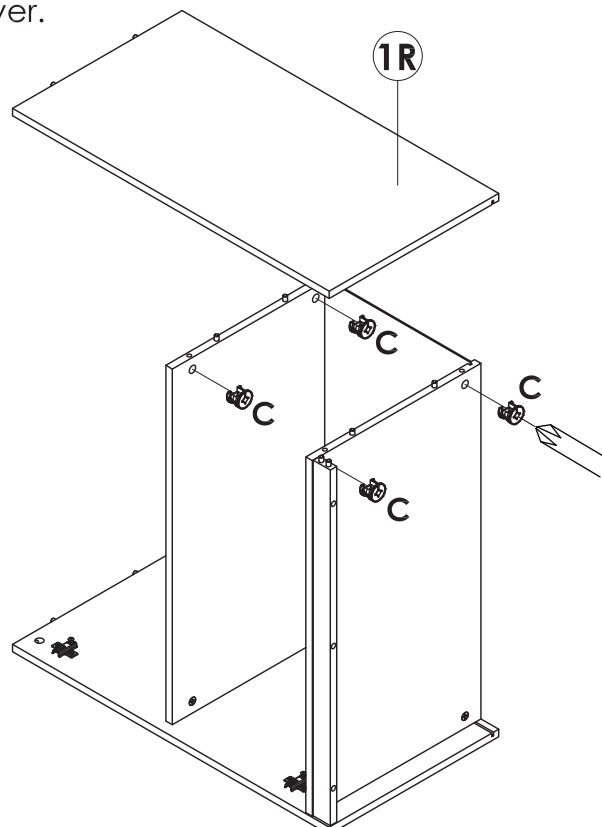
ENSURE STARTING POSITION IS CORRECT BEFORE YOU INSERT CONNECTING BOLT TURN CLOCKWISE UNTIL SECURE.



STEP 7

DO NOT use any power tools as this may damage the bed frame and will invalidate any claim.

Attach and secure **Side Panel (Right)** onto **Top Shelf** and **Bottom Shelf** by using (C), tighten it up by using a Crosshead Screw Driver.



STEP 8

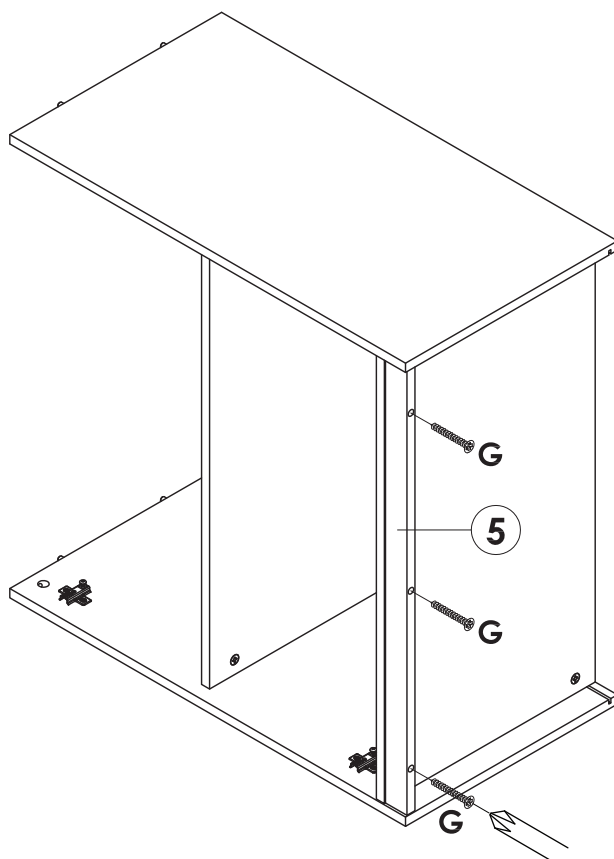
DO NOT use any power tools as this may damage the bed frame and will invalidate any claim.

Screw **(G)** onto **Front Rail (Bottom)**, tighten it up by using a Crosshead Screw Driver.

G

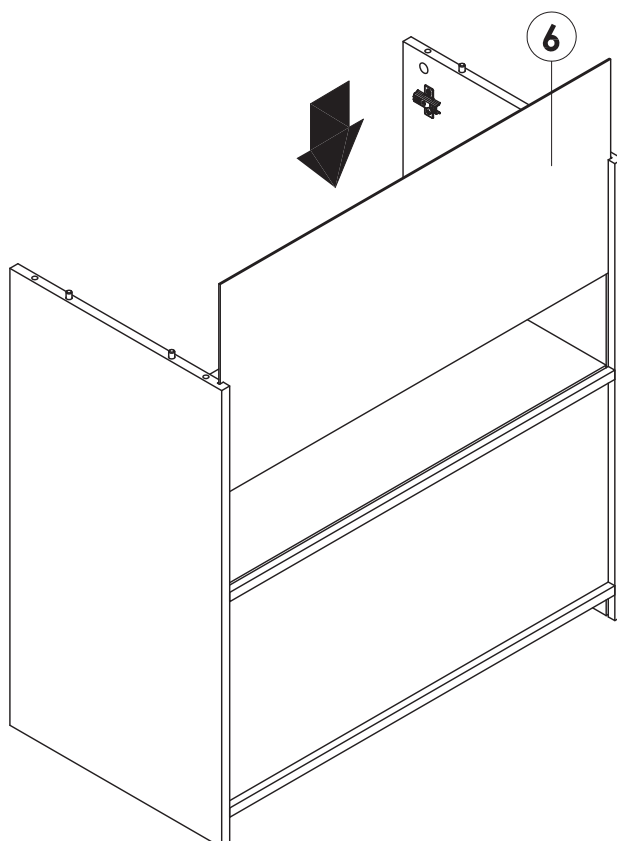


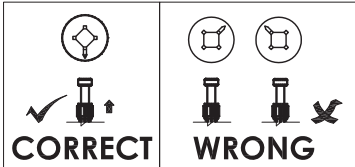
3



STEP 9

Slide down **Back Panel** onto **Side Panel (Left)** and **Side Panel (Right)** through the groove as shown on drawing.





WHEN FITTING CAMS

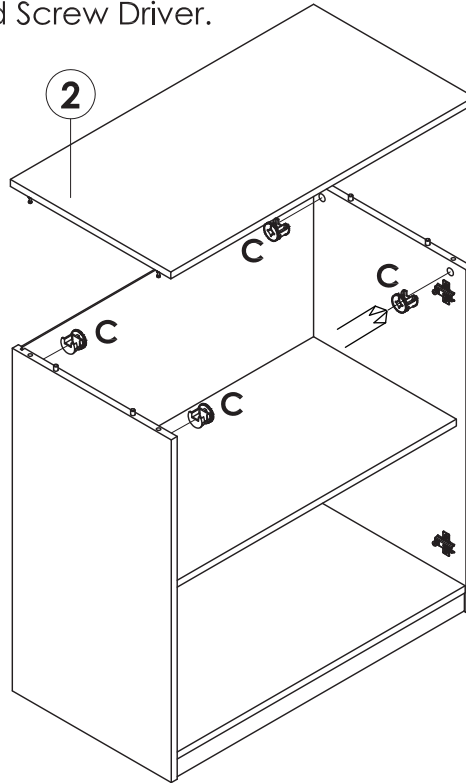
ENSURE STARTING POSITION IS CORRECT BEFORE YOU INSERT CONNECTING BOLT TURN CLOCKWISE UNTIL SECURE.

C		4
---	---	---

STEP 10

DO NOT use any power tools as this may damage the bed frame and will invalidate any claim.



Attach and secure **Top Panel** onto **Side Panel (Left)** and **Side Panel (Right)** by using **(C)**, tighten it up by using a Crosshead Screw Driver.

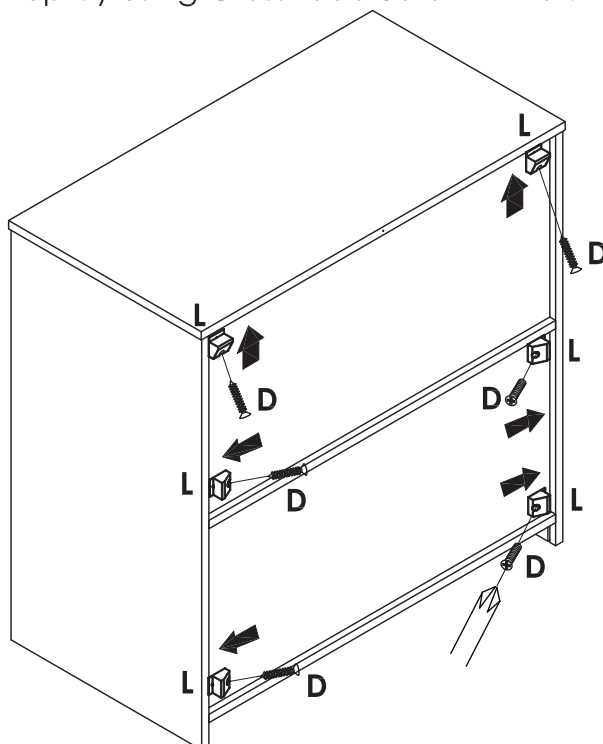


STEP 11

DO NOT use any power tools as this may damage the bed frame and will invalidate any claim.

Attach and secure **(L)** on sides pointed by arrows on the drawing as shown by using **(D)**, tighten it up by using Crosshead Screw Driver.


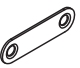

D		6
L		6

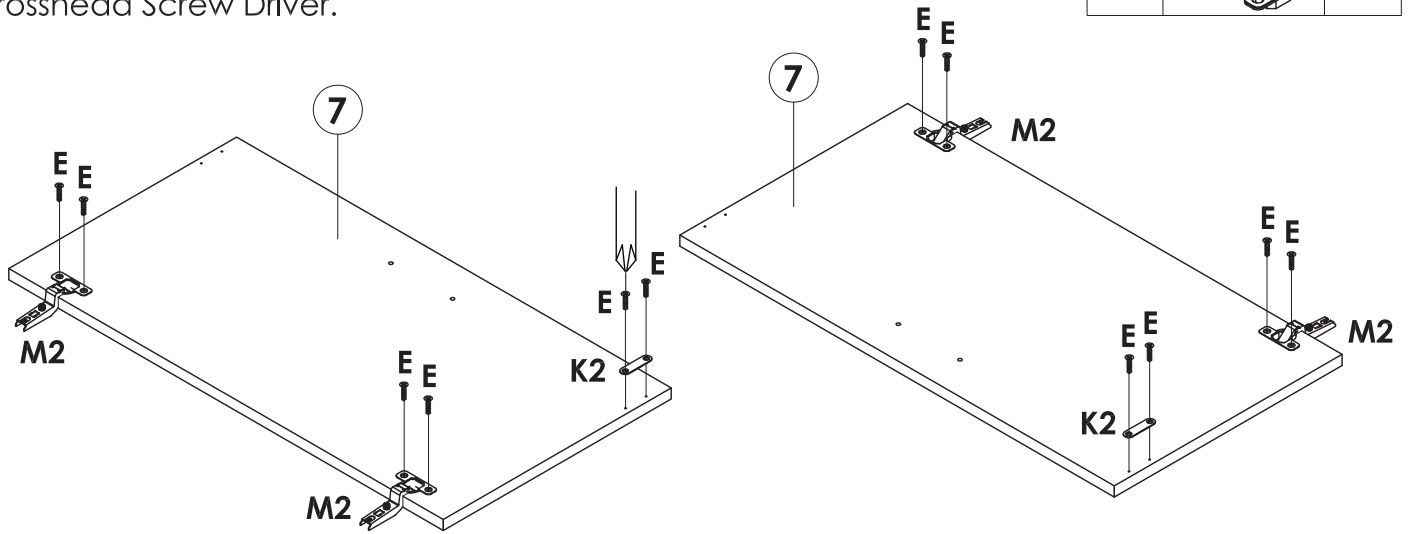


STEP 12

DO NOT use any power tools as this may damage the bed frame and will invalidate any claim.

Attach and secure **(M2)** and **(K2)** onto **Door** base on specified making holes given as shown above by using **(E)**, tighten it up by using a Crosshead Screw Driver.



E		12
K2		2
M2		4



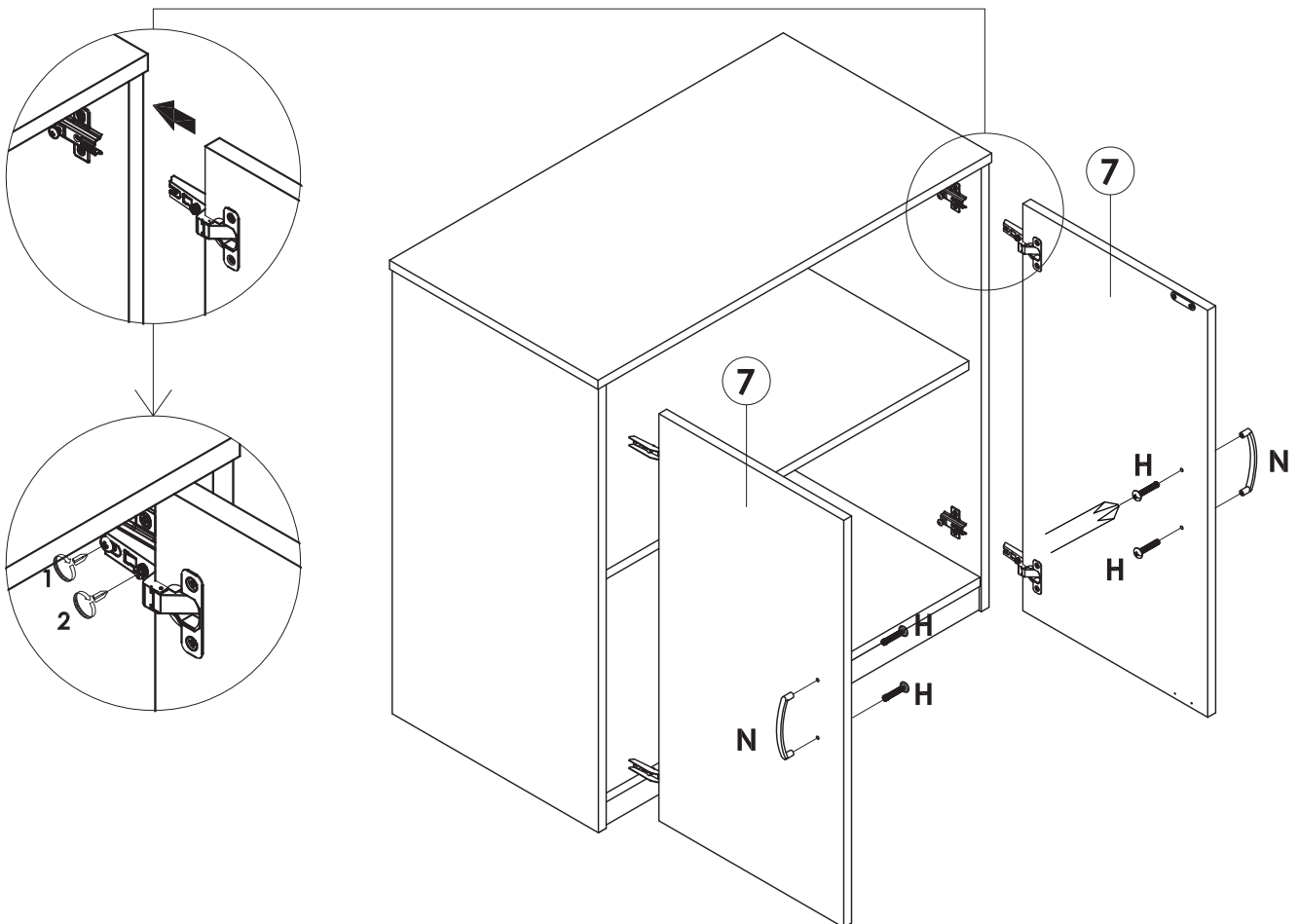
STEP 13

DO NOT use any power tools as this may damage the bed frame and will invalidate any claim.

Attach both **Door** onto assembly. Use a Crosshead Screw Driver to tighten **(1)** up. Use Crosshead Screw Driver again on **(2)** to adjust its alignment.

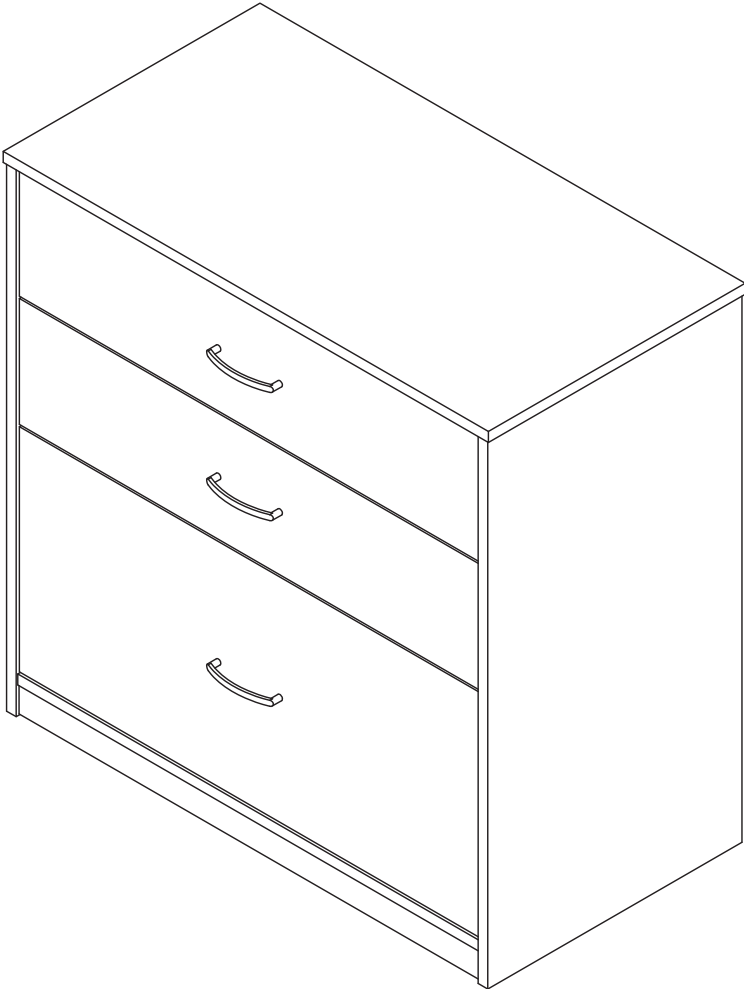
H		4
N		2

Attach and secure **(N)** onto **Door** by using **(H)**, tighten it up by using Crosshead Screw Driver.



LACY MIDSLEEPER - 3 Drawers Chest

Assembly Instructions



SAFETY ADVICE

Please take the time to carefully read through the whole of these instructions before you commence.

Keep these instructions for future reference.

Unpack, inspect and check of all of the contents.

Please dispose of all packing safely.

Small components parts could choke a child is swallowed.

We strongly recommend that you keep children well away from the work area.

It would be sensible to lay a sheet or blanket on the floor where you intend to work to avoid Scratching this product and protect your floor.

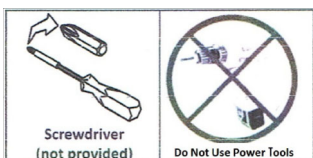
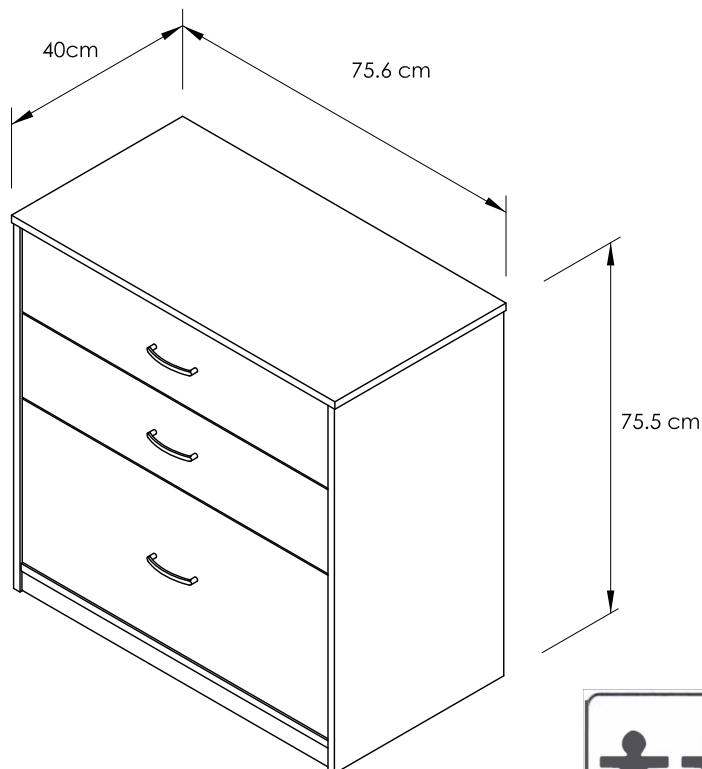
This product is heavy. Take extreme care when lifting to avoid personal injury or damage to the product.

This bed is heavy. Always lift this bed with two people.

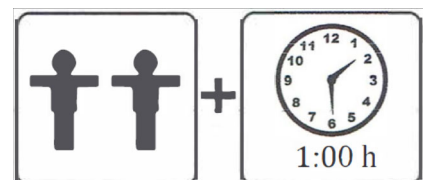
Assemble the product as close to its intended final position in the room as possible.

Keep any sharp object away from the bed frame.

HANDY HINT: If you keep the hardware in a bowl during assembly you will be less likely to lose them.



All Dimensions are approximate.



PART LIST

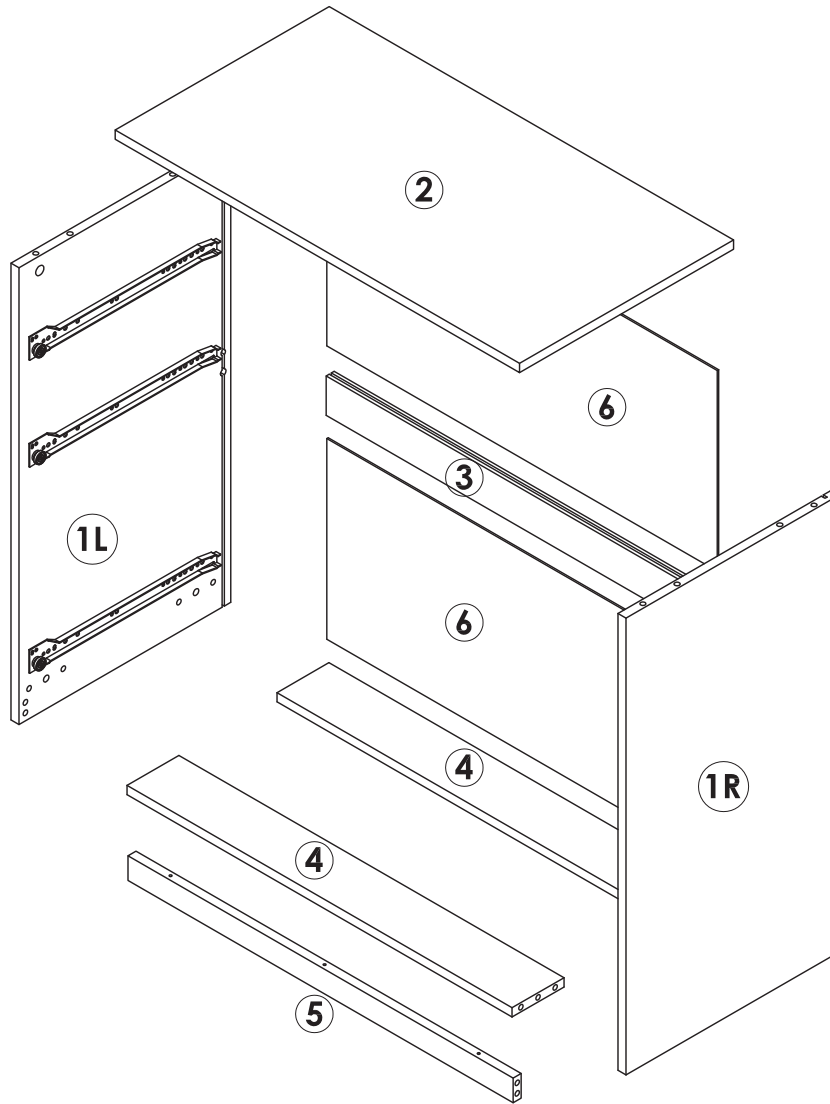
Model : LACY MIDSLEEPER - 3 Drawers Chest

Carton 3 of 5

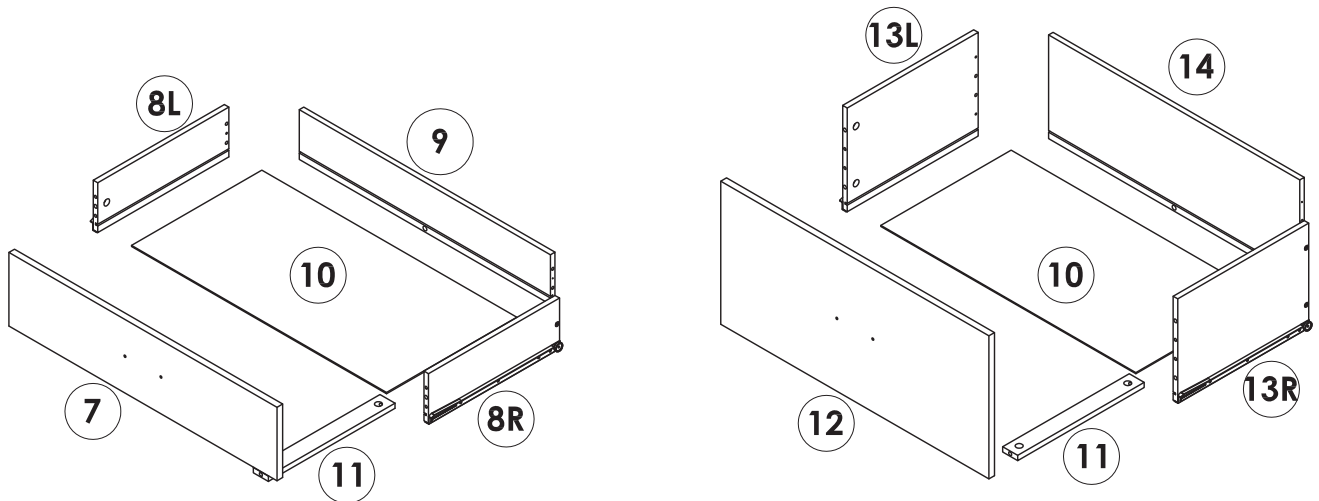
No.	Part Name	Pcs
①L	SIDE PANEL (LEFT)	1
①R	SIDE PANEL (RIGHT)	1
②	TOP PANEL	1
③	REAR RAIL	1
④	BOTTOM RAIL	2
⑤	FRONT RAIL (BOTTOM)	1
⑥	BACK PANEL	2
⑦	DRAWER FACE	2
⑧L	DRAWER SIDE (LEFT)	2
⑧R	DRAWER SIDE (RIGHT)	2
⑨	DRAWER REAR	2
⑩	DRAWER BASE	3
⑪	DRAWER BASE SUPPORT	3
⑫	DRAWER FACE	1
⑬L	DRAWER SIDE (LEFT)	1
⑬R	DRAWER SIDE (RIGHT)	1
⑭	DRAWER REAR	1
	HARDWARE BOX	1

Parts

ALL PARTS ARE LABELLED WITH NUMBER ACCORDINGLY



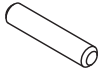
Parts (Drawers)



x2

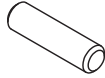
Hardware VP 311

A



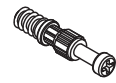
PLASTIC DOWEL (M6 x 30MM)
24 PCS

B



PLASTIC DOWEL (M8 x 30MM)
18 PCS

C



CONNECTING BOLT (24MM)
24 PCS

D



MINIFIX (9MM)
14 PCS

E



MINIFIX (12MM)
10 PCS

F



CSK C/B SCREW (M3 x 20MM)
6 PCS

G



CSK C/B SCREW (M4 x 32MM)
11 PCS

H



P/H C/B SCREW (M3.5 x 16MM)
5 PCS

J



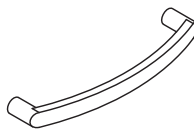
P/H M SCREW (M4 x 20MM)
6 PCS

L



PLASTIC CORNER BLOCK (ABS)
6 PCS

M



287E# 96MM ZAMAC HANDLE
3 PCS

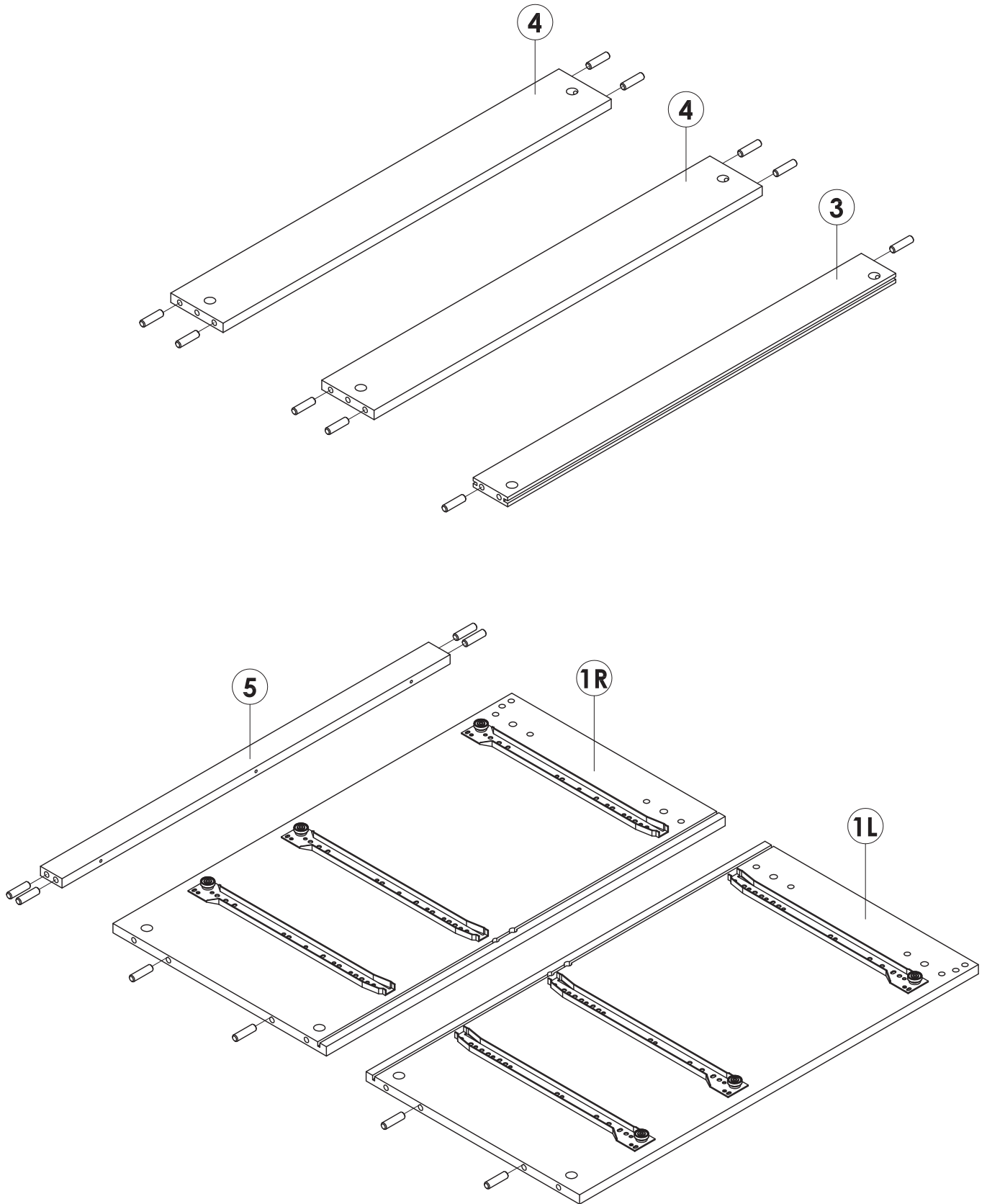
STEP 1

Insert **(B)** into $\varnothing 8\text{MM}$ holes on **Side Panel (Left)**, **Side Panel (Right)**, **Front Rail (Bottom)**, **Rear Rail** and **Bottom Rail**.

B



18

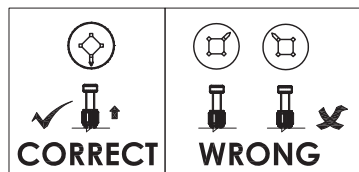
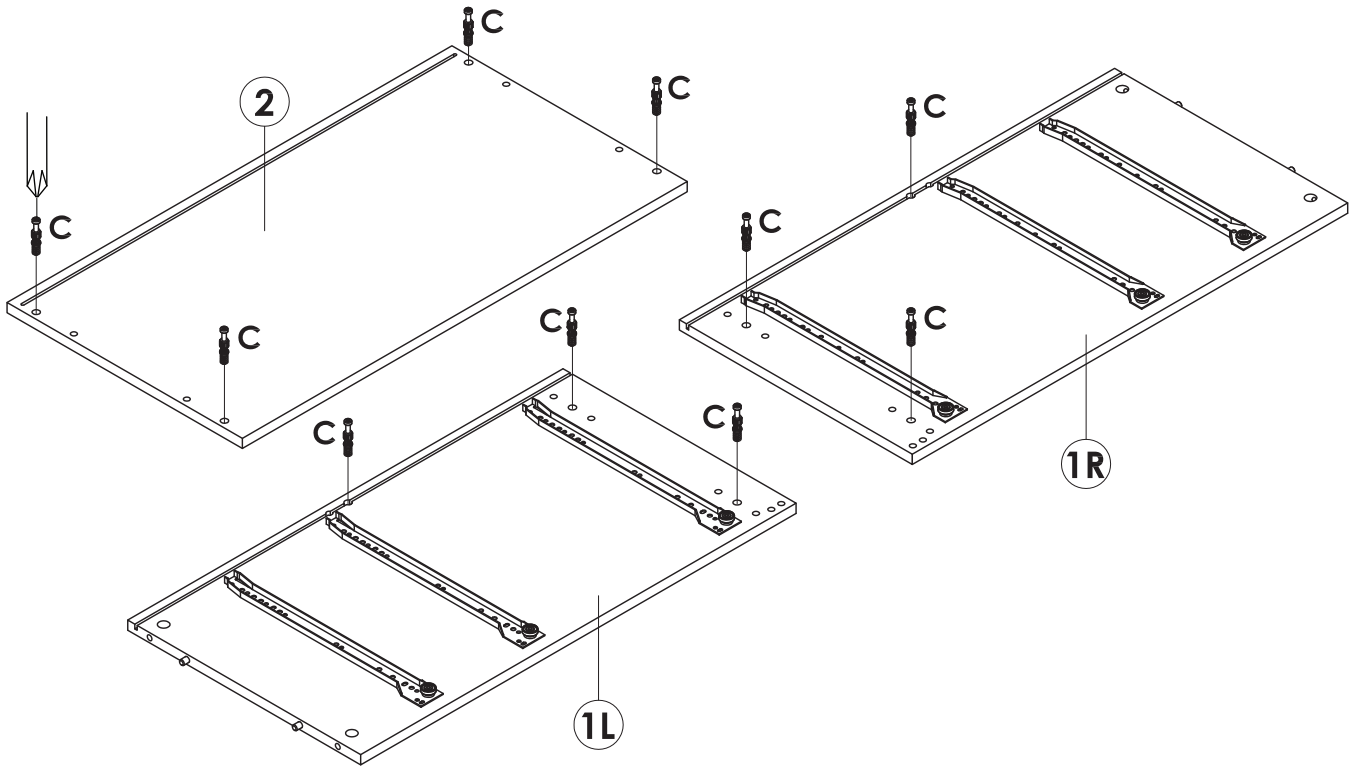


STEP 2

DO NOT use any power tools as this may damage the bed frame and will invalidate any claim.

Insert **(C)** into Ø10MM holes on **Side Panel (Left), Side Panel (Right)** and **Top Panel**, tighten it up by using Crosshead Screw Driver.

C		10
---	---	----



WHEN FITTING CAMS

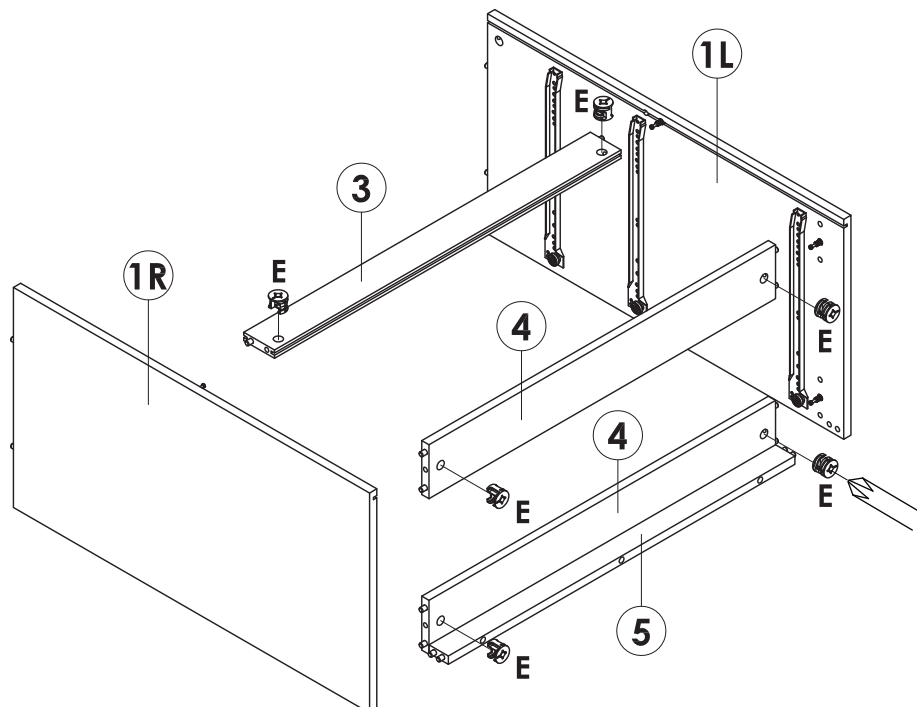
ENSURE STARTING POSITION IS CORRECT BEFORE YOU INSERT CONNECTING BOLT TURN CLOCKWISE UNTIL SECURE.

E		6
---	---	---

STEP 3

DO NOT use any power tools as this may damage the bed frame and will invalidate any claim.

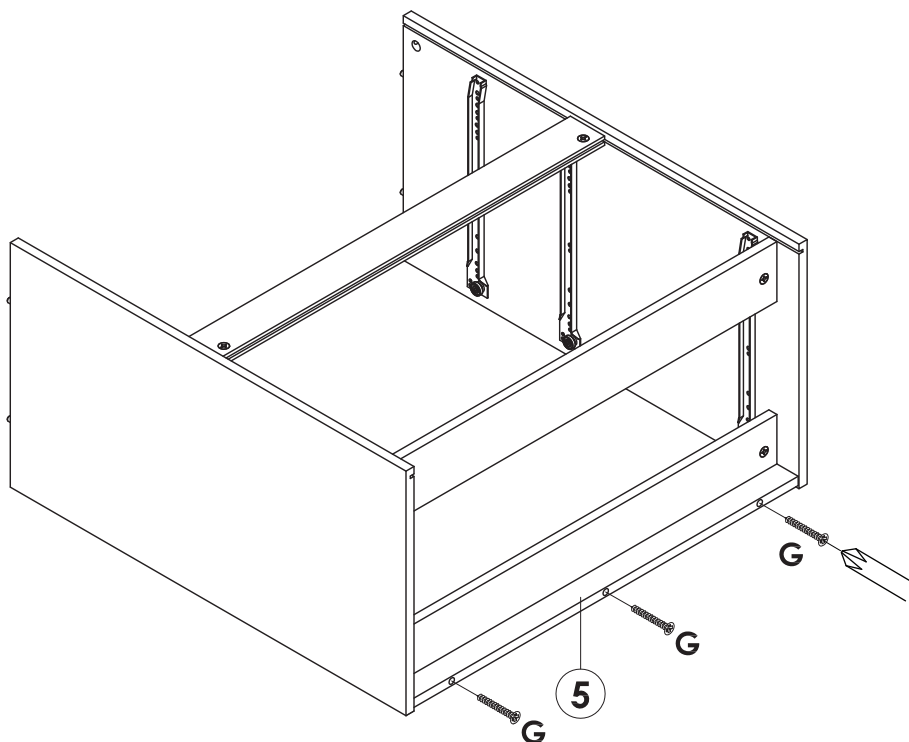
Attach and secure **Bottom Rail, Rear Rail** and **Front Rail (Bottom)** onto **Side Panel (Left), Side Panel (Right)** and insert **(E)**, tighten it up by using a Crosshead Screw Driver.



STEP 4

DO NOT use any power tools as this may damage the bed frame and will invalidate any claim.

Screw **(G)** onto **Front Rail (Bottom)**, tighten it up by using a Crosshead Screw Driver.

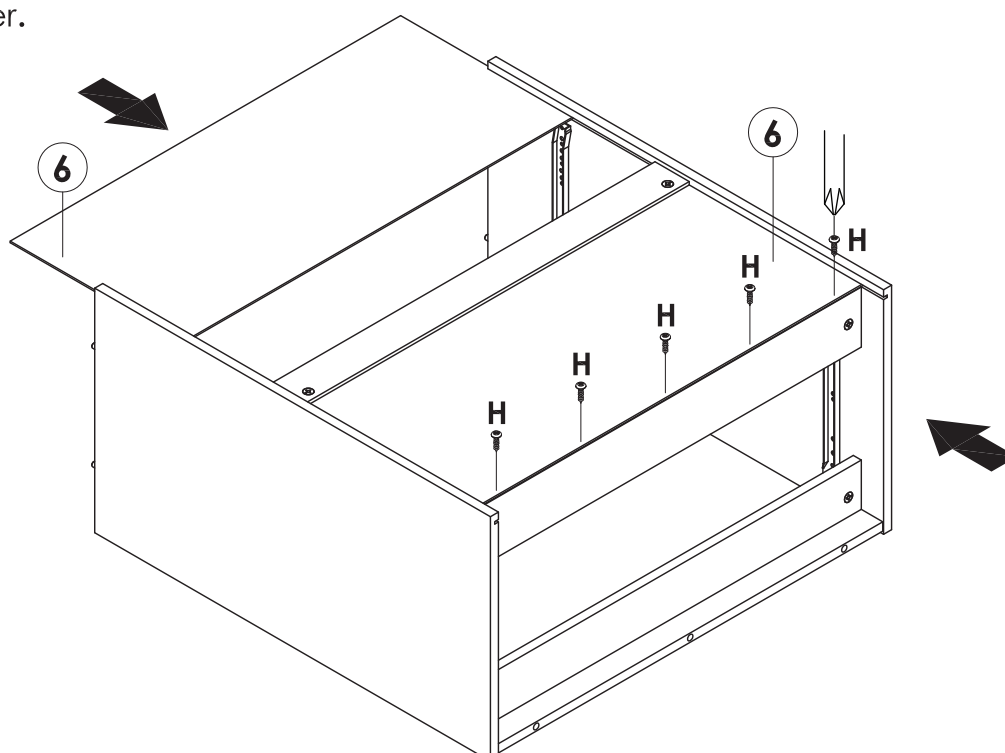


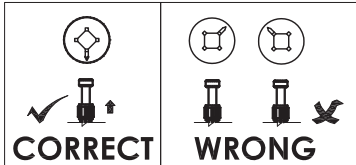
STEP 5

DO NOT use any power tools as this may damage the bed frame and will invalidate any claim.

Slide down 2 pieces **Back Panel** onto **Side Panel (Left)** and **Side Panel (Right)** through the groove as shown on drawing.

Insert **(H)** into $\text{Ø}2\text{MM}$ holes on bottom **Back Panel**, tighten it up by using Crosshead Screw Driver.





WHEN FITTING CAMS

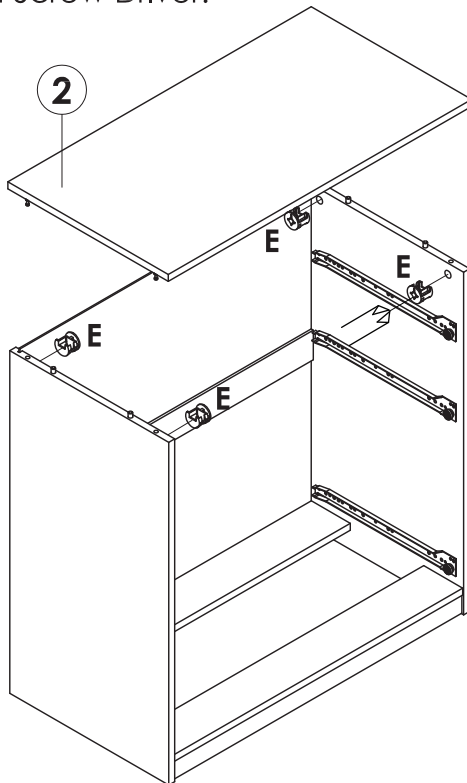
ENSURE STARTING POSITION IS CORRECT BEFORE YOU INSERT CONNECTING BOLT TURN CLOCKWISE UNTIL SECURE.

E		4
---	---	---

STEP 6

DO NOT use any power tools as this may damage the bed frame and will invalidate any claim.



Attach and secure **Top Panel** onto **Side Panel (Left)** and **Side Panel (Right)** by using **(E)**, tighten it up by using a Crosshead Screw Driver.

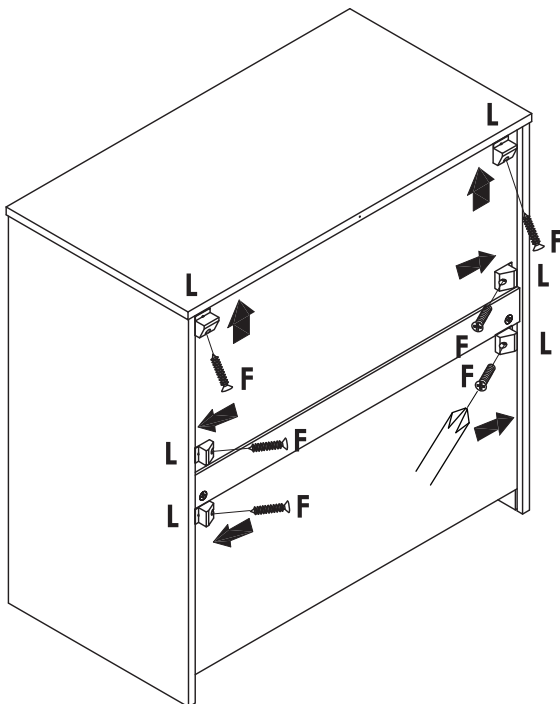


STEP 7

DO NOT use any power tools as this may damage the bed frame and will invalidate any claim.

Attach and secure **(L)** on sides pointed by arrows on the drawing as shown by using **(F)**, tighten it up by using Crosshead Screw Driver.



F		6
L		6



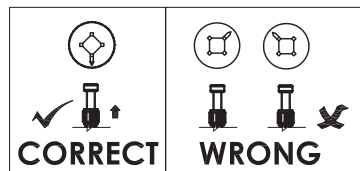
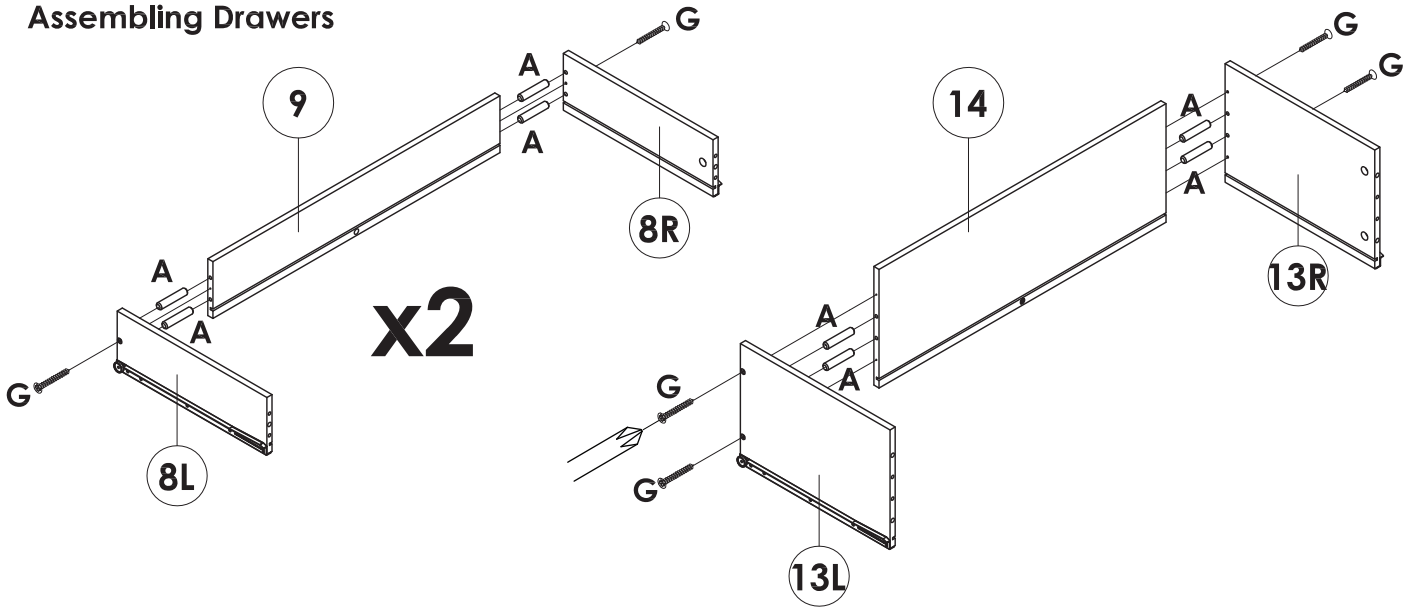
STEP 8

DO NOT use any power tools as this may damage the bed frame and will invalidate any claim.

Attach and secure **Drawer Side (Left)** and **Drawer Side (Right)** onto **Drawer Rear** by using **(A)** and **(G)**, tighten it up by using a Crosshead Screw Driver.



A		12
G		8

Assembling Drawers



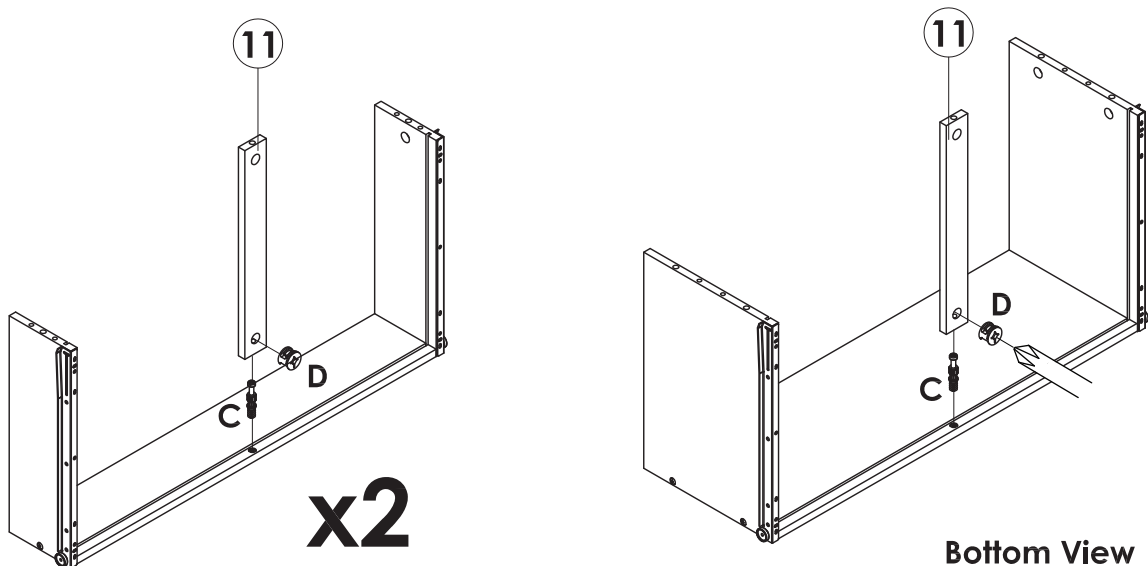
WHEN FITTING CAMS

ENSURE STARTING POSITION IS CORRECT BEFORE YOU INSERT CONNECTING BOLT TURN CLOCKWISE UNTIL SECURE.

C		3
D		3

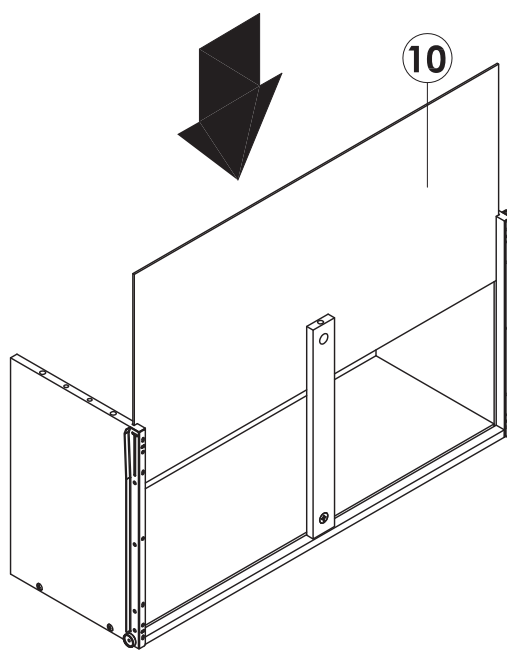
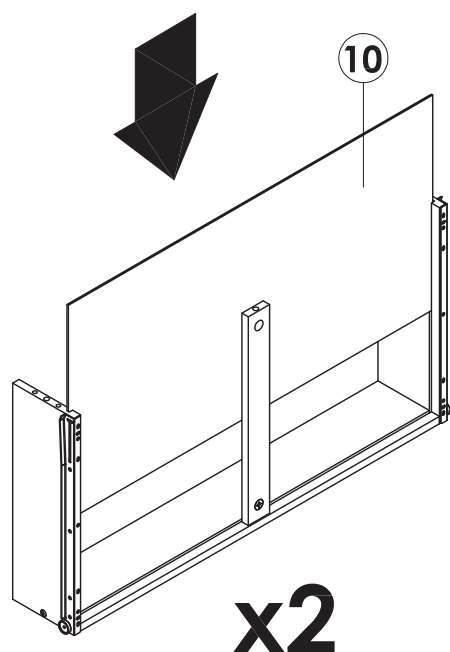
STEP 9

DO NOT use any power tools as this may damage the bed frame and will invalidate any claim. Attach and Secure **Drawer Support (Base)** onto **Drawer Rear**, by using **(C)** and **(D)**, tighten it up by using crosshead screw driver.



STEP 10

Slot **Drawer Base** into **Drawer Side (Left)** and **Drawer Side (Right)**.

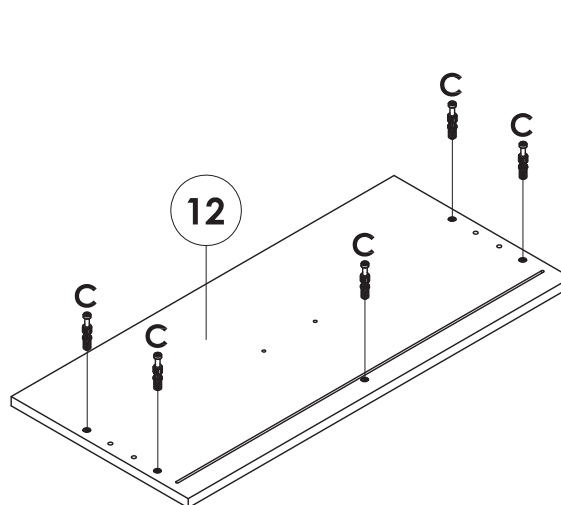
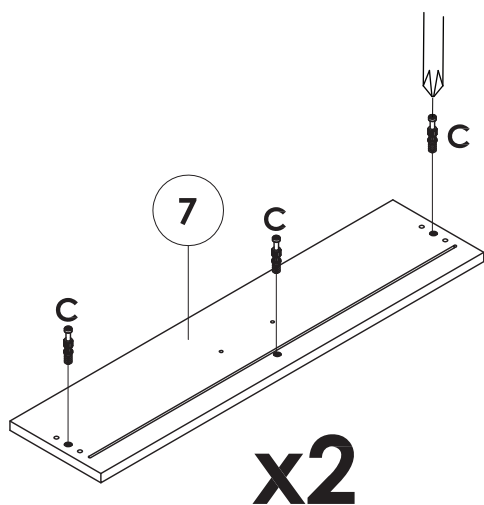


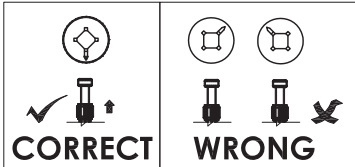
Bottom View

STEP 11

DO NOT use any power tools as this may damage the bed frame and will invalidate any claim.

Insert **(C)** into $\text{\O}10\text{MM}$ holes on **Drawer Face** by using crosshead screw driver.





WHEN FITTING CAMS

ENSURE STARTING POSITION IS CORRECT BEFORE YOU INSERT CONNECTING BOLT TURN CLOCKWISE UNTIL SECURE.

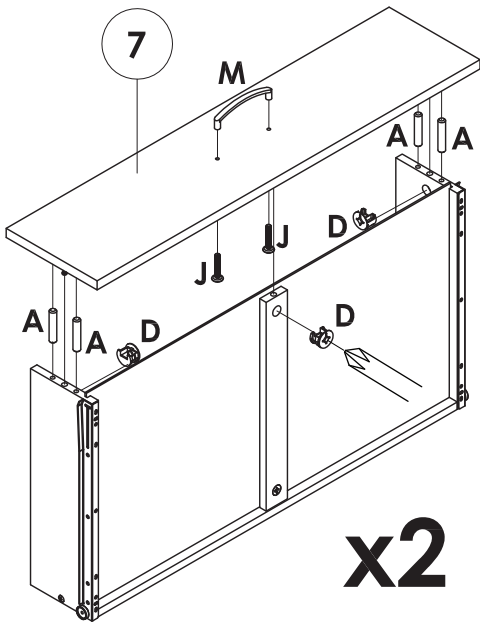
A		12
D		11
J		6
M		3

STEP 12

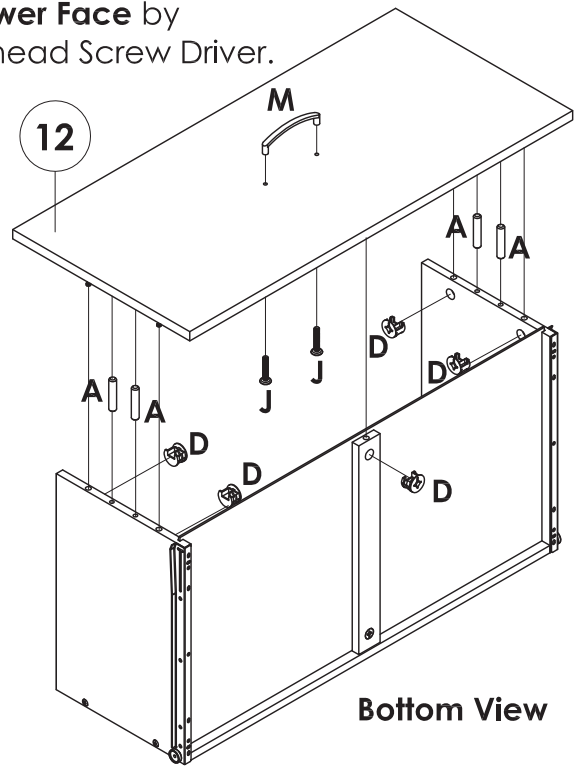
DO NOT use any power tools as this may damage the bed frame and will invalidate any claim.

Attach and Secure **Drawer Face** onto **Drawer Side (Left)** and **Drawer Side (Right)**, by using **(A)** and **(D)**, tighten it up by using crosshead screw driver.

Follow that up by attaching and securing **(M)** onto **Drawer Face** by screwing **(J)** in from behind, tighten it up by using Crosshead Screw Driver.



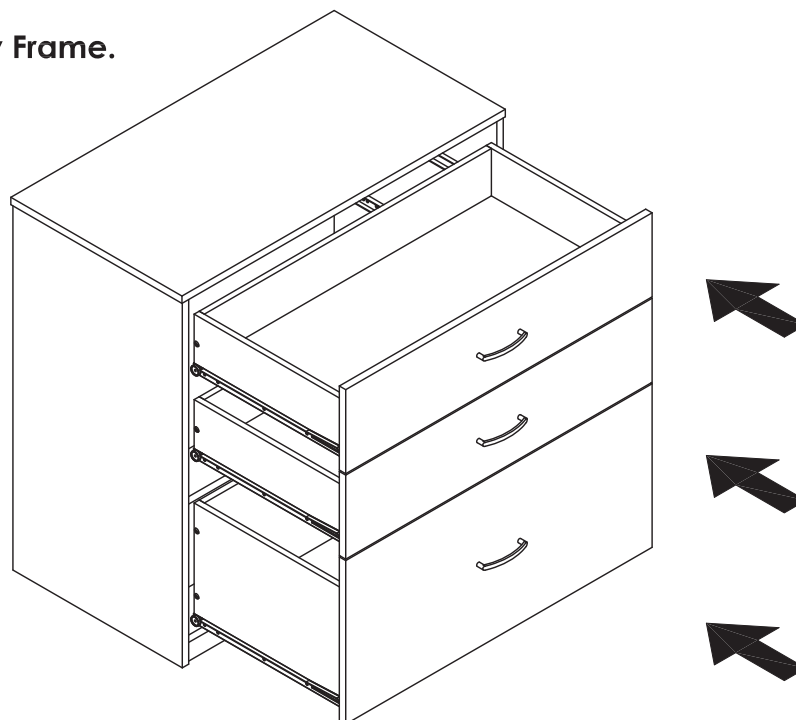
x2



Bottom View

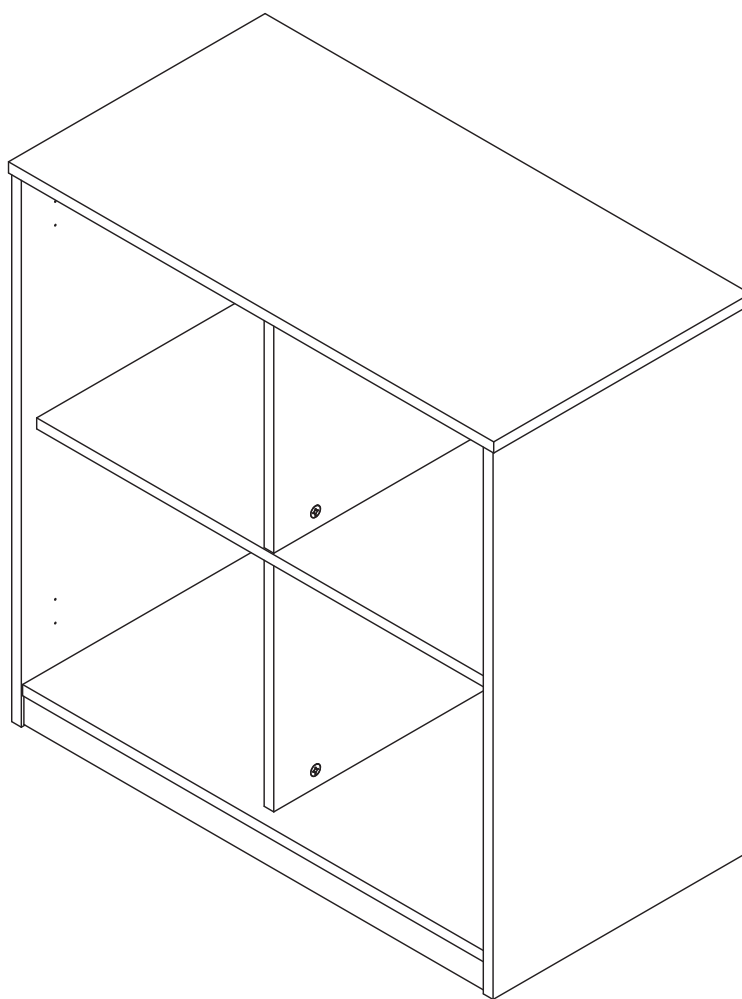
STEP 13

Insert **Drawers** into **Body Frame**.



LACY MIDSLEEPER - QUAD UNIT

Assembly Instructions



SAFETY ADVICE

Please take the time to carefully read through the whole of these instructions before you commence.

Keep these instructions for future reference.

Unpack, inspect and check of all of the contents.

Please dispose of all packing safely.

Small components parts could choke a child is swallowed.

We strongly recommend that you keep children well away from the work area.

It would be sensible to lay a sheet or blanket on the floor where you intend to work to avoid Scratching this product and protect your floor.

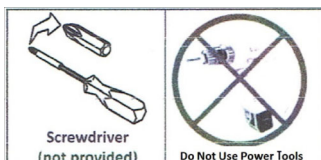
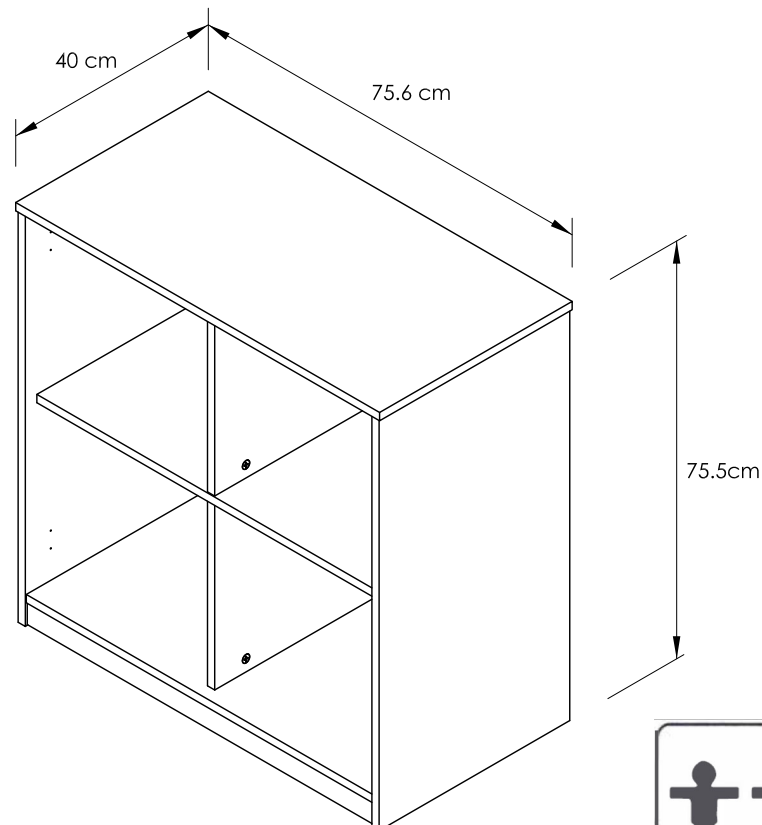
This product is heavy. Take extreme care when lifting to avoid personal injury or damage to the product.

This bed is heavy. Always lift this bed with two people.

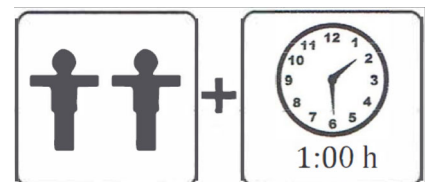
Assemble the product as close to its intended final position in the room as possible.

Keep any sharp object away from the bed frame.

HANDY HINT: If you keep the hardware in a bowl during assembly you will be less likely to lose them.



All Dimensions are approximate.



PART LIST

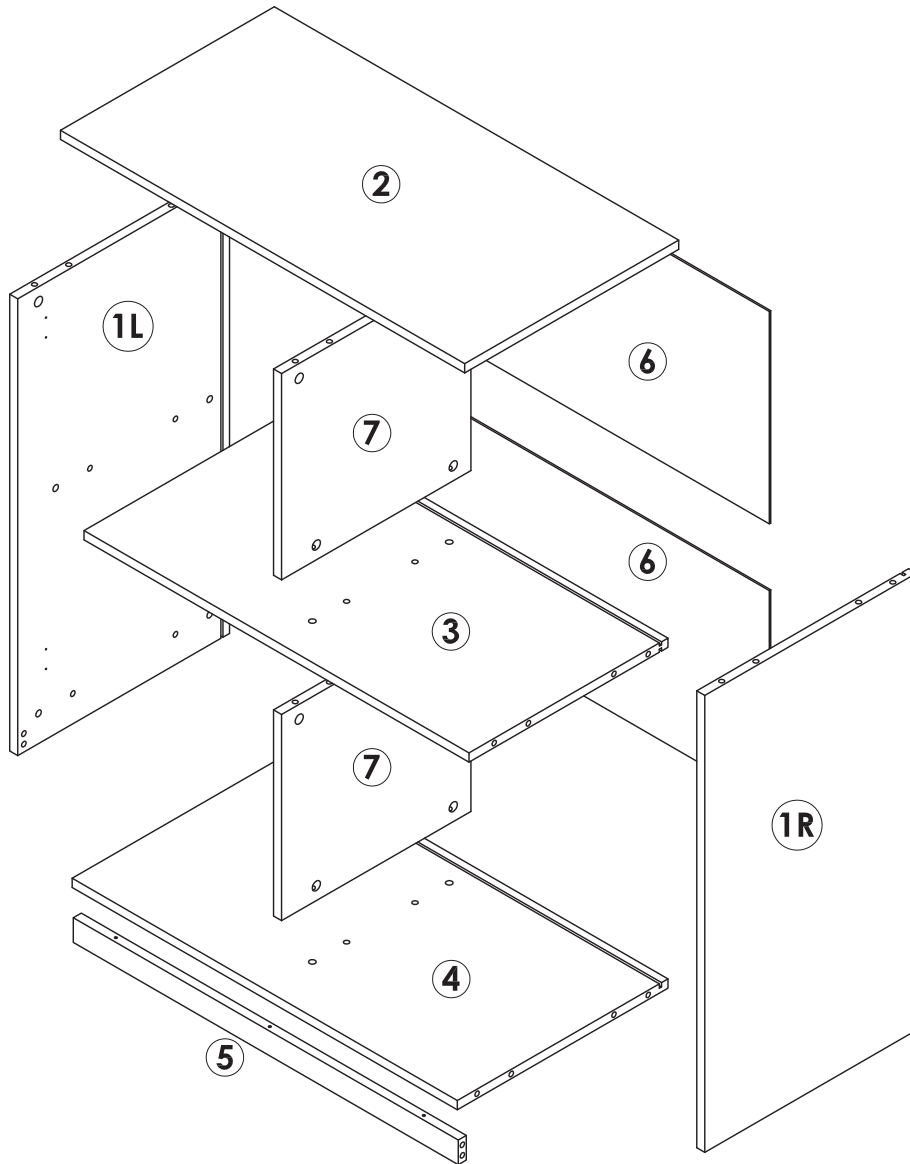
Model : LACY MIDSLEEPER - QUAD UNIT

Carton 5 of 5

No.	Part Name	Pcs
①L	SIDE PANEL (LEFT)	1
①R	SIDE PANEL (RIGHT)	1
②	TOP PANEL	1
③	TOP SHELF	1
④	BOTTOM SHELF	1
⑤	FRONT RAIL (BOTTOM)	1
⑥	BACK PANEL	2
⑦	DIVIDER	2
	HARDWARE BOX	1

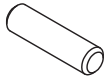
Parts

ALL PARTS ARE LABELLED WITH NUMBER ACCORDINGLY



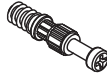
Hardware VP 313

A



PLASTIC DOWEL (M8 x 30MM)
24 PCS

B



CONNECTING BOLT (24MM)
20 PCS

C



MINIFIX (12MM)
20 PCS

D



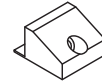
CSK C/B SCREW (M3 x 20MM)
6 PCS

E



CSK C/B SCREW (M4 x 32MM)
3 PCS


G

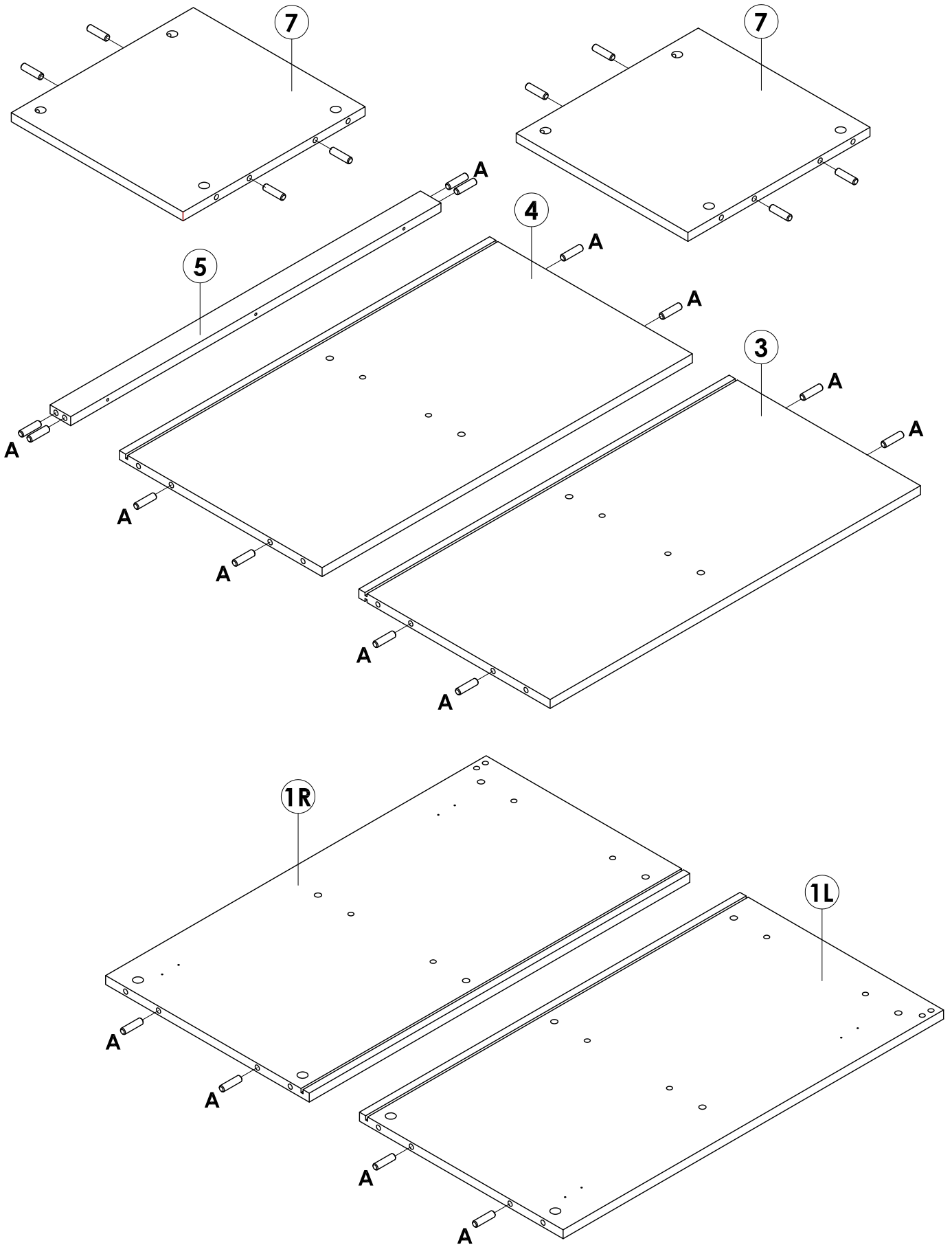


PLASTIC CORNER BLOCK (ABS)
6 PCS

STEP 1

Insert **(A)** into $\varnothing 8\text{MM}$ holes on **Side Panel (Left)**, **Side Panel (Right)**, **Top Shelf**, **Bottom Shelf**, **Front Rail (Bottom)** and **Divider**.

A		24
----------	---	-----------

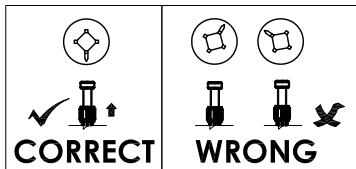
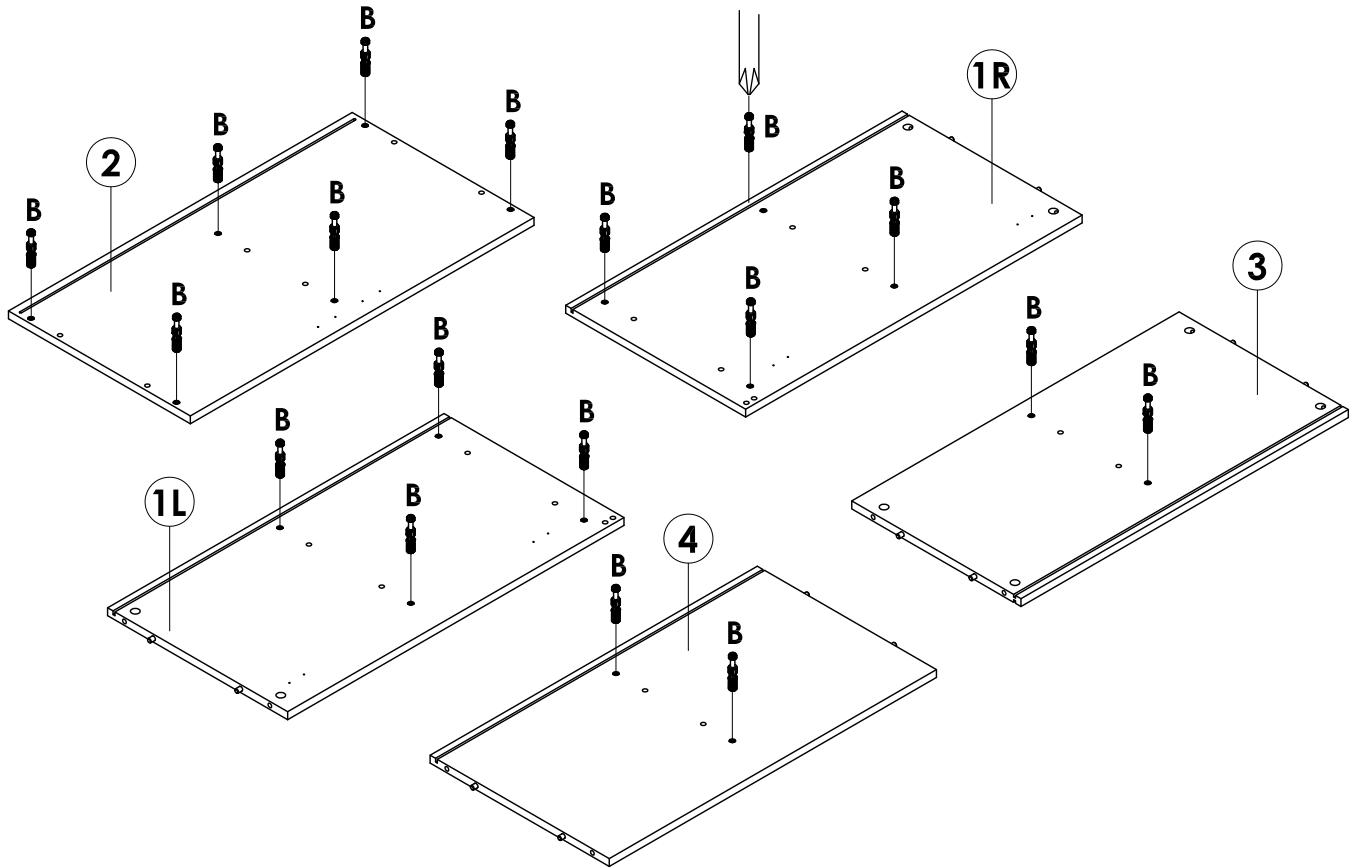


STEP 2

DO NOT use any power tools as this may damage the bed frame and will invalidate any claim.



Insert **(B)** into $\varnothing 10\text{MM}$ holes on **Top Panel, Side Panel (Left), Side Panel (Right), Top Shelf** and **Bottom Shelf**, tighten it up by using Crosshead Screw Driver.

B		18
---	---	----



WHEN FITTING CAMS

ENSURE STARTING POSITION IS CORRECT BEFORE YOU INSERT CONNECTING BOLT TURN CLOCKWISE UNTIL SECURE.

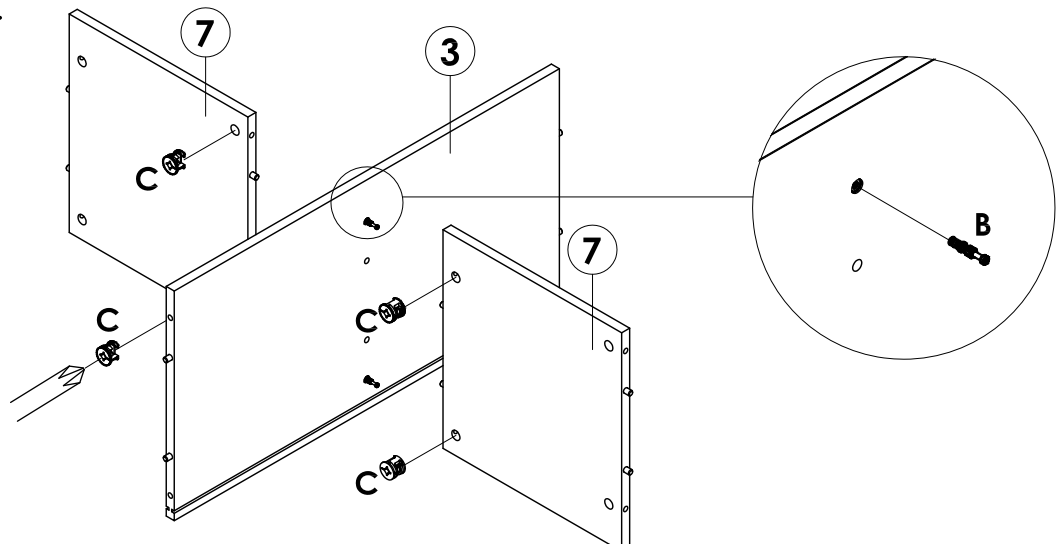
B		2
C		4

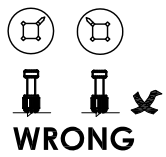
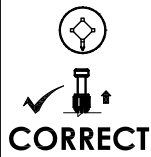
STEP 3

DO NOT use any power tools as this may damage the bed frame and will invalidate any claim.

Insert **(F)** and **(B)** into $\varnothing 10\text{MM}$ holes on **Top Shelf**.

Attach and secure **Divider** onto **Top Shelf** by using **(C)**, tighten it up by using a Crosshead Screw Driver.





WHEN FITTING CAMS

ENSURE STARTING POSITION IS CORRECT BEFORE YOU INSERT CONNECTING BOLT TURN CLOCKWISE UNTIL SECURE.

C

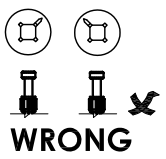
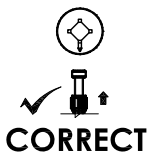
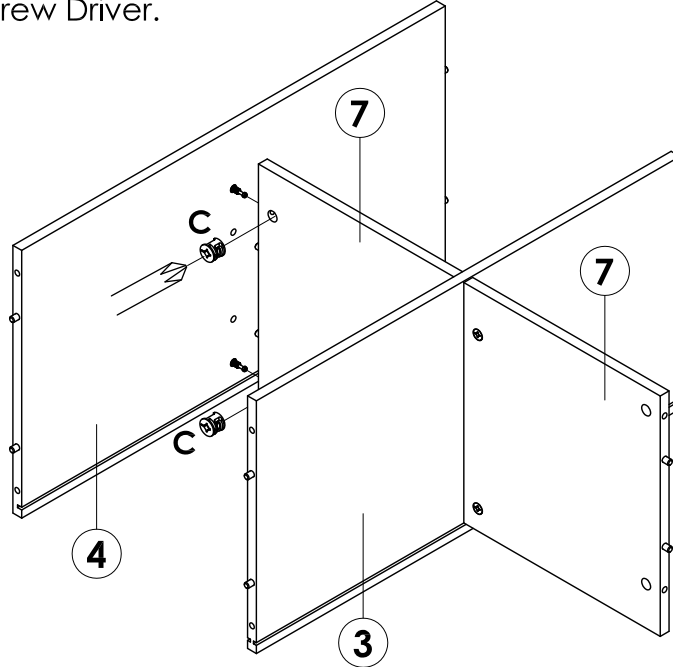


2

STEP 4

DO NOT use any power tools as this may damage the bed frame and will invalidate any claim.

Attach and secure **Divider** and **Top Shelf** onto **Bottom Shelf** by using (C), tighten it up by using a Crosshead Screw Driver.



WHEN FITTING CAMS

ENSURE STARTING POSITION IS CORRECT BEFORE YOU INSERT CONNECTING BOLT TURN CLOCKWISE UNTIL SECURE.

C

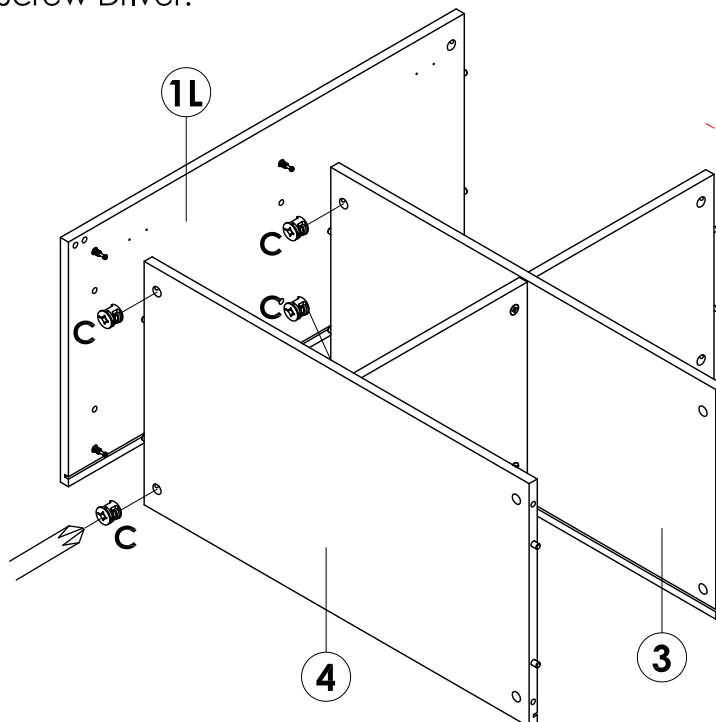


4

STEP 5

DO NOT use any power tools as this may damage the bed frame and will invalidate any claim.

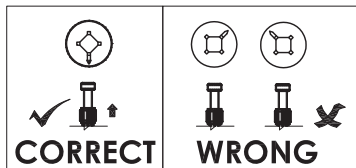
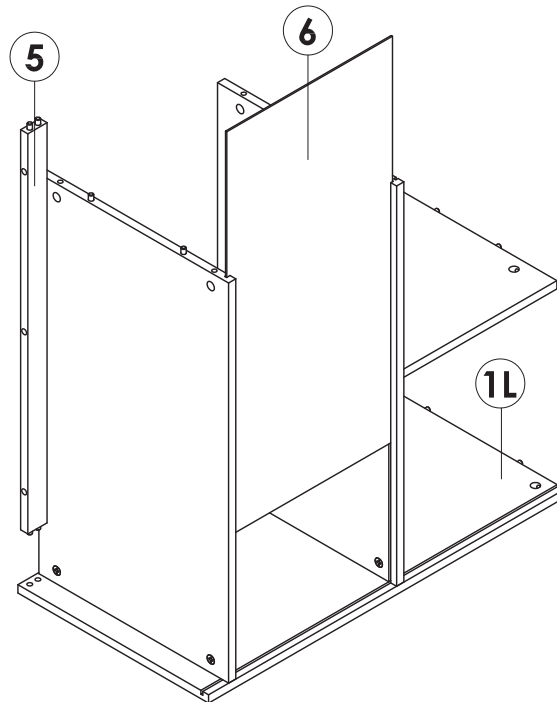
Attach and secure **Side Panel (Left)** onto **Top Shelf** and **Bottom Shelf** by using (C), tighten it up by using a Crosshead Screw Driver.



STEP 6

Attach and secure **Front Rail (Bottom)** onto **Side Panel (Left)**.

Slide down **Back Panel** onto **Top Shelf** and **Bottom Shelf** through the groove as shown on drawing.



WHEN FITTING CAMS

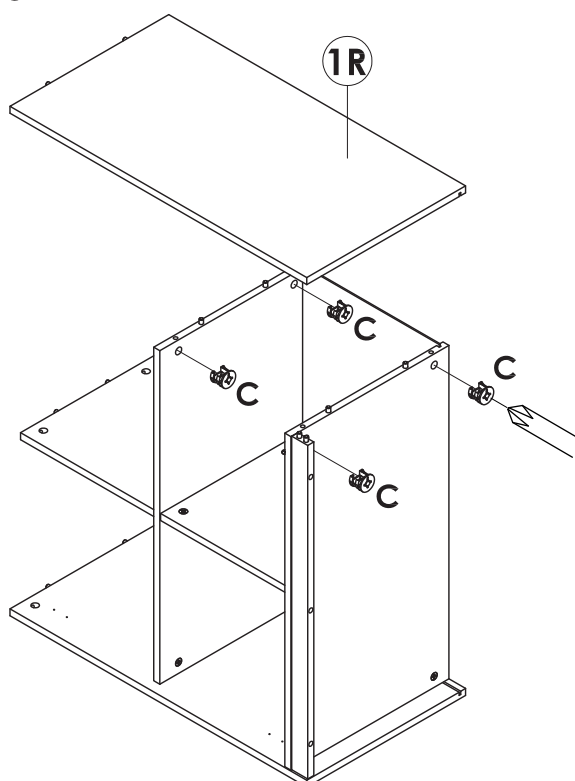
ENSURE STARTING POSITION IS CORRECT BEFORE YOU INSERT CONNECTING BOLT TURN CLOCKWISE UNTIL SECURE.



STEP 7

DO NOT use any power tools as this may damage the bed frame and will invalidate any claim.

Attach and secure **Side Panel (Right)** onto **Top Shelf**, **Bottom Shelf** and **Front Rail (Bottom)** by using **(C)**, tighten it up by using a Crosshead Screw Driver.

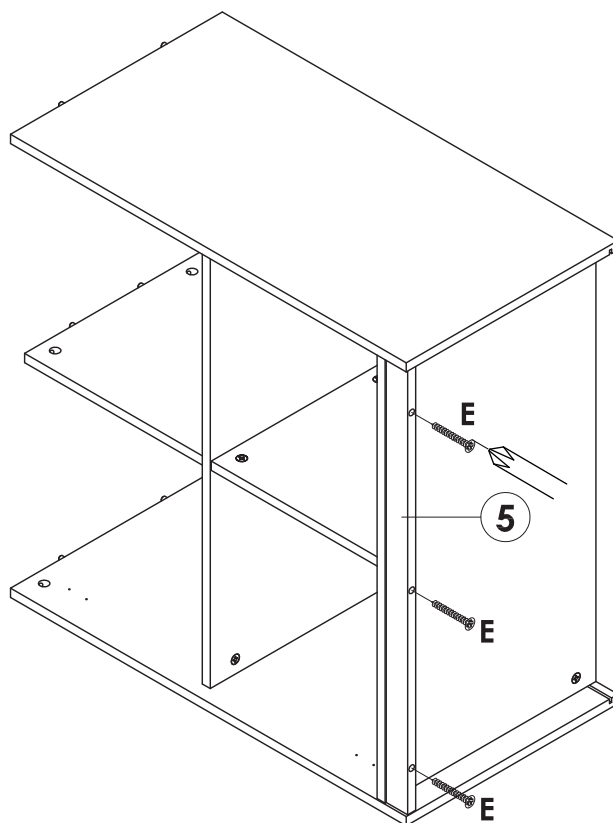


STEP 8

DO NOT use any power tools as this may damage the bed frame and will invalidate any claim.

Screw **(E)** onto **Front Rail (Bottom)**, tighten it up by using a Crosshead Screw Driver.

E		3
---	---	---



STEP 9

Slide down **Back Panel** onto **Side Panel (Left)** and **Side Panel (Right)** through the groove as shown on drawing.

