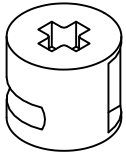


Hardware

(A)



Cam
20PCS

(B)



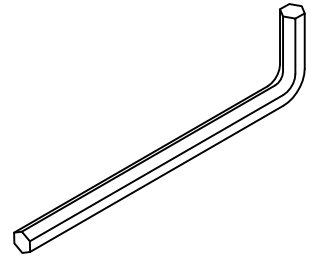
Cam Stud
20PCS

(C)



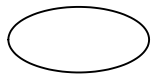
M8 x 30mm
32PCS

(D)



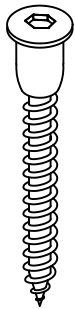
M4 Allen key
1PC

(E)



Round Sticker
30PCS

(F)



Unitar Screw
M6 x 40mm
2PCS

(G)



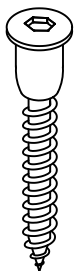
JCBC W SCREW
M6 X 30MM
32PCS

(H)



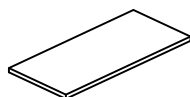
Unitar JCBC Screw
M6 x 55mm
8PCS

(I)



Unitar Screw
M6 x 50mm
8PCS

(J)



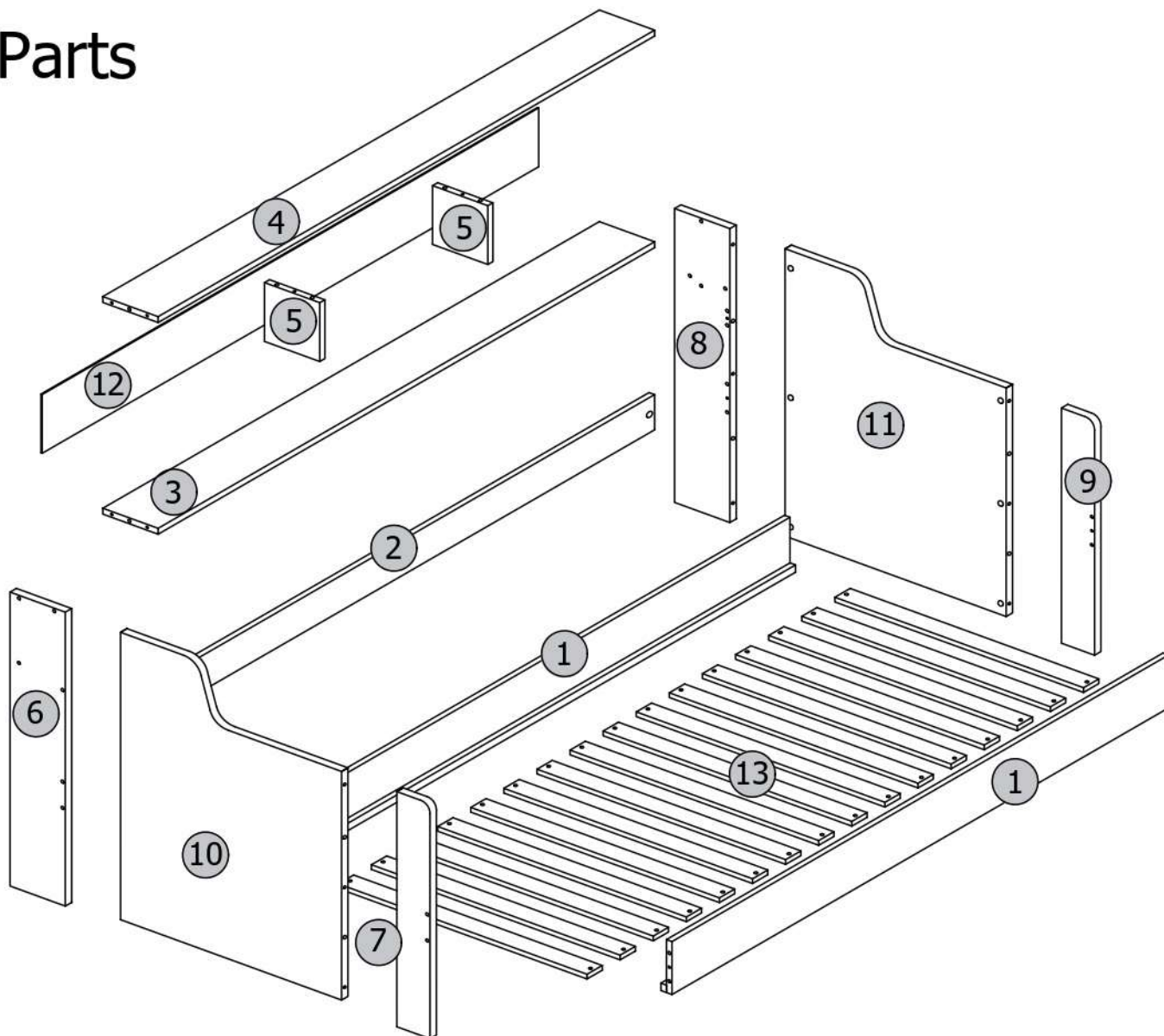
FELT PAD
4PCS

(K)



CSK SCREW
M3.5 X 16MM
18PCS

Parts

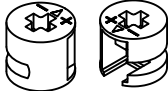

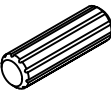


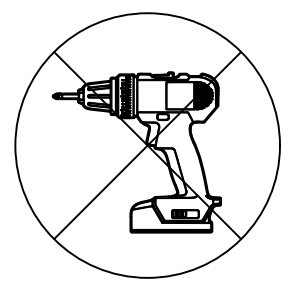
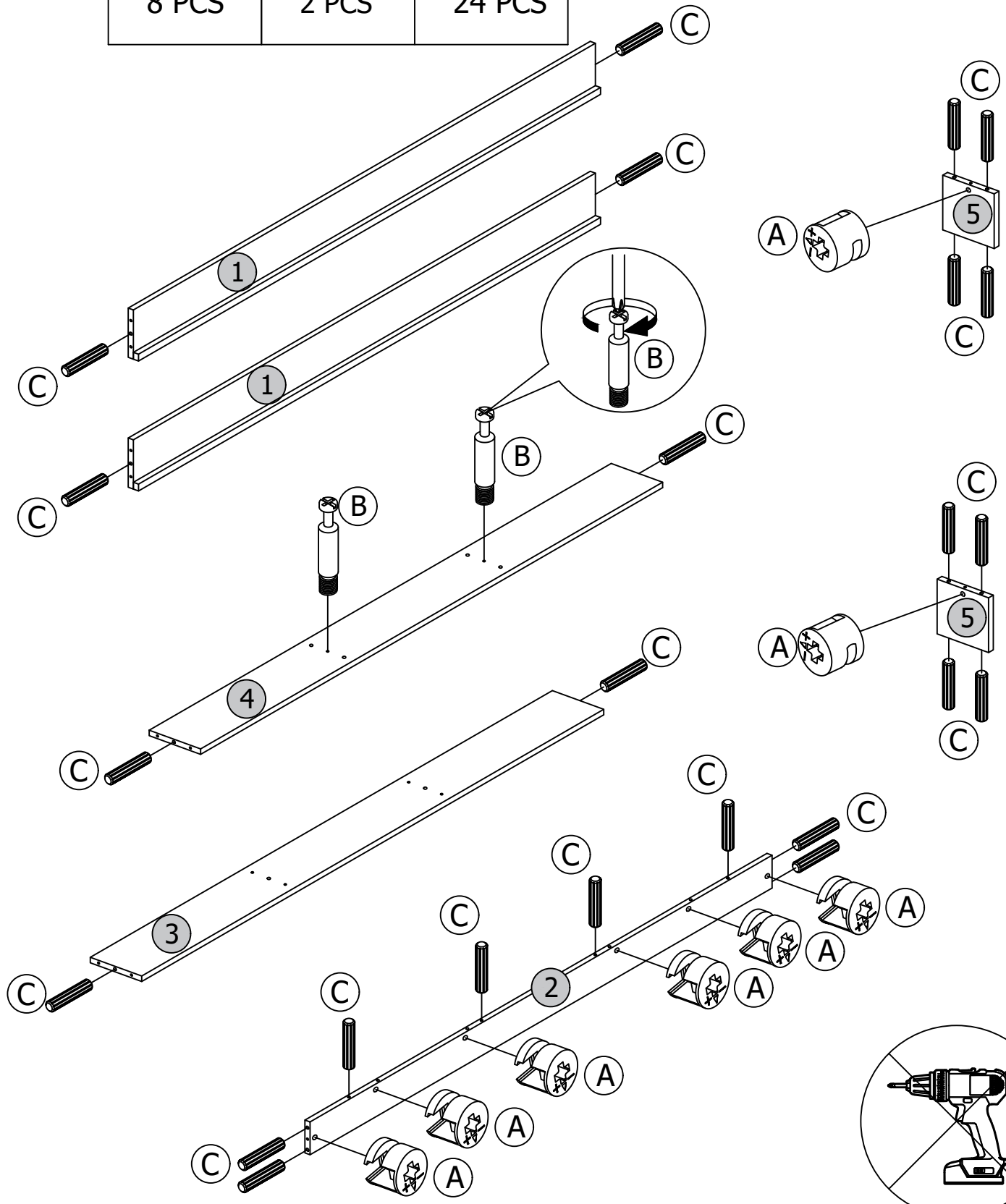
ALL PARTS ARE NUMBERED ACCORDINGLY

CARTON 1 OF 2		
NO	PART NAME	QTY
1	Side rail	2
2	Side panel	1
3	Shelf panel	1
4	Top panel	1
12	Back panel	1
Hardware + Assembly Instruction		

CARTON 2 OF 2		
NO	PART NAME	QTY
5	Divider	2
6	Left frame panel	1
7	Left leg panel	1
8	Right frame panel	1
9	Right leg panel	1
10	Left end panel	1
11	Right end panel	1
13	LVL slats	16

Step 1

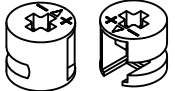
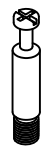
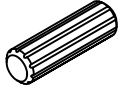
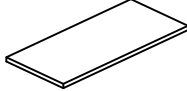
		
A	B	C
8 PCS	2 PCS	24 PCS

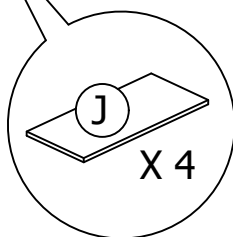
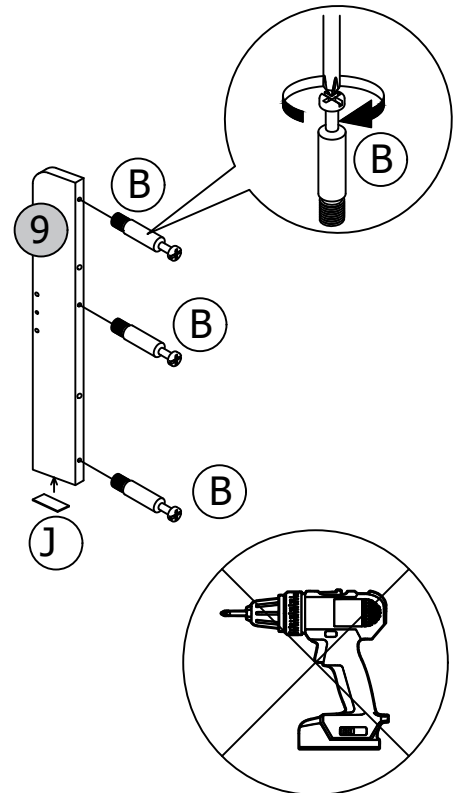
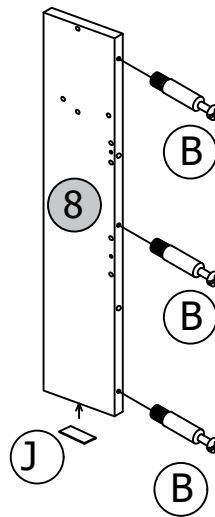
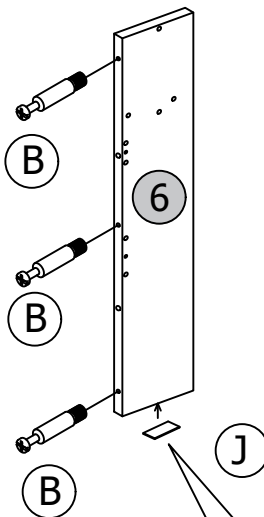
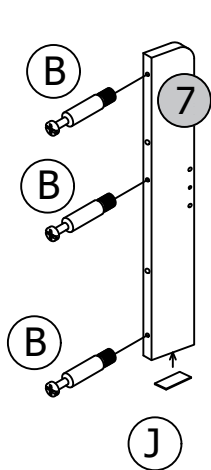
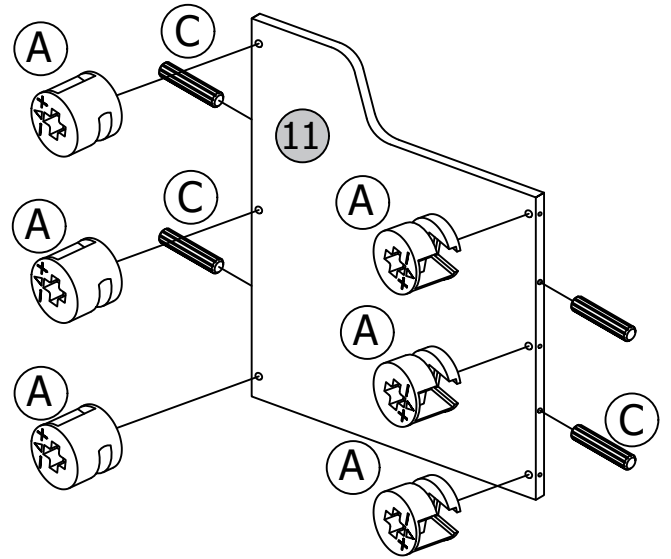
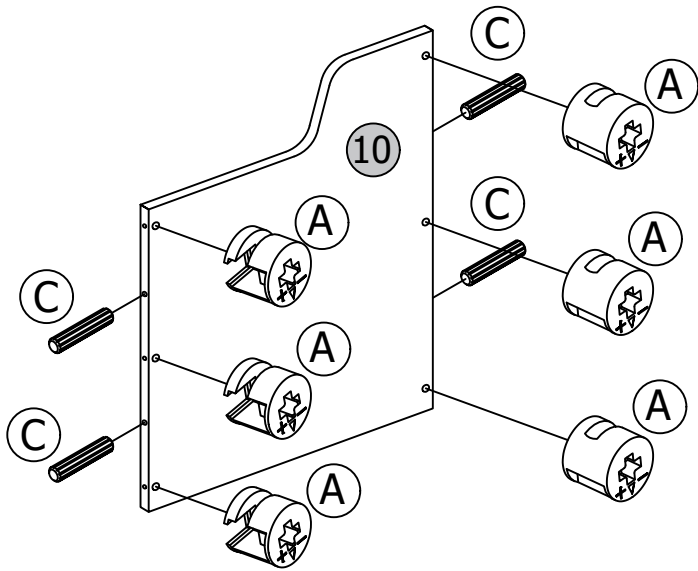


DO NOT USE POWER TOOLS

DO NOT USE POWER TOOLS AS THIS MAY DAMAGE THE FRAME AND WILL INVALIDATE ANY CLAIM.

Step 2

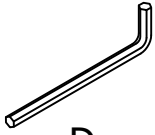
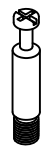
			
A	B	C	J
12 PCS	12 PCS	8 PCS	4 PCS








DO NOT USE POWER TOOLS AS THIS MAY DAMAGE THE FRAME AND WILL INVALIDATE ANY CLAIM.

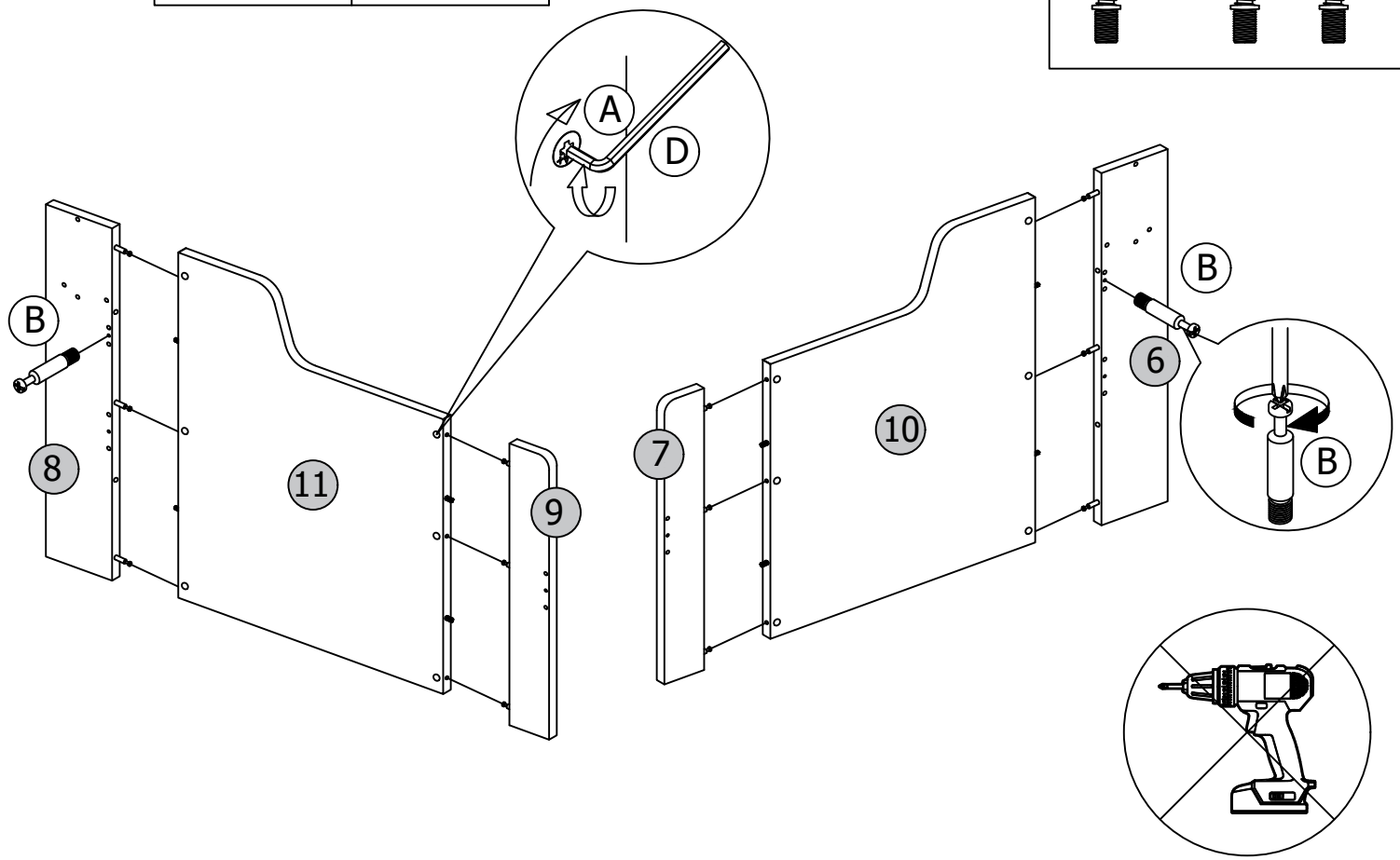
DO NOT USE POWER TOOLS

Step 3

	
D	B
1 PC	2 PCS

WHEN FITTING CAMS
 ENSURE STARTING POSITION IS CORRECT
 BEFORE YOU INSERT CONNECTING BOLT
 TURN CLOCKWISE UNTIL SECURE

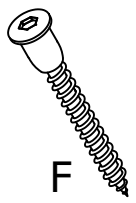
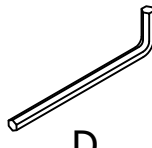
CORRECT 	WRONG 	
		

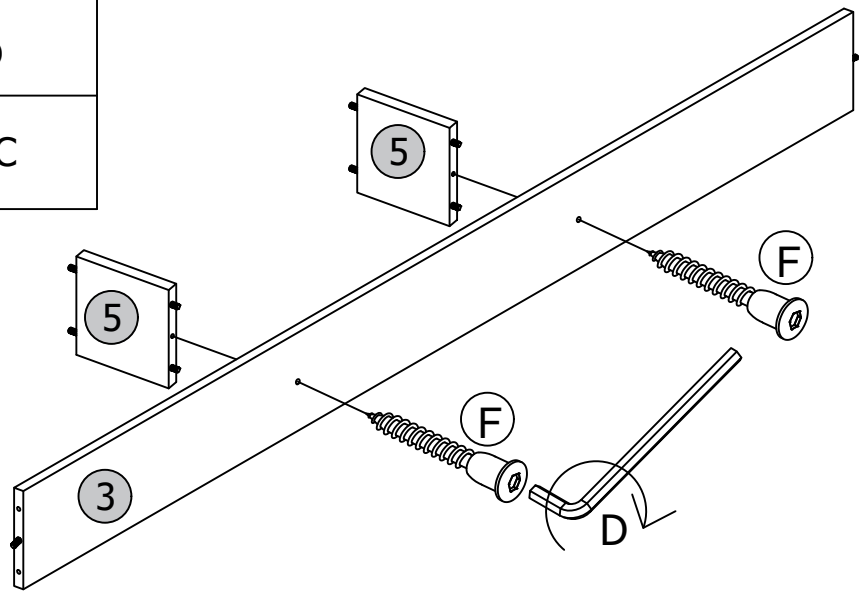


DO NOT USE POWER TOOLS

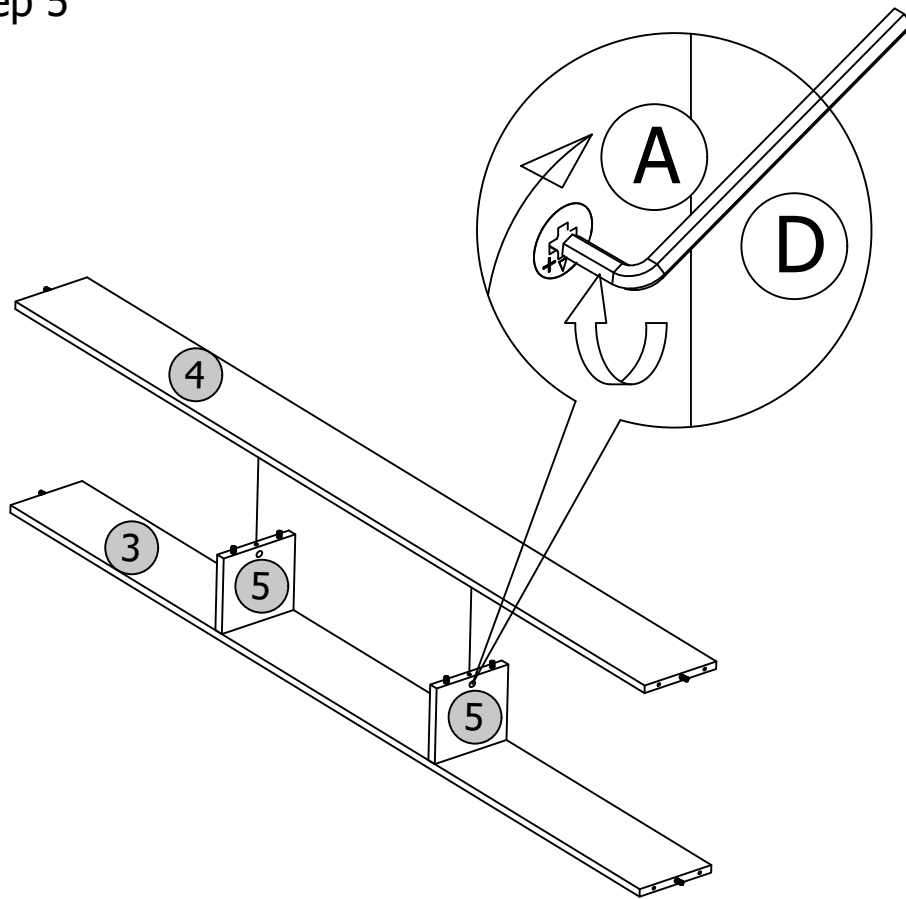
DO NOT USE POWER TOOLS AS THIS MAY DAMAGE THE FRAME AND WILL INVALIDATE ANY CLAIM.

Step 4

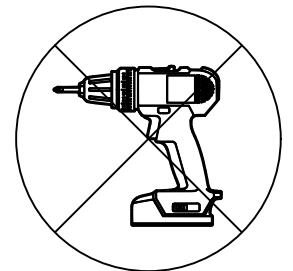
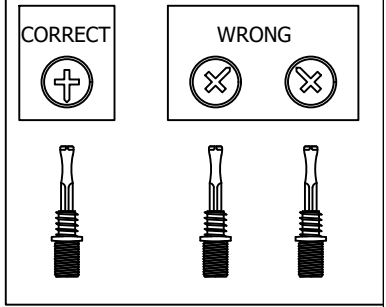
	
F	D
2 PCS	1 PC



Step 5



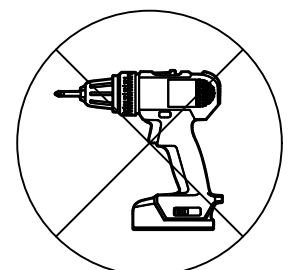
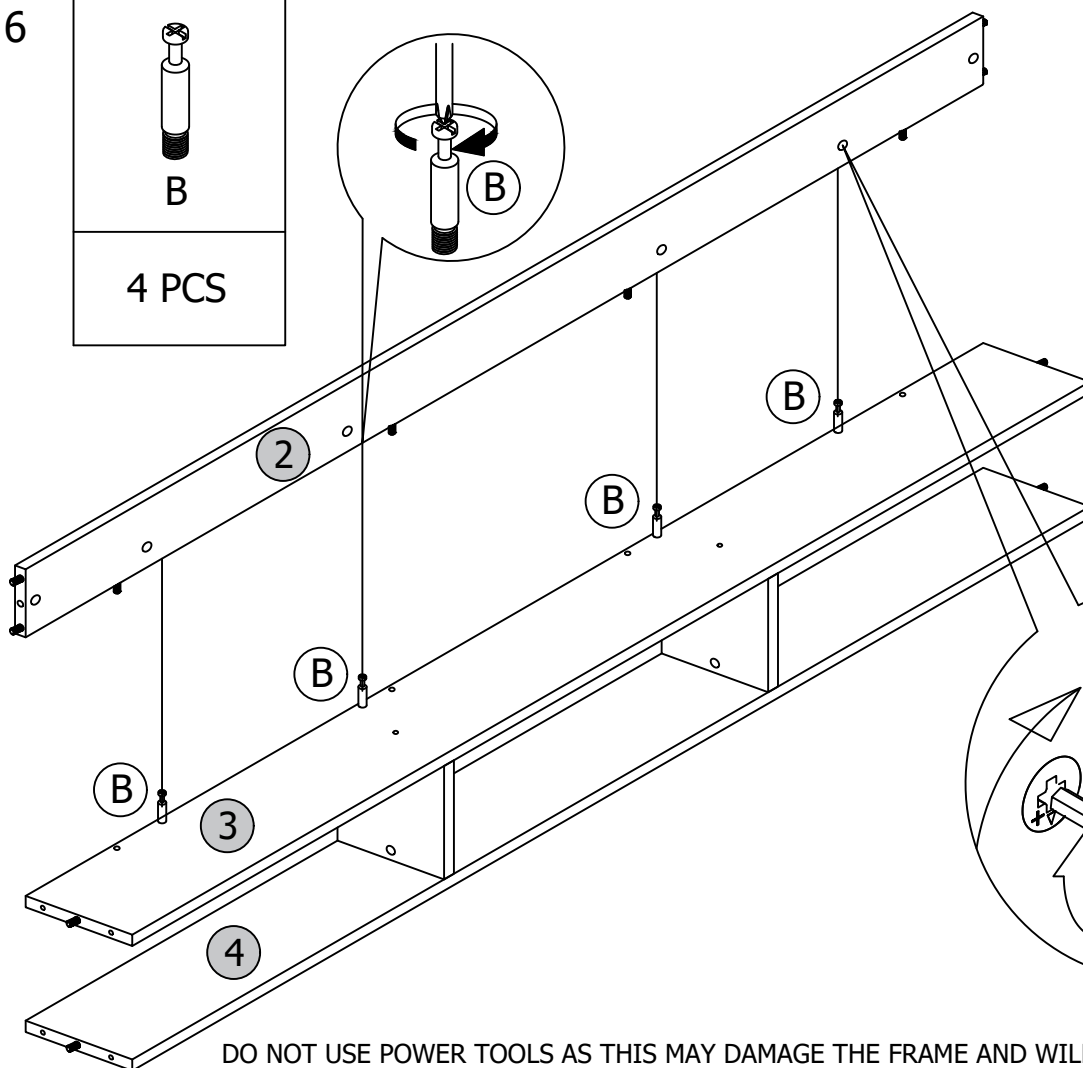
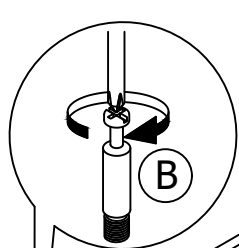
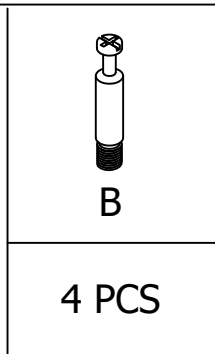
WHEN FITTING CAMS
ENSURE STARTING POSITION IS CORRECT
BEFORE YOU INSERT CONNECTING BOLT
TURN CLOCKWISE UNTIL SECURE



DO NOT USE POWER TOOLS

DO NOT USE POWER TOOLS AS THIS MAY DAMAGE THE FRAME AND WILL INVALIDATE ANY CLAIM.

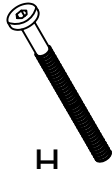
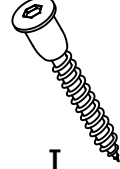
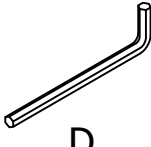
Step 6








DO NOT USE POWER TOOLS

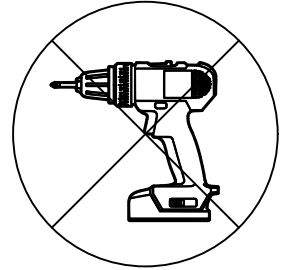
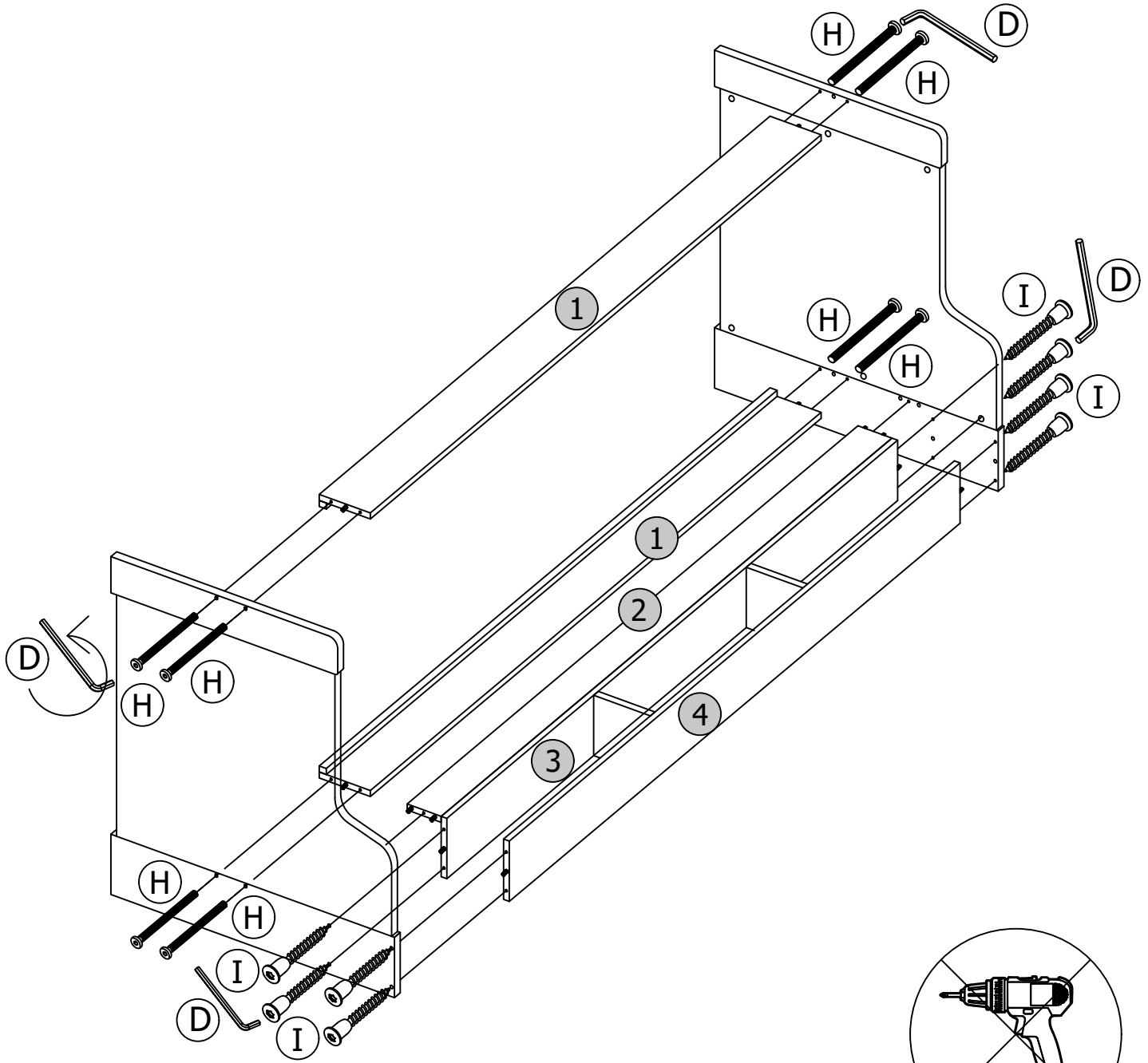
DO NOT USE POWER TOOLS AS THIS MAY DAMAGE THE FRAME AND WILL INVALIDATE ANY CLAIM.

Step 7

		
H	I	D
8 PCS	8 PCS	1 PC

WHEN FITTING CAMS
ENSURE STARTING POSITION IS CORRECT
BEFORE YOU INSERT CONNECTING BOLT
TURN CLOCKWISE UNTIL SECURE

CORRECT 	WRONG 	
		









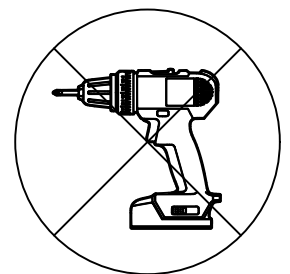
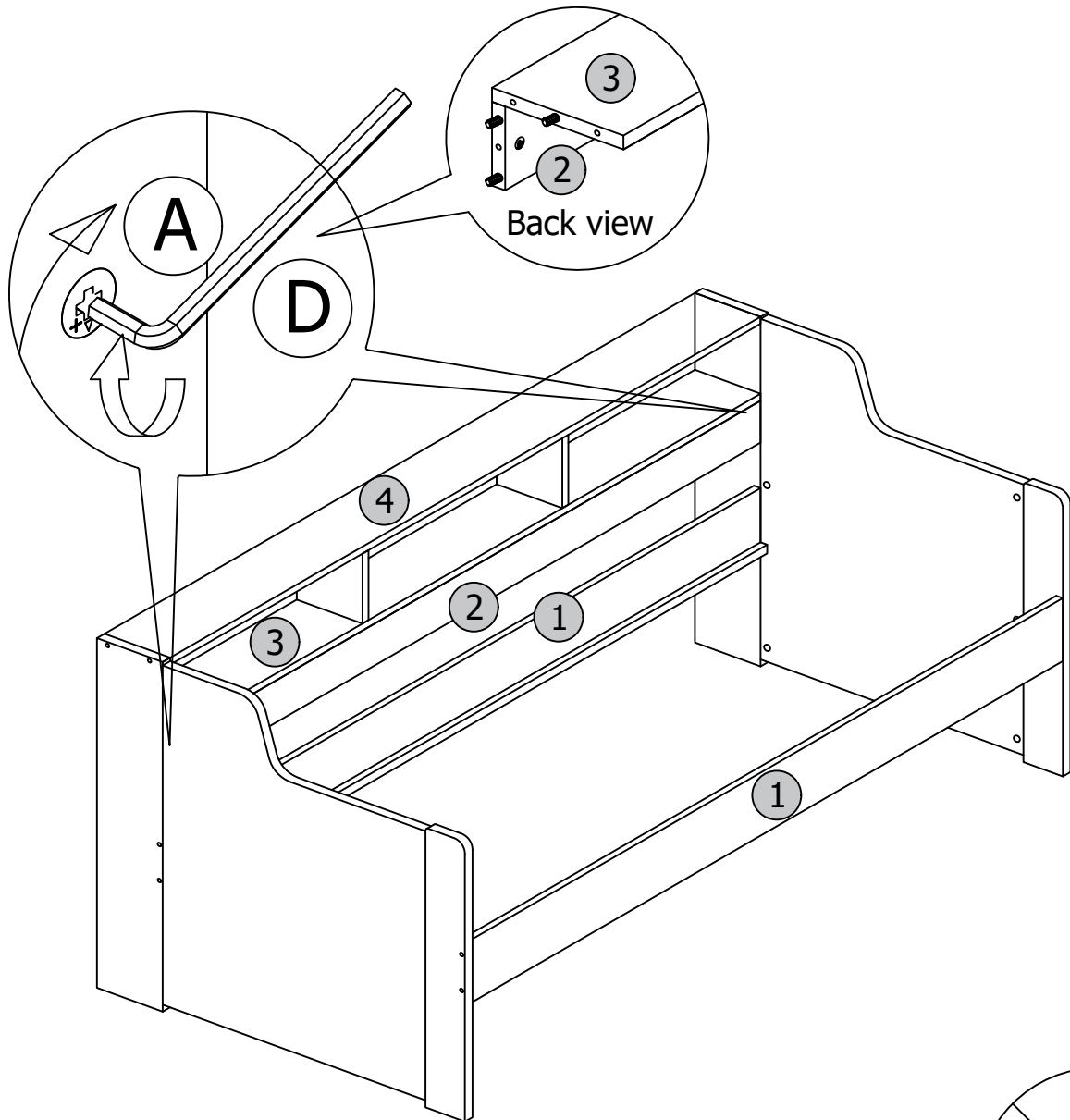
DO NOT USE POWER TOOLS

DO NOT USE POWER TOOLS AS THIS MAY DAMAGE THE FRAME AND WILL INVALIDATE ANY CLAIM.

Step 8

WHEN FITTING CAMS
ENSURE STARTING POSITION IS CORRECT
BEFORE YOU INSERT CONNECTING BOLT
TURN CLOCKWISE UNTIL SECURE


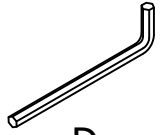
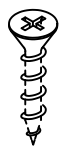
CORRECT	WRONG	
		
		

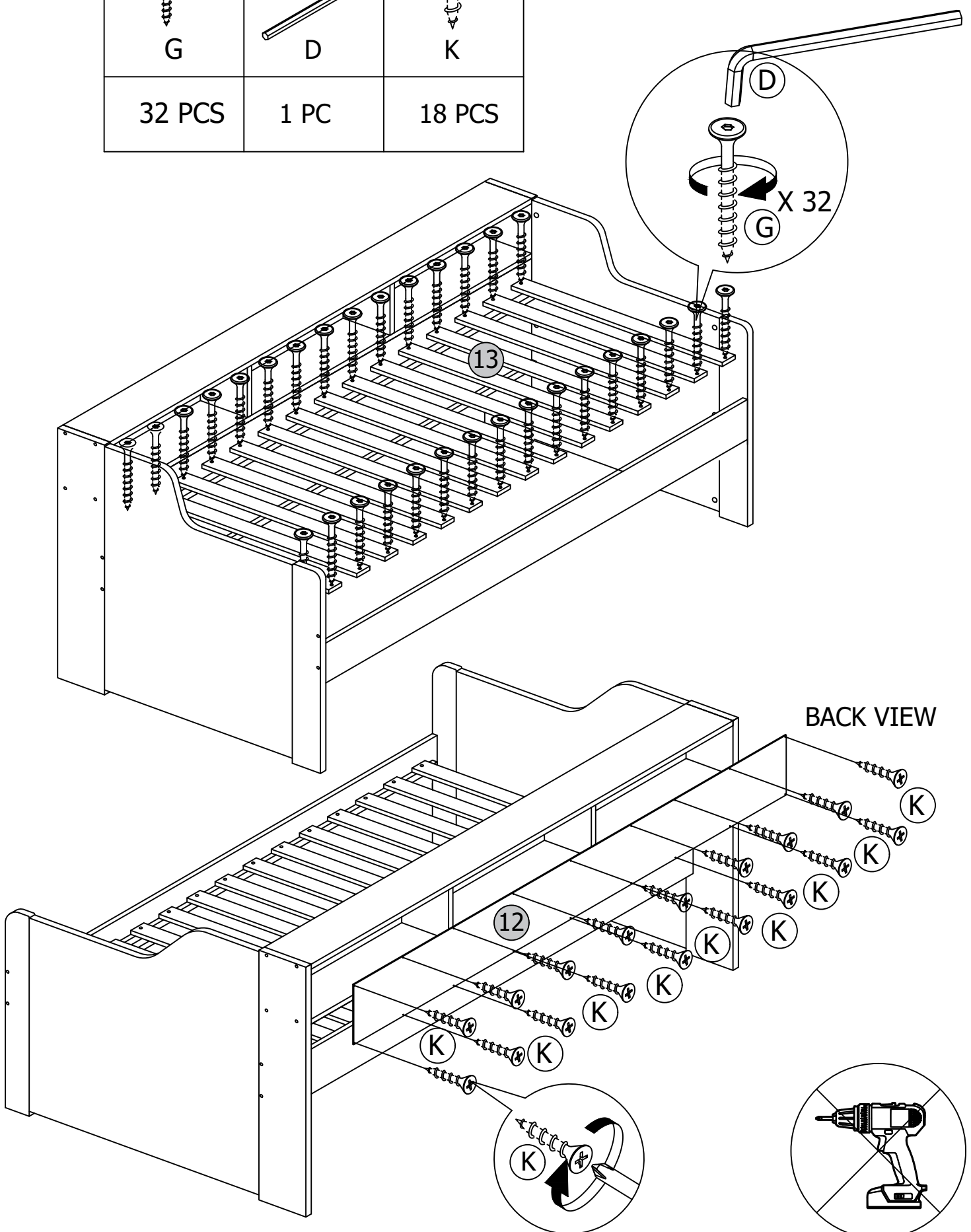


DO NOT USE POWER TOOLS

DO NOT USE POWER TOOLS AS THIS MAY DAMAGE THE FRAME AND WILL INVALIDATE ANY CLAIM.

Step 9

		
G	D	K
32 PCS	1 PC	18 PCS




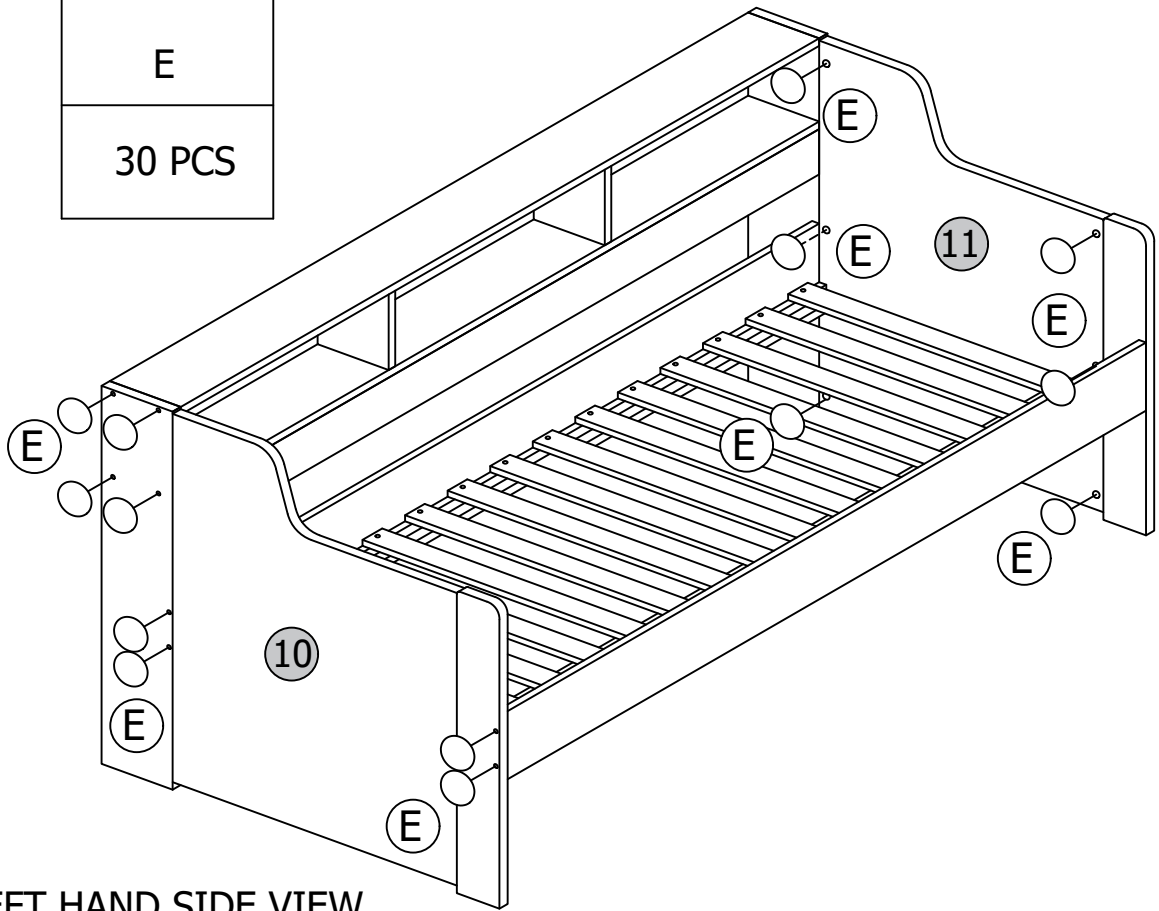
BACK VIEW

DO NOT USE POWER TOOLS

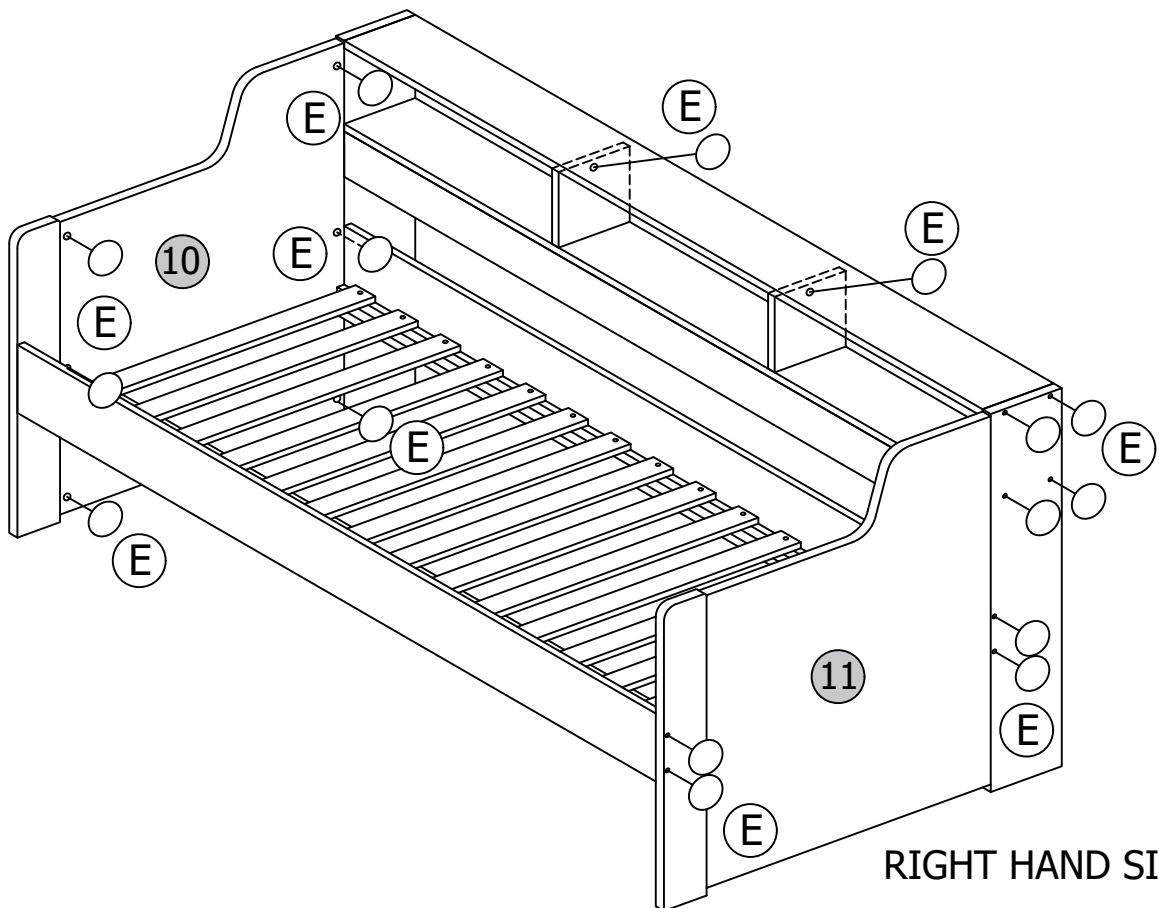
DO NOT USE POWER TOOLS AS THIS MAY DAMAGE THE FRAME AND WILL INVALIDATE ANY CLAIM.

Step 10


E
30 PCS



LEFT HAND SIDE VIEW



RIGHT HAND SIDE VIEW