

Little Folks

- FURNITURE -



Classic Hi Sleeper Bed

Code: HSP003

PLEASE READ CAREFULLY & KEEP FOR FUTURE REFERENCE

Thank you for buying a **Little Folks** piece of furniture

Treated properly it should be a faithful servant for years - and we hope you get the same amount of pleasure from it. Before you do

- please take a few minutes to read these instructions
- we suggest you carefully unpack everything, lay it out on a clean, flat floor and identify everything on the parts list in these instructions. Do not throw away any packaging until you are sure you have all the parts.

If you have any problems assembling the product please call our customer services on 01985 300588 and we will try and help. If for any reason you wish to return the product, you must disassemble the product and pack in the original packaging.

Taking care of your product

Your furniture should require no more than a regular dust off with a soft cloth. If the furniture is not painted then a superior wood polish can be used - but never use polishes containing silicone.

If necessary it can be cleaned with a damp cloth with a mild detergent solution - and then dried with a lint-free cloth. Never clean with abrasives or chemical cleaners.

Direct sunlight or heat from a radiator can stain, discolour warp or crack furniture.

We know furniture can be heavy but try not to drag furniture across the floor as this can damage it.

PRODUCT SAFETY

This product is designed to conform to BSEN747

The MAXIMUM thickness of the UPPER BUNK mattress is 20cm.

The recommended size of the mattress is 190cm x 90cm (6`3" x 3`0)

Periodically check that all assembly fixings are tightened properly, care should be taken to ensure that no fittings are loose.

The furniture must be set up on an even and stable surface.

Keep away from direct sources of heat, such as electric, gas or coal fires.

Do not allow children to climb on the furniture. Using this furniture other than for its intended purpose could cause damage to the structure or serious injury to your child.

The Bunk should not be used if any structural part is broken or missing.

The upper Bunk is not suitable for children under six years old due to the risk of falls.

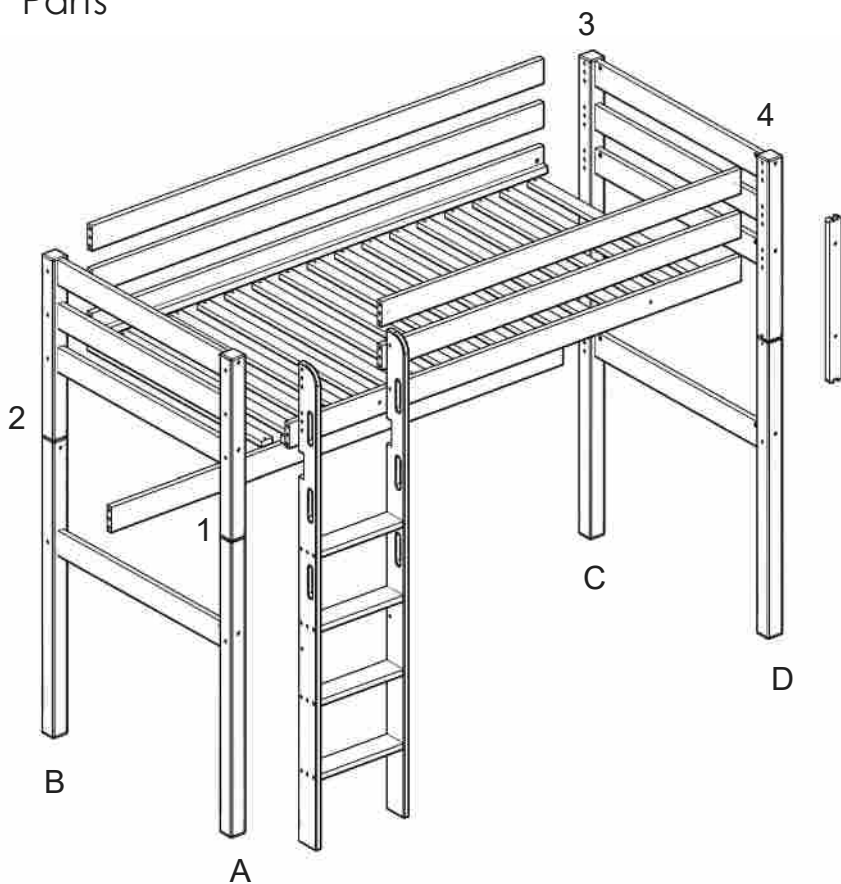
Do not attach items such as ropes, strings, cords, harnesses or belts etc to avoid the risk of strangulation.

WARNING: Children can become trapped between the bed and the wall. To avoid the risk of serious injury the distance between the top safety barrier and the wall must not exceed 75mm or be more than 230mm.

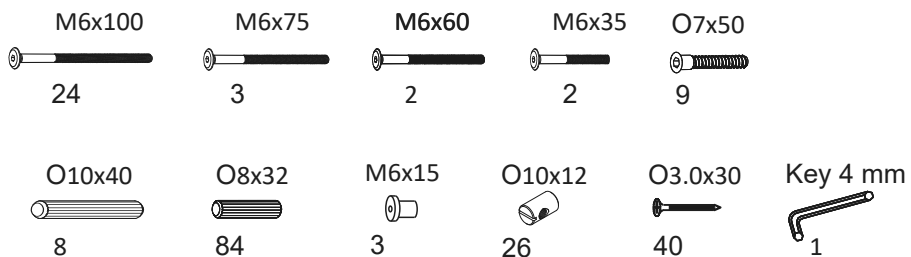
This bed is designed to be fitted to a solid structure, e.g. a wall. This work should only be carried out by a competent person or a professional.

If you have any problems please do contact us for help on e mail customerservices@littlefolksfurniture.co.uk or phone our **CUSTOMER SERVICES 01985 300588**

Parts



Fittings



Making the upper bed frame. (Two People)

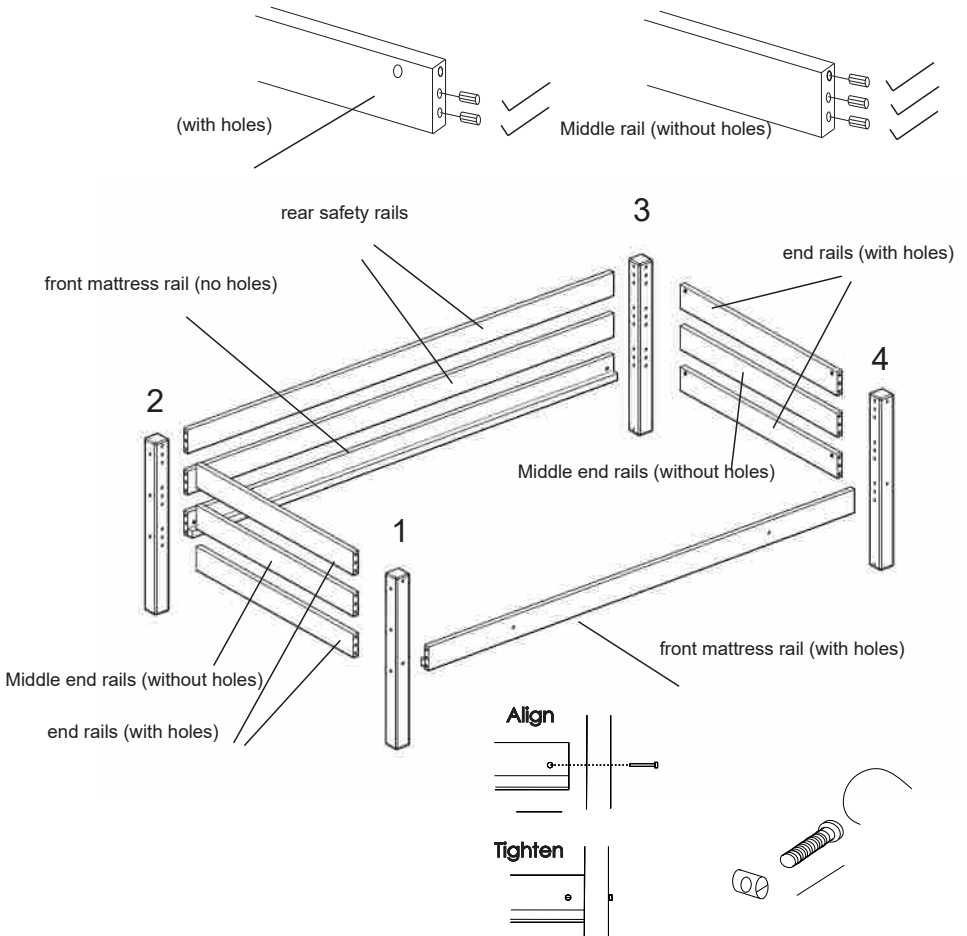
44 x 35mm wooden dowels / 16 x 100mm bolts / 16 x barrel nuts.

Make end frames

Fit the two middle end rails and four top / bottom end rails with the small wooden dowels (28) blind holes only (not the holes that have a side hole next to it)
Carefully position the four small legs using the numbers on the base of each leg to orientate. Now make each bed end, left and right, carefully positioning the middle end rails (without barrel nut holes) in the center. Align the 100mm bolts through the bed legs positioning the barrel nuts inside the holes within the cross rails, rotate to tighten.

Make the bed

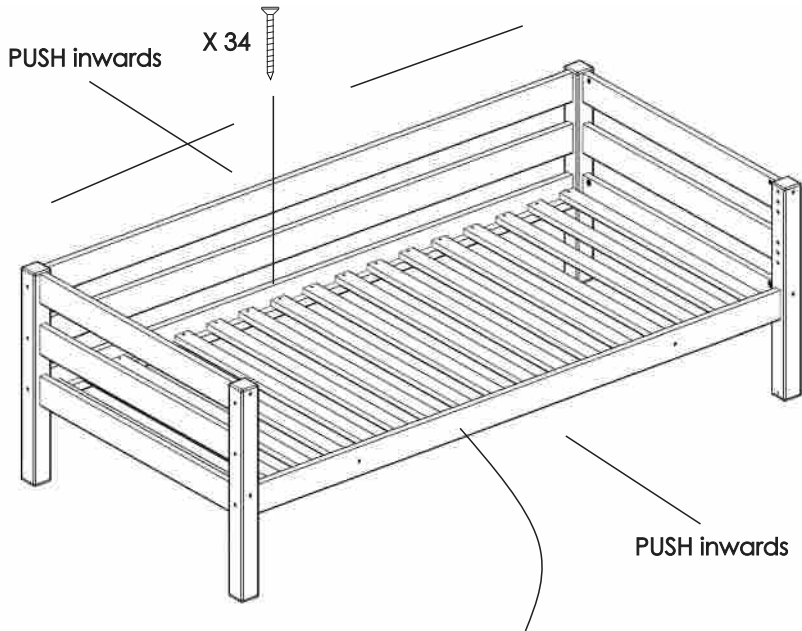
Fit the four mattress rails with end dowels (16) into the blind holes.
Carefully orientate the mattress rails and safety rails as shown. Align the 100mm bolts through the bed legs positioning the barrel nuts inside the holes within the rails, rotate to tighten.



Fit the mattress base (Two People)

34 wood screws

Gently roll out the mattress base (webbing side down) and lift it onto the mattress rails supports (wooden pieces fitted to the inside of the mattress rails). Spread the bed slats out to each end of the bed. Now screw each bed slat down using a screw in each end, making sure the the end slats are tight to the bed legs at each end, and that the bed remains parallel. (push gently inwards at the centre of both mattress rails to maintain a uniform width)



Front of Bed (two holes in the mattress rail).

Making the lower bed frame. (Two People)

8 x Large wooden dowels / 12 small wooden dowels, 6 x 100mm bolts, 6 x barrel nuts

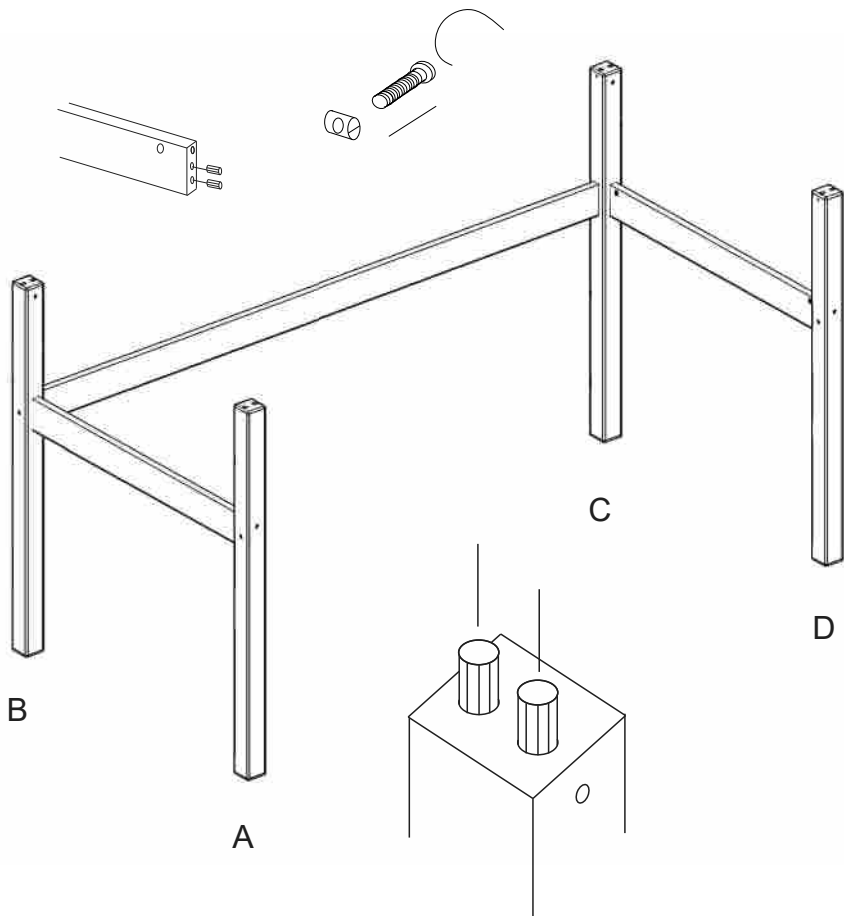
Fit the two cross rails and rear long rail with the small dowels (blind holes only).

Carefully identify the large legs by using the letters on the base of the part. Now make up each frame end, aligning the legs (AB = left end/ CD = right end)

insert the 100mm bolts connecting through the barrel nuts and rotate to tighten.

Now connect the rear rail using the same principles.

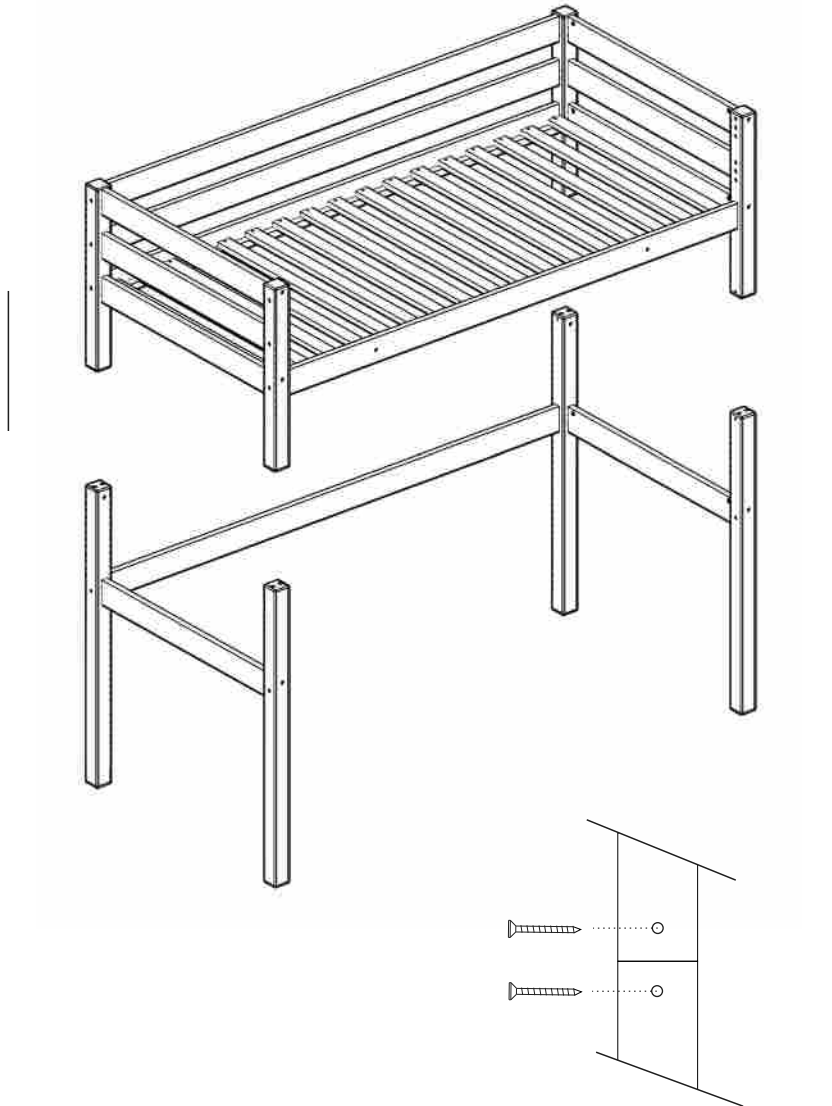
Fit 8 x large wooden dowels into the top of the long legs, two per leg (tap them down)



Making the Hi bed frame. (Two People)

8 x wood screws

Carefully lift the upper bed onto the lower frame, aligning the projecting wooden dowels into the holes on the base of small bed legs. Once firmly pressed down secure the joint by screwing them together, 2 screws per leg.

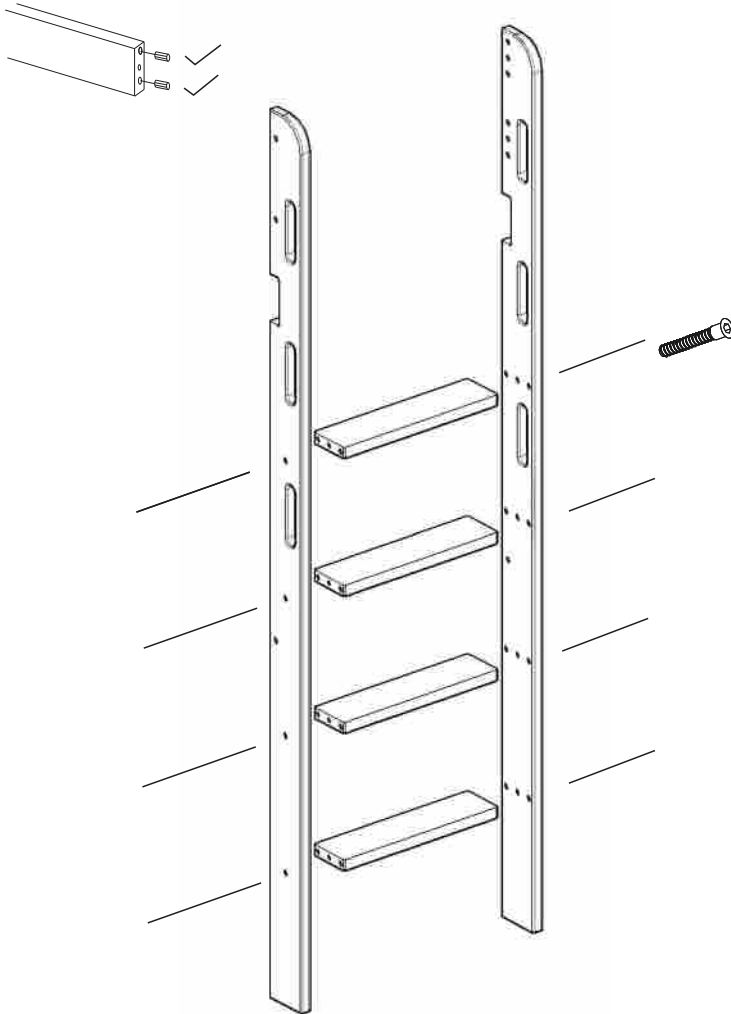


Make the ladder

8 x screw bolts, 16 x small wooden dowels

Fit the ladder treads (4) with the wooden dowels (4 per tread) using the outer holes.

lay one ladder string down with the inside facing upwards (side with more holes = inner face) and push the four treads into the matching holes. Once firmly pressed down, align and press fit the opposite ladder string. Now secure each tread using the screw bolts, 2 per string.



Fit the ladder (two people)

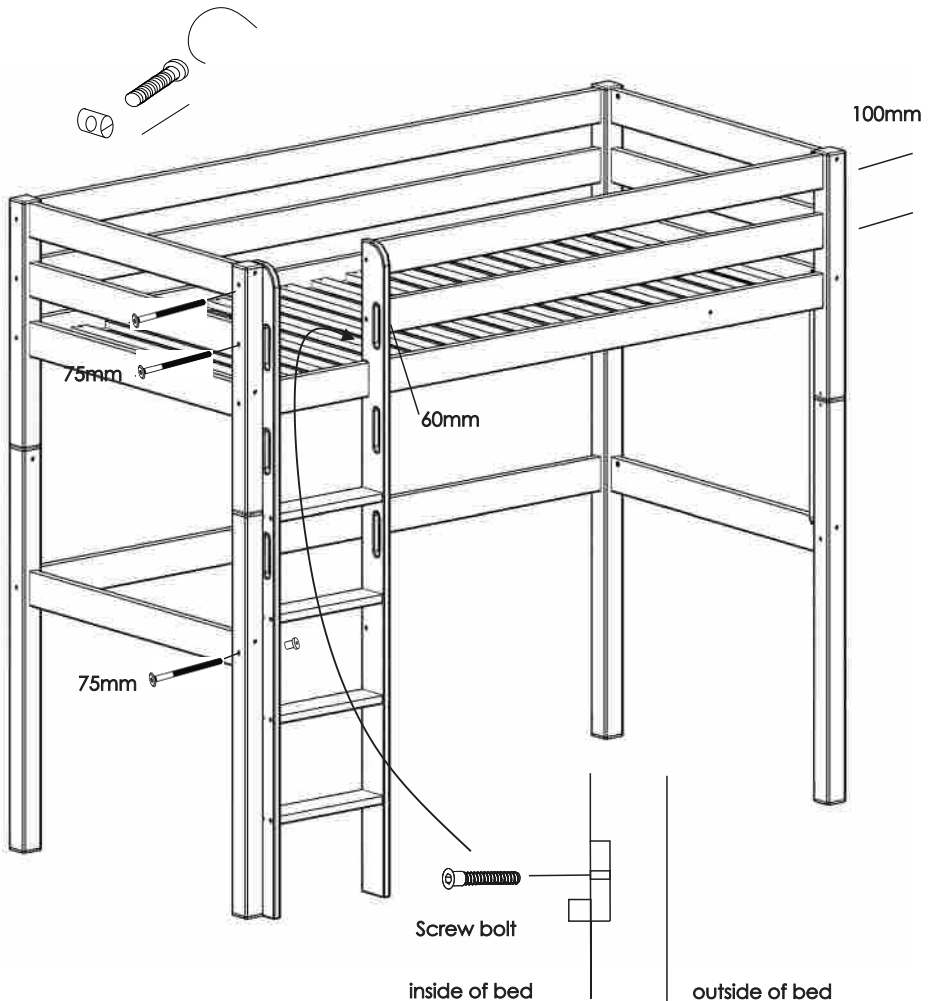
3 x 75mm bolts, 3 x sleeve nuts, 1 x screw bolt

2 x 60mm bolts + 2 barrel nuts, 2 x 100mm bolts + 2 barrel nuts, 8 x small wooden dowels.

At this point in the assembly you will need to decide which side the ladder is fitted, left or right side of the bed.

Ladder left (Mirror assembly for right hand ladder)

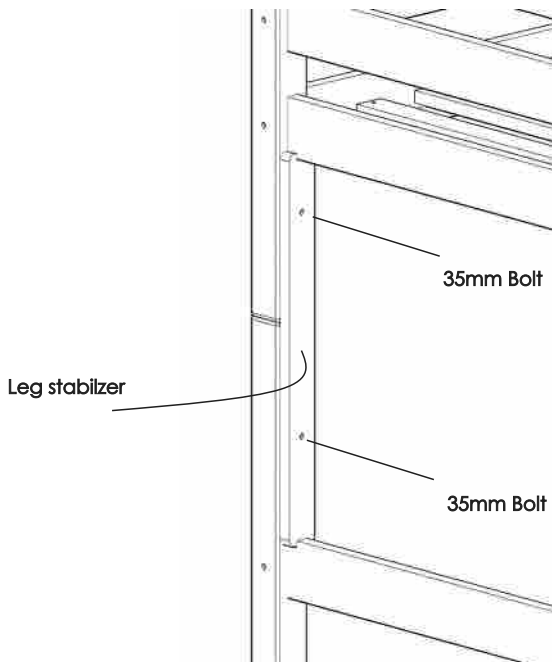
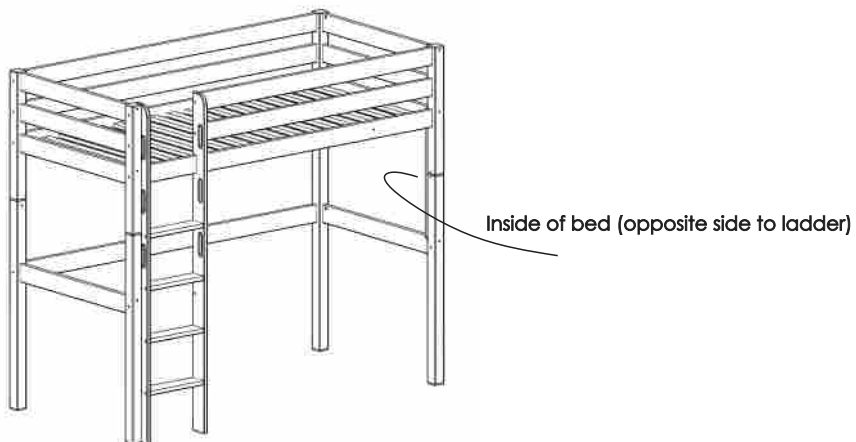
Gently place the ladder up to the left side of the bed, with the ladder cut outs fitting over the front mattress rail. Loosely connect the 3 x 75mm bolts through the out side of the left bed leg assembly and into the left ladder leg, pushing in the 3 sleeve nuts into the matching holes seen in the left hand ladder leg. Rotate to connect but do not tighten. Now fit the 2 x shorter front safety rails with the wooden dowels (blind holes only) and align and press fit into both the right hand bed legs and right hand ladder string (some light flexing of the ladder string might be required here). Once together fit 2 x 60mm bolts through the ladder string and 2 x 100mm bolts through the bed legs into the safety rails, connect to barrel nuts and rotate to tighten. Not tighten the left hand ladder assembly. Finally secure the ladder using the screw bolt from the inside of the bed into the right hand ladder string.



Fit the leg stabilizer

2 x 35mm bolts

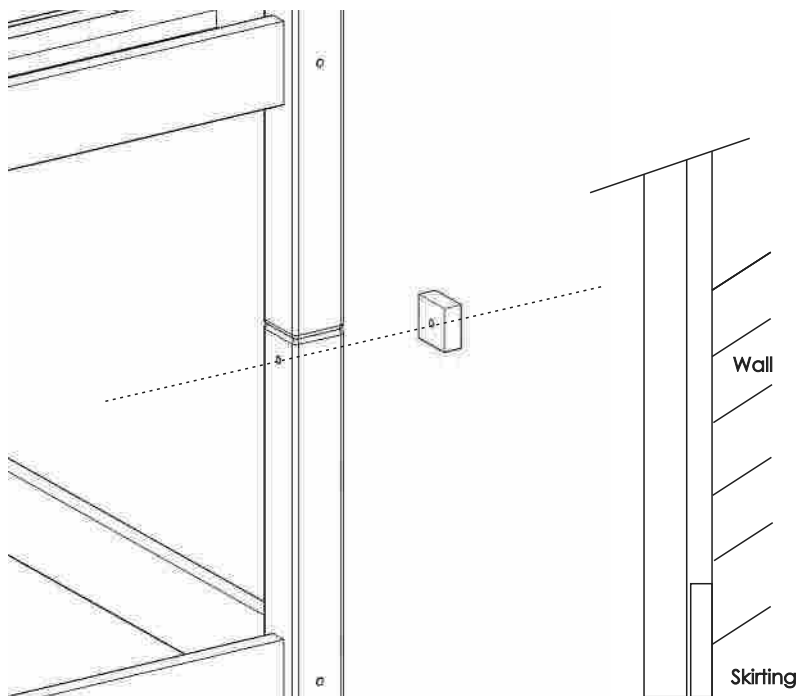
This "leg stabilizer" is designed to be fitted to the inside of bed between the upper and lower bed frames and on the opposite side to that of the ladder (see image)
Push the part into position and secure using the two bolts.



Connect the bed to a solid structure / wall

The bed is designed to be connected to a solid structure for extra stability.

Lift the bed into it`s final position. Using the two holes pre-drilled in the rear bed legs mark out the drilling positions on the wall. Lift the bed away from the wall and make the holes, making sure that you are using the correct wall fixings. Now re-align the bed, make good the fixing and check that the bed is fitted securely to the wall.



No Fixings are provided as these will need to suit the wall type, and the length of the fixing will depend on the wall material and any packers used to "bridge" the gap between the bed and wall (skirting board). The two through leg holes should be adequate however further anchor points may be required and this will depend on the bed position and wall (fixing structure) make up.

This work should only be carried out by a competent person or a professional.

Final check

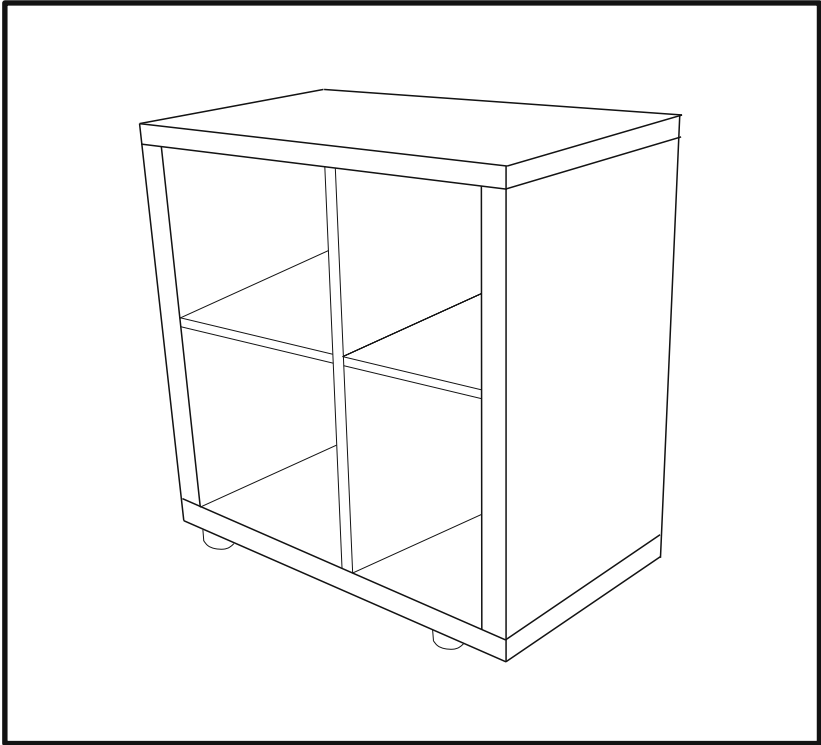
Please position any storage furniture neatly under the upper bed as not to create ledges or foot holds that might be used for access to the bed. Any furniture that is not used under the bed should be individually fastened using the wall straps provided as to prevent toppling (see their instruction leaflet). Carefull observation of safety gaps around your bed and furniture should be maintained.

Do not attach items such as ropes, strings, cords, harnesses or belts etc to avoid the risk of strangulation.

WARNING: Children can become trapped between the bed and wall, a roof pitch, the ceiling, adjoining pieces of furniture (e.g. cupboards) and the like. To avoid risk of serious injury the distance between the top safety barrier and the adjoining structure shall not exceed 75mm or shall be more than 230mm.

Little Folks

- FURNITURE -



Storage Bookcase

with Beech Feet

Code: STO005

PLEASE READ CAREFULLY & KEEP FOR FUTURE REFERENCE

Thank you for buying a **Little Folks** piece of furniture

Treated properly it should be a faithful servant for years - and we hope you get the same amount of pleasure from it. Before you do

- please take a few minutes to read these instructions
- we suggest you carefully unpack everything, lay it out on a clean, flat floor and identify everything on the parts list in these instructions. Do not throw away any packaging until you are sure you have all the parts.

If you have any problems assembling the product please call our customer services on 01985 300588 and we will try and help. If for any reason you wish to return the product, you must disassemble the product and pack in the original packaging.

Taking care of your product

Your furniture should require no more than a regular dust off with a soft cloth. If the furniture is not painted then a superior wood polish can be used - but never use polishes containing silicone.

If necessary it can be cleaned with a damp cloth with a mild detergent solution - and then dried with a lint-free cloth. Never clean with abrasives or chemical cleaners.

Direct sunlight or heat from a radiator can stain, discolour, warp or crack furniture.

We know furniture can be heavy but try not to drag furniture across the floor as this can damage it.

PRODUCT SAFETY

Periodically check all fittings to ensure that none have come loose.

Keep away from direct sources of heat, such as electric, gas or wood fires.

Do not allow children to climb on the furniture. Larger items of furniture should be properly (and professionally) secured to the wall to prevent them toppling over. Little Folks Furniture do not supply wall fixings due to the wide ranging differences of wall construction.

Warning: This work should only be carried out by a competent person or a professional.

Using furniture other than for its intended purpose could cause damage to the structure or serious injury to your child.

The furniture should not be used if any structural part is broken or missing.

Do not place heavy or unsuitable sized items on the furniture due to risk of falling and injury.

Take care when using storage boxes or totes within the shelf spaces as part extension could cause instability to the main unit as well as increasing the risk of the boxes falling.

Place heavier items on the lower shelves.

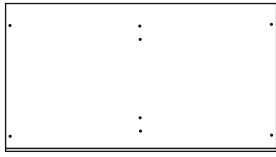
Do not drag the unit due to risk of damage to the product and tipping.

Remove all items from the upper surface when re-positioning as to eliminate the possibility of falling hazards.

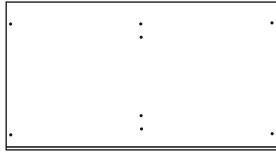
If used under an upper bed, align the furniture under the bed as not to generate projections which might be used as a foot-hold or ledge.

If you have any problems please do contact us for help on email customerservices@littlefolksfurniture.co.uk or phone our **CUSTOMER SERVICES 01985 300588**

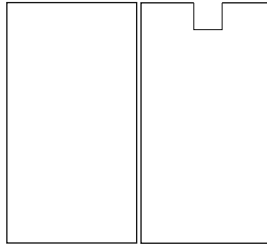
Parts list



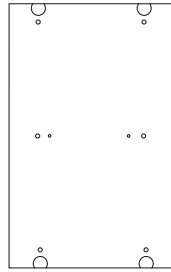
Base



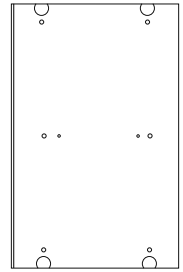
Top



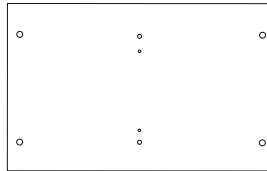
1 x Folding back



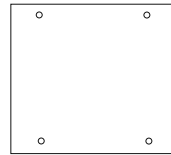
Universal Side



Universal Side



1 x Middle panel



2 x Shelves

Fittings

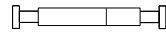
2 x Long Dowels



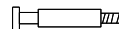
8 x Dowels



2 x Long cam Pins



8 x Cam Pins



12 x Large Cams



8 x Special screws



16 x Pan head screws



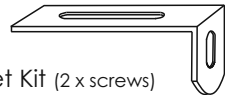
20 x Pins



8 x Long Pan head screws 45mm



4 x Beech Feet

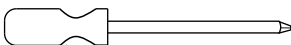


1 x Wall Bracket Kit (2 x screws)

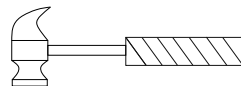
8 x press in fittings



Tools Req



Cross head type Screwdriver



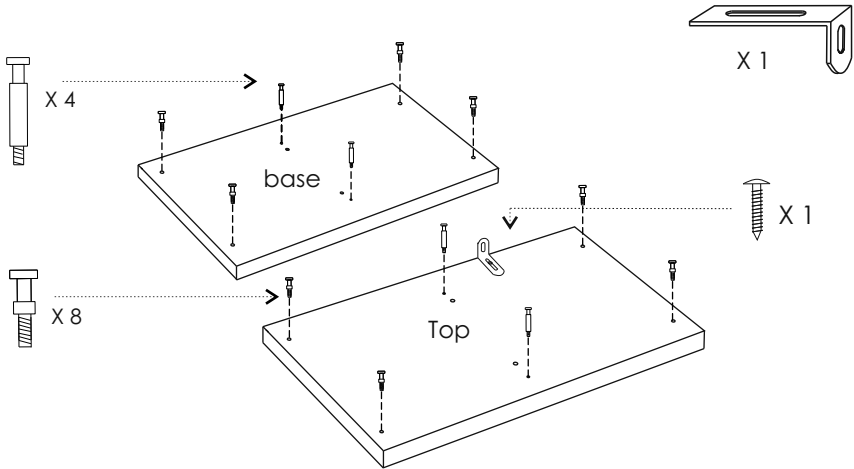
Small Hammer

Fit top and base.

4x Cam Pins, 8 x special screws, 1 wall connector and 1 x bracket screw +
Screwdriver

Fit the Cam Pins into the small holes at the centre of the panels. Now screw the special screws along the outer edges of the panels.

Now fit the wall connector to the inside of the top, final positioning will be explained later.

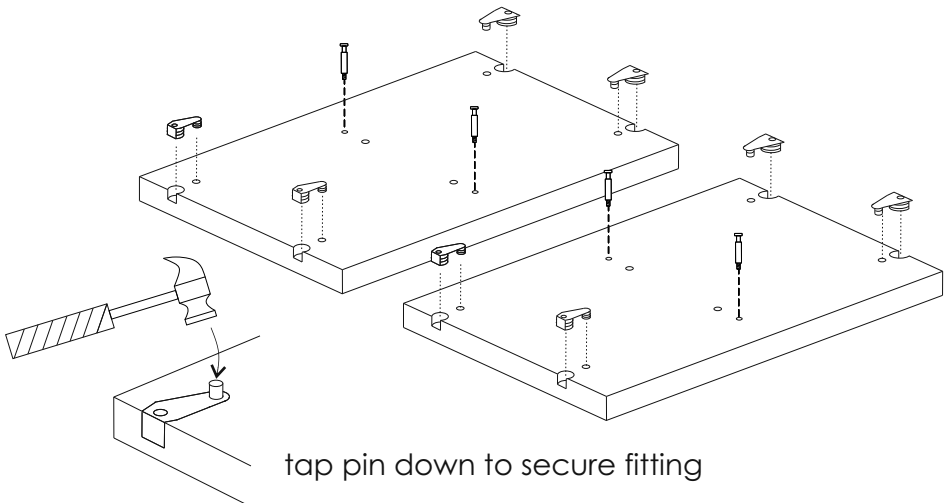


Fit the sides

8 x press in fittings, 4 x cam pins

Insert the press in fittings as shown, once flush to the carcass side surface, tap the top pin down to secure.

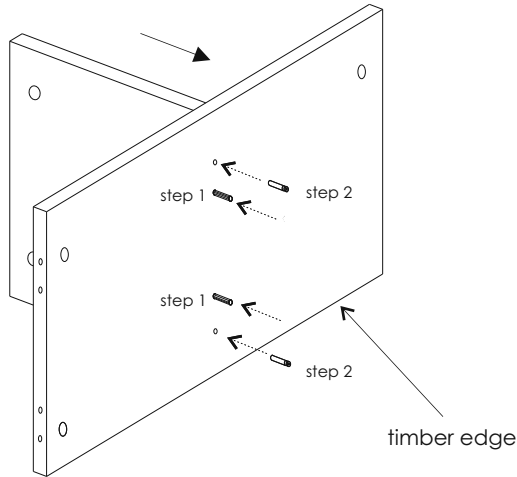
Now fit the cam pins into the small holes positioned centrally in the panels.



Make the centre “cross” frame

2 x long wooden dowels, 2 x cams and 2 x long cam pins

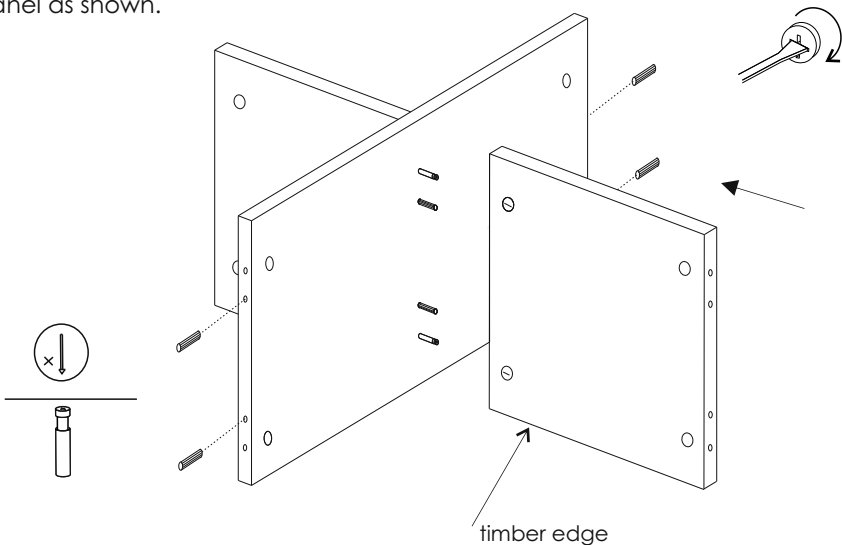
Oriente the parts as shown (raw timber edge facing down). Push the two long dowels through the middle panel so they project evenly on both sides. Now push one shelf onto the dowels. Insert two cams into the located shelf (arrow pointing towards the edge), now insert the two long cam pins through the two remaining holes in the middle panel.



Make the centre “cross” frame

2 x cams and 4 x wooden dowels

Insert two cams into the remaining shelf piece (arrows pointing towards the meeting edge) and align onto both the long wooden dowels and long cam pins, push the parts together. Rotate the four cams (two in each shelf piece) to secure the cross frame assembly. Now insert the two dowels into each end of the middle panel as shown.



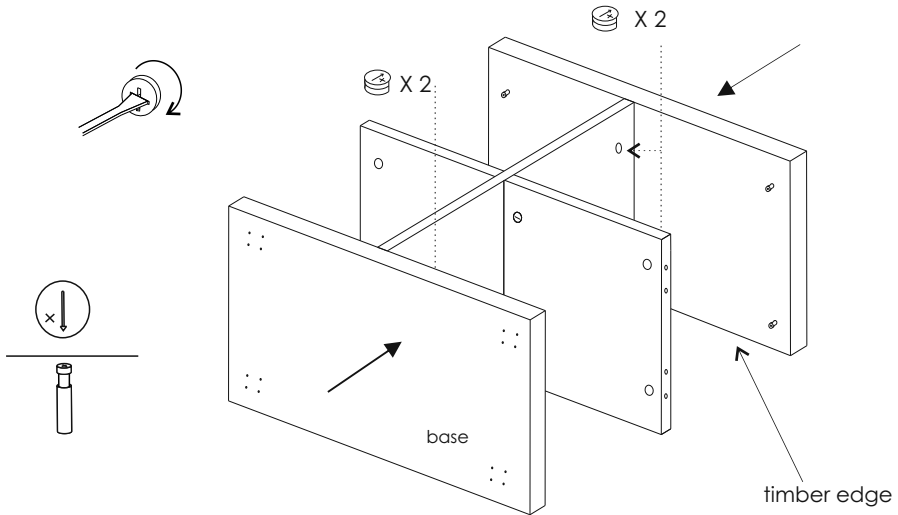
Connect the top and bottom

4 x Large Cams (two people / keep the parts resting on the floor)

Insert the cams into the middle piece (Arrow pointing towards the edge).

Now carefully push the top and bottom panel onto the middle panel, locating the parts together on the fixings already fitted.

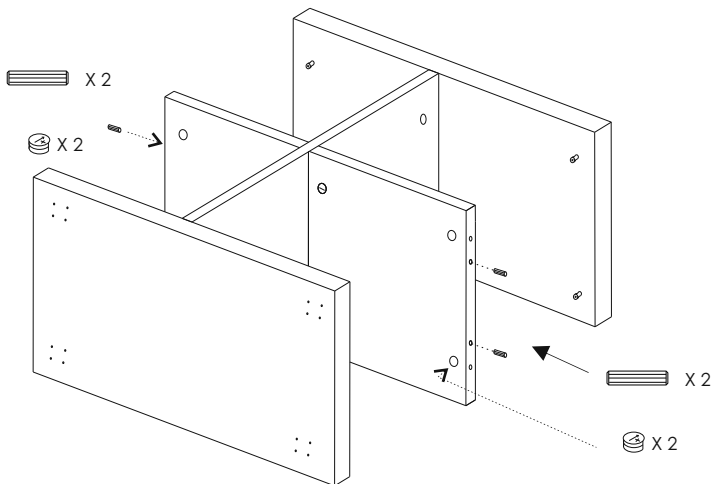
Once the pieces are together rotate the cams to tighten.



Add fixings to the the shelves

4 x Large Cams, 4 x wooden dowels (keep the parts resting on the floor)

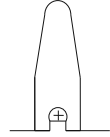
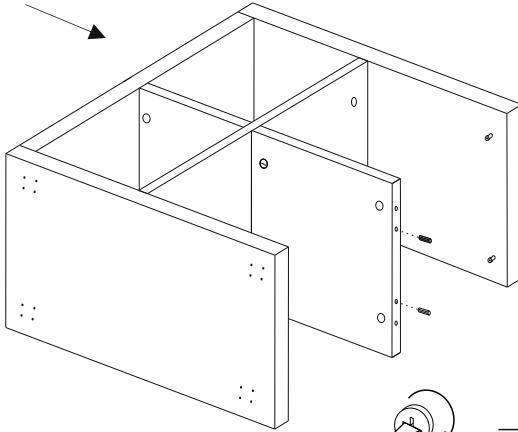
Insert the wooden dowels and cams into the two shelves (Arrow pointing towards the edge).



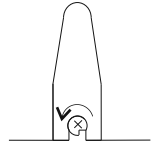
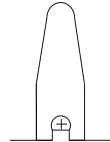
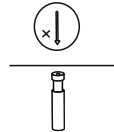
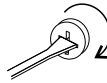
Fit the sides

Important = The press in fitting must be OPEN as to accept the special pin head when sliding the side onto the carcass.

Working with the carcass still on it's back gently slide one side onto the carcass parts, aligning the central shelf and top and bottom panels on to the pins. Once these parts are aligned and pushed together, simply rotate both the shelf cams as well as the cams within the press in fittings. Once all tight repeat the process with the remaining side.



MUST be open to allow construction

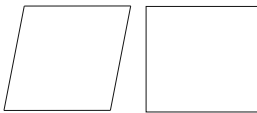


Fix the back panel

20 x pins and a small hammer.

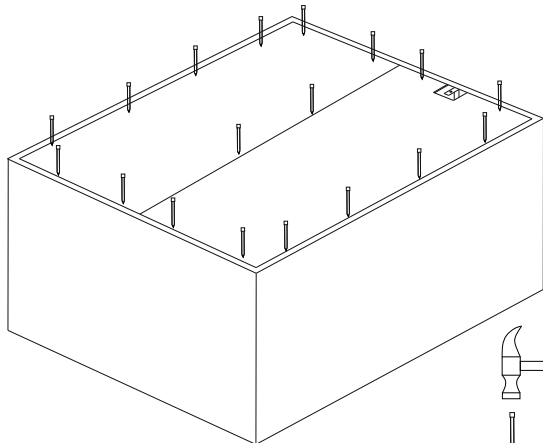
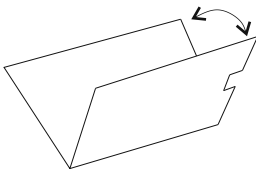
Lay the carcass onto it's front ensuring that it is protected.

Unfold the back panel and lay it within the rebate around the internal perimeter of the carcass, white side inwards. (some slight "squaring" of the carcass might be required) Note that the hole in the back should align with the wall strap previously fitted. Now, VERY CAREFULLY, pin the back to the carcass as shown.



Not square

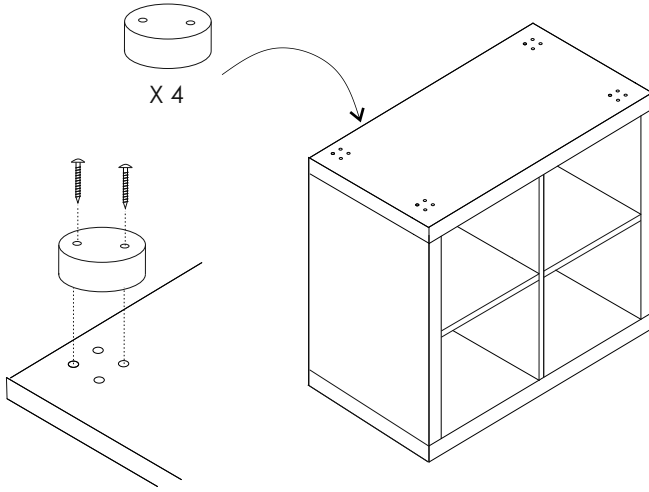
squared



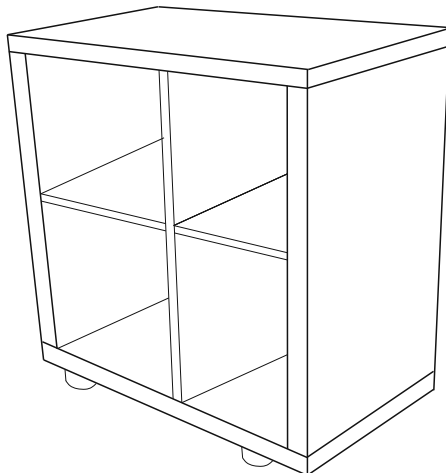
Beech Feet fitting

4 x Beech feet and 8 Long pan head screws 45mm

Lay the carcass on its top (ensure that you have a protective layer between the floor and top). Align each beech foot (larger holes uppermost in foot) picking up on two of the four holes in each corner of the base panel (diagonal), screw the foot down using two 45mm screws.

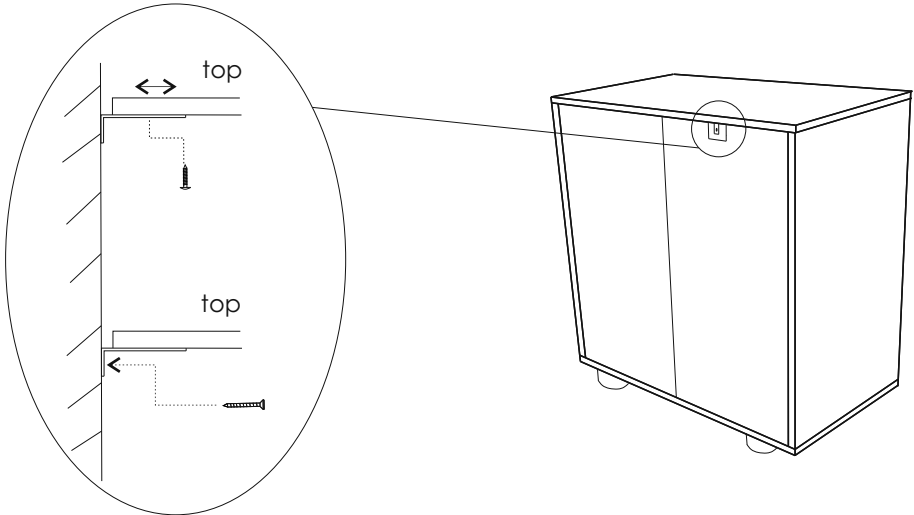


Upright the carcass.



Placing the storage bookcase IMPORTANT

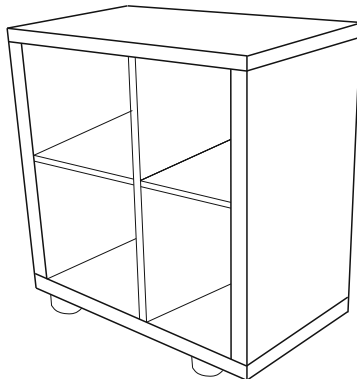
Free standing use - outside the confines of a furniture structure (bed, desk etc)
Orientate the bookcase with the back facing the wall. Extend the wall bracket to take up the difference between unit and wall surface (bridging over a skirting board), tighten the screw from the inside to secure. Now mark the wall for the position of the wall fixing. Gently lift the bookcase away from the wall to make a fixing that is suitable for the wall type you have. Re-position the bookcase and physically connect the unit to the wall.



Little Folks Furniture do not supply wall fixings due to the wide ranging differences of wall construction.

This work should only be carried out by a competent person or a professional.

Your product should look like this



Final check

If used away from an furniture structure (e.g bed or desk), please ensure that the wall bracket is connected to both the storage bookcase and a suitable wall structure.

If used under an upper furniture structure please check that the unit is neatly aligned and does not create ledges of foot holds for the upper bed.

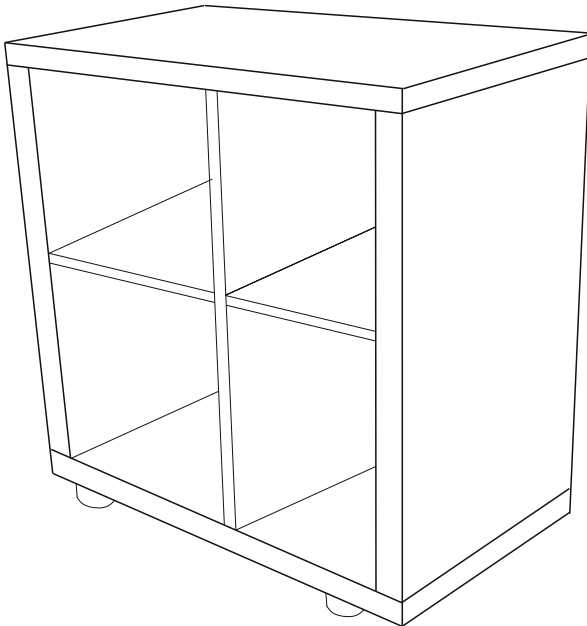
Check that the beech feet are secure and the product positioned on a level floor.

Place heavier items on the lower shelves.

Do not overload, store heavy items or place unsuitable sized items on the bookcase due to the risk of injury from falling hazards.

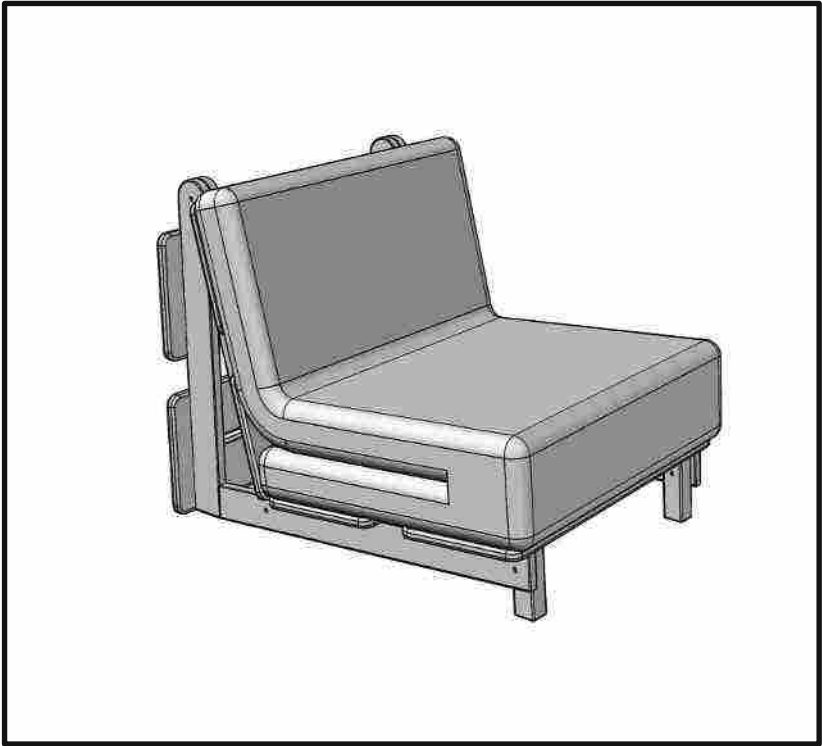
Do not attach items such as ropes, strings, cords, harnesses or belts etc to avoid the risk of strangulation.

WARNING: Children can become trapped between bed furniture and the wall. To avoid the risk of serious injury the distance between furniture and the wall shall not exceed 75mm nor shall be more than 230mm.



Little Folks

- FURNITURE -



FUTON

Code: FUT002

PLEASE READ CAREFULLY & KEEP FOR FUTURE REFERENCE

Thank you for buying a **Little Folks** piece of furniture

Treated properly it should be a faithful servant for years - and we hope you get the same amount of pleasure from it. Before you do

- please take a few minutes to read these instructions
- we suggest you carefully unpack everything, lay it out on a clean, flat floor and identify everything on the parts list in these instructions. Do not throw away any packaging until you are sure you have all the parts.

If you have any problems assembling the product please call our customer services on 01985 300588 and we will try and help. If for any reason you wish to return the product, you must disassemble the product and pack in the original packaging.

Taking care of your product

Your furniture should require no more than a regular dust off with a soft cloth. If the furniture is not painted then a superior wood polish can be used - but never use polishes containing silicone.

If necessary it can be cleaned with a damp cloth with a mild detergent solution - and then dried with a lint-free cloth. Never clean with abrasives or chemical cleaners.

Direct sunlight or heat from a radiator can stain, discolour warp or crack furniture.

We know furniture can be heavy but try not to drag furniture across the floor as this can damage it.

PRODUCT SAFETY

The recommended size of the mattress is 186cm x 72cm

Periodically check all fittings to ensure that none have come loose.

Keep away from direct sources of heat, such as electric, gas or coal fires.

Do not allow children to Climb on the furniture.

Using this furniture other than for its intended purpose could cause damage to the structure or serious injury to your child.

The Bed should not be used if any structural part is broken or missing.

If you can manage it, please try to persuade your children not to bounce on the bed.

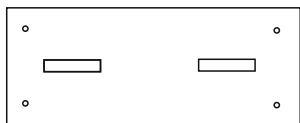
Keep hands clear when converting the product (bed to chair / chair to bed) as to avoid finger entrapment or injury, using the hand-holds will help.

Folding and unfolding this product should only be carried out under Adult supervision.

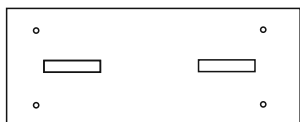
Warning: The child's bed should not be placed too close to other furniture or windows, blind cords, curtain pulls or other strings or cords, and should be placed either tight to any wall or have a gap of 300mm between the wall and the side of the bed.

If you have any problems please do contact us for help on e mail customerservices@littlefolksfurniture.co.uk or phone our **CUSTOMER SERVICES 01985 300588**

Parts list



4 x Outer Base Board
small holes



2 x Inner Base Board
small holes



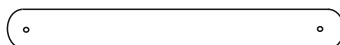
2 x Front Legs



2 x Lower Arms



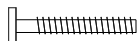
2 x Rear Arms



2 x Middle Arms

Fittings

2 x Bolts 5.5cm



28 x Bolts 3.5cm



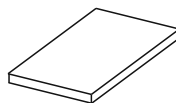
4 x Ring Washers



6 x sleeve nuts



1 x Felt Pad

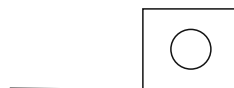
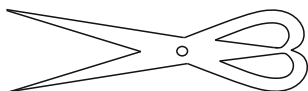


Tools Req

2 x Allen Key



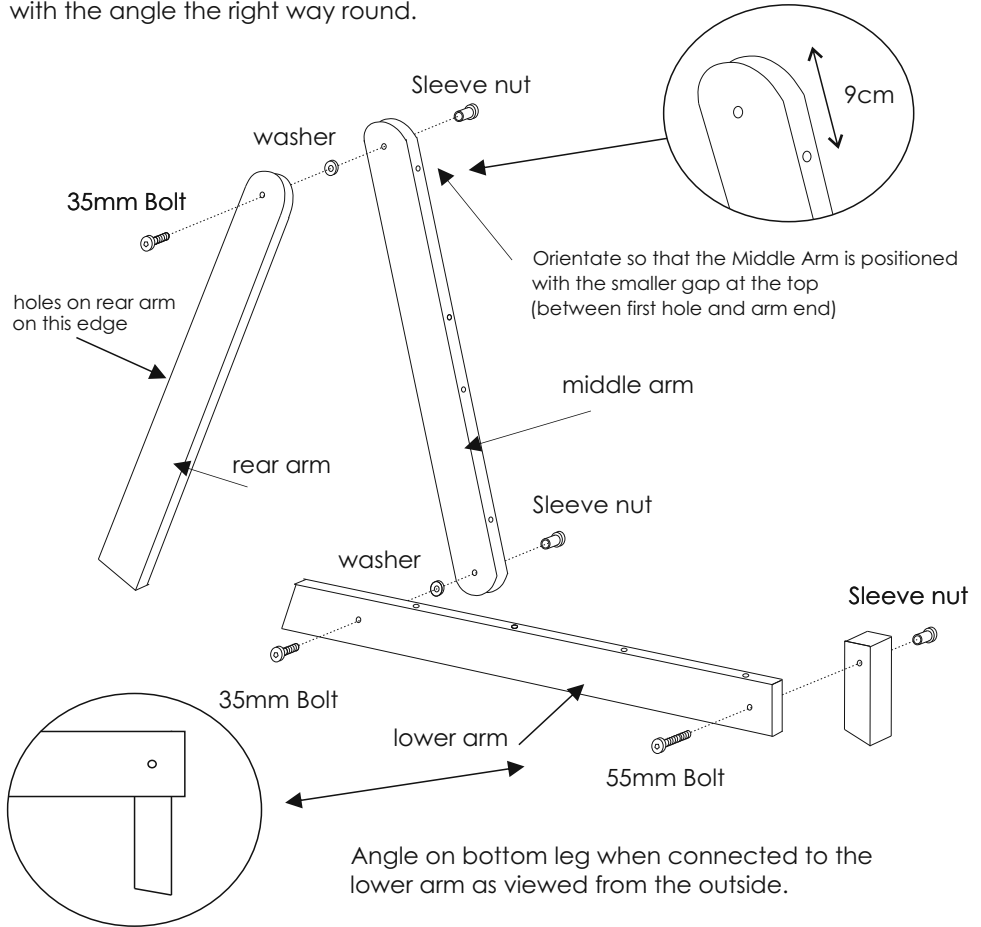
scissors



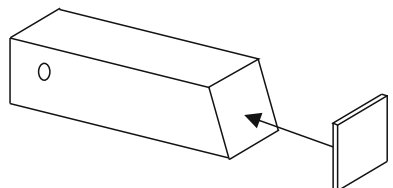
Tape Measure

Assembly of the Left-hand side

2 x 35mm Bolts, 1 x 55mm bolt, 2 x washers, 3 x Sleeve nuts and 2 x Allen keys.
Orientate the parts carefully as shown making sure to position the middle arm with the smaller gap between the arm end and first edge hole upwards. The rear arm must connect to the middle arm with the edge holes facing outwards. Connect the front leg using the 55mm bolt and sleeve nut. Be sure to fit the leg with the angle the right way round.



Cut the felt pad (4cm x 4cm) to the same size as the front leg base, remove the paper cover and stick to the leg base.

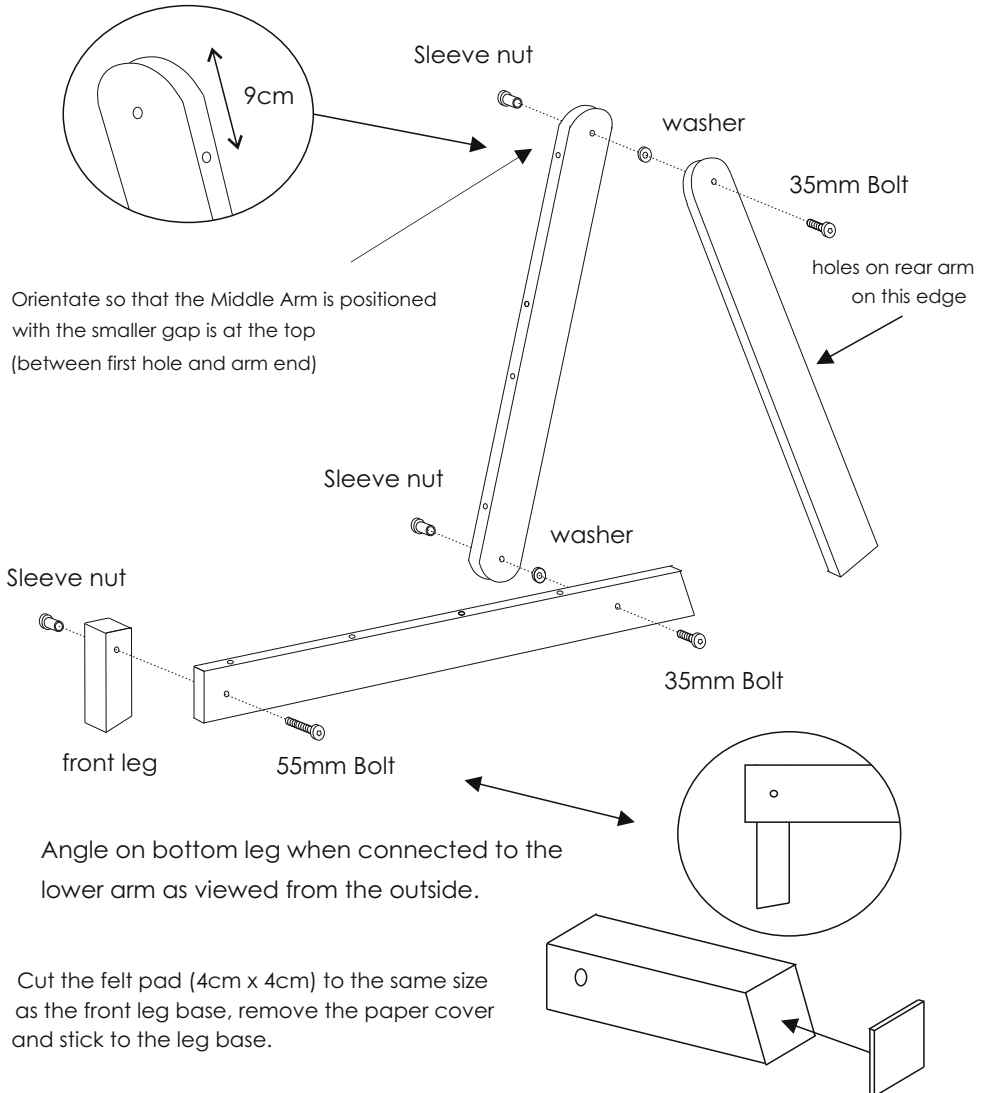


Assembly of the Right-hand side

2 x 35mm Bolts, 1 x 55mm bolt, 2 x washers, 3 x Sleeve nuts and 2 x Allen keys.

Orientate the parts carefully as shown making sure to position the middle arm with the smaller gap between the arm end and first edge hole upwards. The rear arm must connect to the middle arm with the edge holes facing outwards.

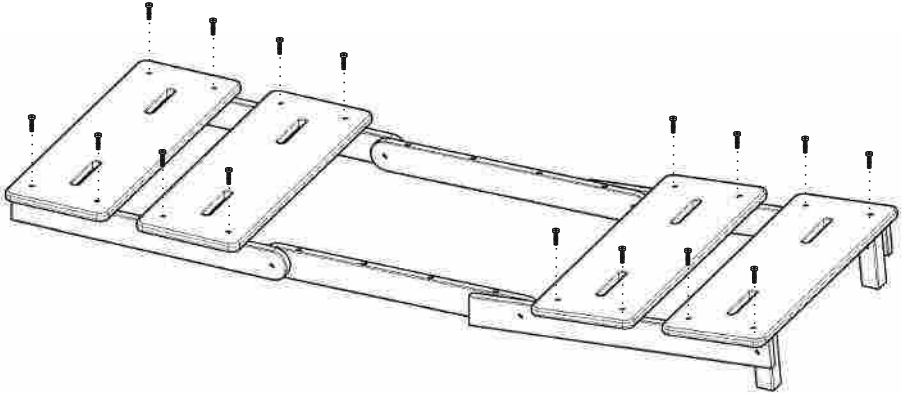
Connect the front leg using the 55mm bolt and sleeve nut. Be sure to fit the leg with the angle the right way round.



Fix the outer base boards

16 x 35mm bolts and 1 x allen key. (two people)

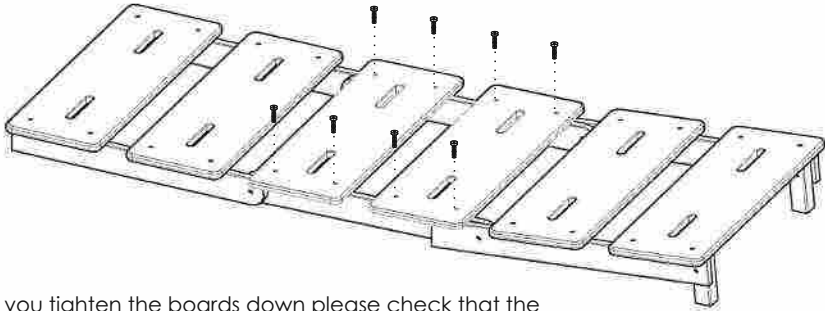
You will find it easier to lay the two side frames out as a bed for the connection of the boards. Carefully hold the two assembled frames as shown, align and connect the 4 outer base boards to the frames using the bolts provided. Please make sure you have the right boards as the middle two base boards are drilled slightly differently.



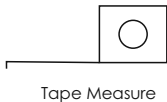
Fix the inner base boards

8 x 35mm bolts and 1 x allen key.

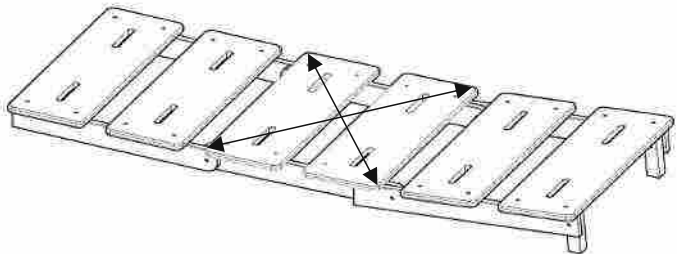
Fix the two remaining boards to the middle arms using the 8 bolts, see below.



Before you tighten the boards down please check that the frame is "square". Using a tape, measure the diagonals (when both lengths are the same) the framework is correct.

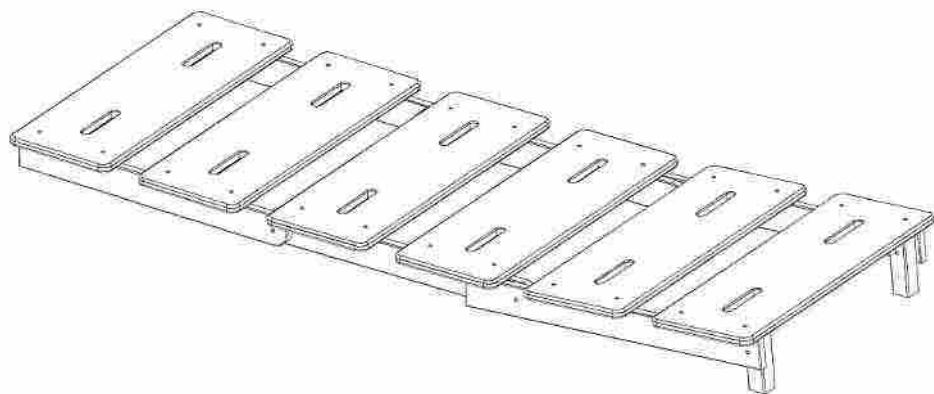


Tape Measure

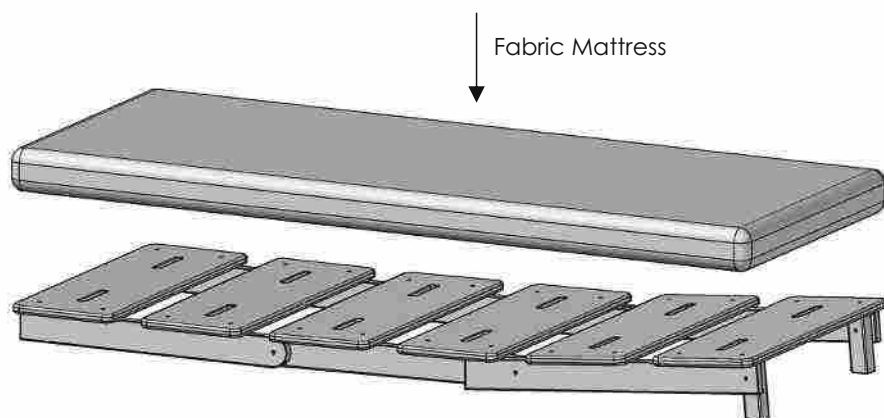


Bed configuration

Lay the frame out with the elevated part (front legs) used for the head end of the bed. Lay the loose fabric mattress onto the bed, centrally positioned.

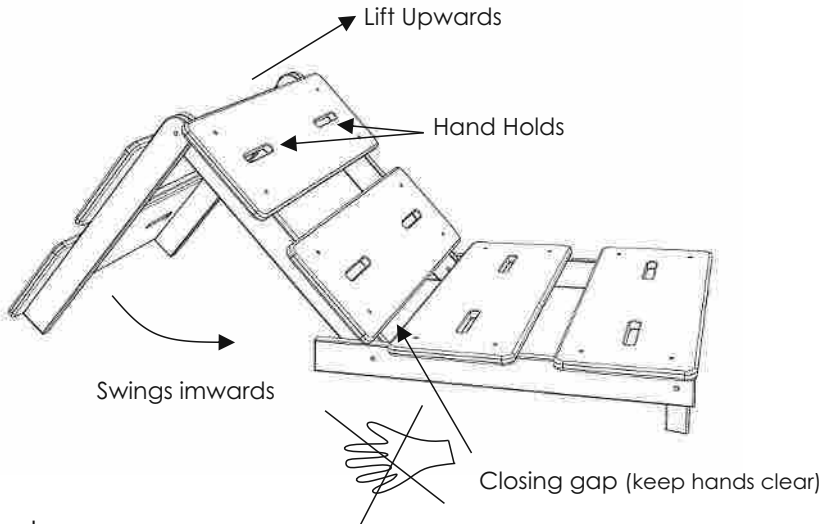


Head end



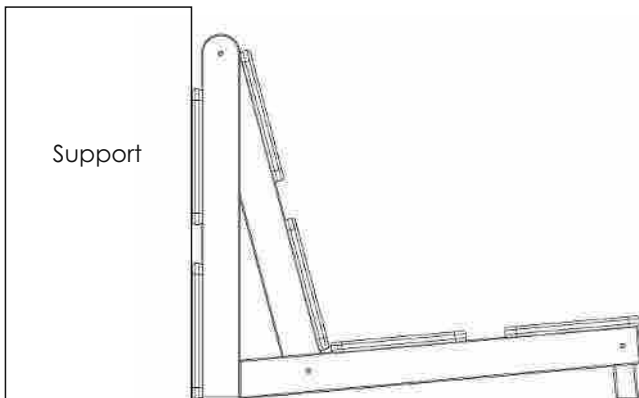
Convert from Bed to Chair

Remove the fabric mattress. Now very carefully lift the middle section of the frame (use the hand-holds in the base boards) upwards and forwards. Care must be taken not to place hands and fingers into the closing gaps as this could cause injury. Once the middle frame is high enough the rear frame should be swung inwards to create the structure.



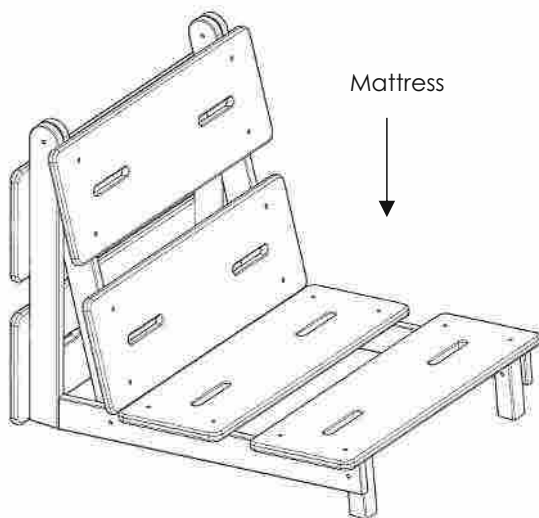
Important

This Chair is designed to be used up against a solid structure (e.g. wall). The rear frame should be pushed tightly to this support to prevent accidental opening of the chair when in use. The Chair should only be used in conjunction with the upper fabric mattress as this spreads the weight of the user across the base boards.

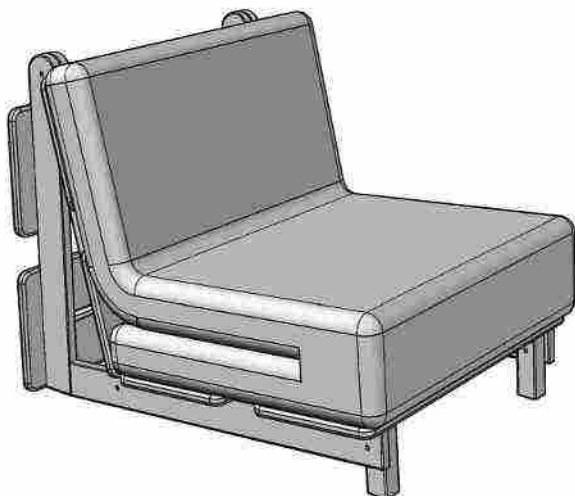


Fit the fabric mattress

Fold the fabric mattress to create a lovely deep seating area on the chair as shown in the picture below.



Fold the mattress as shown



Important

THIS IS NOT A TOY.

Please check the tightness of the fittings periodically as they could loosen over time and through use.

Rotating the base boards (top surface to bottom) should increase the life of the bed.

Fitting the Product Label. We suggest that the product label is fitted to the inside of the chair / bed frame once the assembly has taken place. The product label provides useful information related to this Futon as well as a means of identification.

