

Millie & Jones.

Assembly Guide

Before Assembly

- Check Parts - Unpack and ensure all parts are included and undamaged.
- Read Instructions - Review the guide fully before starting.
- Prepare the Space - Clear the area and assemble on a soft surface to prevent damage.
- Gather Tools - Use only the recommended tools.
- Get Help - Larger items may require two people.

Health & Safety

- Keep Kids & Pets Away - Ensure a safe workspace.
- Lift Safely - Avoid strain; lift with care or get assistance.
- Wear Protection - Gloves help prevent injuries.
- Secure Loose Clothing - Avoid anything that could get caught.
- Handle Small Parts Carefully - Keep screws and fittings away from children.
- Dispose of Packaging Safely - Recycle and keep plastic bags out of reach.

Important

Assembly Tip

Before you begin, it's best to identify all of the parts and fittings to build your ottoman bed frame. We advise laying these out on the floor to check you have everything, and to familiarise yourself with all of the parts and fittings before building.

Top Tip

We recommend that you build your new ottoman bed frame in the room you'd like it to be located. This will help prevent any risk of damage to the frame whilst moving it.

Safety and Care

It's important to ensure children and animals are kept away from the assembly area, as there are small components used in this bed frame which could present a choking.

All plastic and wrapping materials should also be kept away from children and animals to prevent any risk of suffocation.

Help and Support

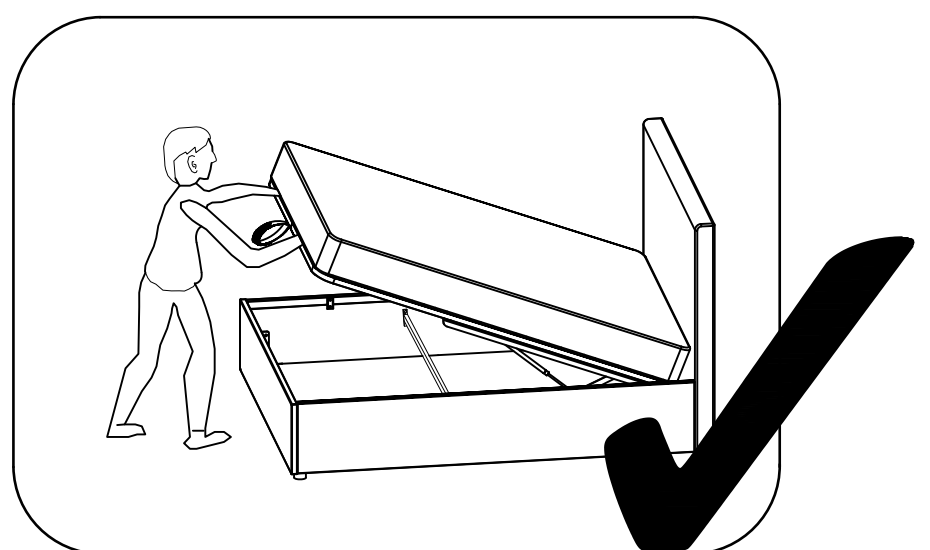
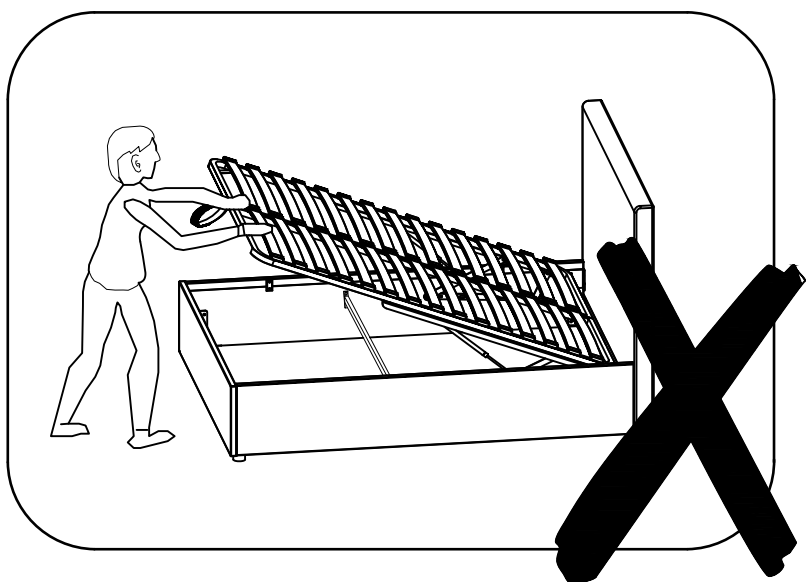
Please contact our customer service team on 0192 495 0955 if you have any questions or issues with your purchase.

Recycling

Please ensure that packaging is disposed of in a safe and environmentally friendly way, and recycle where possible. Please keep your assembly instructions safe to refer back to in the future.

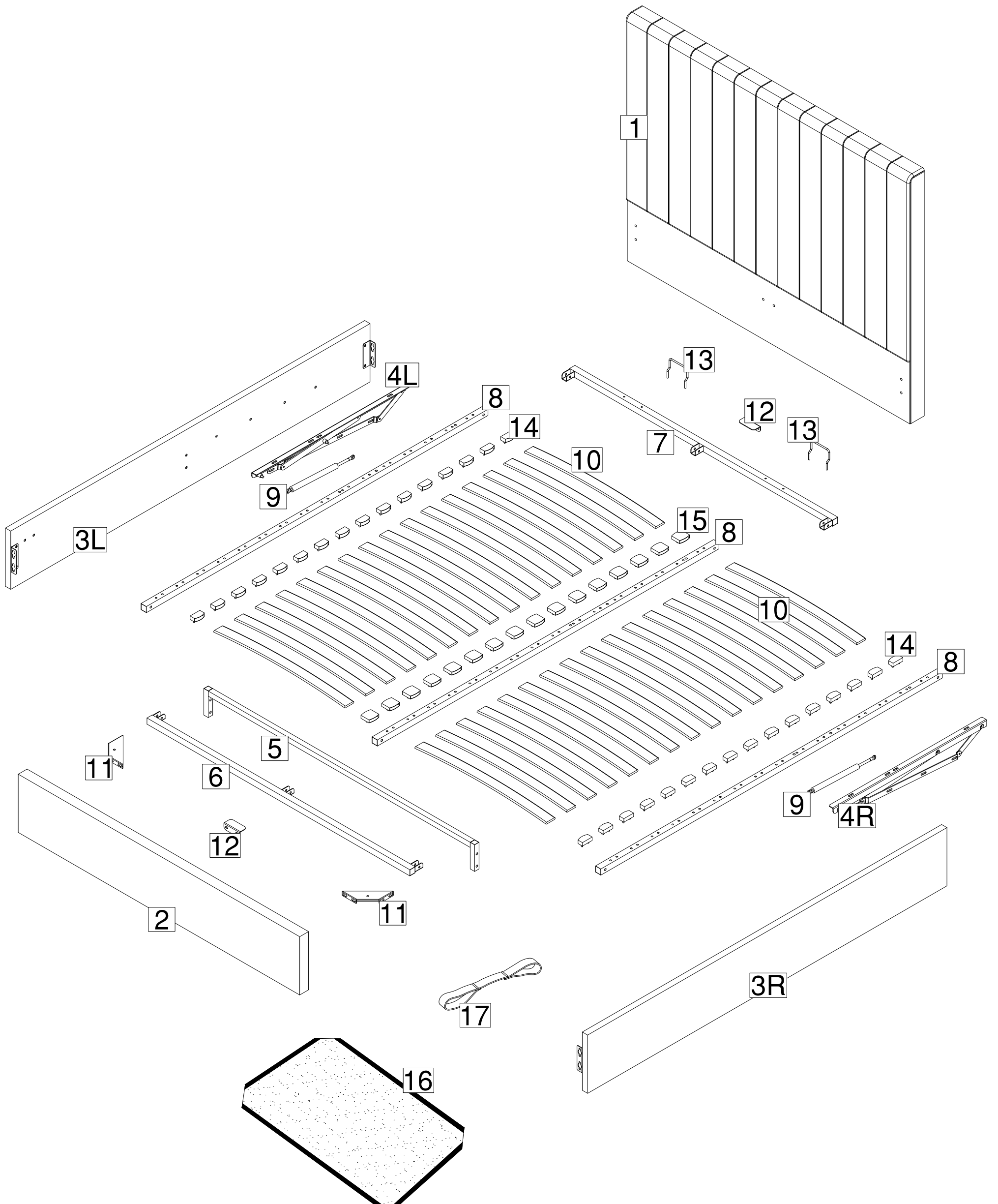
Operating Your Ottoman Bed Frame Safely

- Caution, this ottoman bed frame uses a pressurised mechanism.
- Please ensure children and animals are kept away from the ottoman bed frame when operating the mechanism.
- Use caution when operating, and always use two hands at arm's length.
- You must always ensure the mattress is on the ottoman bed frame before lifting the mechanism. Failure to do so may result in injury or damage to the mechanism.
- If removing the mattress, make sure the ottoman bed frame is secured as it could flip open.
- Only use the storage compartment when the ottoman bed frame is fully in the upright position.
- Do not remain on the ottoman bed frame whilst the lifting mechanism is in use.
- Beware of entrapment. Keep both hands clear of the mechanism when operating.
- When lifting the ottoman bed frame, remove all bedding except the fitted sheet.
- Always use the strap to lift or lower the ottoman metal frame. Close the ottoman metal frame by pushing down firmly with both hands towards the centre of the bed frame with equal pressure.
- No children or animals should be left unattended when the ottoman bed frame is in the upright position.
- When fully assembled, raise and lower the ottoman metal frame 4/5 times to ensure the gas pistons are fully lubricated.
- Ensure to re-tighten all nuts and bolts within the ottoman bed frame after the first two weeks of use.



Parts

Before you begin building your ottoman bed frame, please take a moment to read through the instructions and make sure that you have all the relevant parts listed on the parts check list.



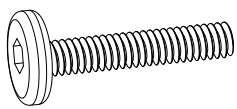
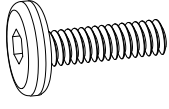
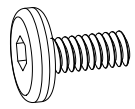
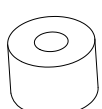
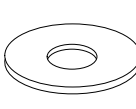
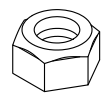

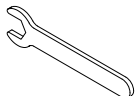
PART CHECK LIST

Carton 1 of 2		
NO.	Part list	QTY
1	Headboard	1pc

Carton 2 of 2					
NO.	Part list	QTY	NO.	Part list	QTY
2	Footboard	1pc	9	Gas Strut	2pcs
3L	Side Rail-LH	1pc	10	Slat Double/King	30/32pcs
3R	Side Rail-RH	1pc	11	Metal Corner Bracket	2pcs
4L	Lift Mechanism - LH	1pc	12	Metal Bracket	2pcs
4R	Lift Mechanism - RH	1pc	13	Mattress Positioning Handle	2pcs
5	Central Support Rail	1pc	14	Side Slat Cap Double/King	30/32pcs
6	Front Ottoman Metal Frame	1pc	15	Centre Slat Cap Double/King	15/16pcs
7	Rear Ottoman Metal Frame	1pc	16	Fabric Base	1pc
8	Side and Centre Ottoman Metal Frame	3pcs	17	Strap	1pc

Fittings

Please check you have all the fittings listed below with your product.

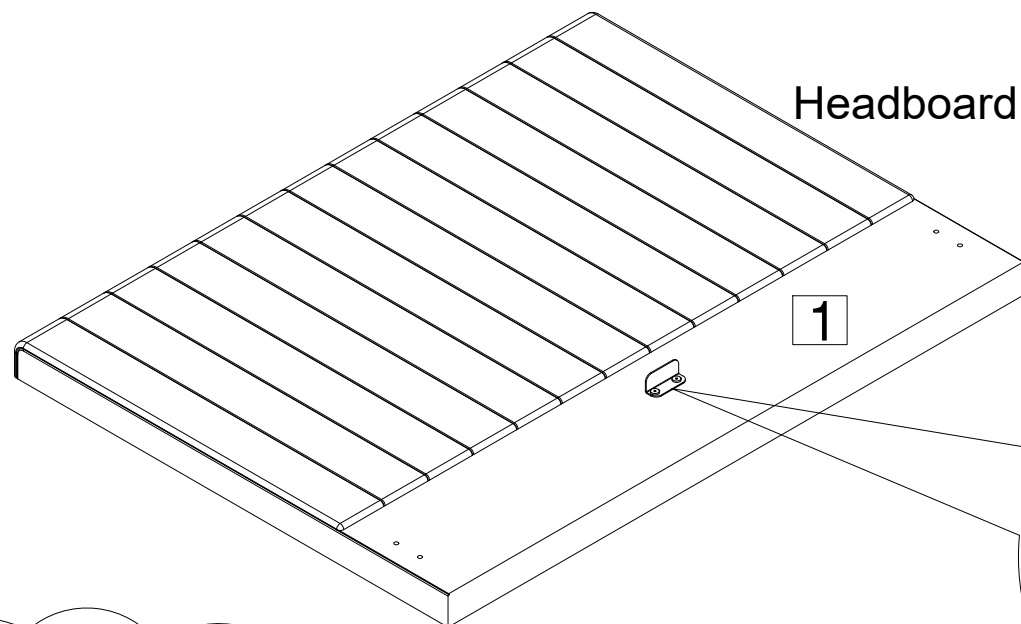
 Ⓐ M8x45mm Bolt 16pcs	 Ⓑ M8x30mm Bolt 16pcs	 Ⓒ M8x16mm Bolt 12pcs	 Ⓓ Plastic Gasket 8pcs	 Ⓔ Flat Washer 12pcs
 Ⓕ M8 Nut 16pcs	 Ⓖ Allen Key 1pc	 Ⓗ Spanner 1pc		

NB: there are additional spare Fittings included within the Fitting pack

Step 1: Attaching the Metal Bracket to the Headboard & Footboard

C  4pcs

G  1pc



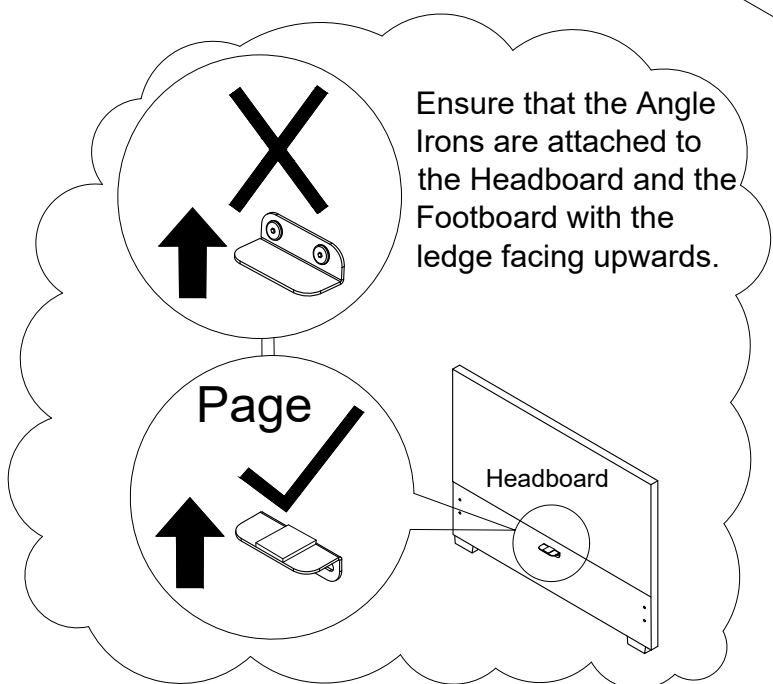
Headboard

1

12

Footboard

2



Ensure that the Angle Irons are attached to the Headboard and the Footboard with the ledge facing upwards.

Page

Headboard

Step 2: Attaching the Headboard & Footboard to the Side Rails

B  8pcs

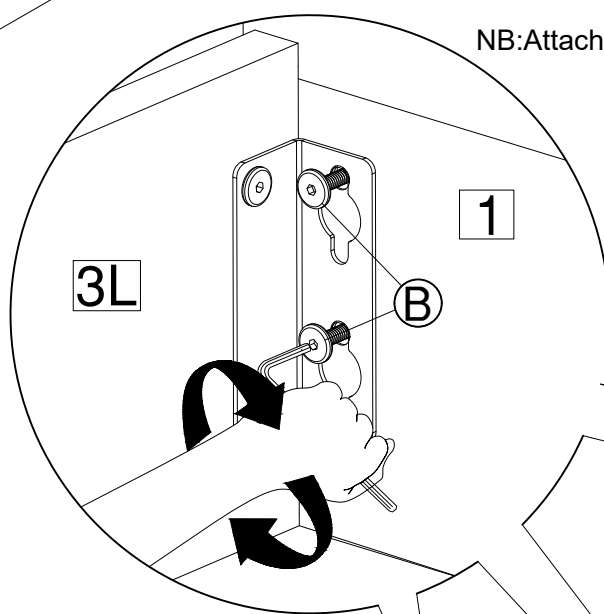
G  1pc

Headboard end

NB: Side Rail Angle Irons are pre- attached

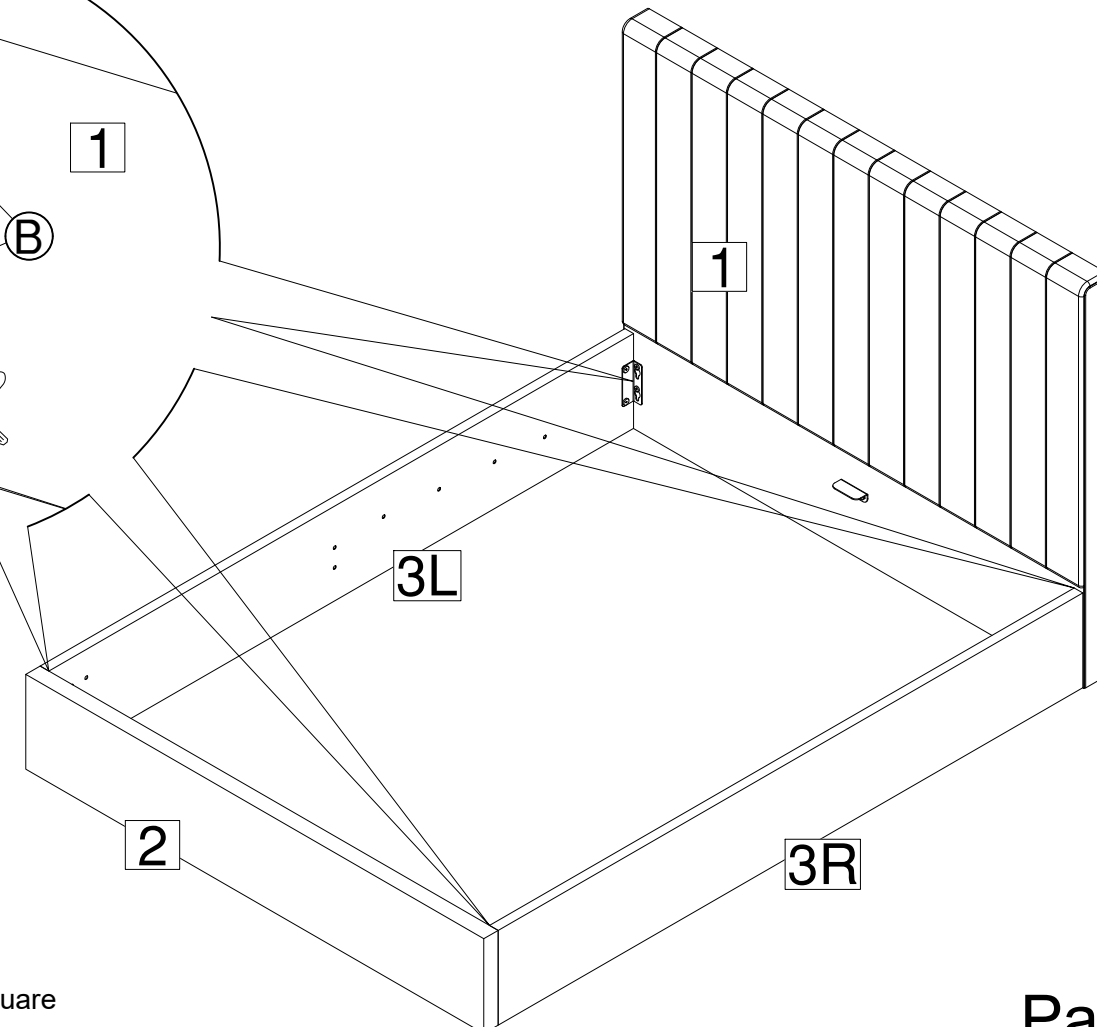
NB: Attach the bottom Bolt first

Footboard end



1

3L

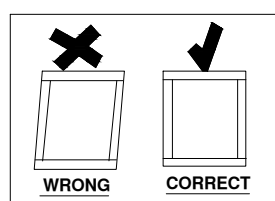


1

3L

2

3R



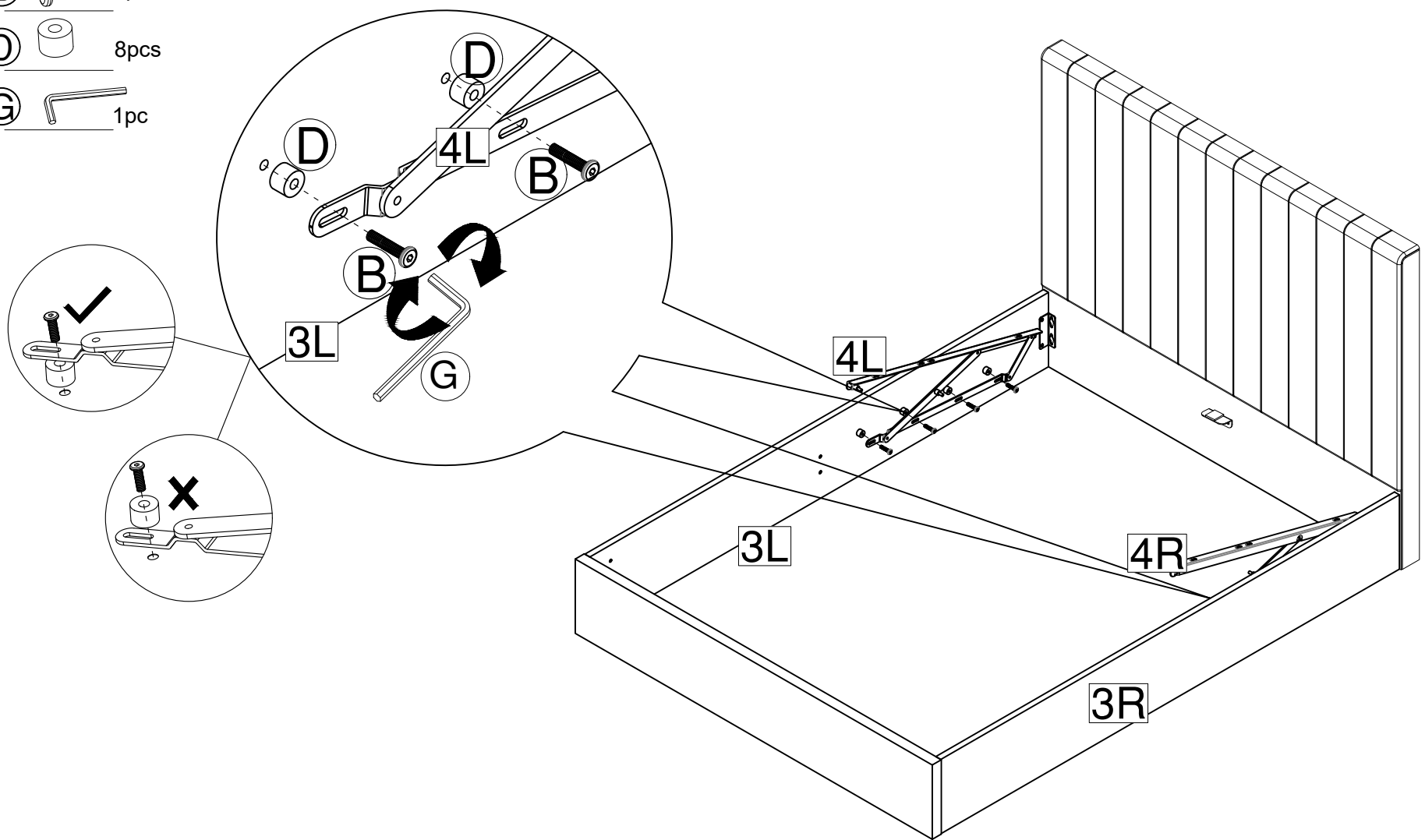
NB: Before tightening the bolts, please ensure the bed frame is square

Step 3: Attaching the Side Rails & Lift Mechanisms

B 8pcs

D 8pcs

G 1pc

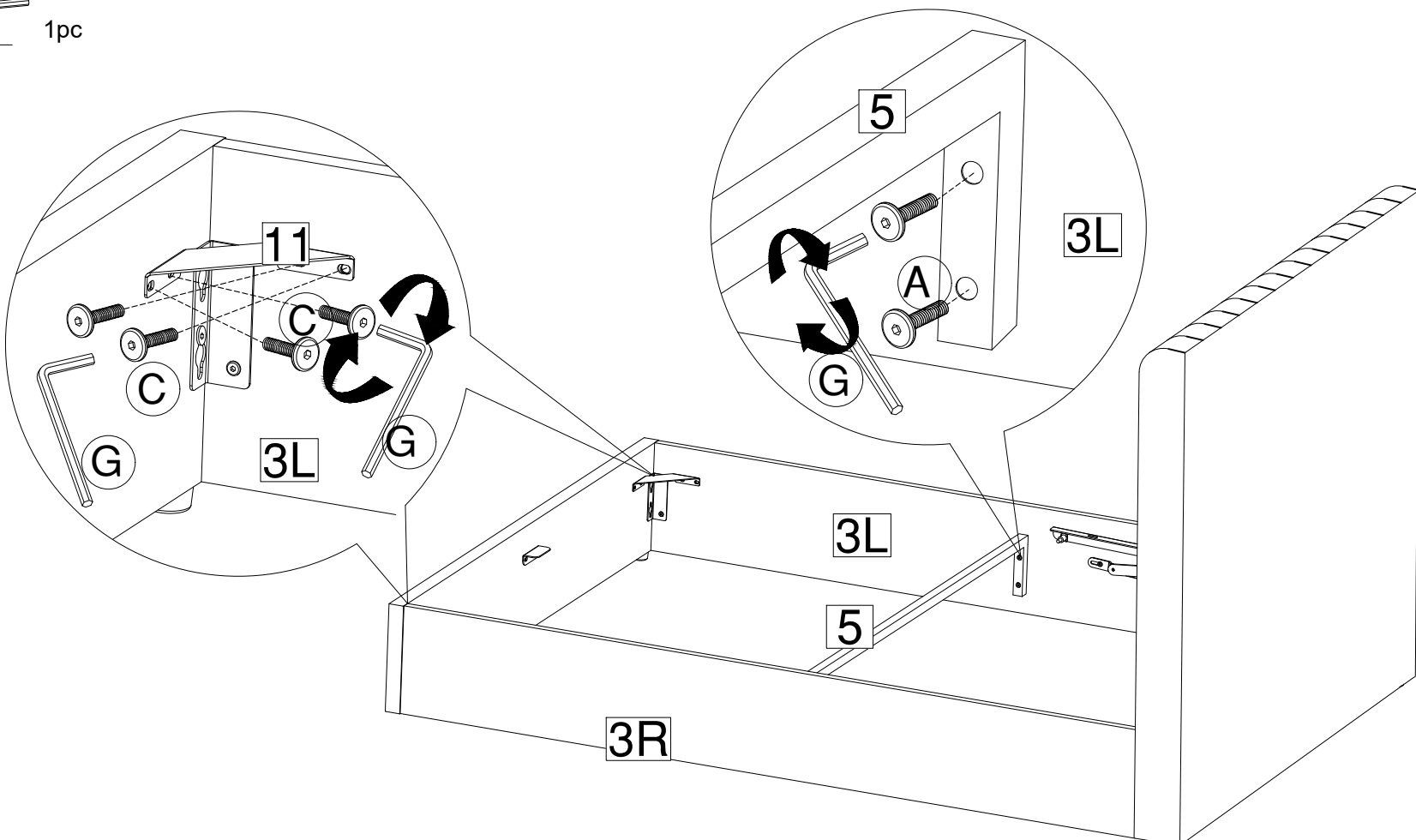


Step 4: Attaching the Central Support Rail & Metal Corner Bracket

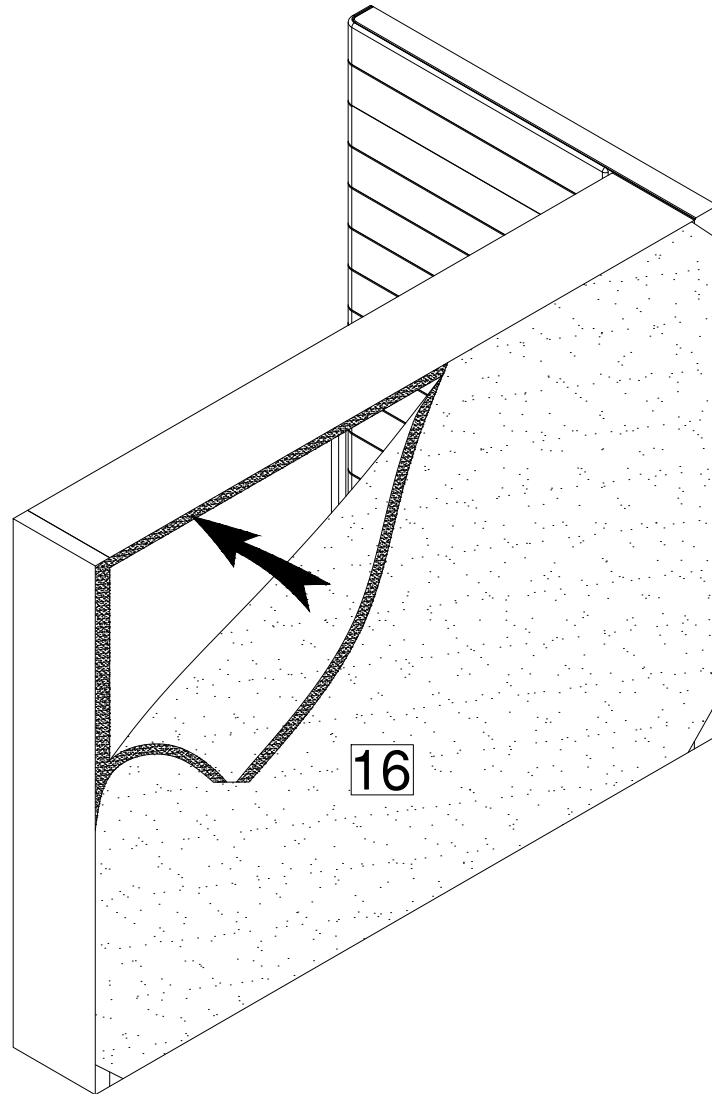
A 4pcs

C 8pcs

G 1pc








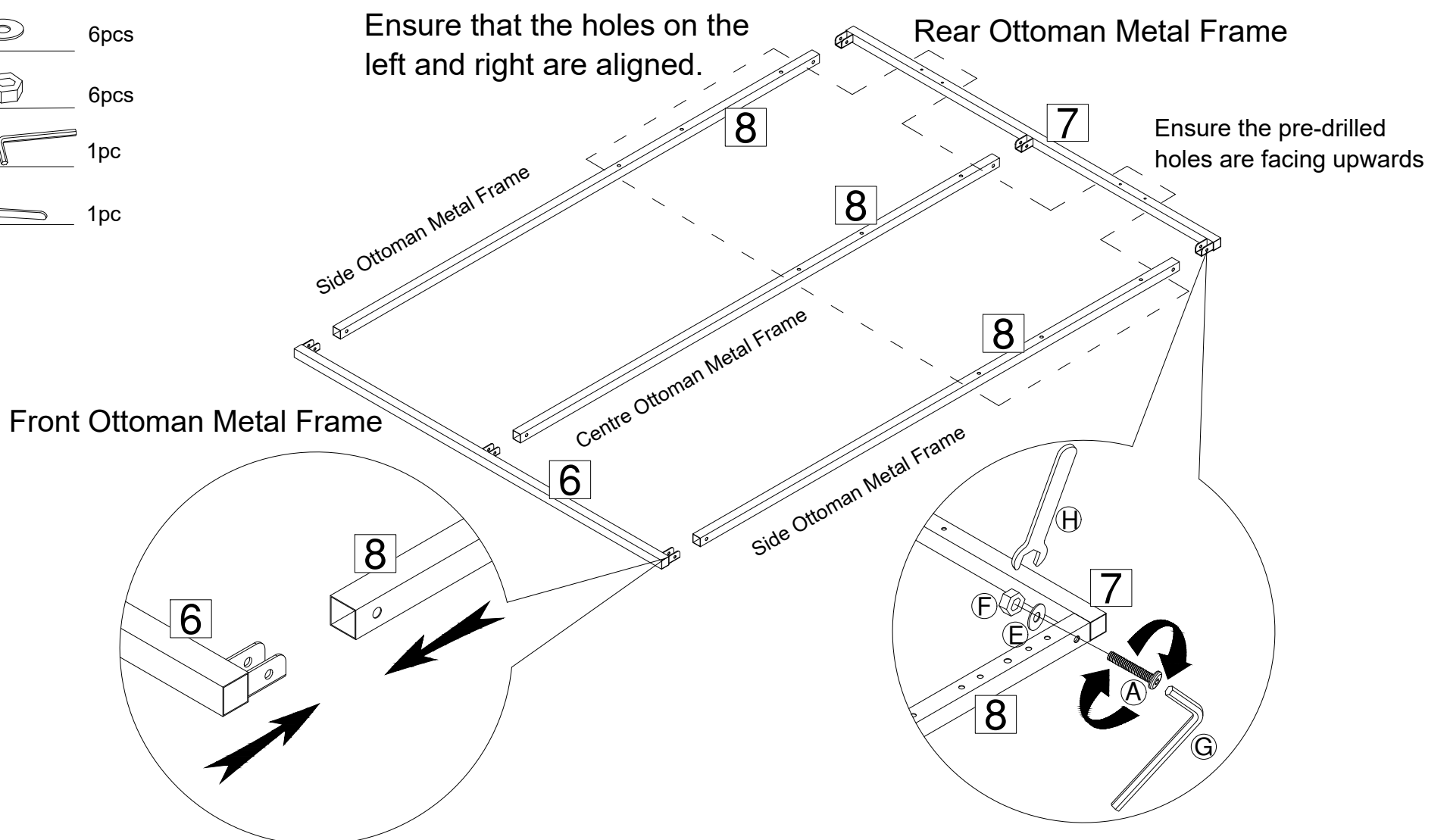
Step 5: Fabric Base Attachment








With an assistant, carefully lift both the Headboard & Footboard at the same time, do not let the bed frame twist. Lift and turn the bed frame on its side holding the bed upright for safety. Attach the Fabric Base (16) to bottom of the Side Rails, Headboard & Footboard with the velcro tape. Ensure the fabric is fixed evenly all round.

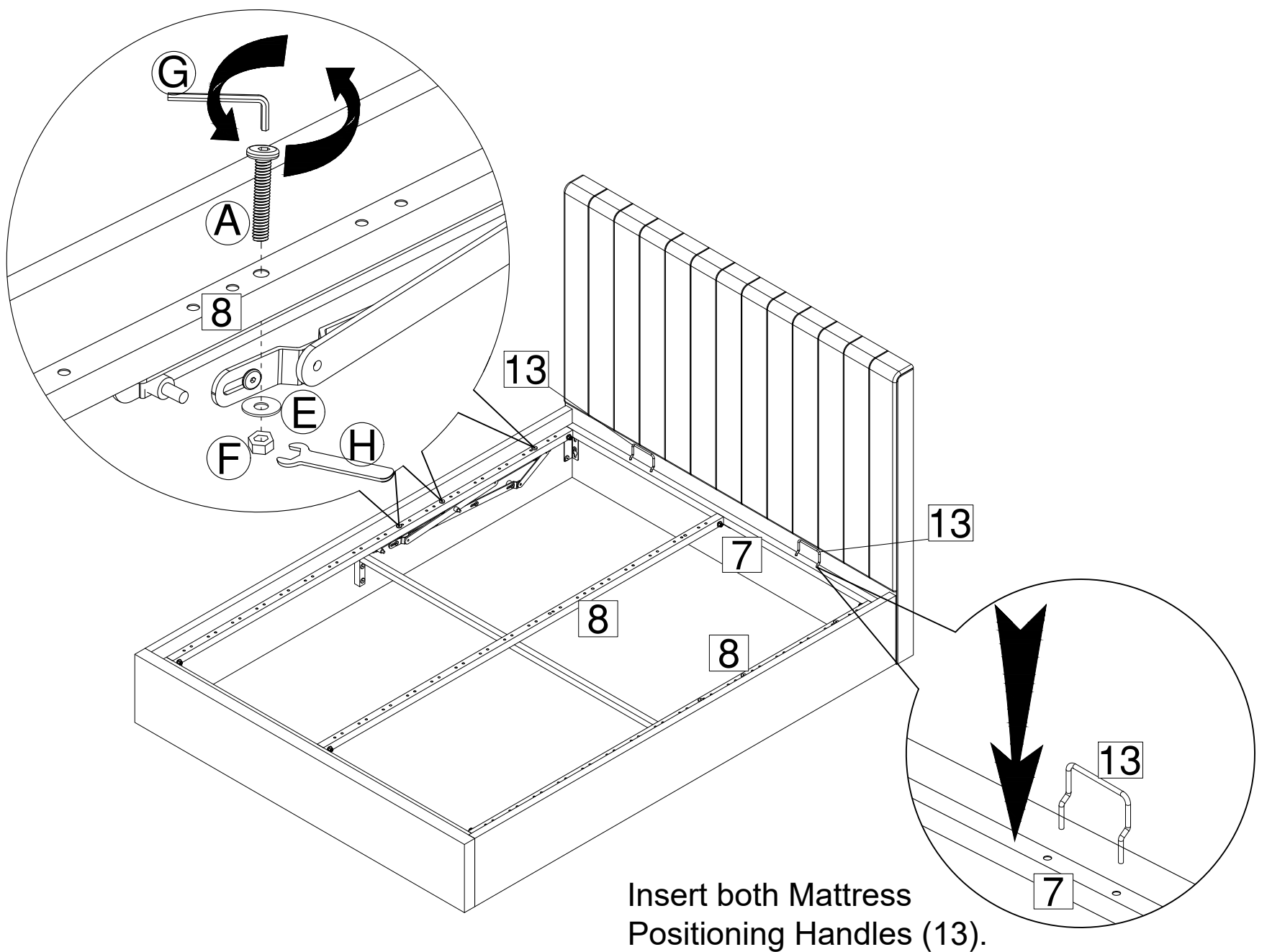
Step 6: Constructing the Ottoman Metal Frame

- (A)  6pcs
- (E)  6pcs
- (F)  6pcs
- (G)  1pc
- (H)  1pc

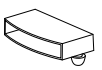



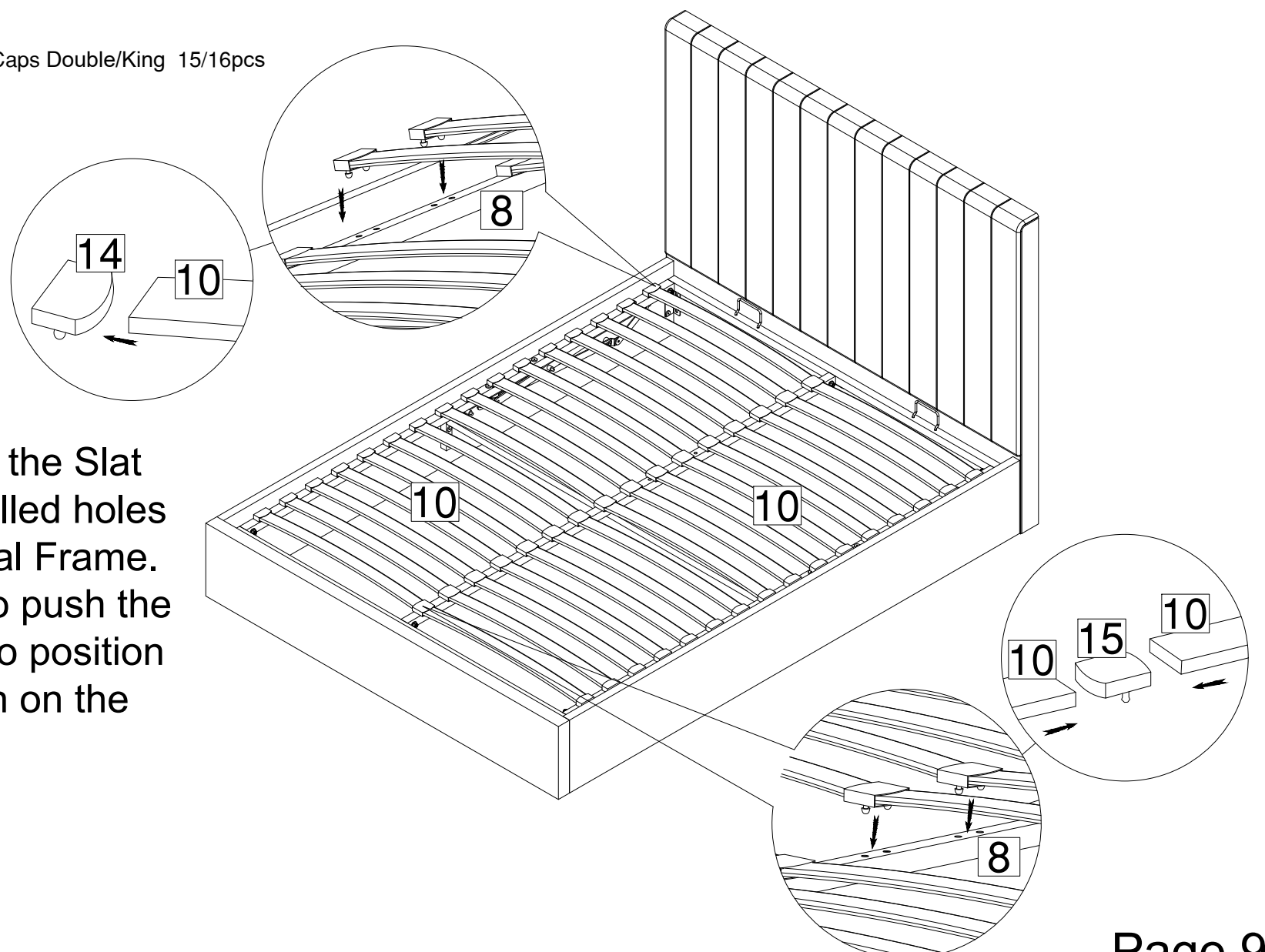
Step 7: Screw the Ottoman Metal Frame to each Lift Mechanism

- A**  6pcs
- E**  6pcs
- F**  6pcs
- G**  1pc
- H**  1pc



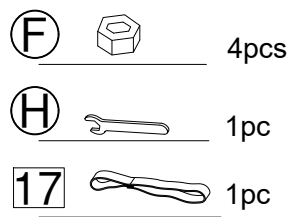
Step 8: Attaching the Slat Caps to the Ottoman Bed Frame

- 14**  Side Slat Caps Double/King 30/32pcs
- 15**  Centre Slat Caps Double/King 15/16pcs

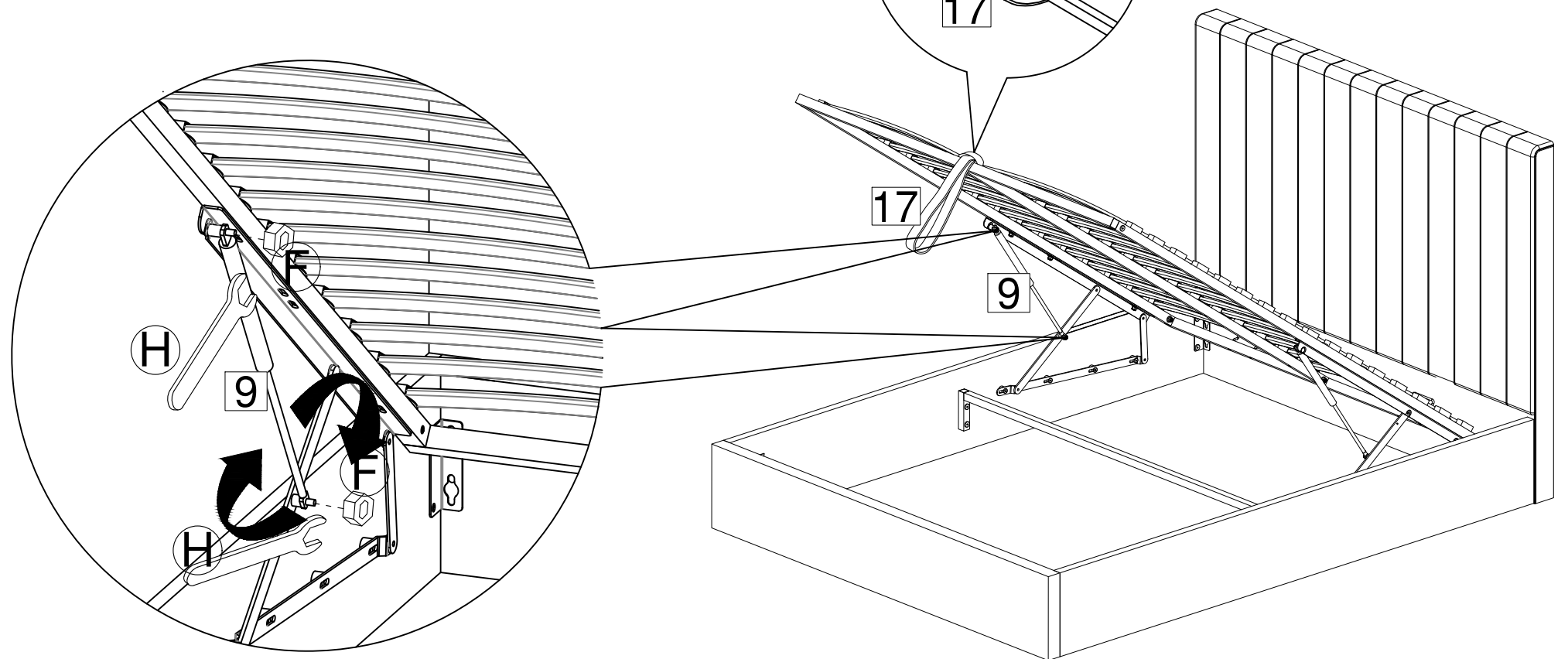


Push down firmly on the Slat Caps into the pre-drilled holes on the Ottoman Metal Frame. It is recommended to push the Centre Slat Caps into position before pushing down on the Side Slat Caps.

Step 9: Attaching the Gas Stuts to Lift Mechanisms



Attach the Strap (17) to the Center Ottoman Metal Frame, at the Footboard end.



Care and Maintenance

Here are some good tips to keep your new ottoman bed frame in tip-top condition.

Cleaning

To clean your new ottoman bed frame, we advise using a damp cloth if the fabric is dusty or a low suction vacuum. Do not use abrasive chemicals or bleach as this may damage the product.

Checking and moving

Periodically, we recommend you check that the screws and fixtures haven't become loose over time. To move your bed frame, we recommend lifting it where possible, as dragging or pushing it could cause damage to the legs or flooring.

Fabric

Please note, depending on the lighting, positioning and surroundings of your room, the shade of the fabric will appear differently. Over a period of time, the fabric may also lighten or fade slightly due to light exposure.