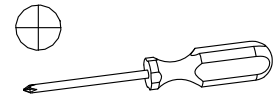
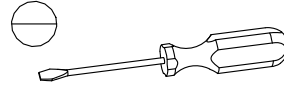
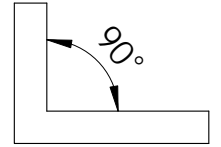
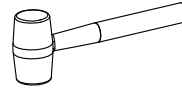
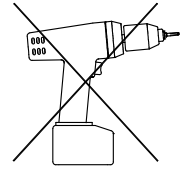


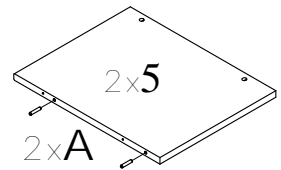
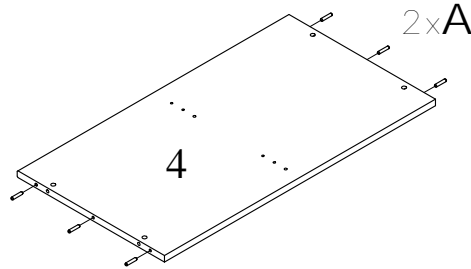
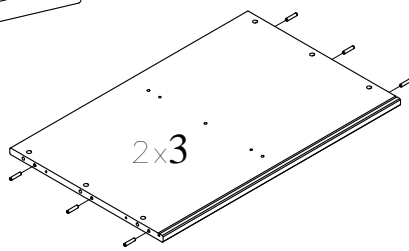
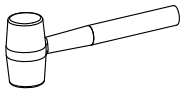
30 min



A		6x30	x22
B		6,5x27	x14
C		10x11	x14
D		4,2x45	x8
E		4x30	x4

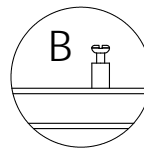
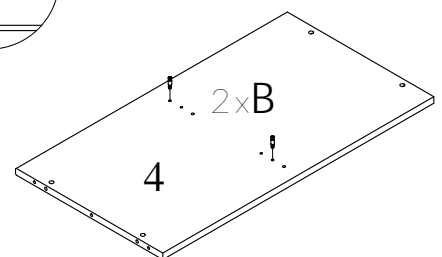
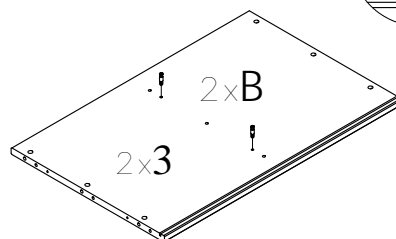
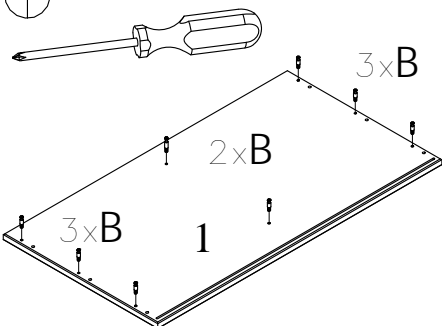
F		3x16	x3
G		3,5x20	x8
H		D40x20	x4
J		D10x15	x6

①



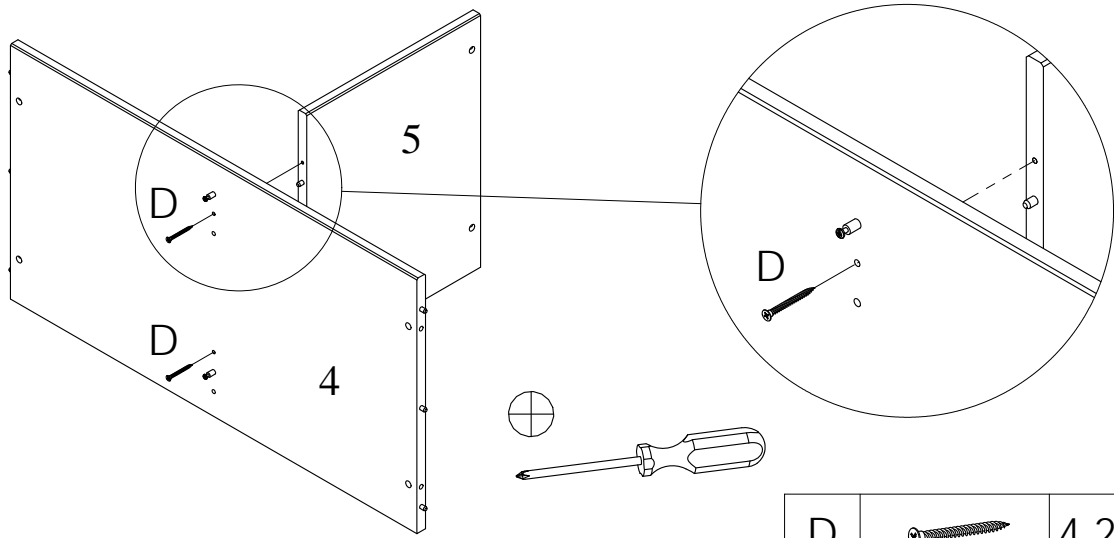
A		6x30	x22
---	--	------	-----

②



B		6,5x27	x14
---	--	--------	-----

3



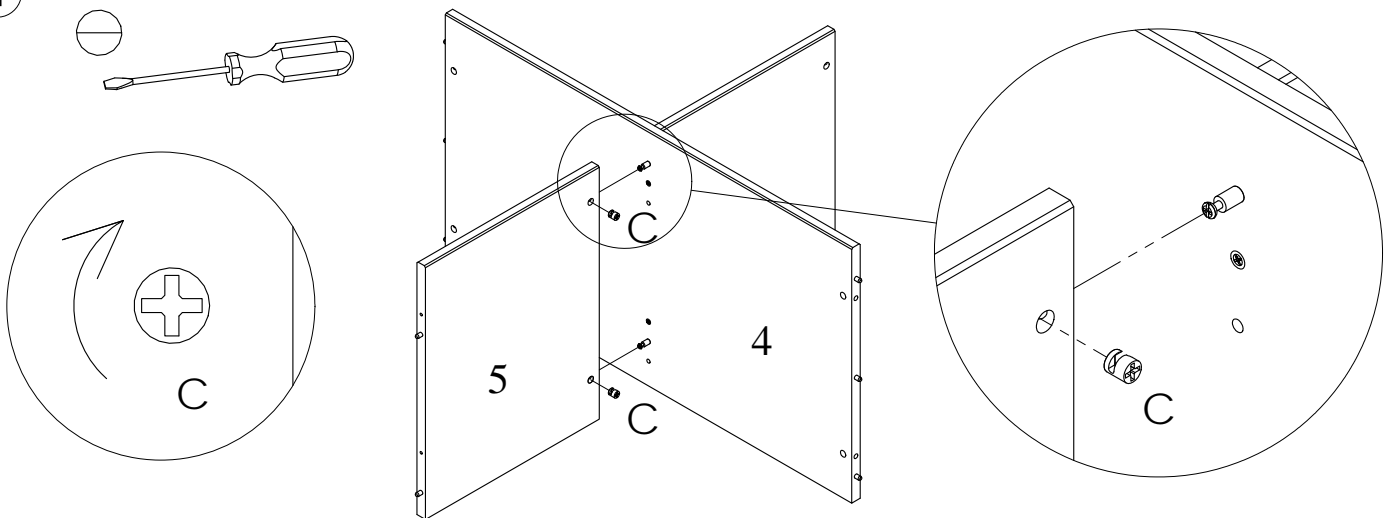
D



4,2x45

x2

4



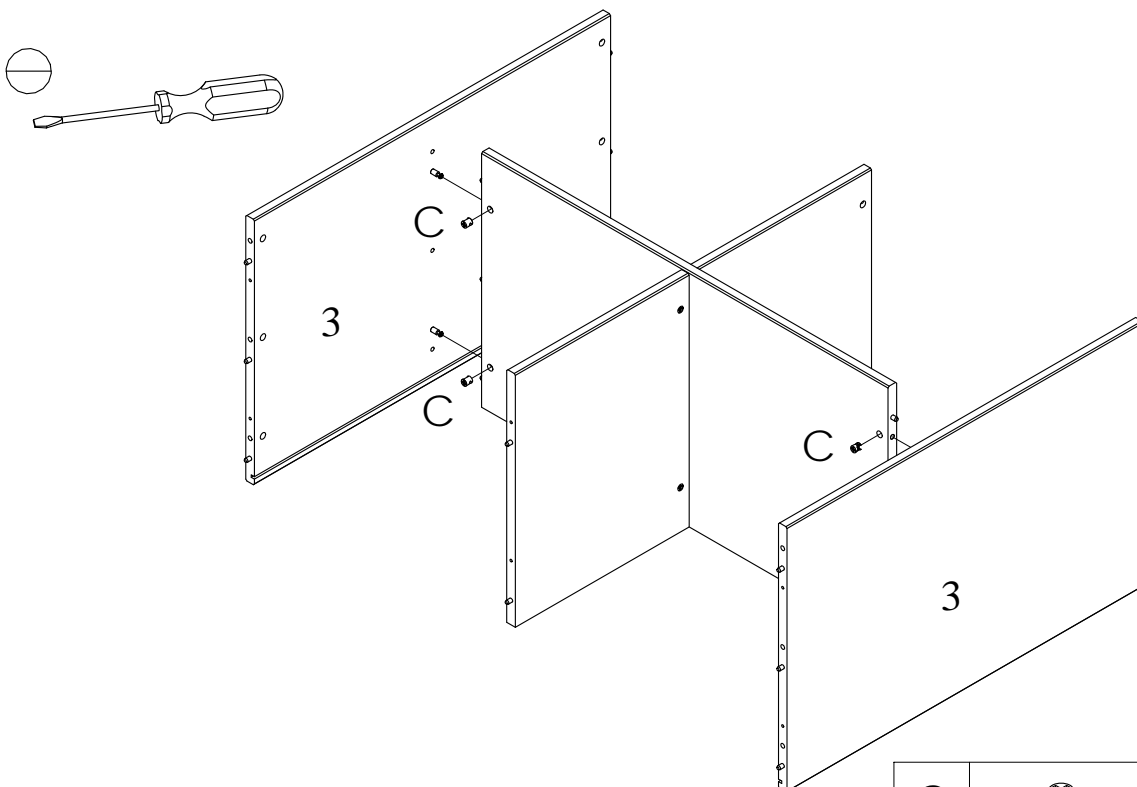
C



10x11

x2

5



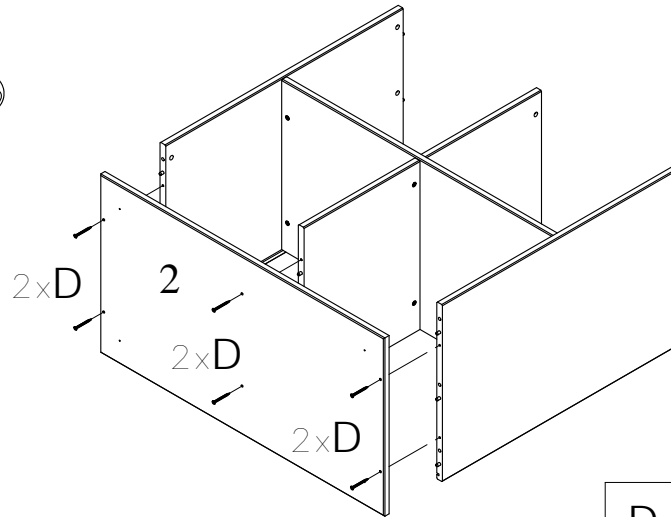
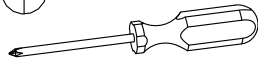
C



10x11

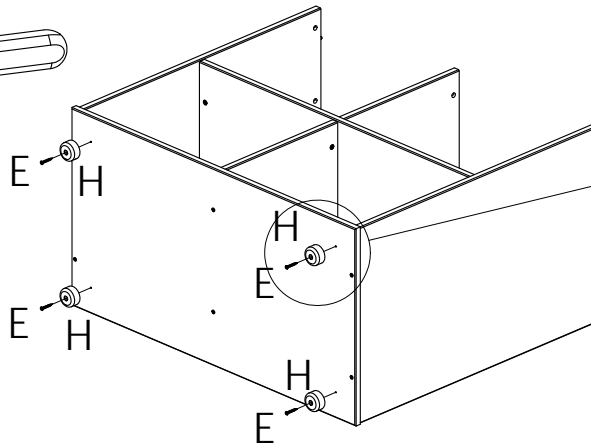
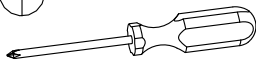
x4

6



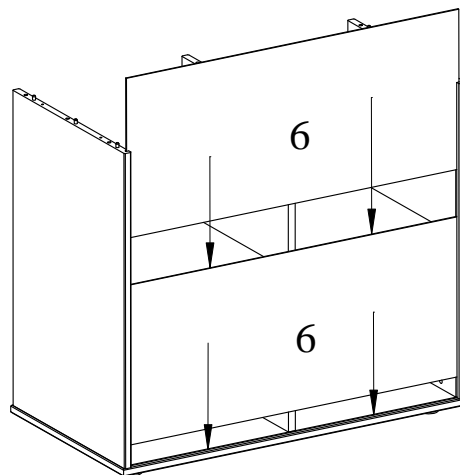
D		4,2x45	x6
---	--	--------	----

7

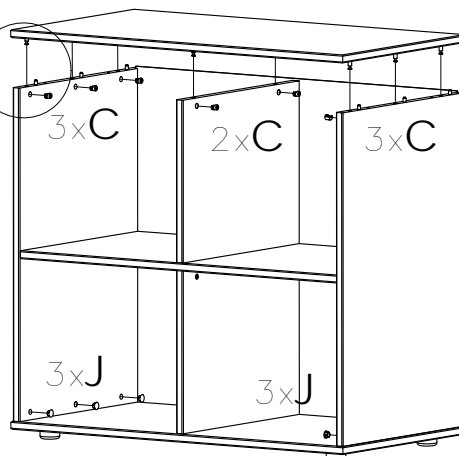
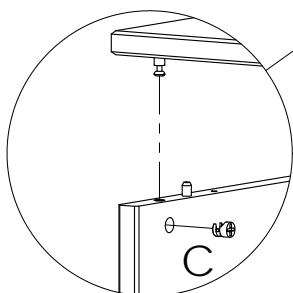
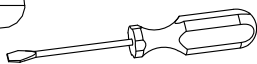


H		D40x20	x4
E		4x30	x4

8

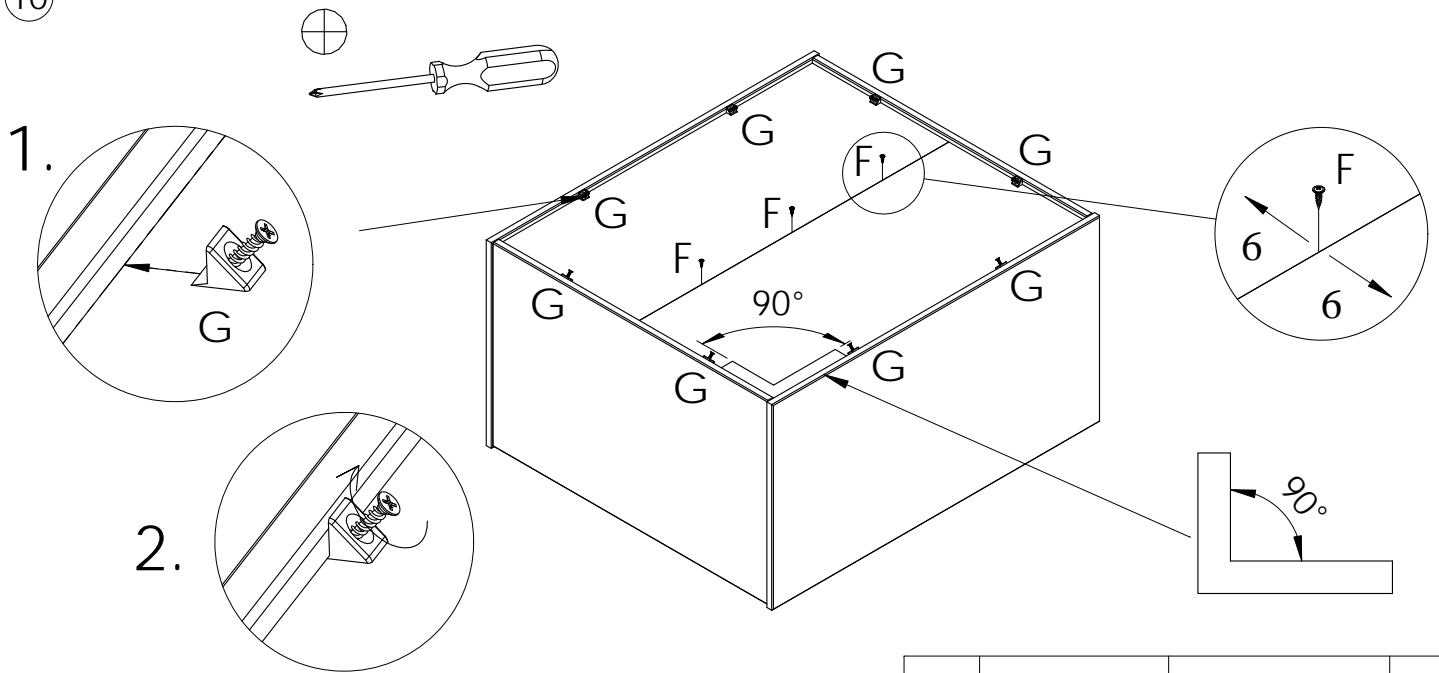




9

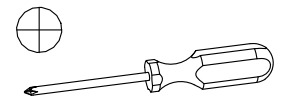
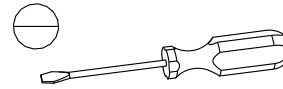
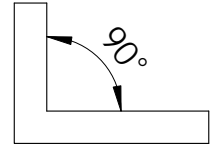
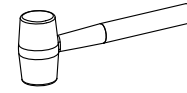
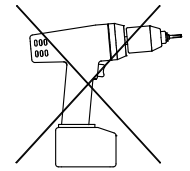
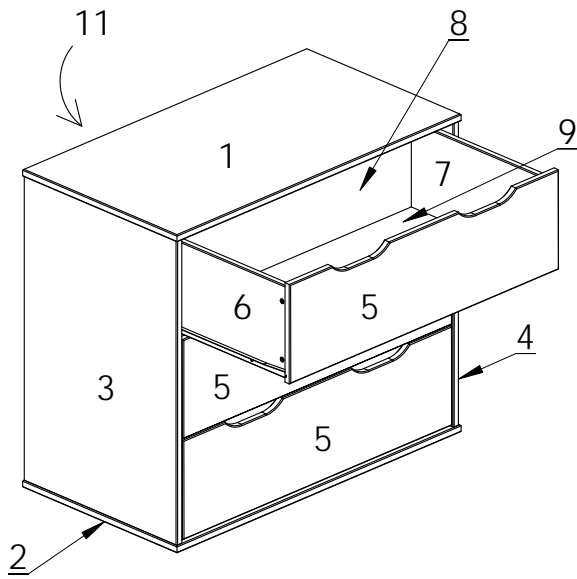


C		10x11	x8
J		D10x15	x6

10



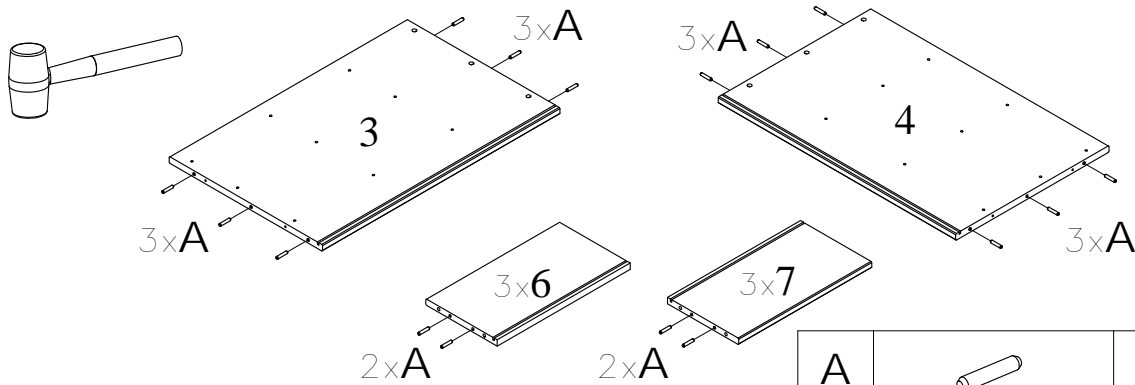
F		3x16	x3
G		3,5x20	x8



A		6x30	x24
B		6,5x27	x18
C		10x11	x18
D		4,2x45	x4
E		3,5x35	x12
F		4x30	x4

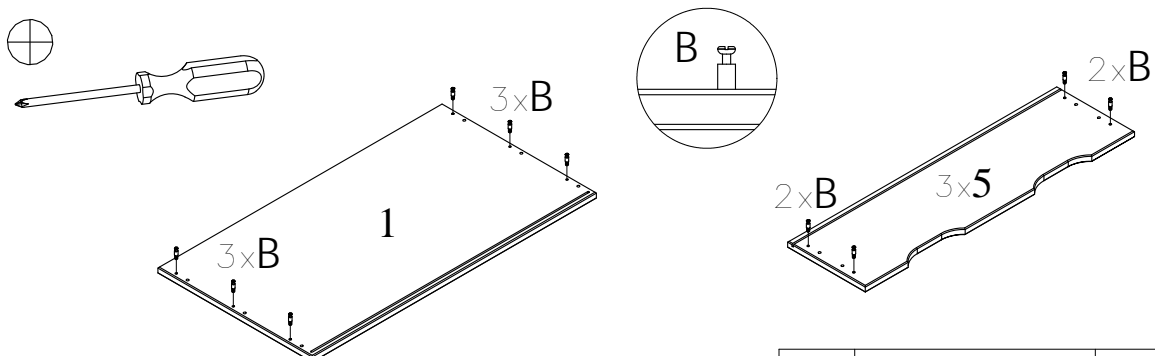
G		D39x20	x4
H		350mm	x3
J		11/5,8x6,5	x30
K		758mm	x1
L		3,5x20	x8

①



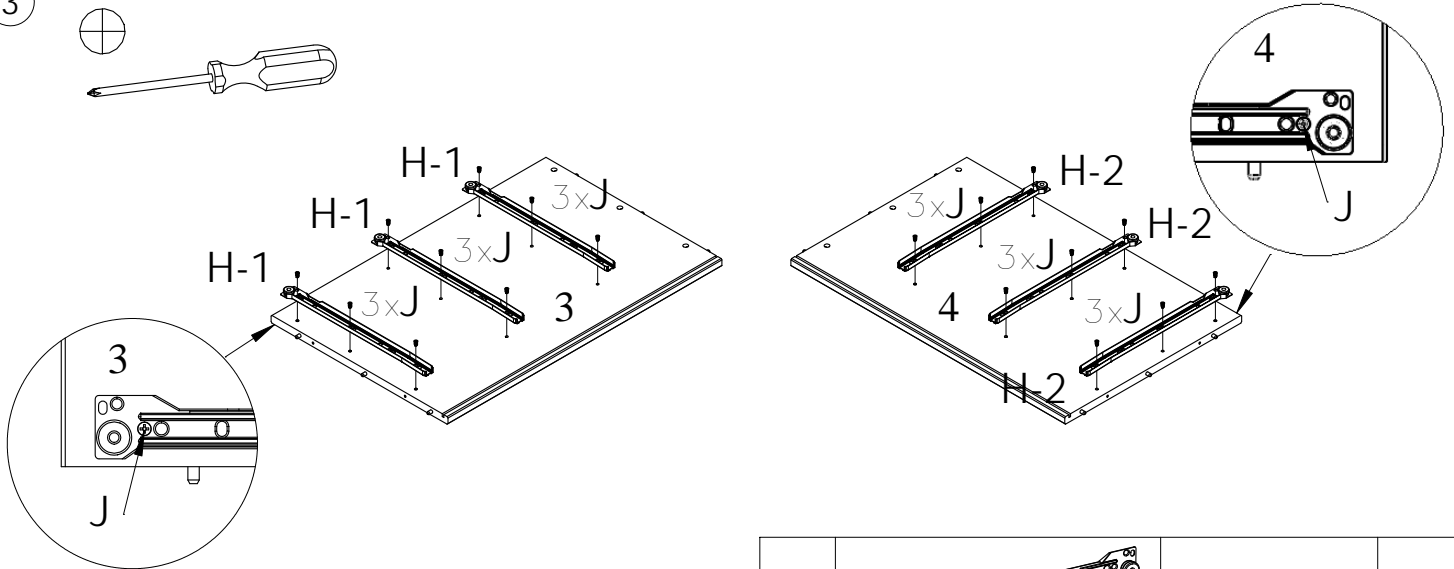
A		6x30	x24
---	--	------	-----

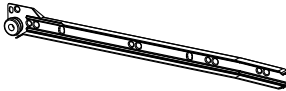
②

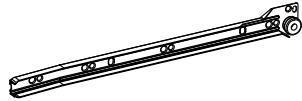



B		6,5x27	x18
---	--	--------	-----

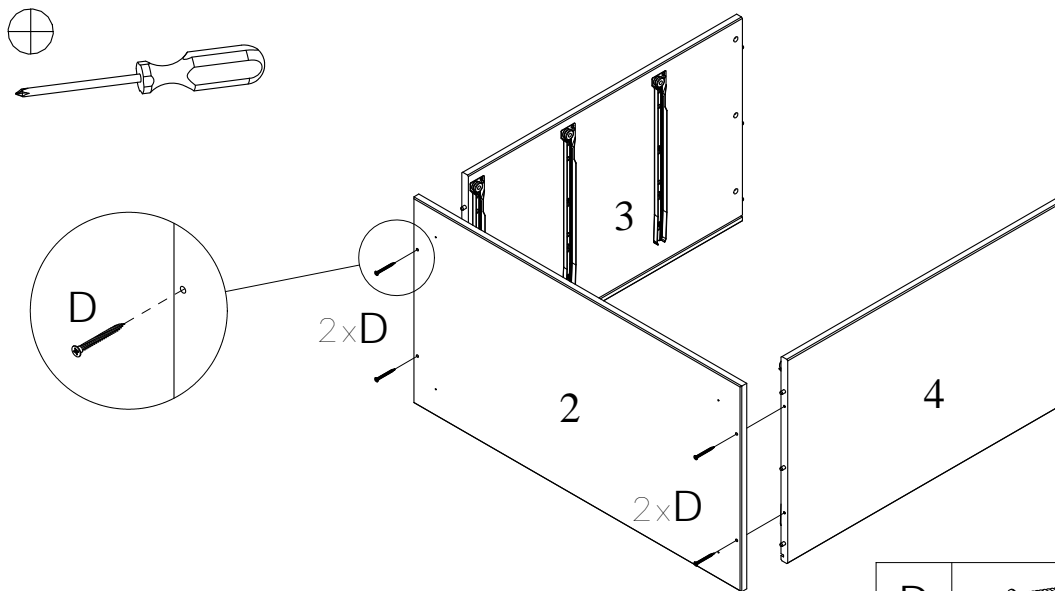
3




H-1		350mm	x3
-----	---	-------	----

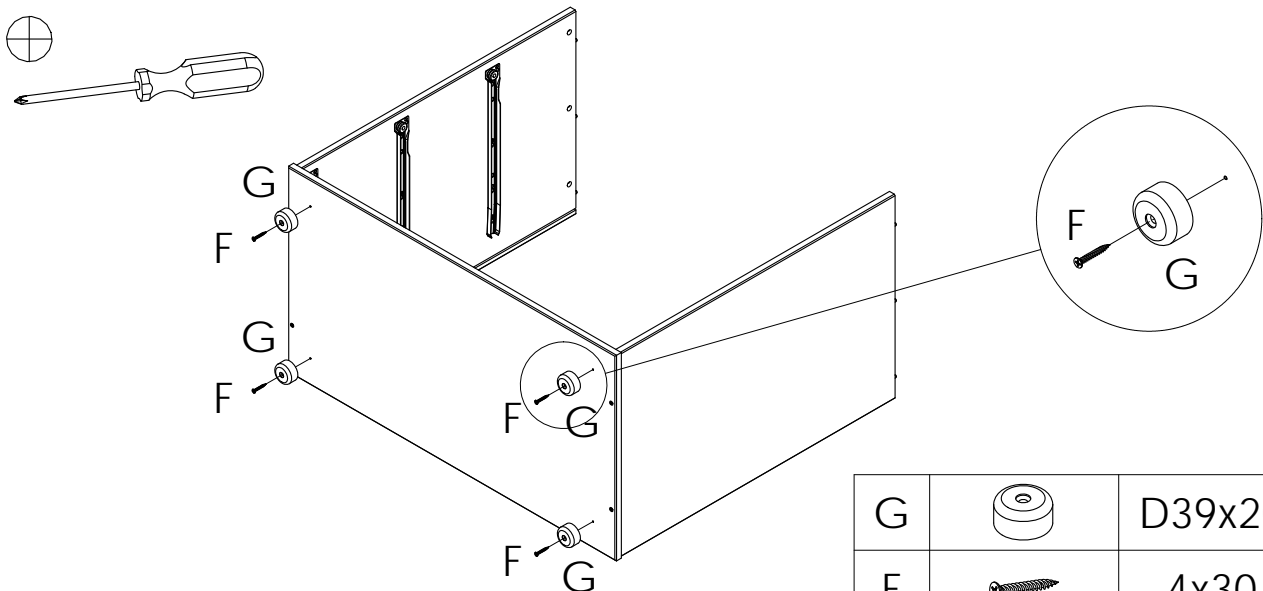
H-2		350mm	x3
J		11/5,8x6,5	x18



4



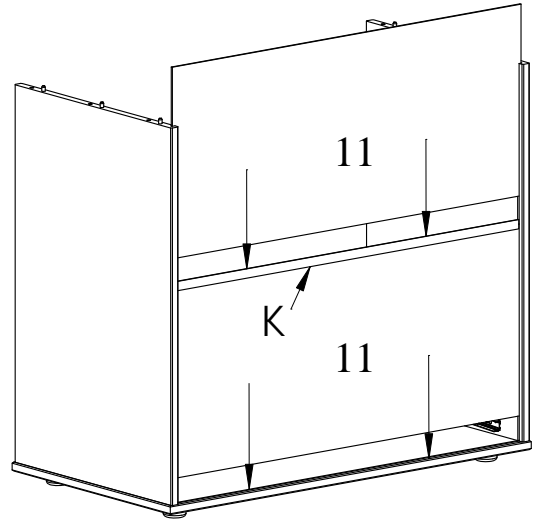
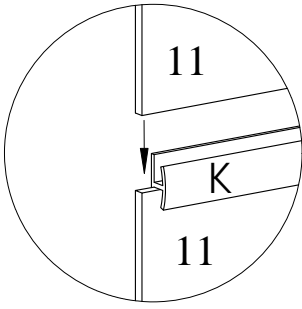
D		4,2x45	x4
---	---	--------	----


5



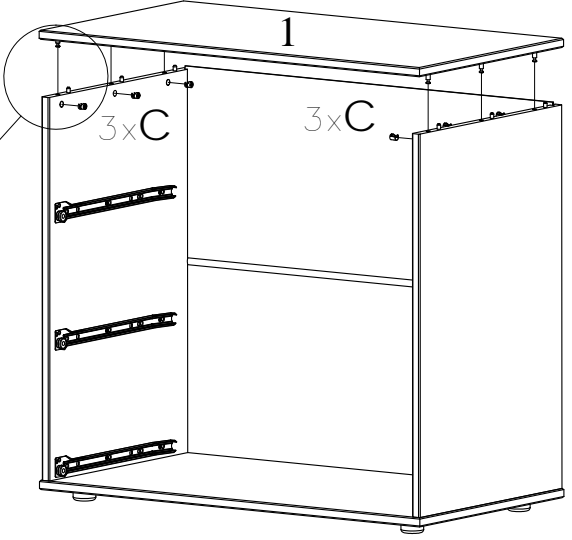
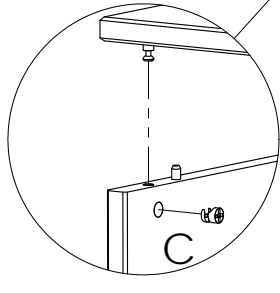
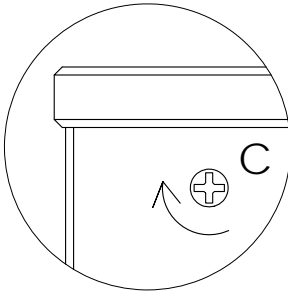
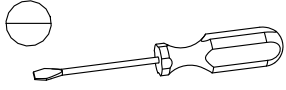
G		D39x20	x4
F		4x30	x4


6



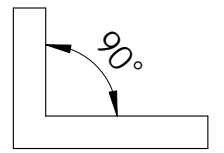
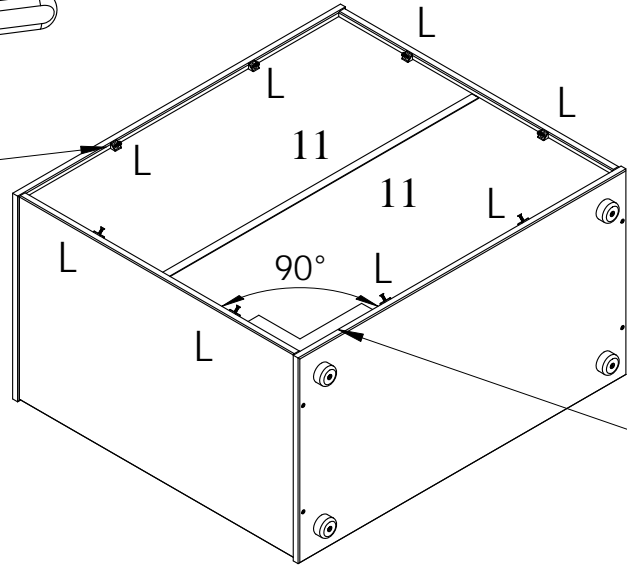
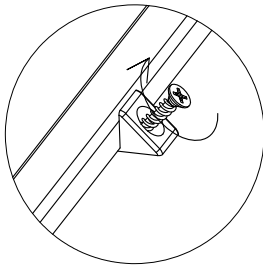
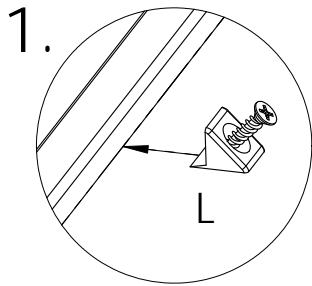
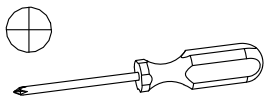
K		758mm	x1
---	---	-------	----


7



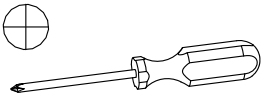
C		10x11	x6
---	---	-------	----

8

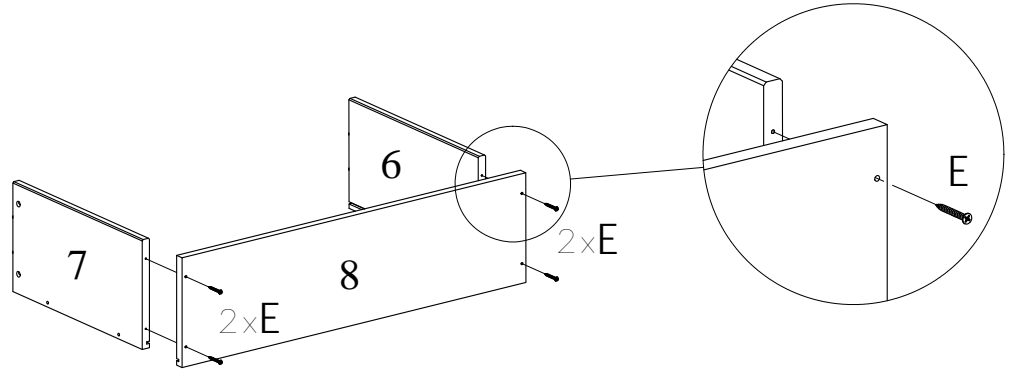


L		3,5x20	x8
---	---	--------	----

9

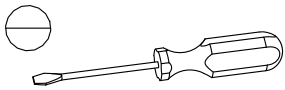


3x

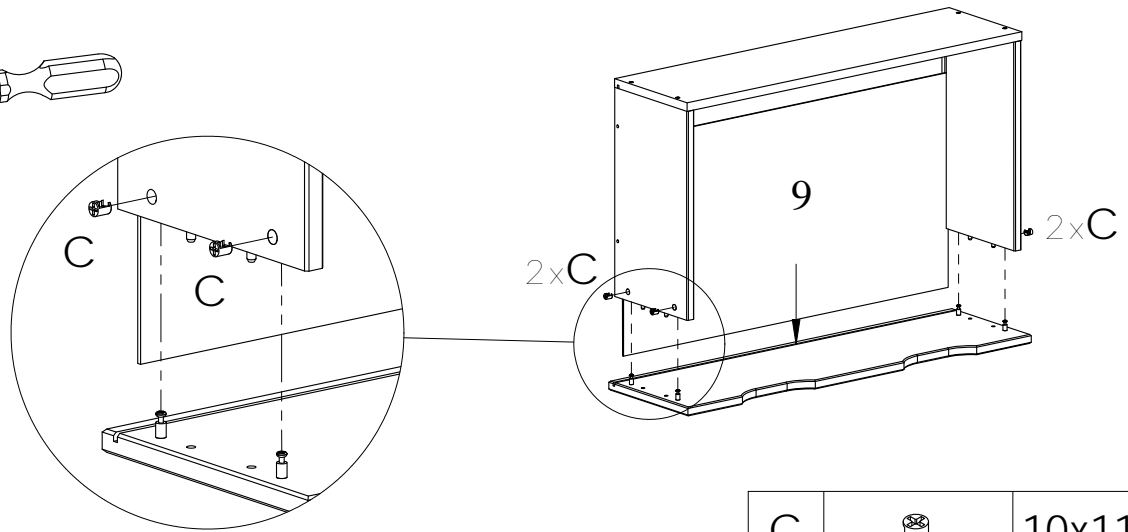


E		3,5x35	x12
---	--	--------	-----

10

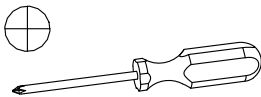


3x

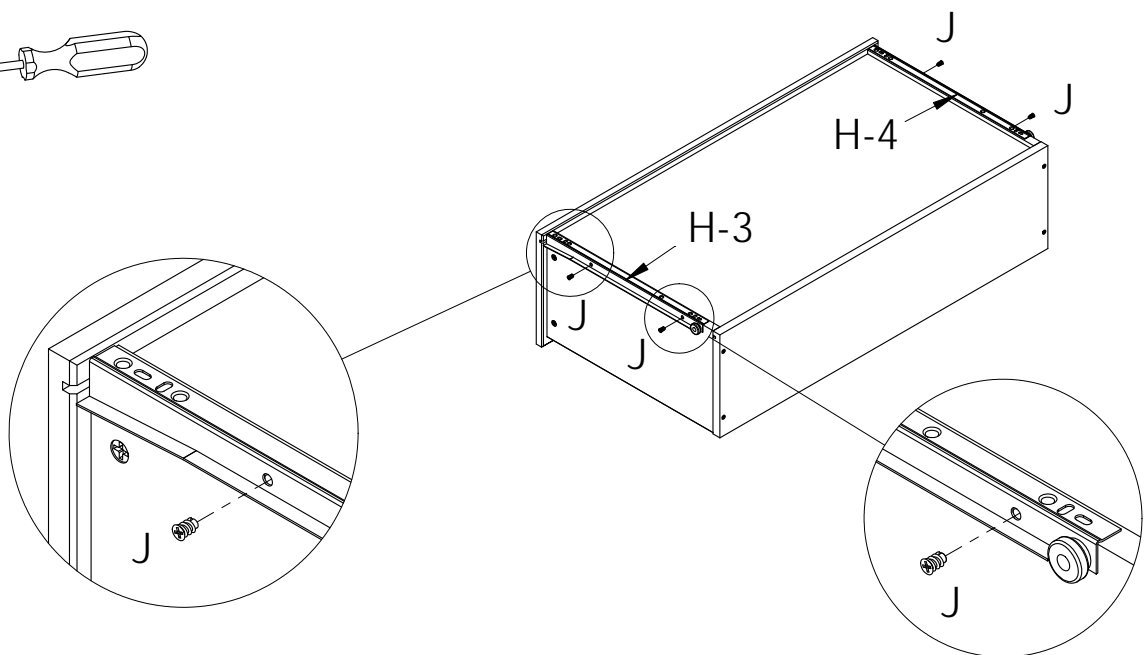


C		10x11	x12
---	--	-------	-----

11



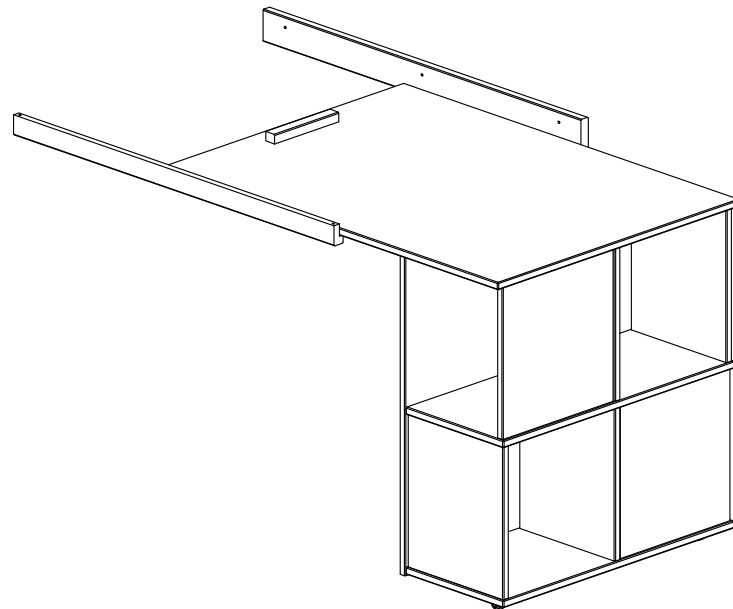
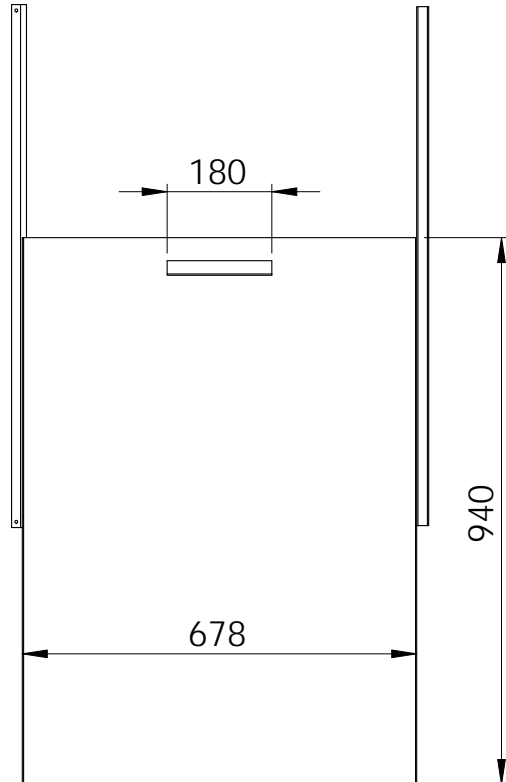
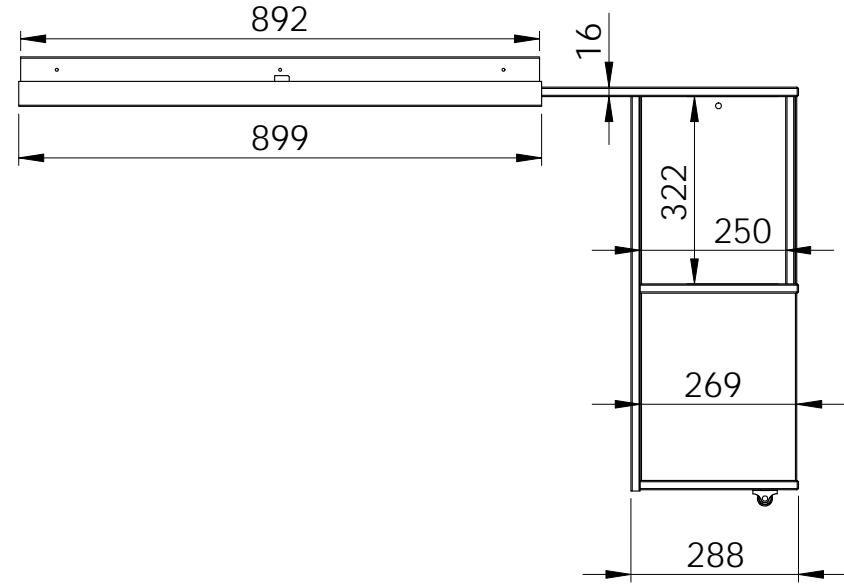
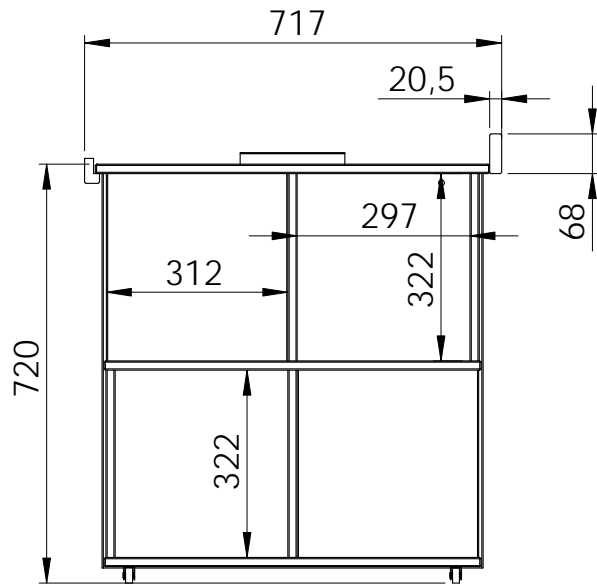
3x



H-3		350mm	x3
-----	--	-------	----

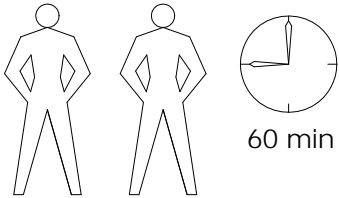
H-4		350mm	x3
J		11/5,8x6,5	x12

VL511

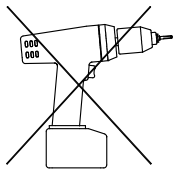
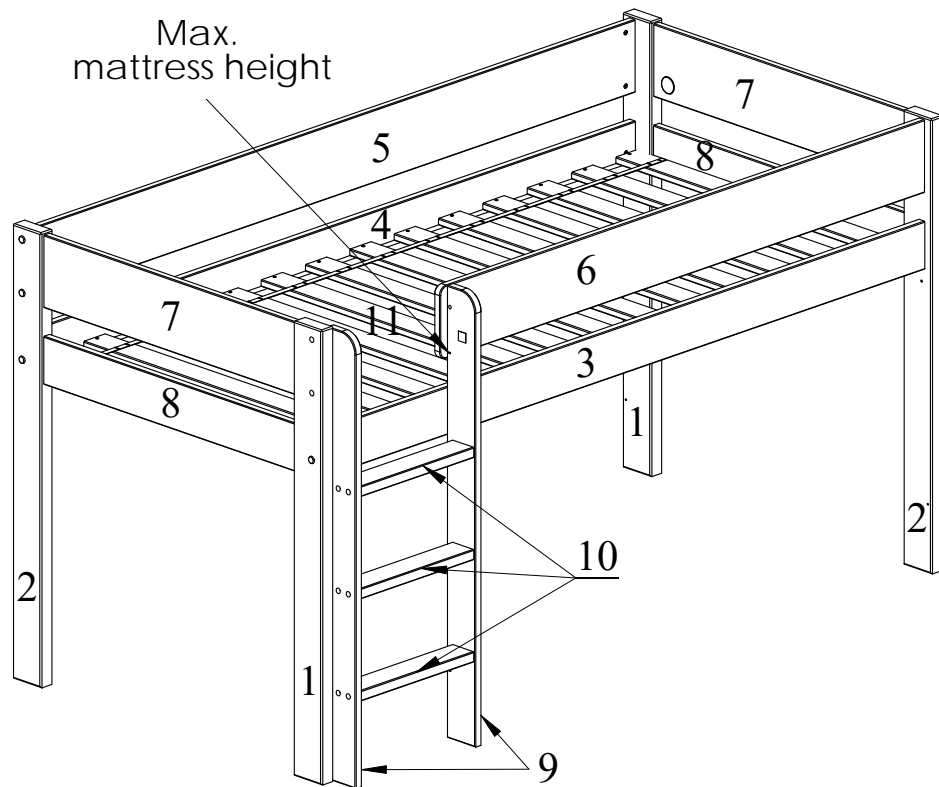


IMPORTANT - READ CAREFULLY - KEEP FOR FUTURE REFERENCE

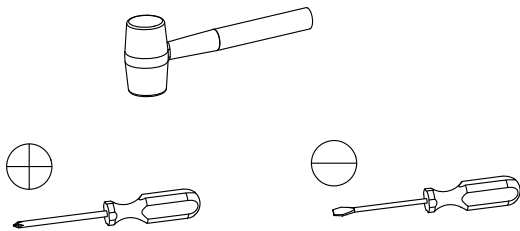
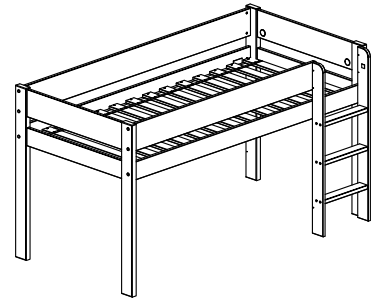
- a) **WARNING** Raised beds and the upper bed in a bunk bed assembly are not good for children under 6 years old because of the risk of injury from falling from such beds,
- b) **WARNING** If the raised and bunk beds are not used correctly, they can present a serious risk of injury from strangulation. Never attach or suspend things from the upper bunk bed that are not going to be used with that bed.
Such things include - but are not limited to - cords, string, sashes, hooks, belts and bags.
- c) **WARNING** Children can find themselves trapped between the bed and wall, or inclined roof wall, ceiling, adjacent pieces of furniture (such as cupboards) or other items.
To avoid any risk of serious injury, the distance between the upper safety barrier and surrounding items should not exceed 75 mm - or the distance should be greater than 230 mm.
- d) **WARNING** Do not use the upper bunk bed or a raised bed if a part of the structure is missing or broken. Spare parts should be requested from the manufacturer or shop.
- e) It is essential that the manufacturer's instructions on assembly and use are followed.
- f) The recommended size of the mattress to be used with the bed is 1900mm x 900mm,
Maximum mattress thickness: 150mm,
- g) Mattresses must be aired to maintain a low humidity and to stop moisture building up in the bed and its surroundings.
- k) The fastenings put in place on assembly should all be properly tightened and regularly checked. Retighten the fastenings as necessary.
- l) This complies with the requirements of the European Safety Standard
NF EN 747-1:2012+A1: 2015.
- m) The presence of a night light could give more safety for a child sleeping in an upper bed.



60 min

Max.
mattress height

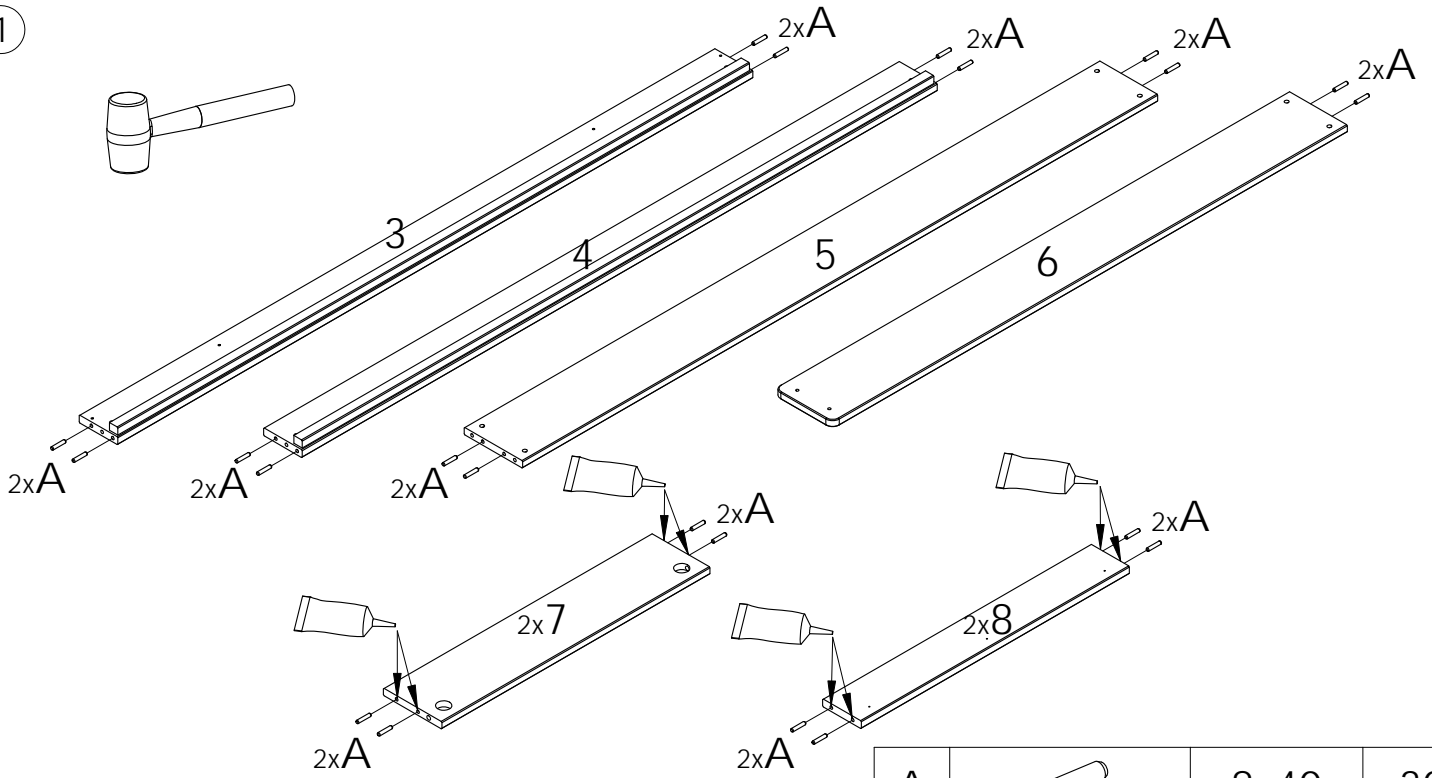
Tools needed (not supplied)

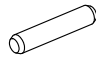
Ladder can be fitted
right or left side.

A		8x40	x30
B		D35	x4
C		7x60	x4
D		7x50	x12
E		M6x75	x10
F		D6x10x13	x10
G		55/12,5x5	x4
H		3,5x40	x28
J		4,2x35	x1

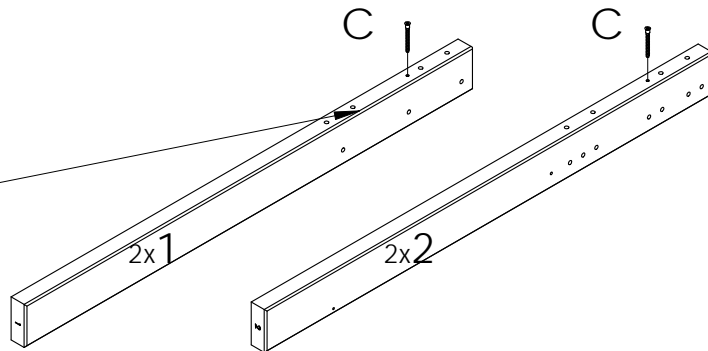
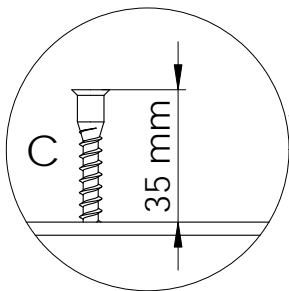
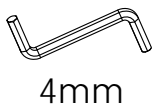
S		5x38	x1
K		D35x12	x4
L		D4x13	x12
M		D8x13	x6
N		D15x18	x10
P		D5x8	x4
Q		4mm	x1
R		GLUE	x1
T		71x30x3	x2


①



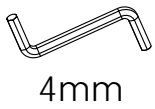
A		8x40	x30
---	---	------	-----

②

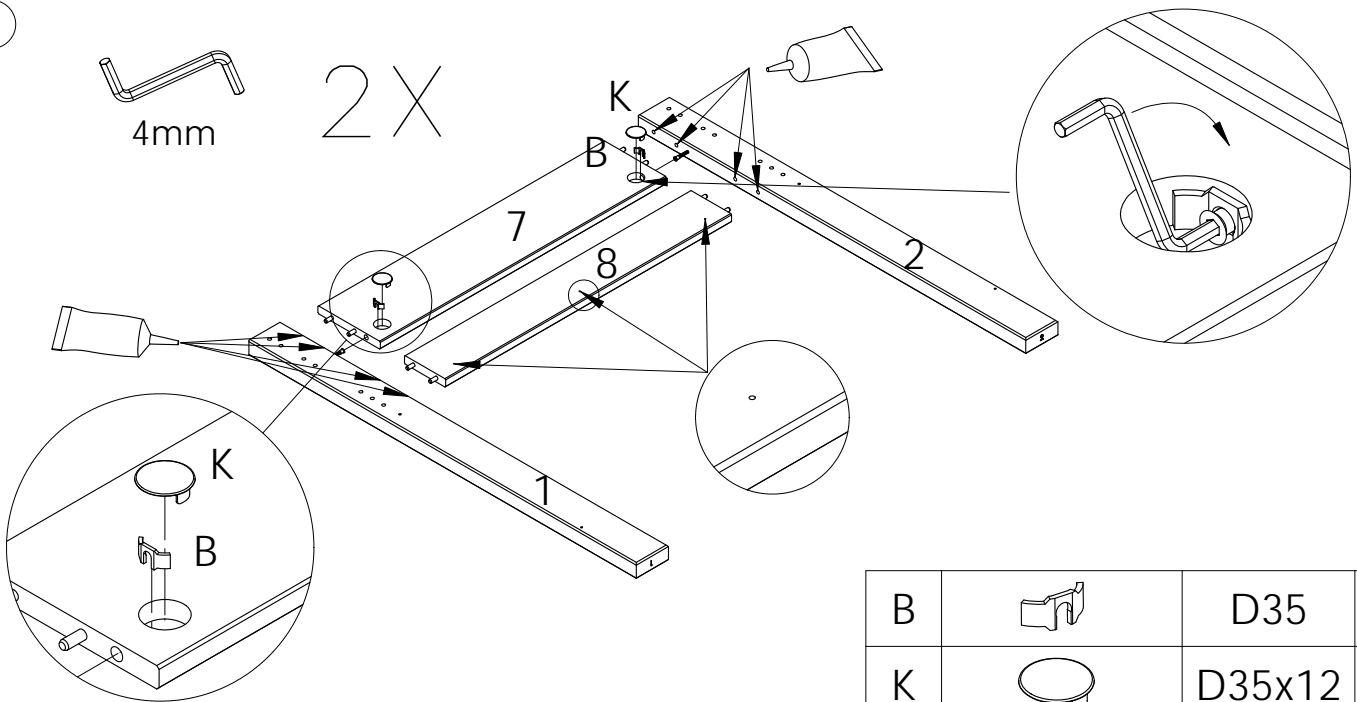


C		7x60	x4
---	---	------	----

③



2X



B		D35	x4
K		D35x12	x4

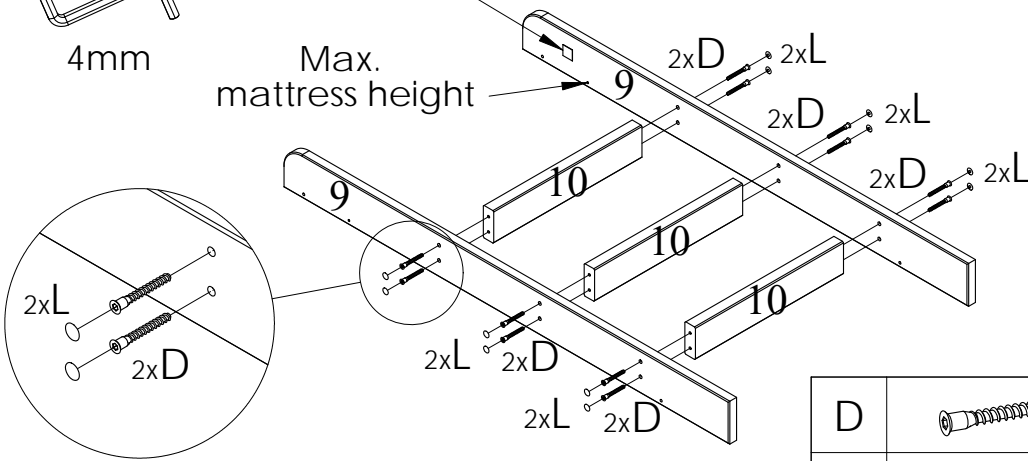
4



4mm

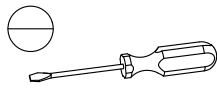
Always placed inside the ladder

Max. mattress height

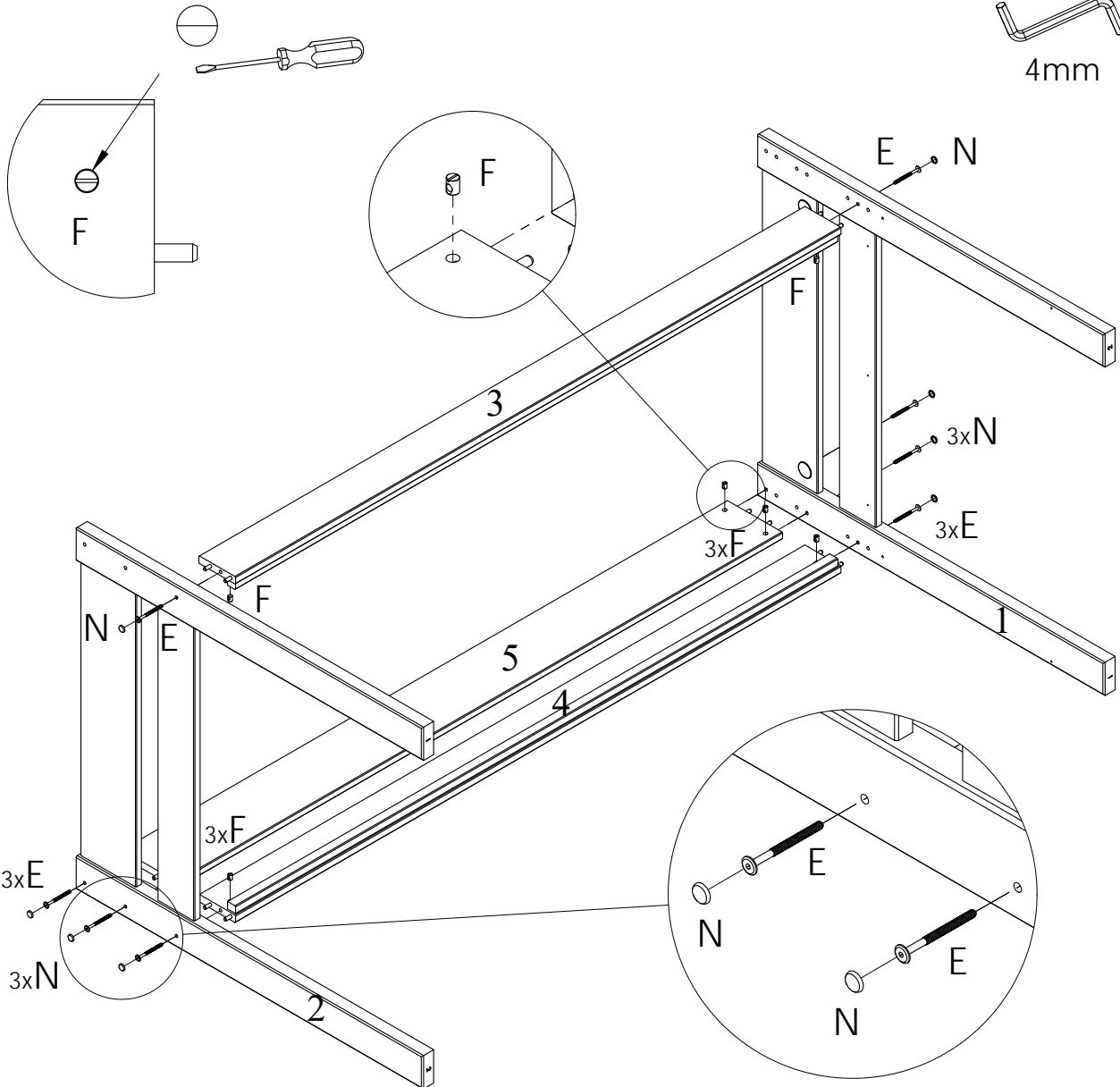


D		7x50	x12
L		D4x13	x12

5



4mm



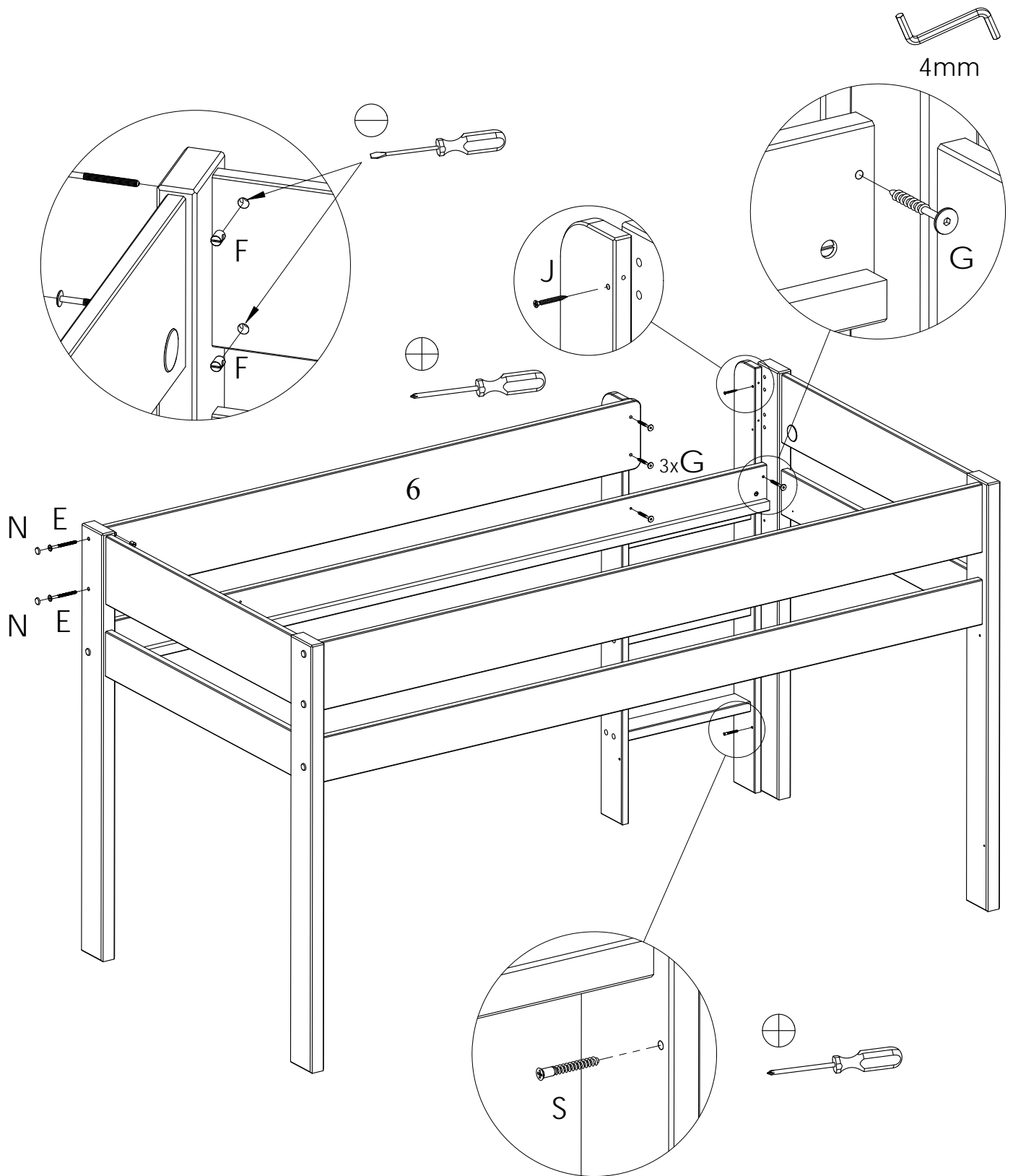
E		M6x75	x8
F		M6x10x13	x8




N		D15x18	x8
---	--	--------	----

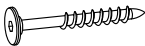


6

Decide which side to attach ladder.

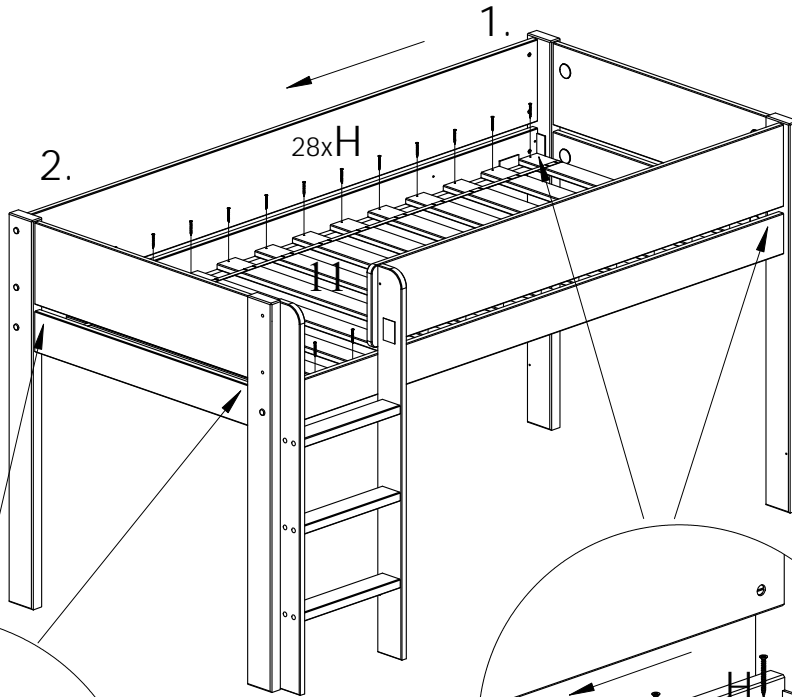
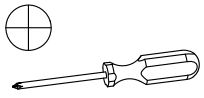
ASSEMBLING LADDER LEFT SIDE



E		M6x75	x2
F		M6x10x13	x2
S		5x38	x1

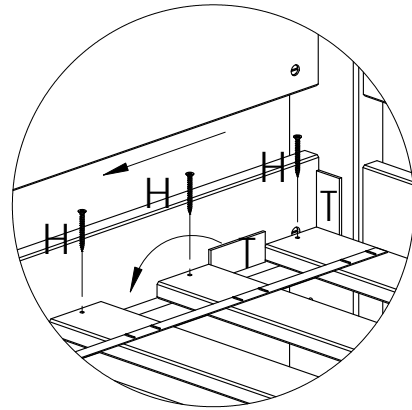
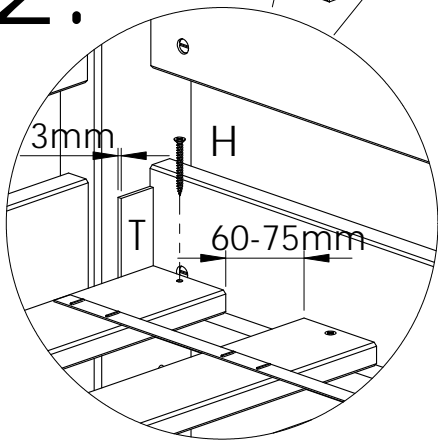
G		55/12,5x5	x4
J		4,2x35	x1
N		D15x18	x2



7



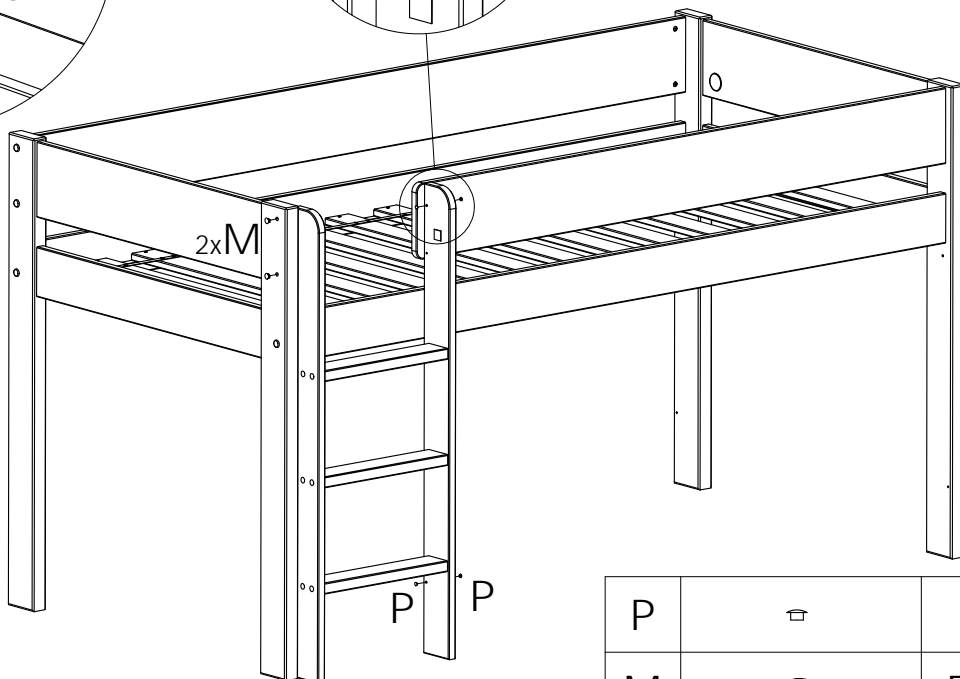
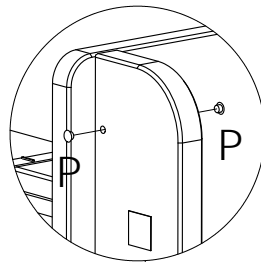
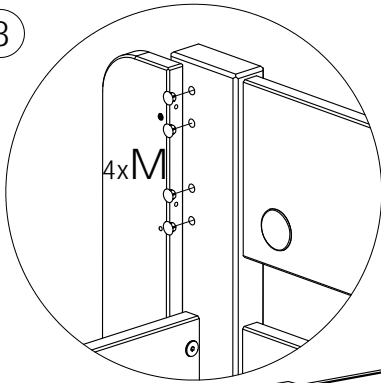
2.



1.



H		3,5x40	x28
T		71x30x3	x2

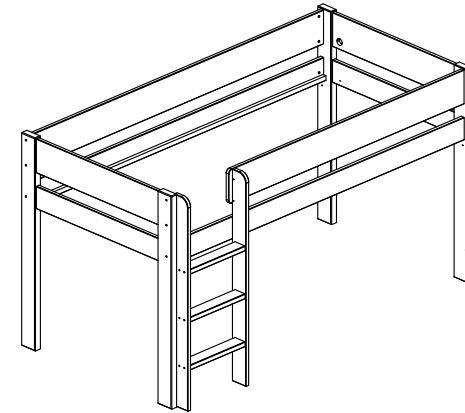
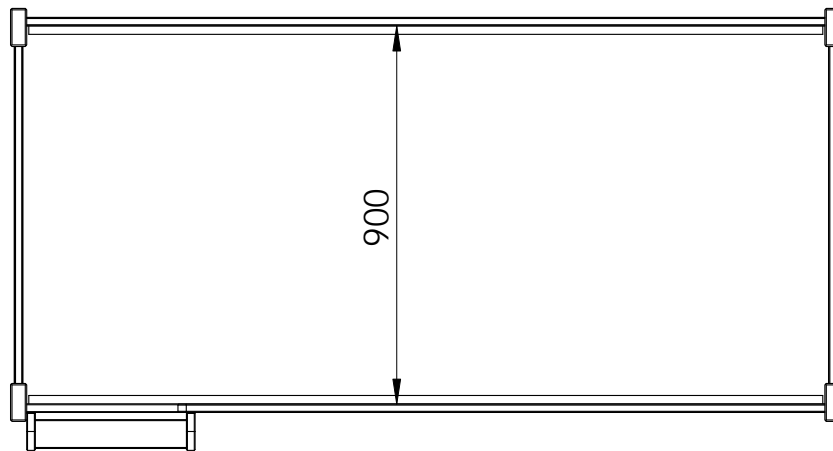
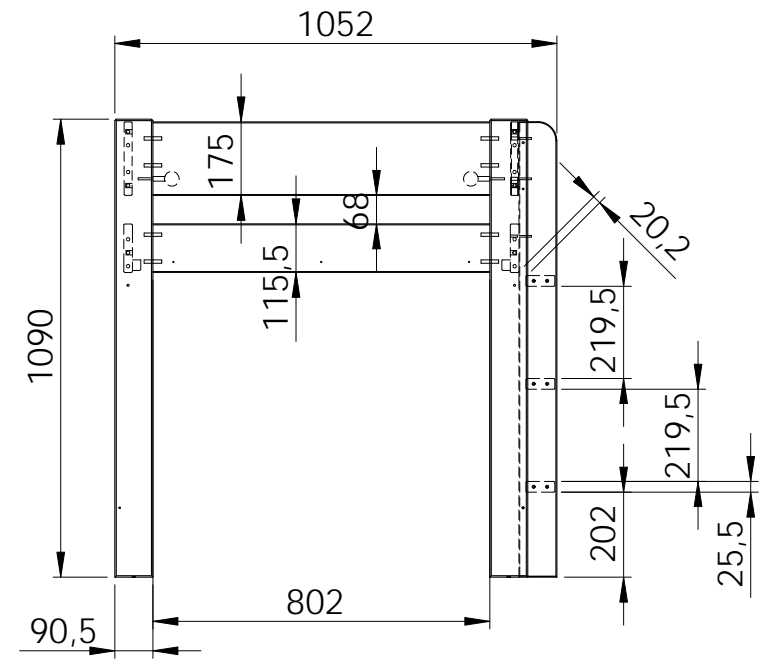
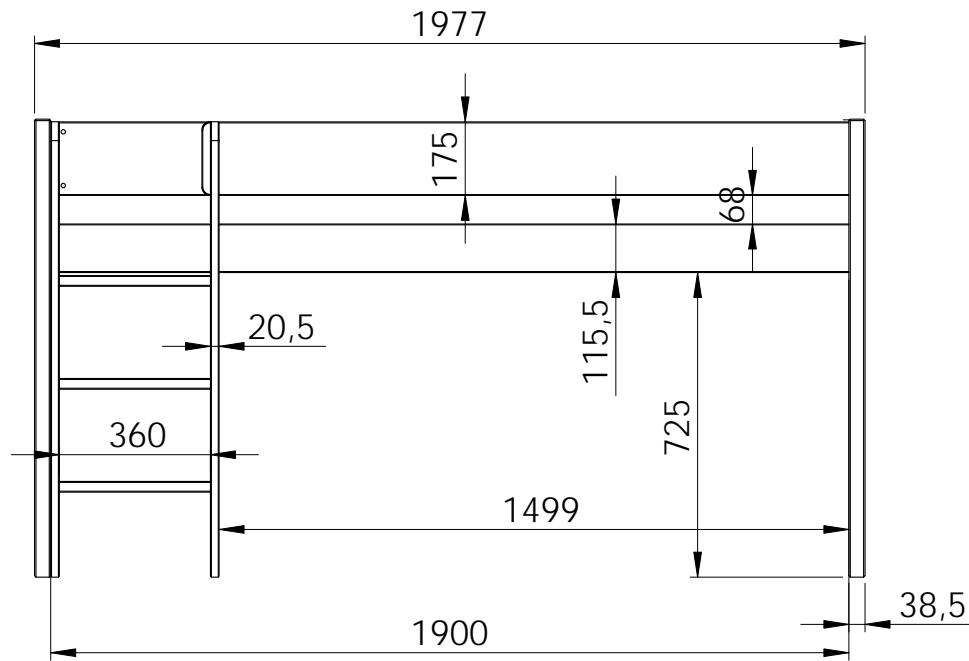
8



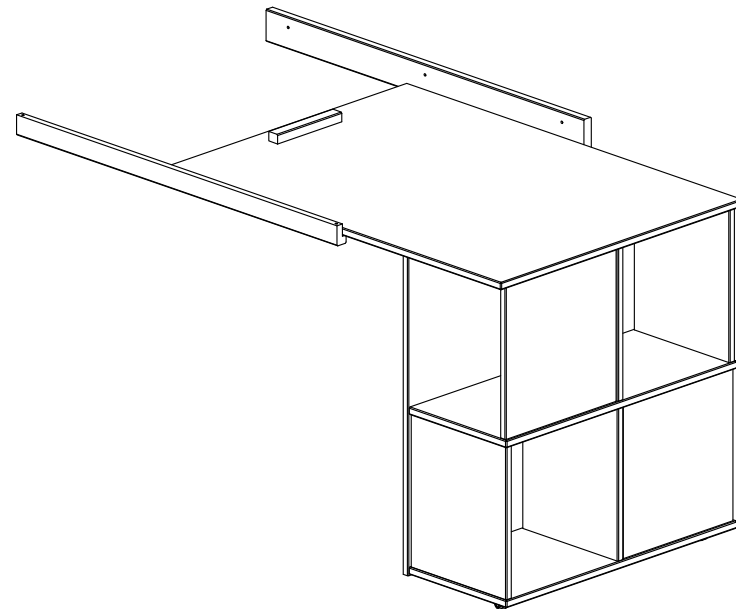
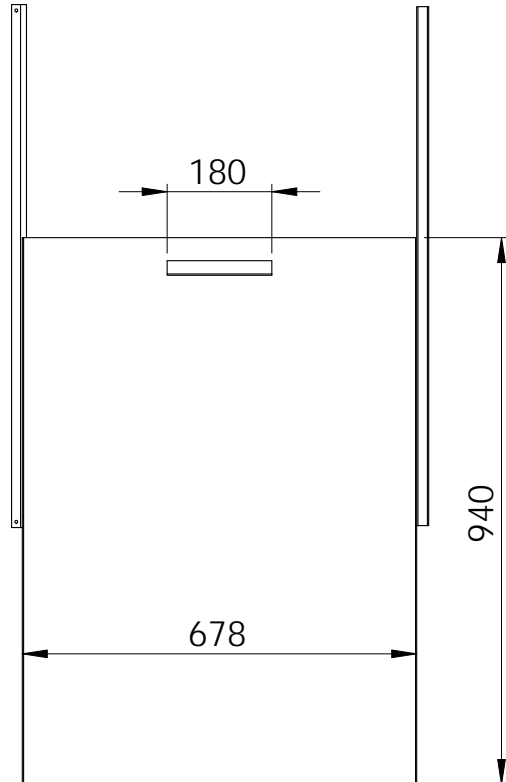
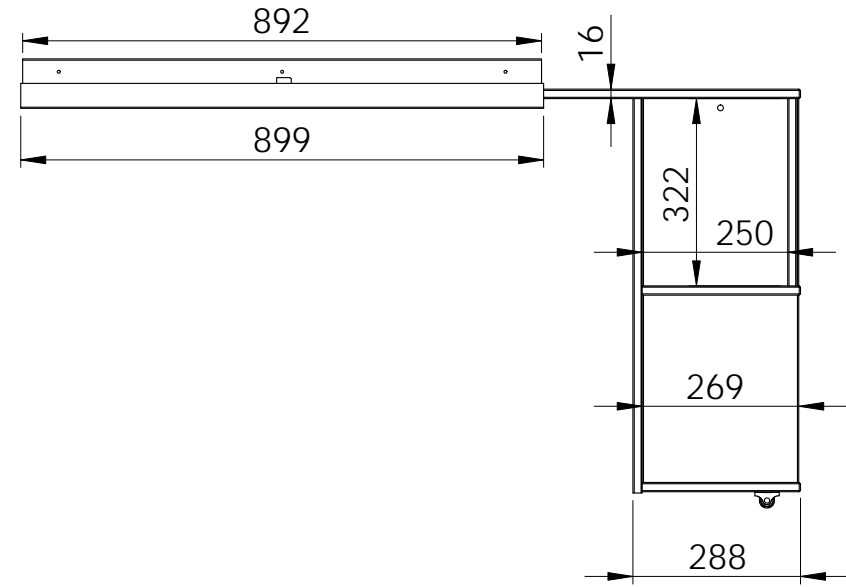
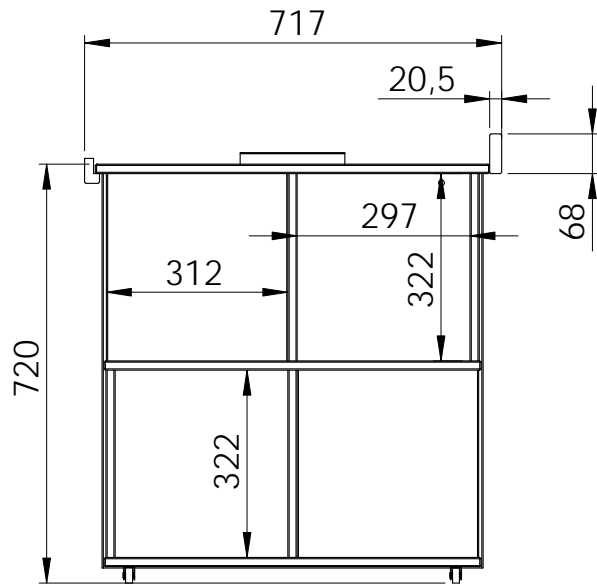
P		D5x8	x4
M		D8x13	x6

NR080

max mattress 900x1900x150

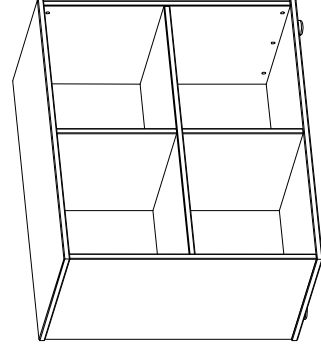
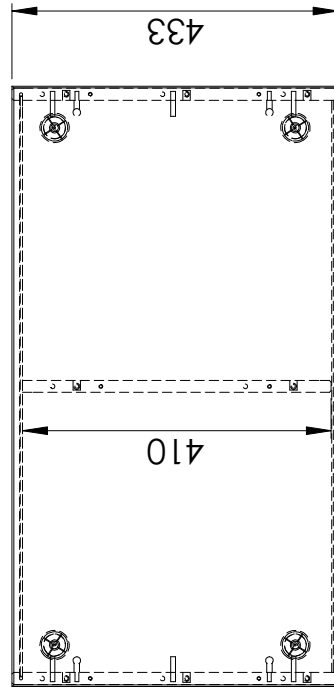
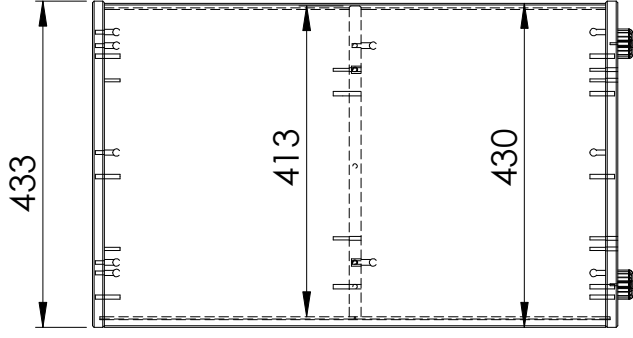
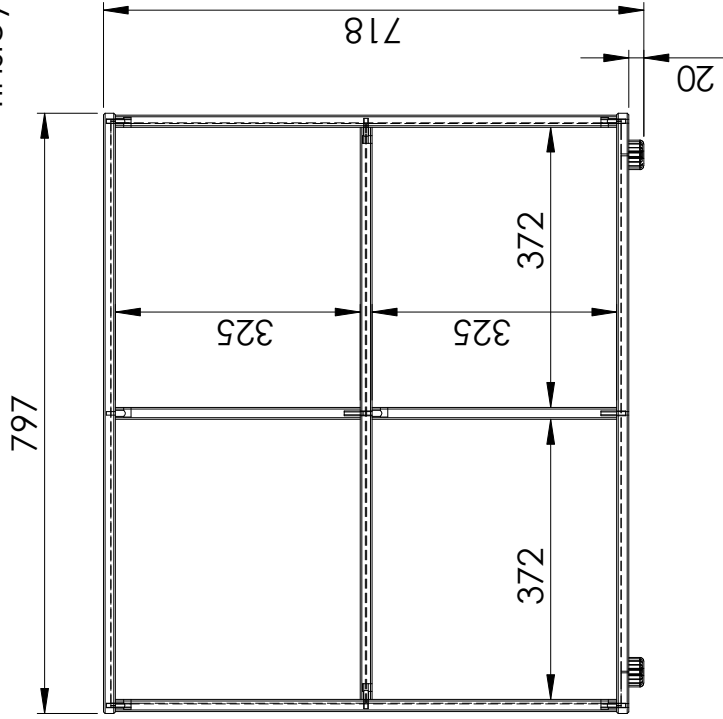


VL511



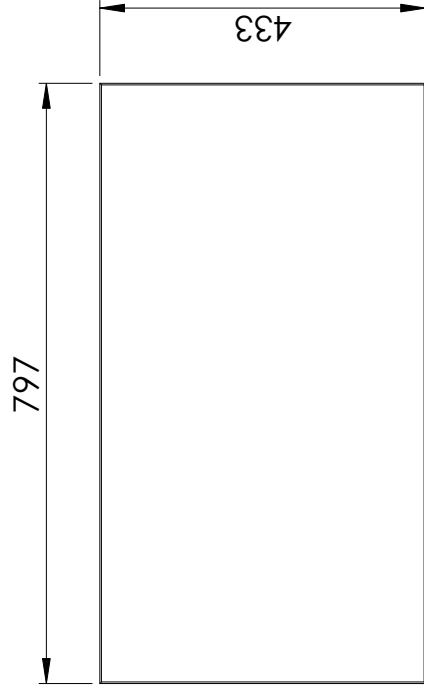
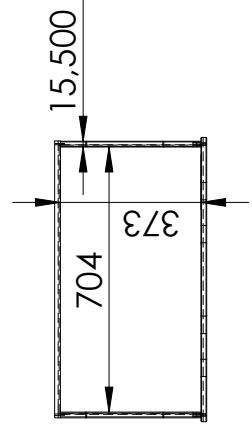
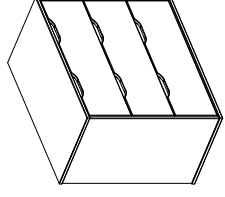
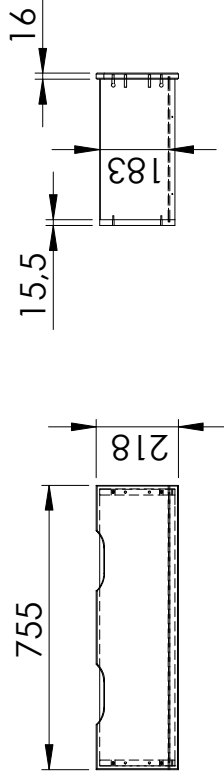
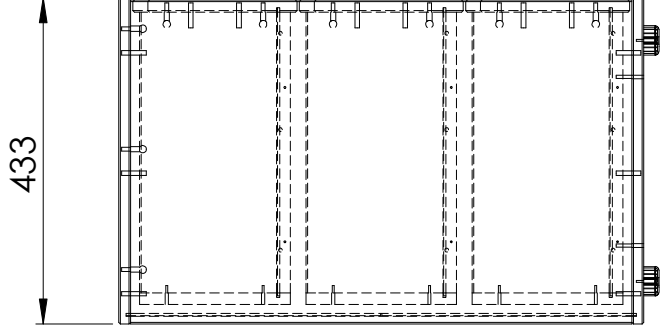
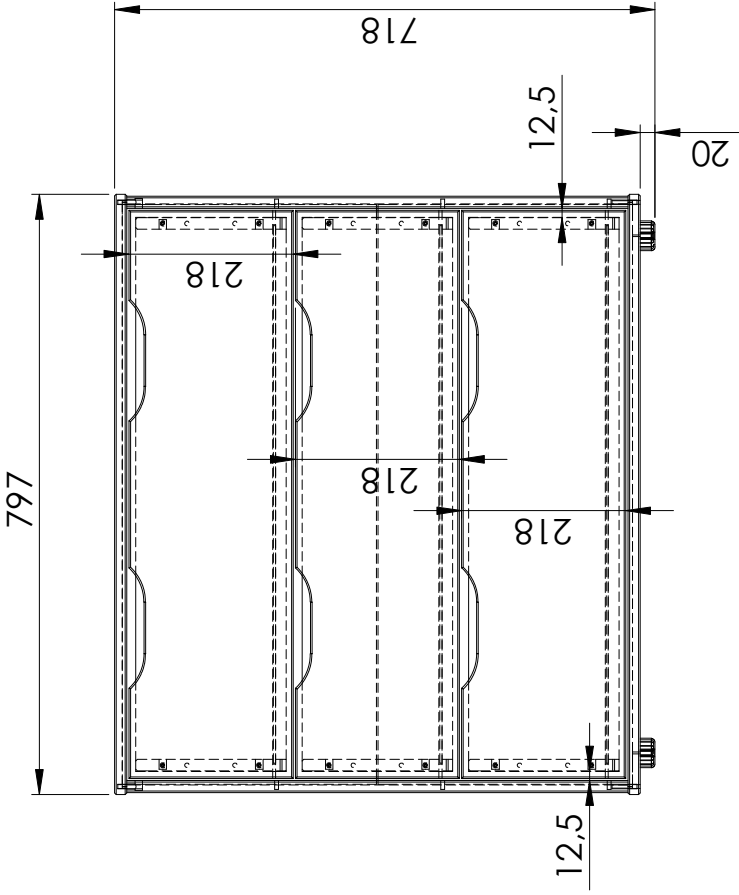
KP54

Tinsley 4 Cube Unit



KP53

Tinsley 3 Drawer Chest



KP53

