

Millie & Jones.

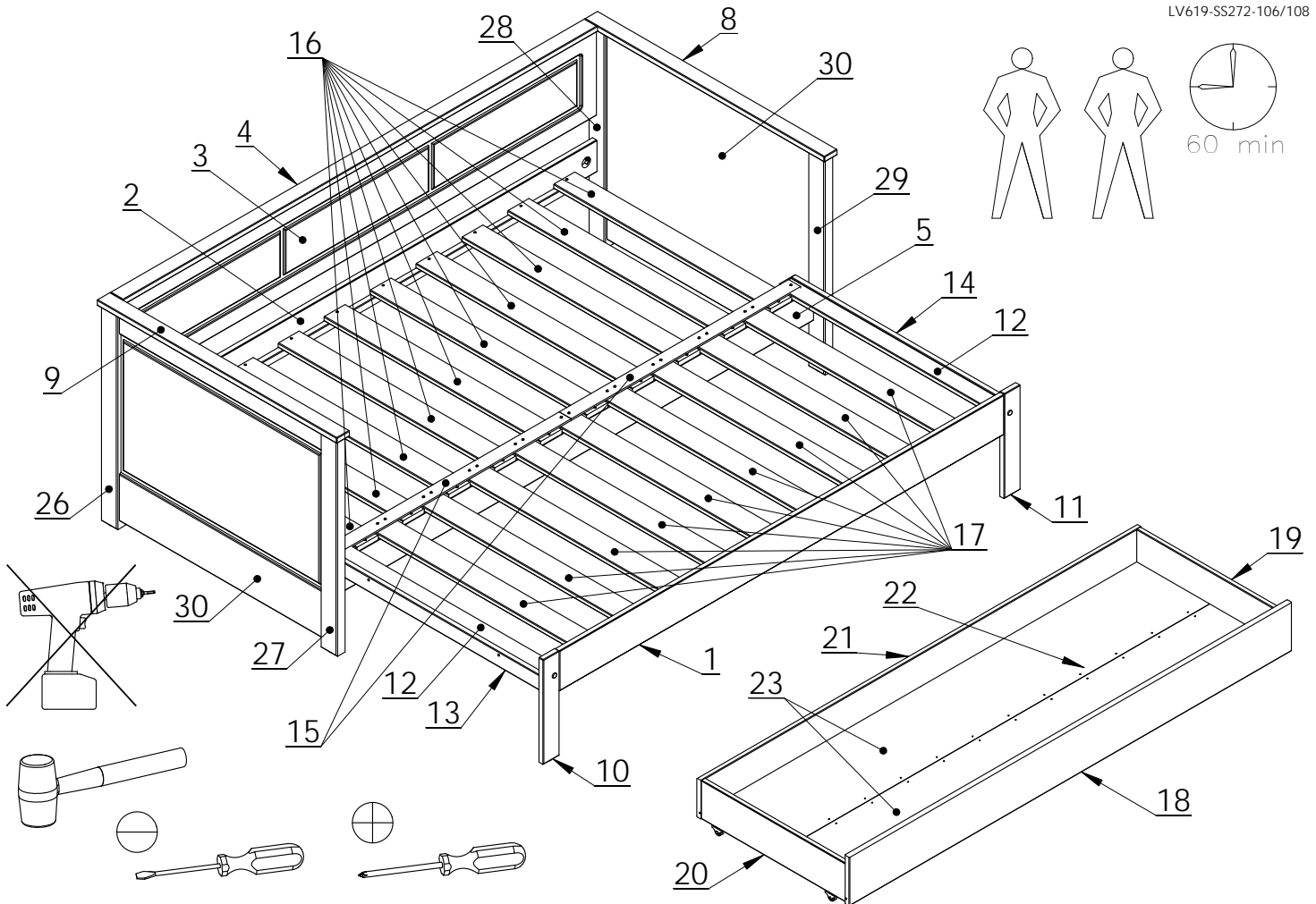
Assembly Guide

Before Assembly

- Check Parts - Unpack and ensure all parts are included and undamaged.
- Read Instructions - Review the guide fully before starting.
- Prepare the Space - Clear the area and assemble on a soft surface to prevent damage.
- Gather Tools - Use only the recommended tools.
- Get Help - Larger items may require two people.

Health & Safety

- Keep Kids & Pets Away - Ensure a safe workspace.
- Lift Safely - Avoid strain; lift with care or get assistance.
- Wear Protection - Gloves help prevent injuries.
- Secure Loose Clothing - Avoid anything that could get caught.
- Handle Small Parts Carefully - Keep screws and fittings away from children.
- Dispose of Packaging Safely - Recycle and keep plastic bags out of reach.



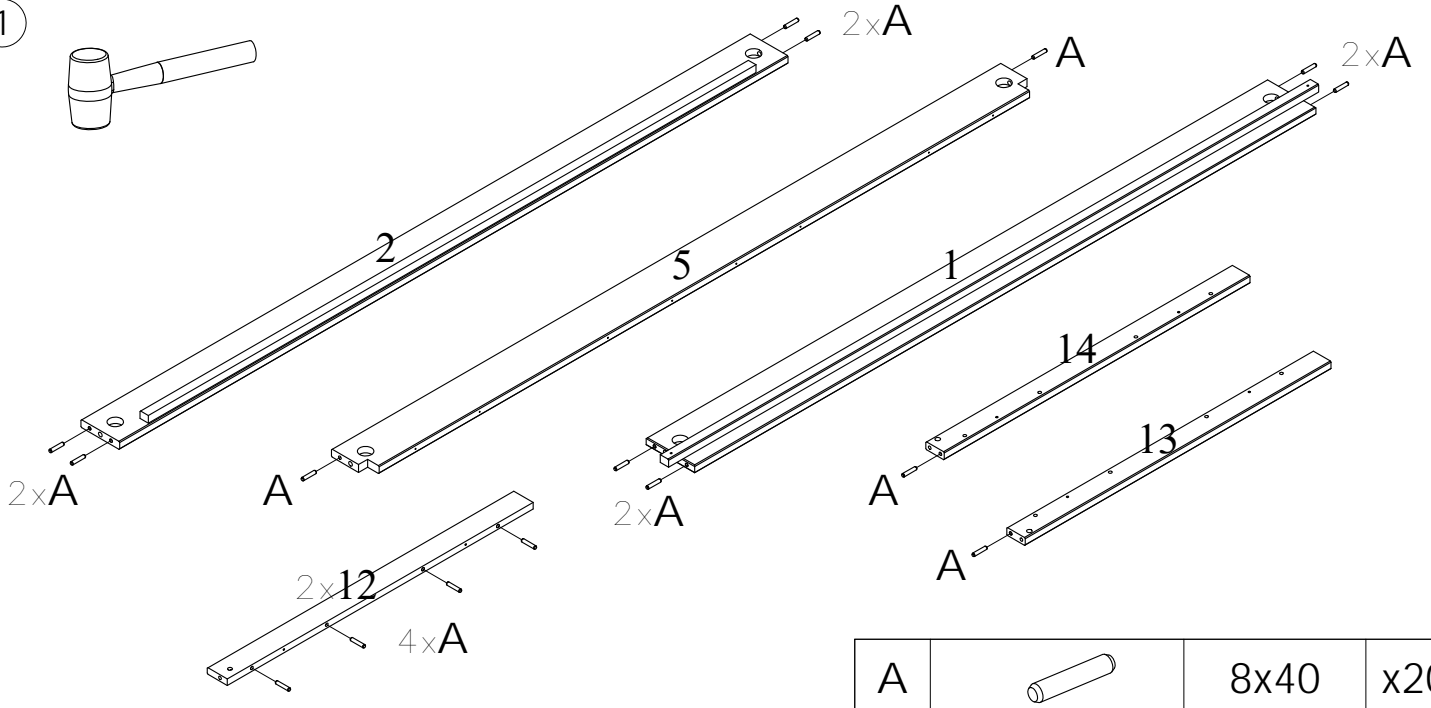
A		8x40	x48
B		7x60	x6
C		D35	x6
D		M6x55	x2
E		M6x10x13	x2
F		6,1x24x35	x4
G		D12x10	x4
H		5x50	x4
K		4x20	x24

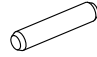
M		3,5x35	x31
N		D15x3	x2
P		D25x4	x4
R		D15x18	x2
S		60x15	x2
T		102x47x3	x2
U		COLLE	x1
V		4mm	x1

A		8x40	x8
J		7x34	x2
L		15x12	x2
Q		3,5x40	x4
X		3,5x20	x2
Y		1,6x16	x25

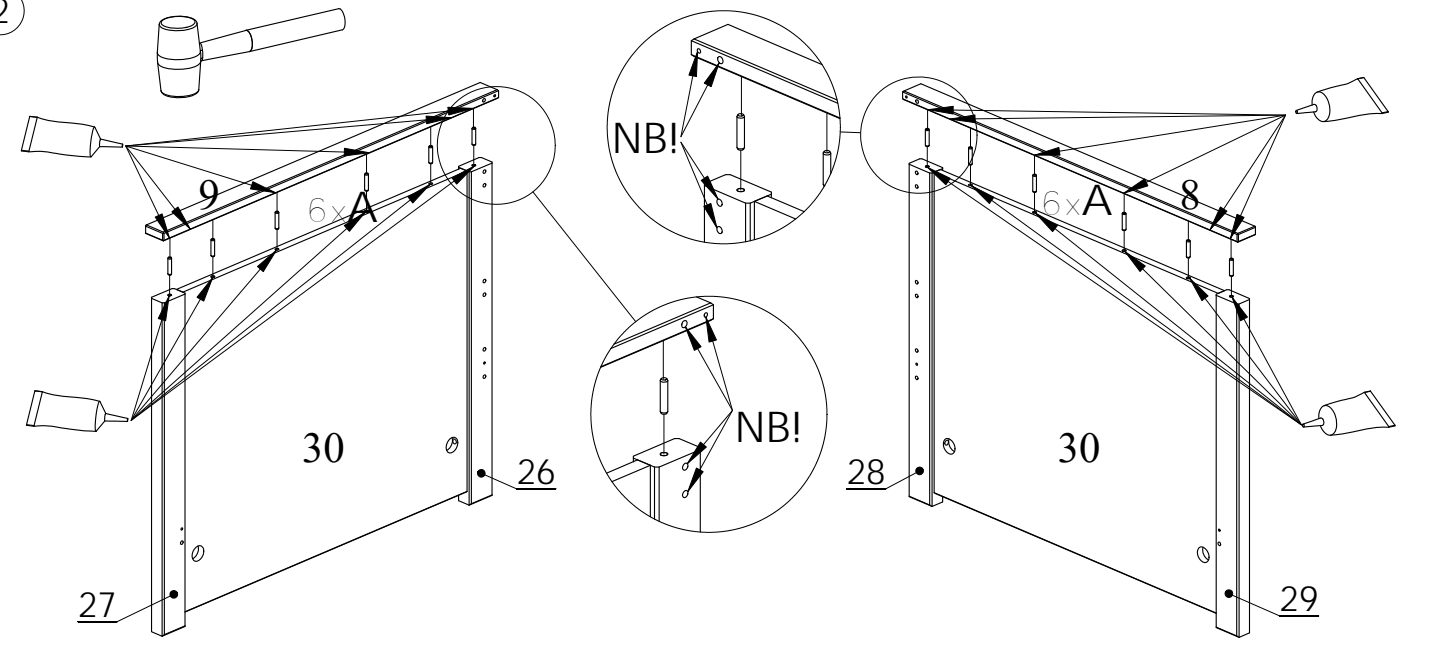
Z		3,5x16	x12
W		D26	x6
A1		D19x19	x2
B1		4x35	x2
C1		40x20	x1

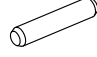
①



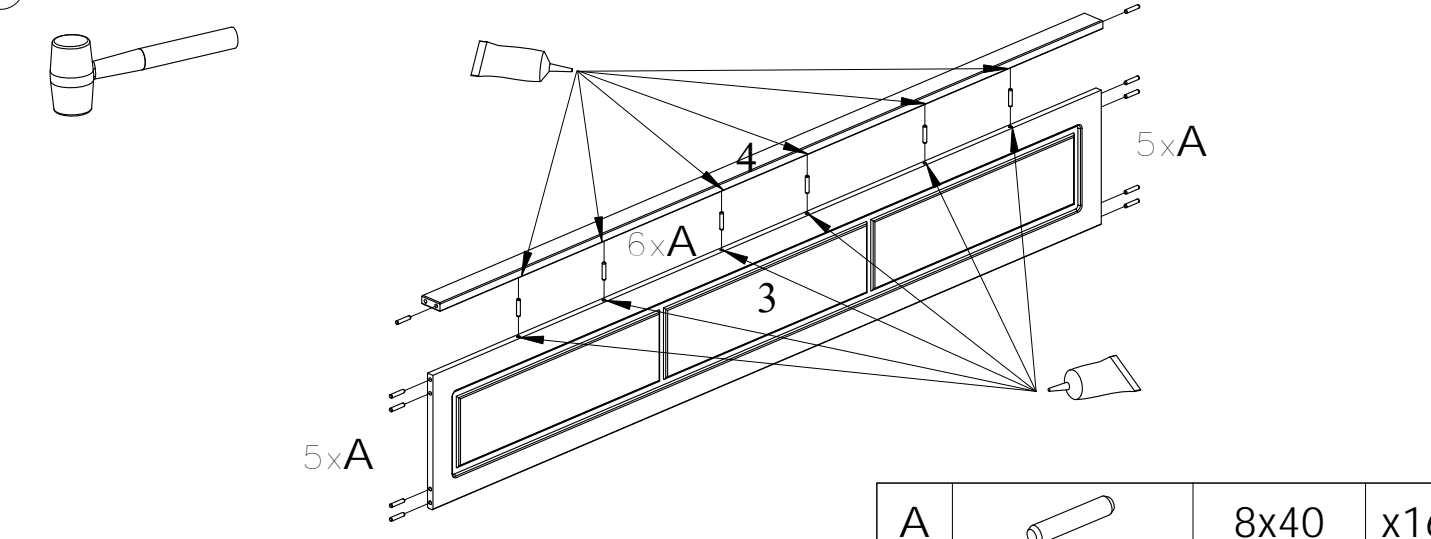
A		8x40	x20
---	---	------	-----

②



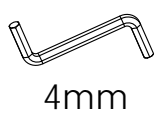
A		8x40	x12
---	---	------	-----

③

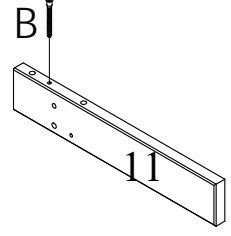
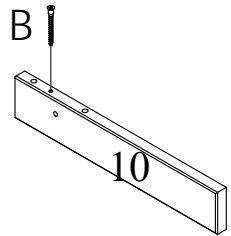
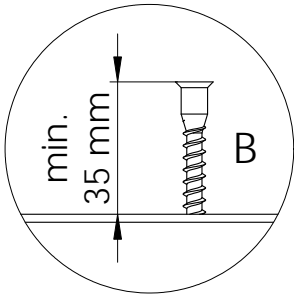


A		8x40	x16
---	---	------	-----

4

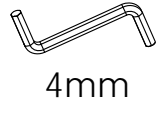


4mm

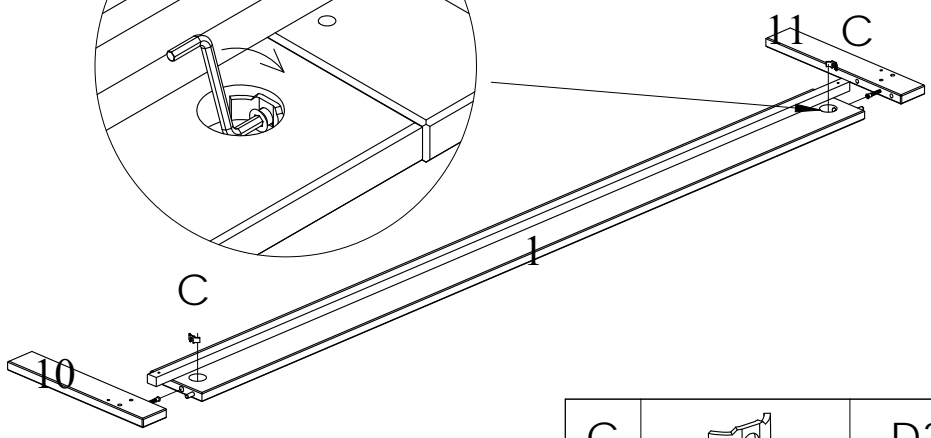
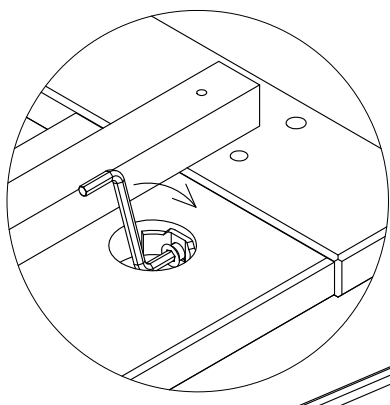


B		7x60	x2
---	--	------	----

5

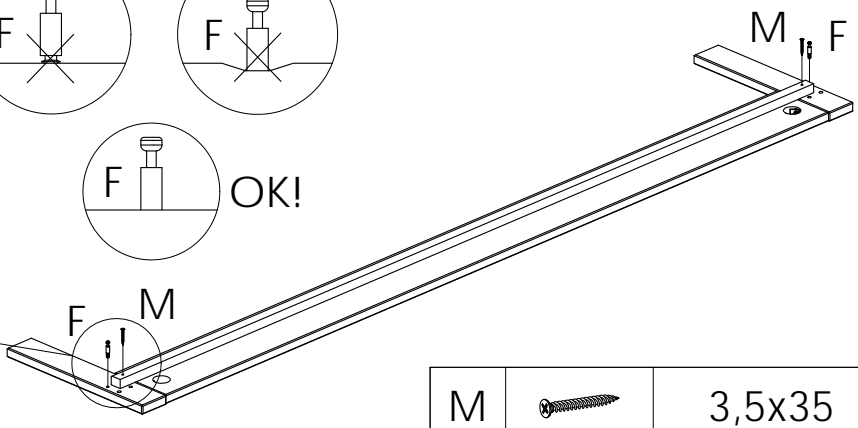
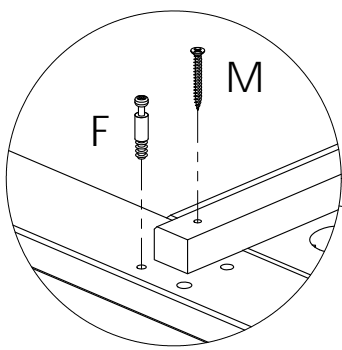
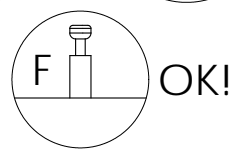
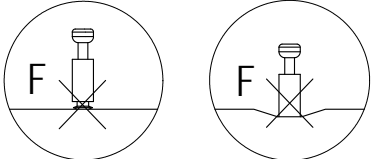
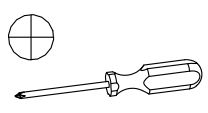


4mm



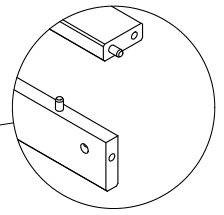
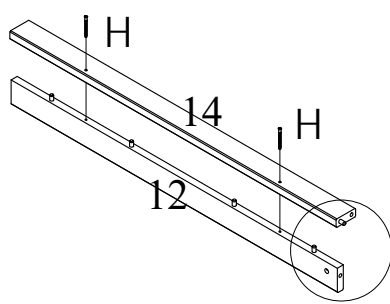
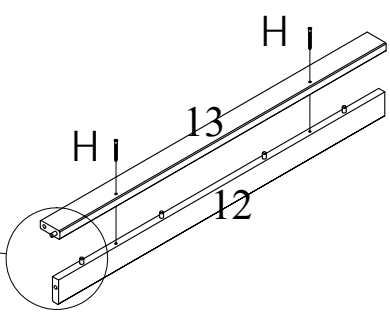
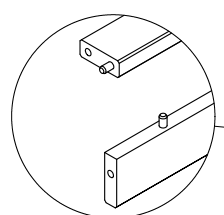
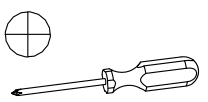
C		D35	x2
---	--	-----	----

6



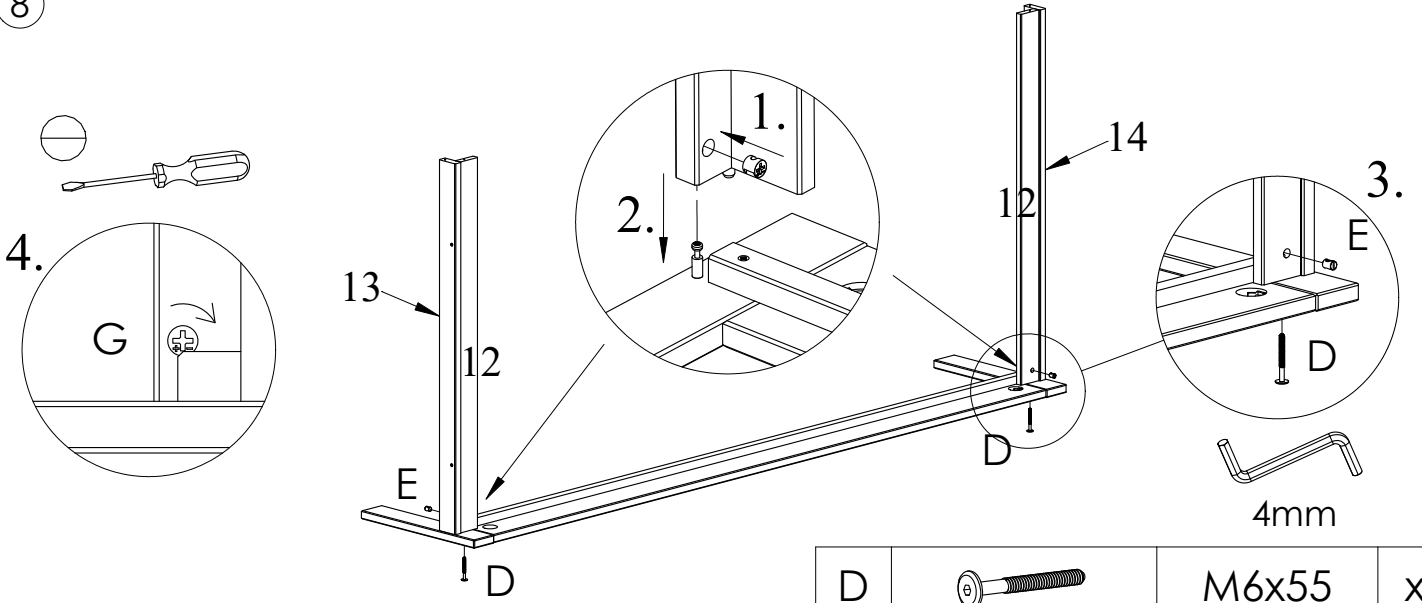
M		3,5x35	x2
F		6,1x24x35	x2

7



H		5x50	x4
---	--	------	----

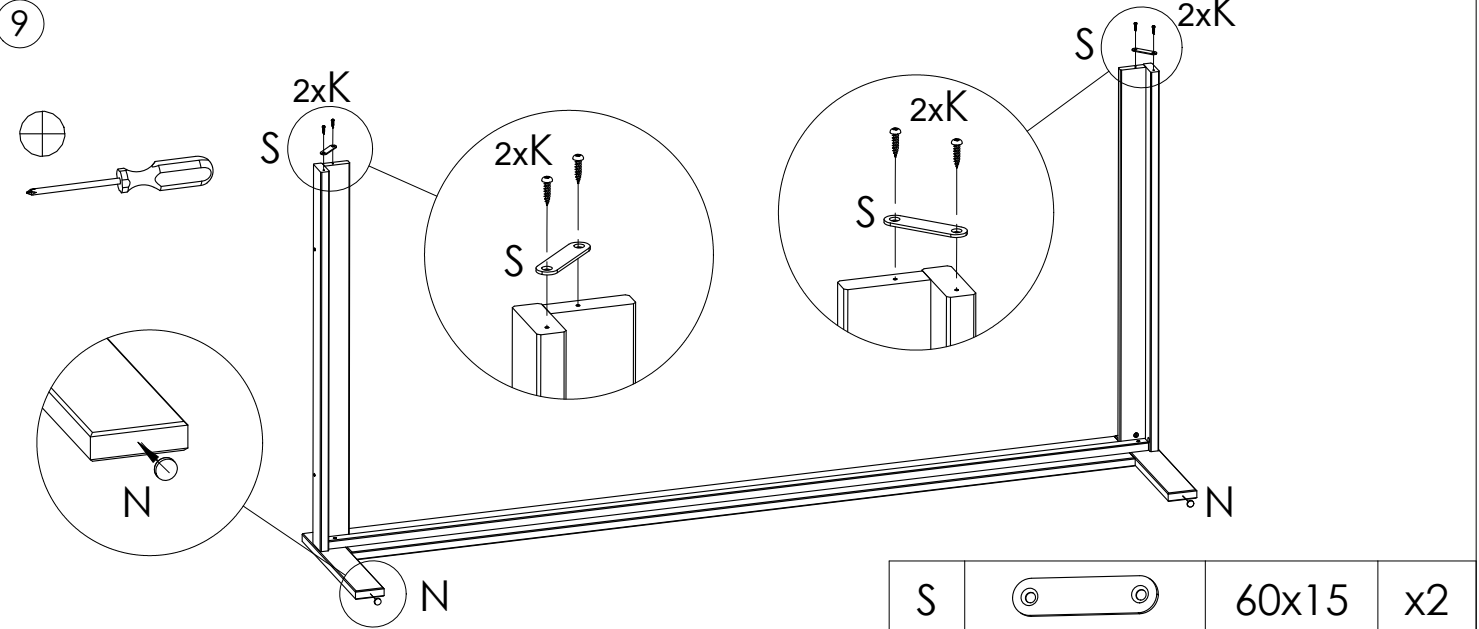
8



D		M6x55	x2
E		M6x10x13	x2

G		D12x10	x2
---	--	--------	----

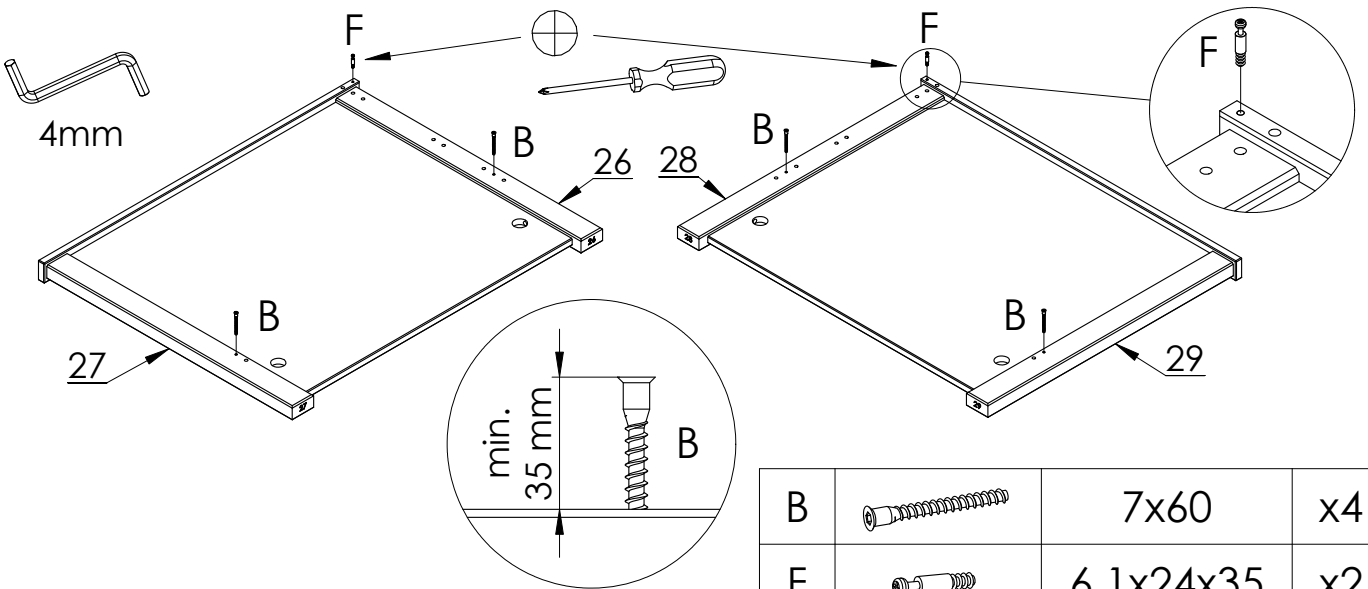
9



S		60x15	x2
K		4x20	x4

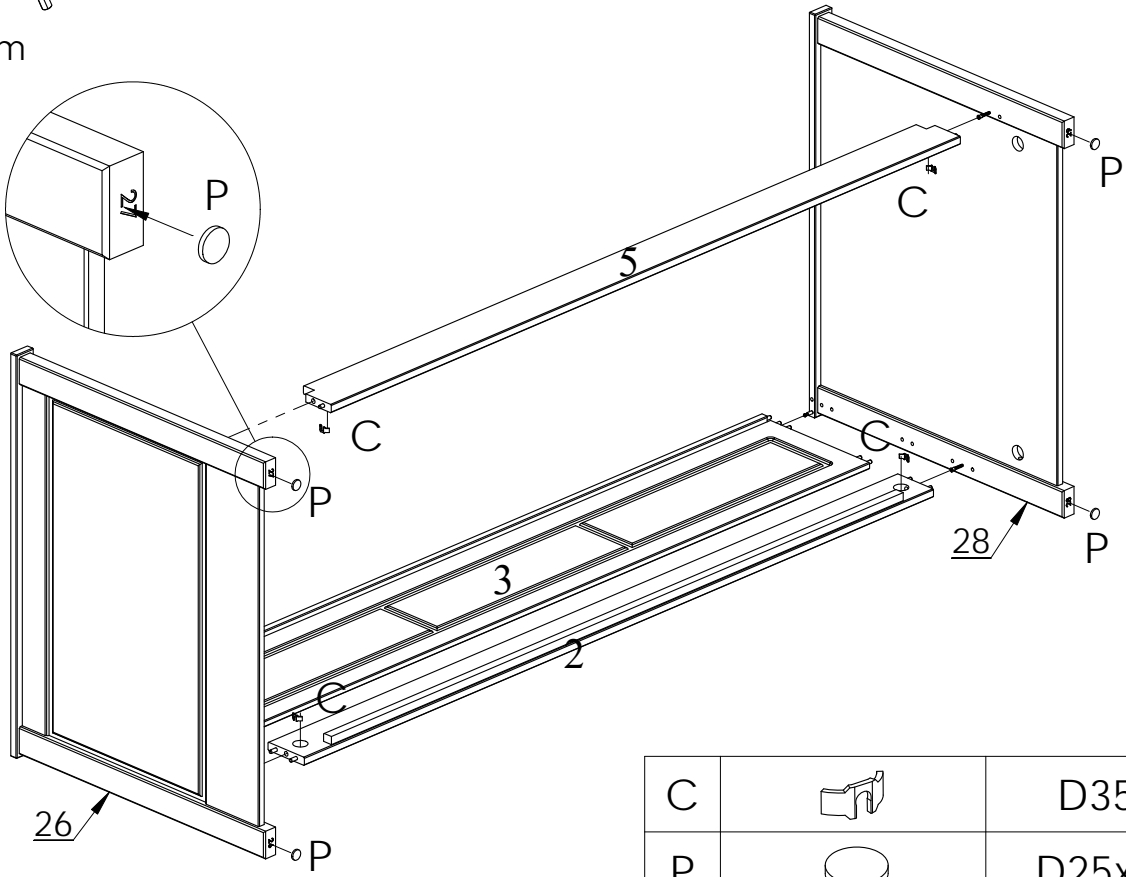
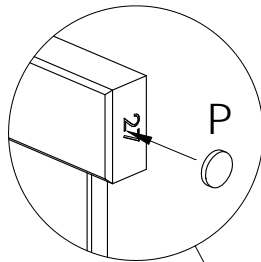
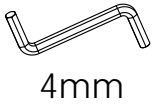
N		D15x3	x2
---	--	-------	----

10



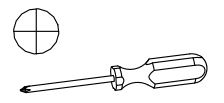
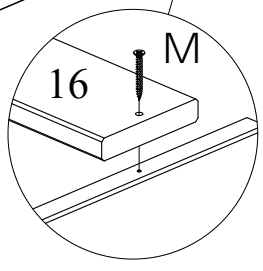
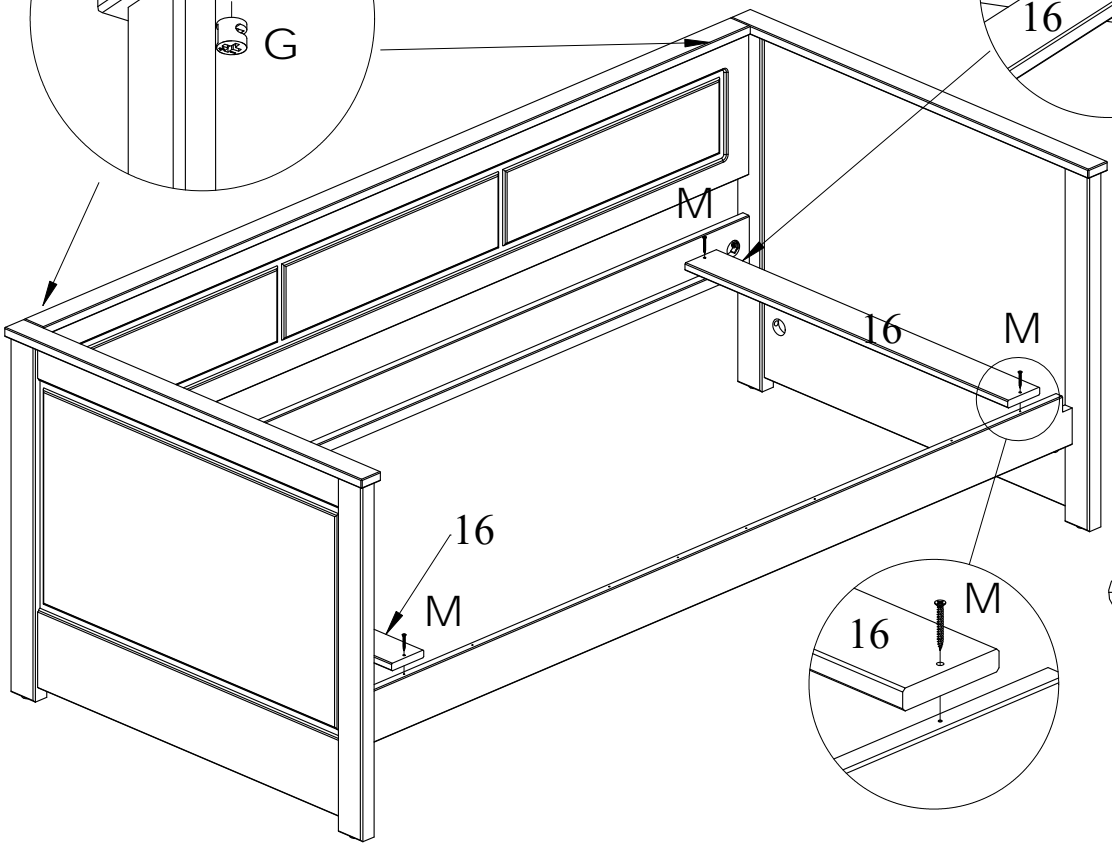
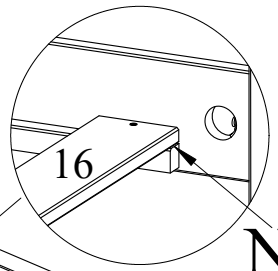
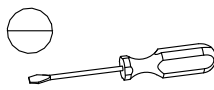
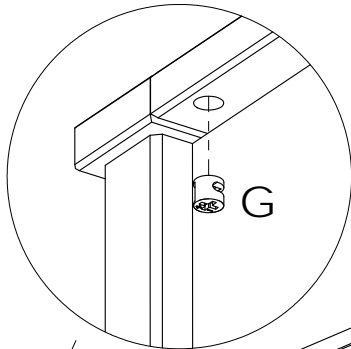
B		7x60	x4
F		6,1x24x35	x2

11



C		D35	x4
P		D25x4	x4

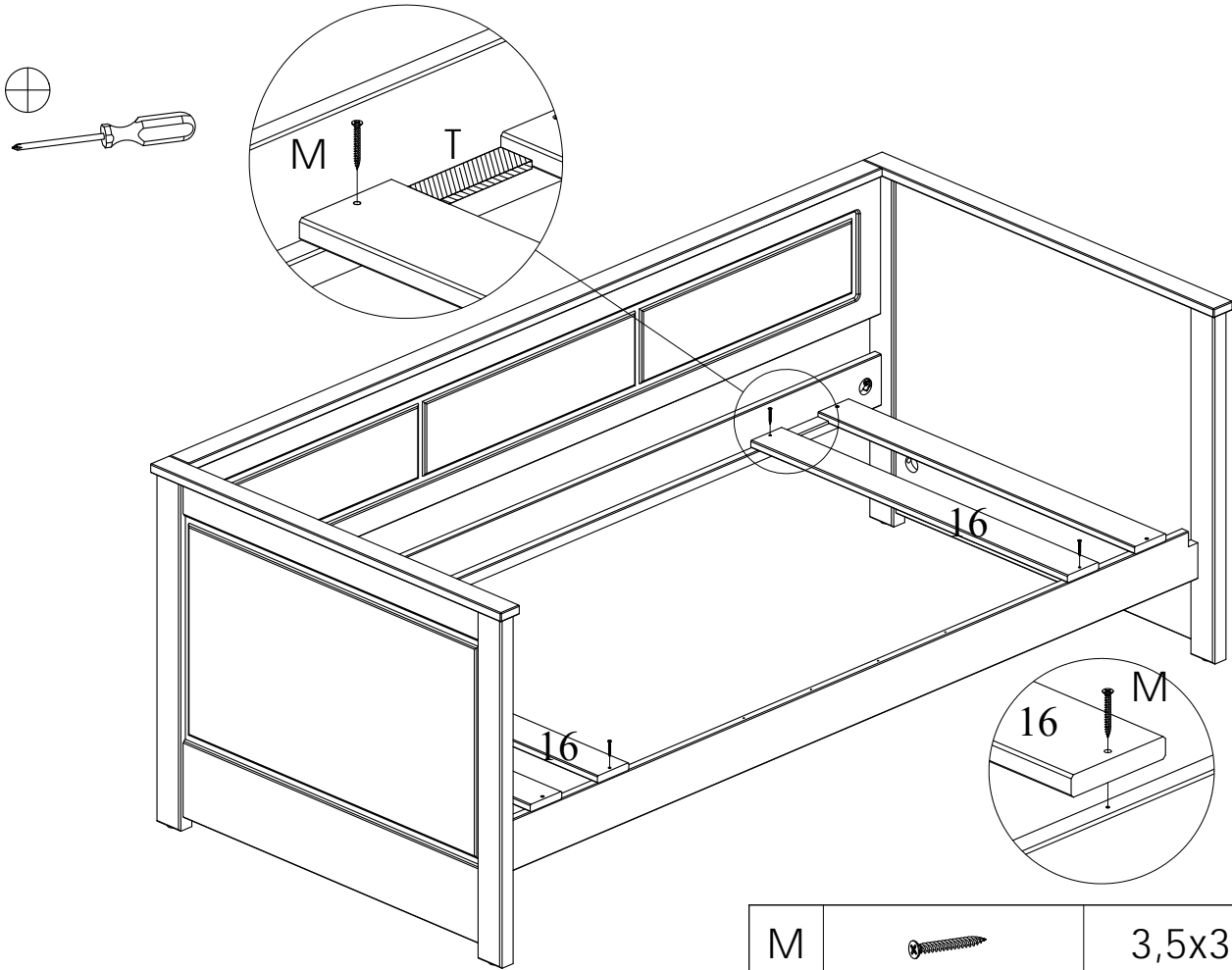
12





G		D12x10	x2
---	--	--------	----

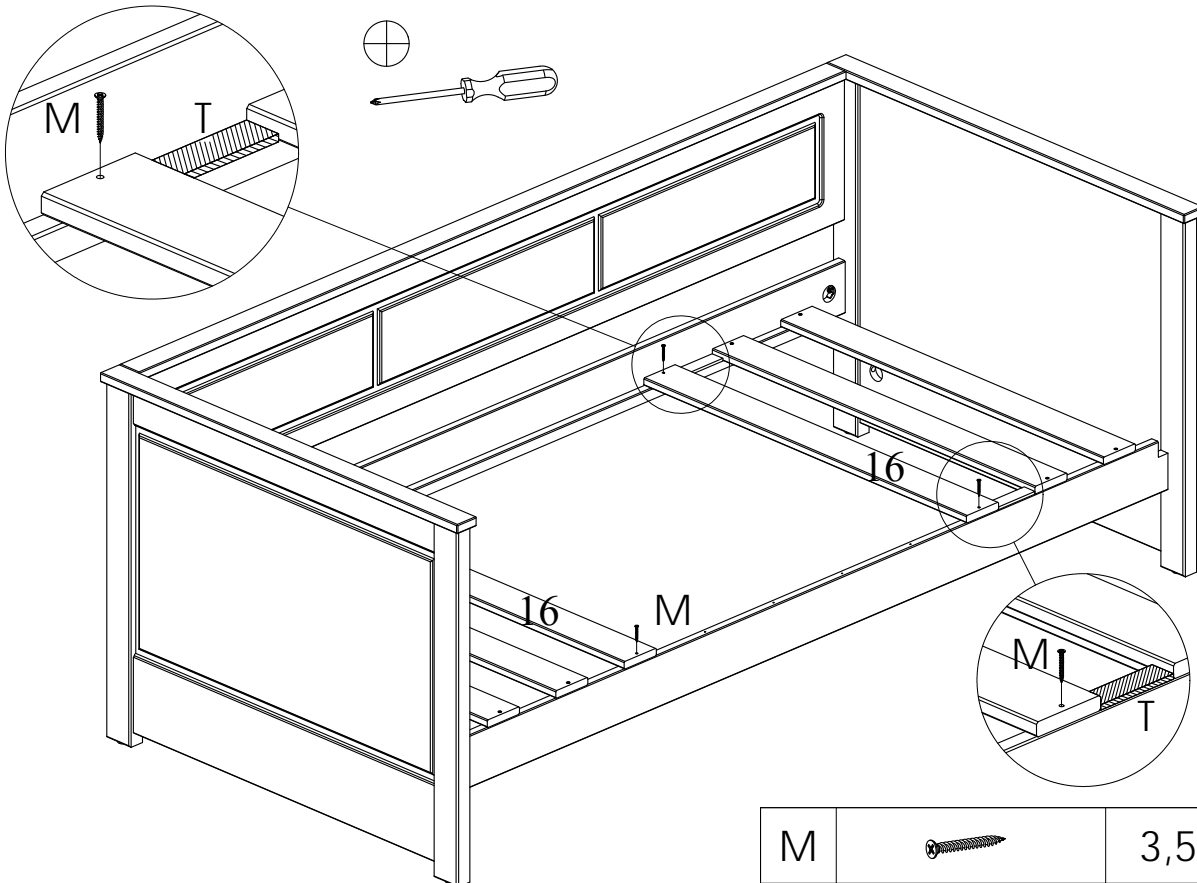
M		3,5x35	x4
---	--	--------	----



13



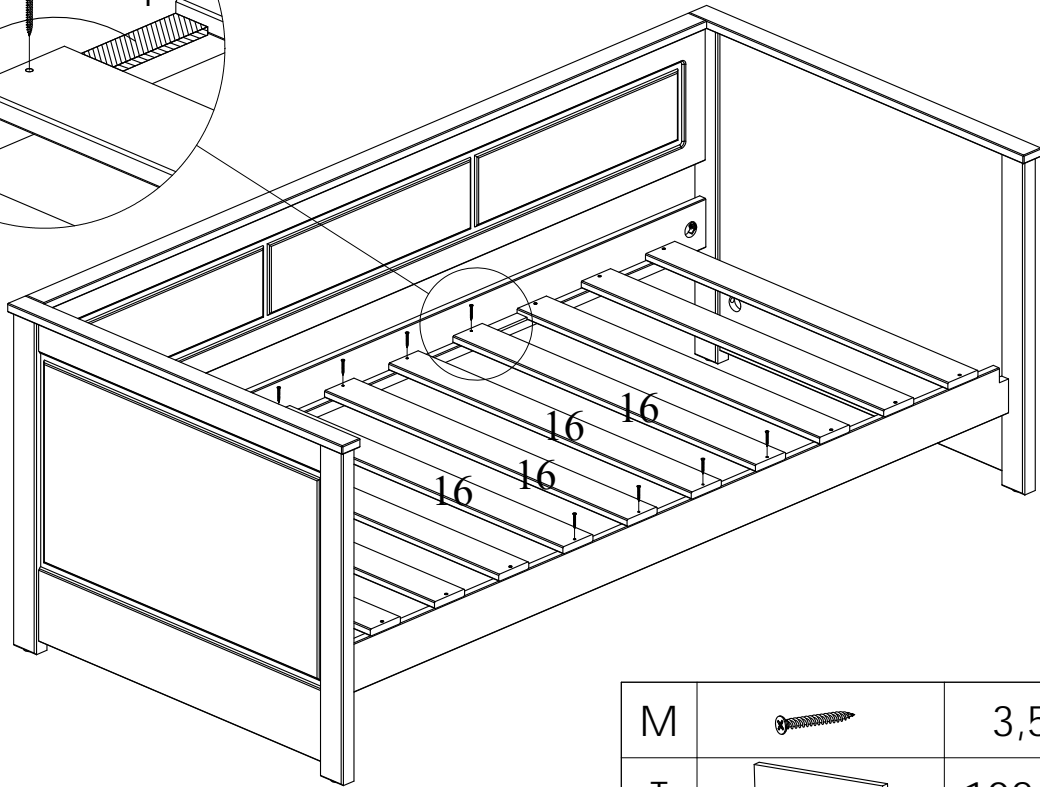
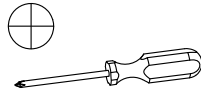
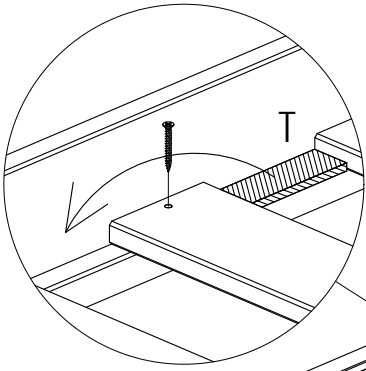
M		3,5x35	x4
T		102x47x3	x1



14



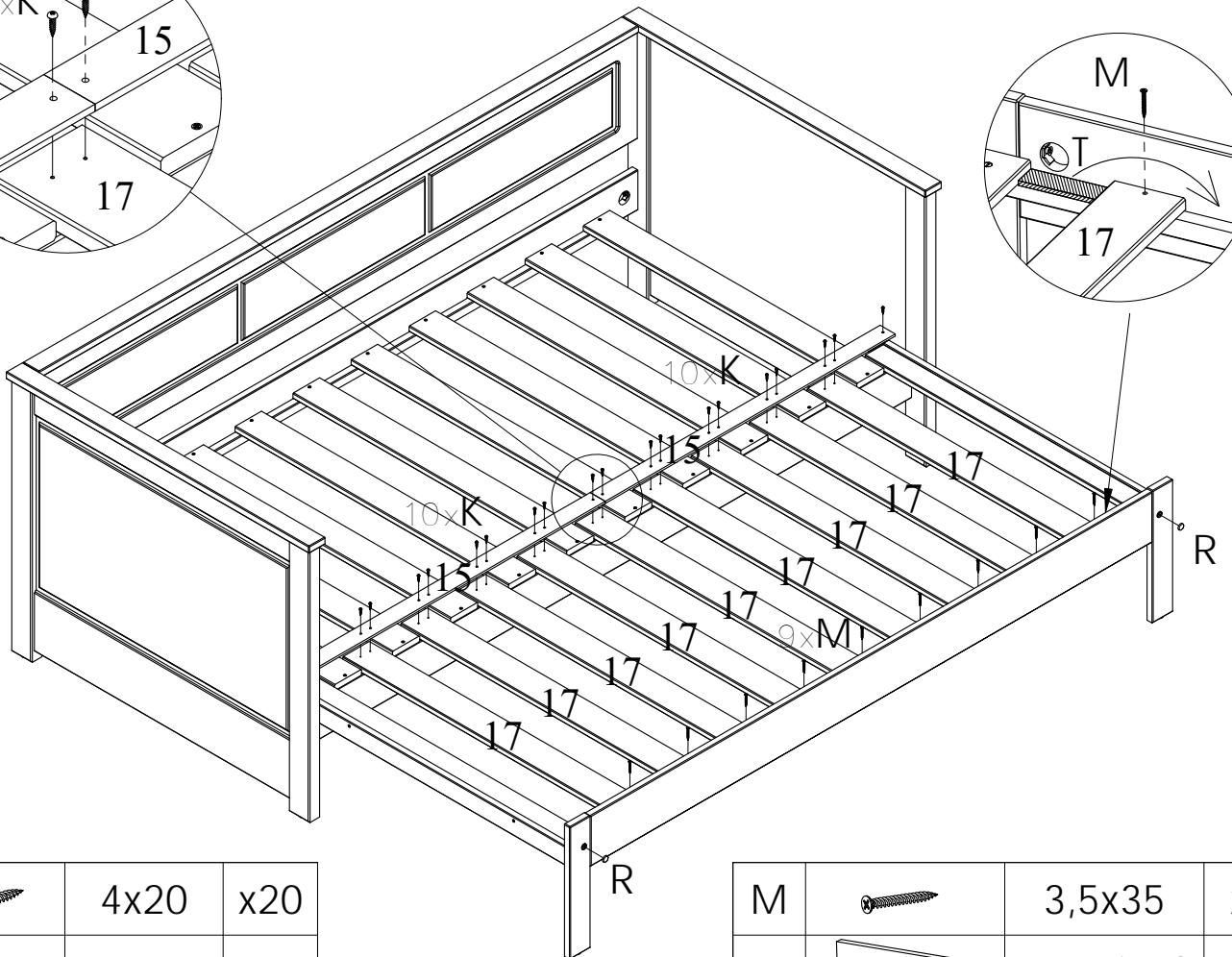
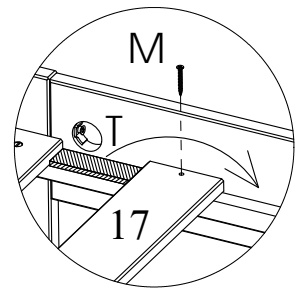
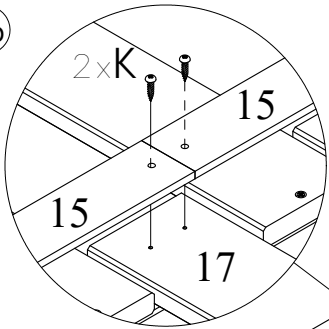
M		3,5x35	x4
T		102x47x3	x2



15





M		3,5x35	x8
T		102x47x3	x1

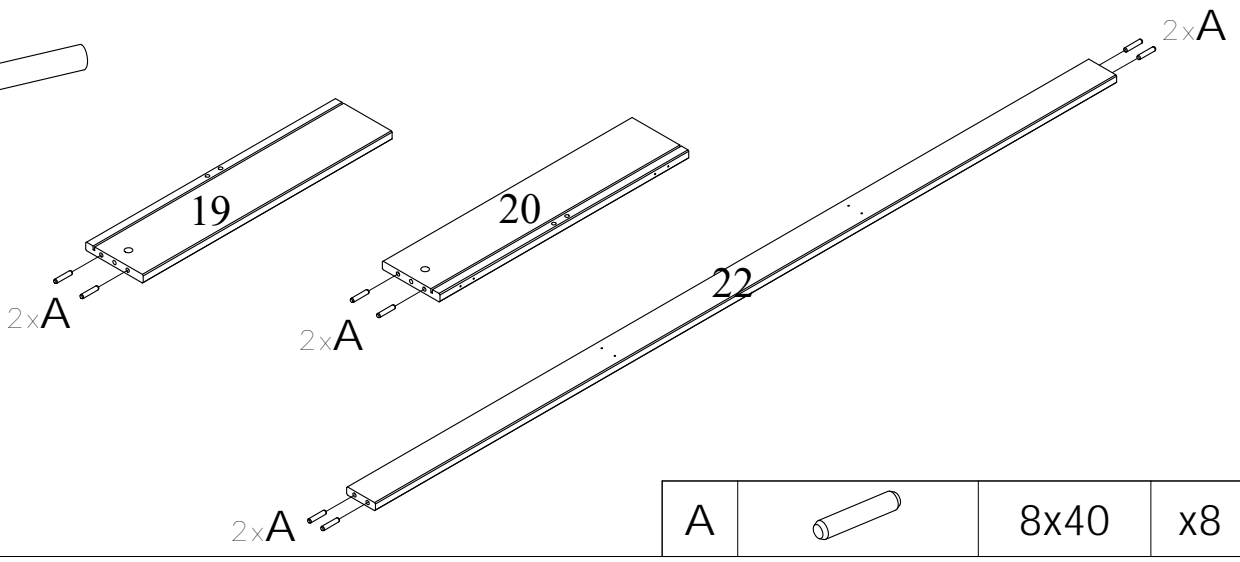
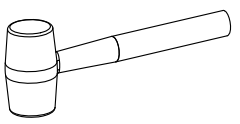
16



K		4x20	x20
R		D15x18	x2

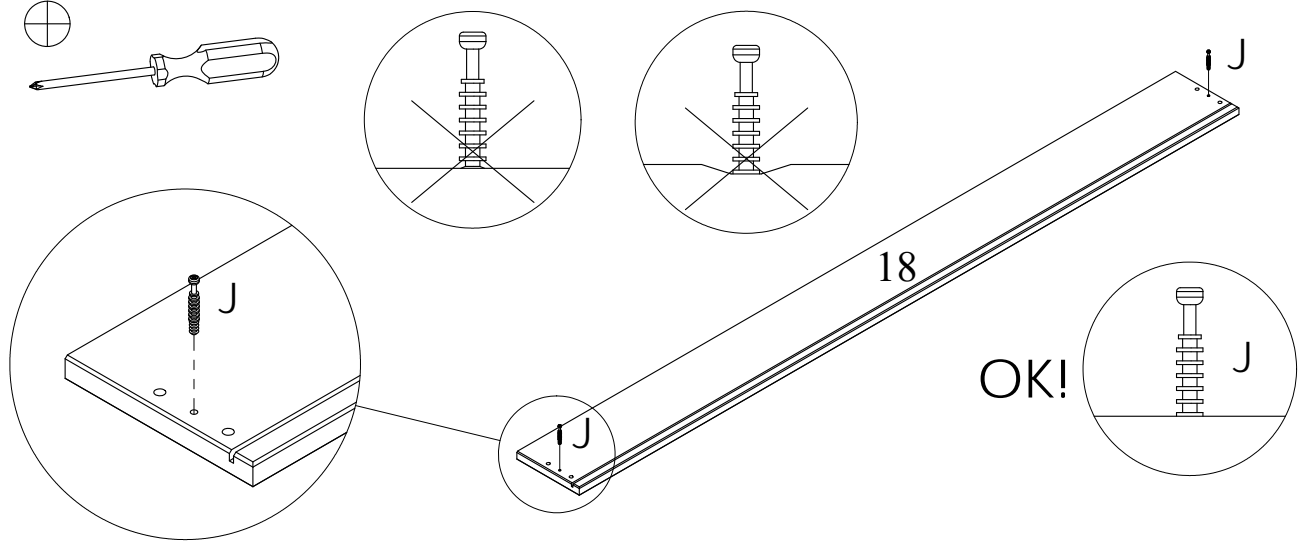
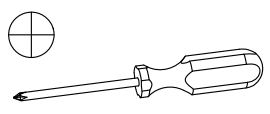
M		3,5x35	x9
T		102x47x3	x1

17



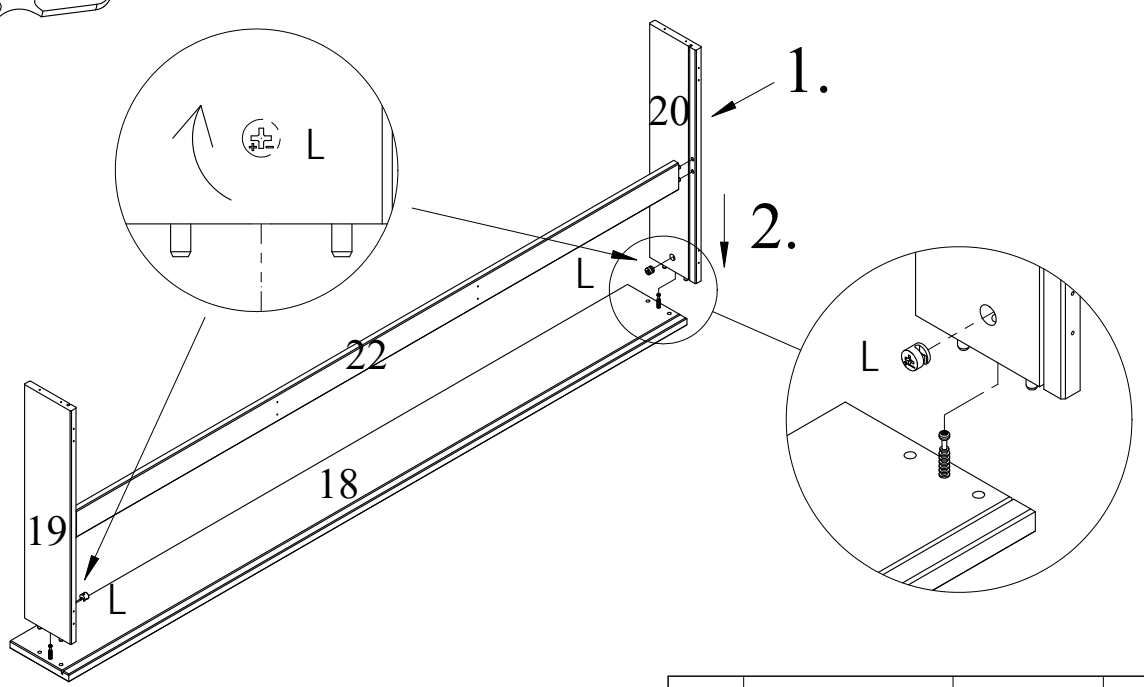
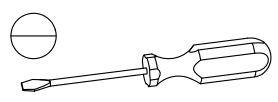
A		8x40	x8
---	--	------	----

18



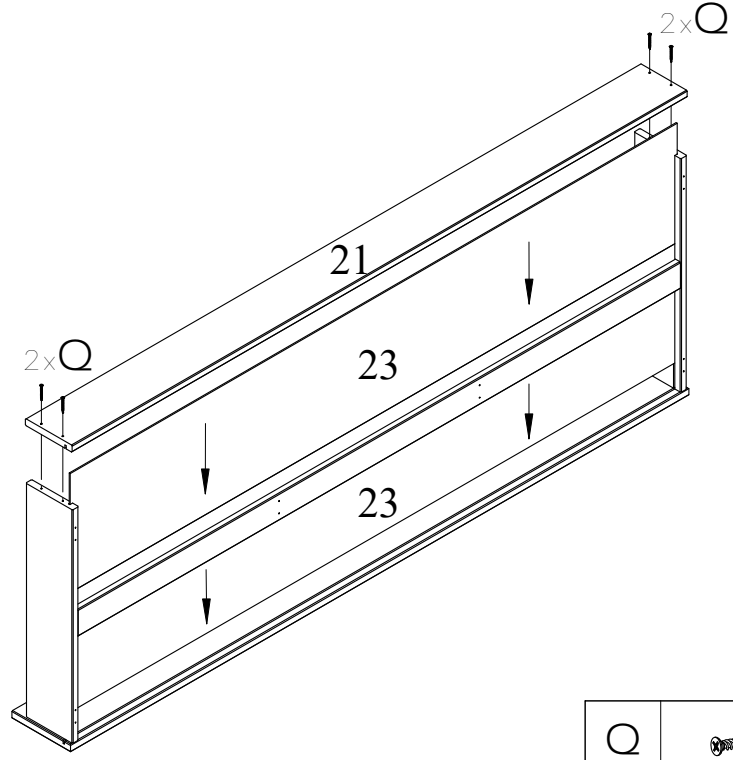
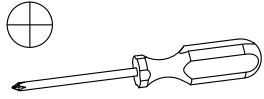
J		7x34	x2
---	--	------	----

19



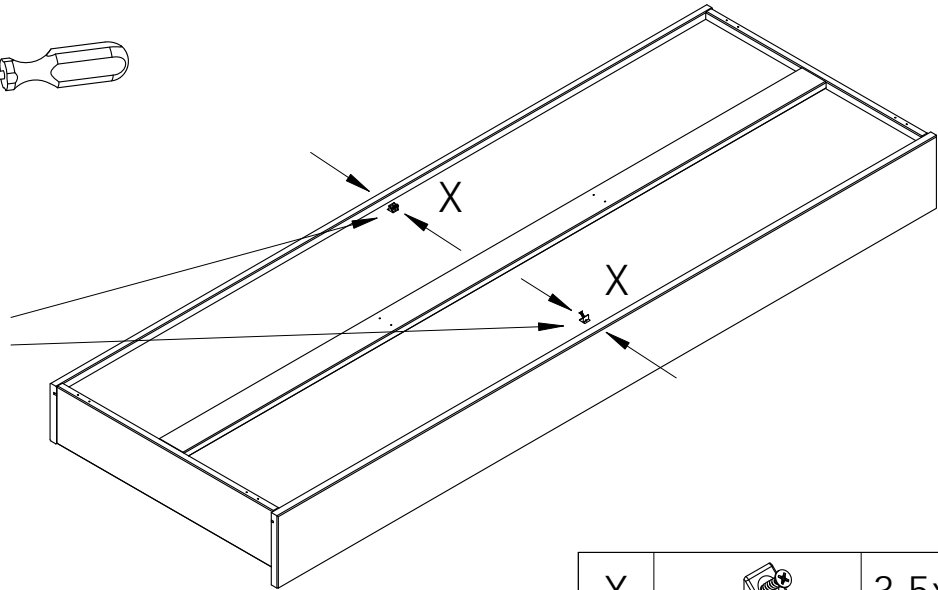
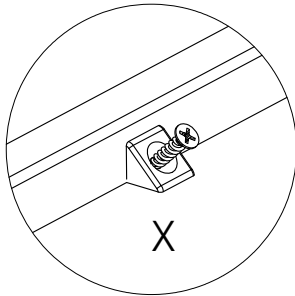
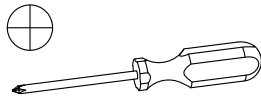
L		15x12	x2
---	--	-------	----

20



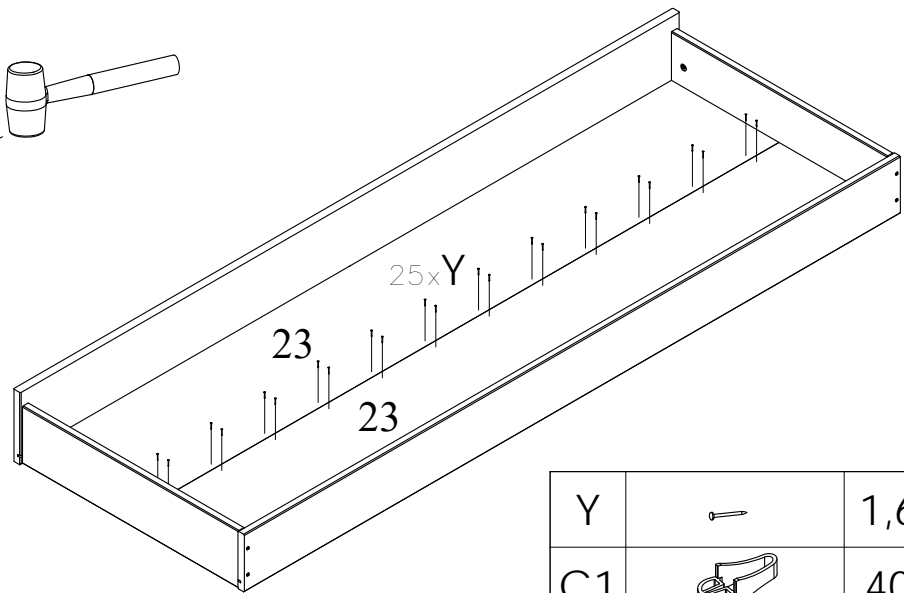
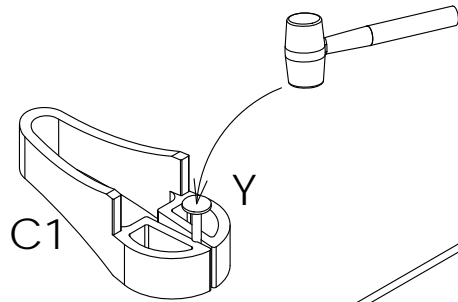
Q		3,5x40	x4
---	--	--------	----

21



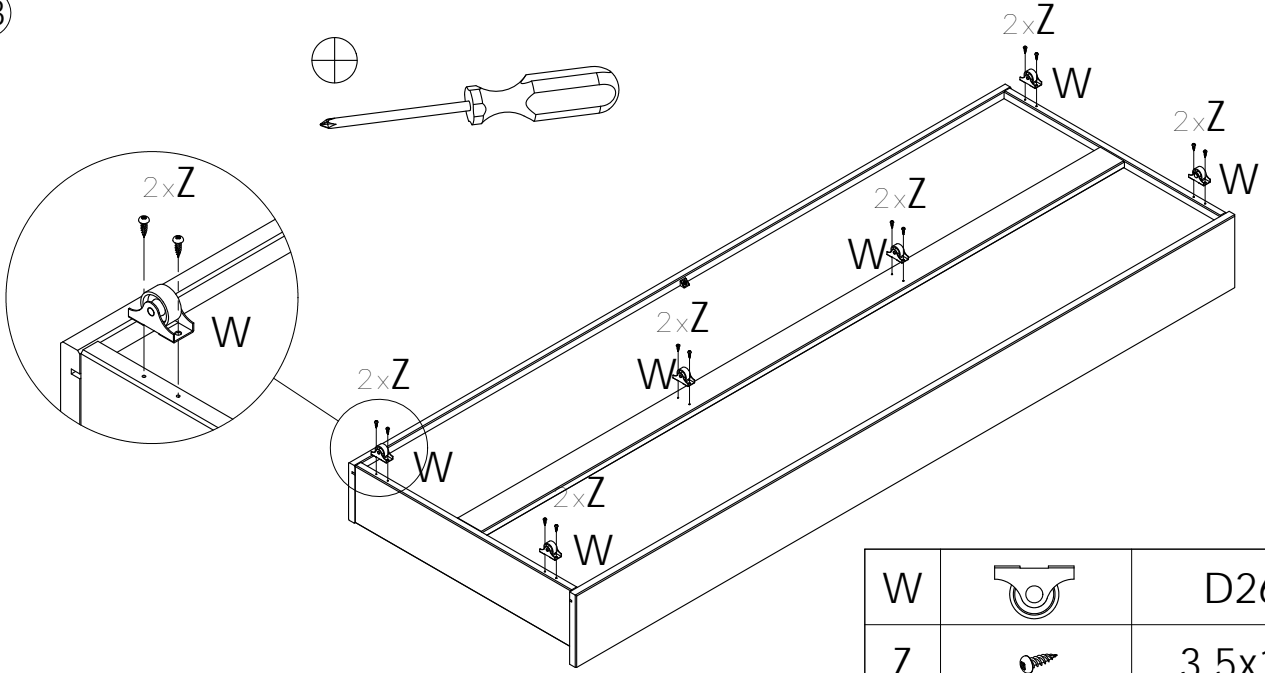
X		3,5x20	x2
---	--	--------	----

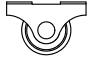

22



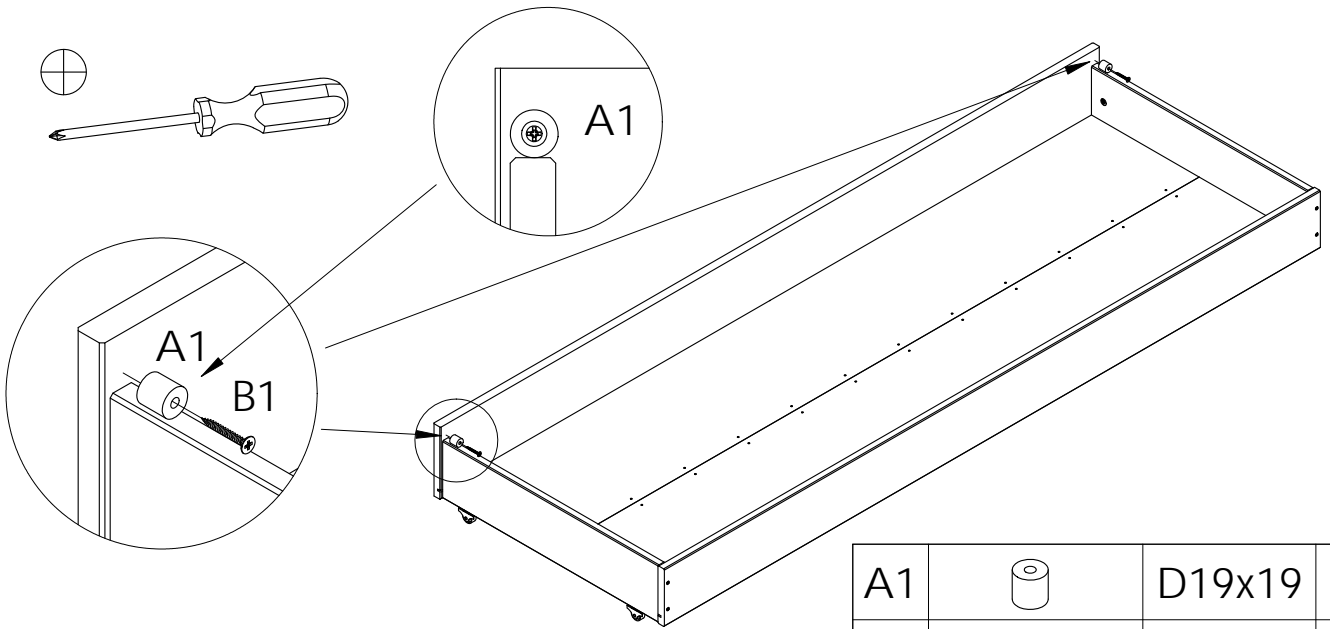
Y		1,6x16	x25
C1		40x20	x1



23



W		D26	x6
Z		3,5x16	x12

24



A1		D19x19	x2
B1		4x35	x2