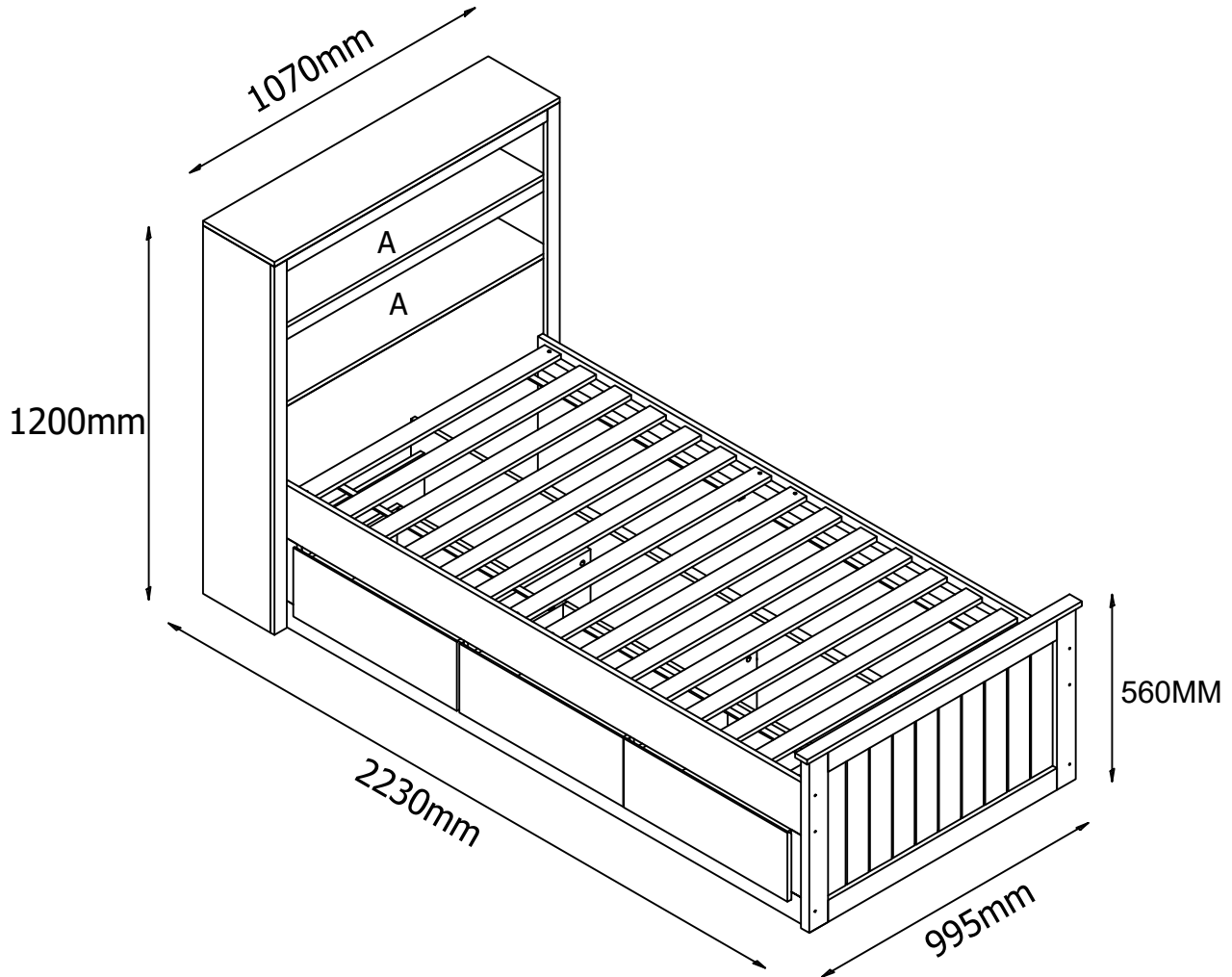


ENZO 3 DRAWERS STORAGE BED

ASSEMBLY INSTRUCTION



A: L1020 x D235 x H195mm

Drawer side of this bed is interchangeable.		Assembled drawer internal dimensions.
Option1: Left Handside	Option2: Right Handside	

All measurements are approximate

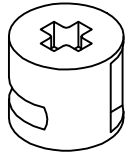
Hardware

A



Cam Stud
71PCS

B



Cam
71PCS

C



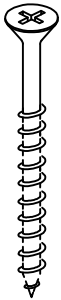
M8 x 30mm
74PCS

D



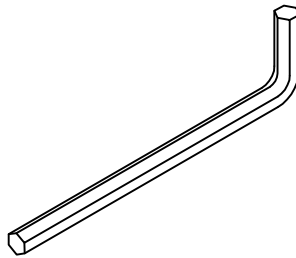
Round Sticker
19PCS

E



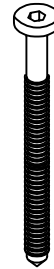
CSK SCREW
M4 X 38MM
12PCS

F



M4 Allen key
1PC

G



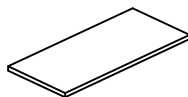
Unitar Jcbc Screw
M6 x 55mm
12PCS

H



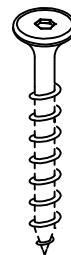
CSK SCREW
M3.5 X 16MM
23PCS

I



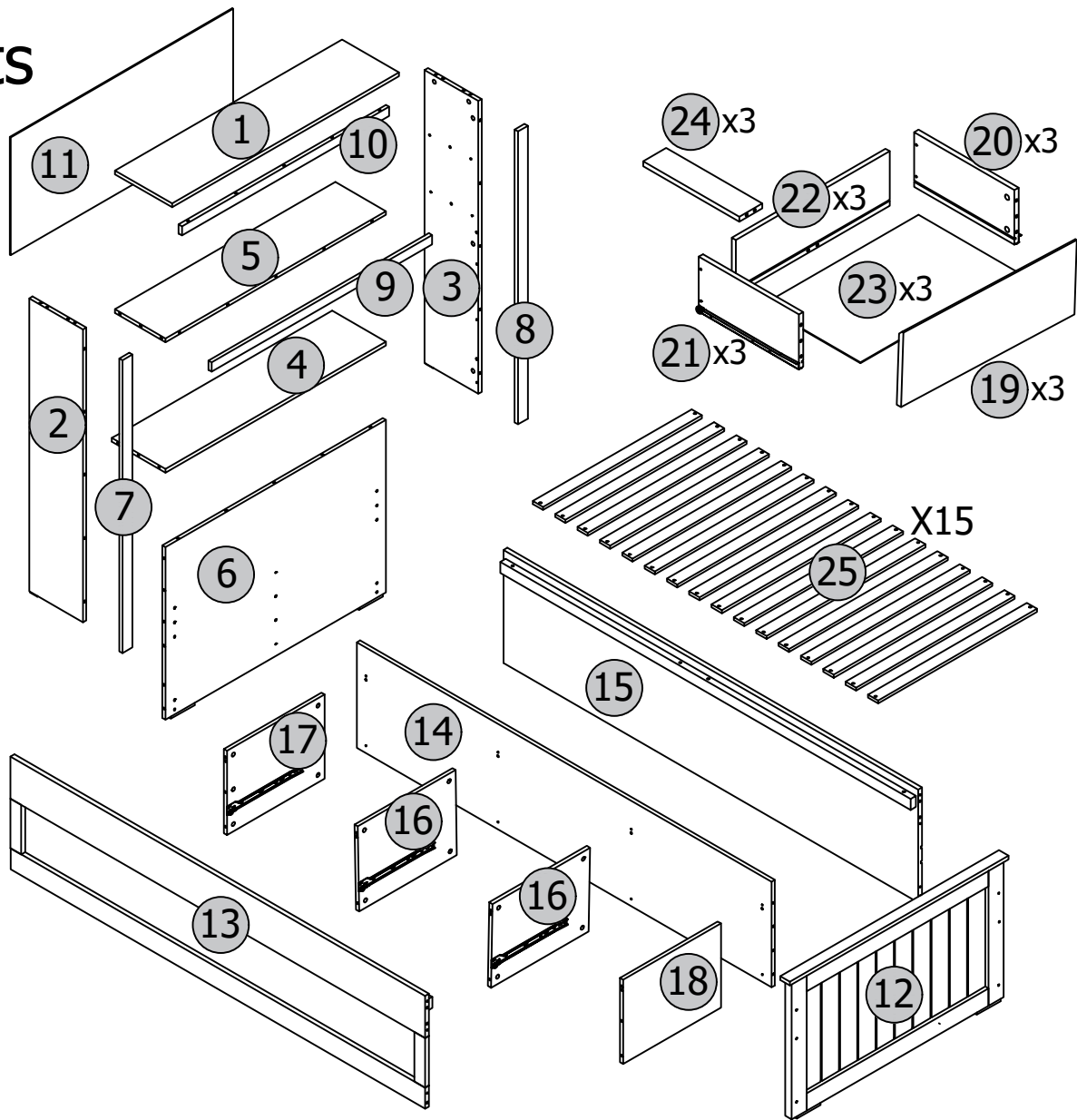
FELT PAD
6PCS

J



JCBC W SCREW
M6 X 30MM
30PCS

Parts


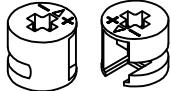
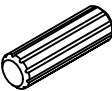


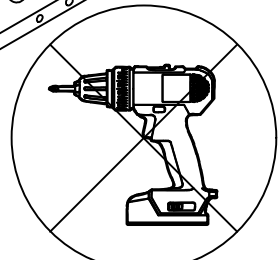
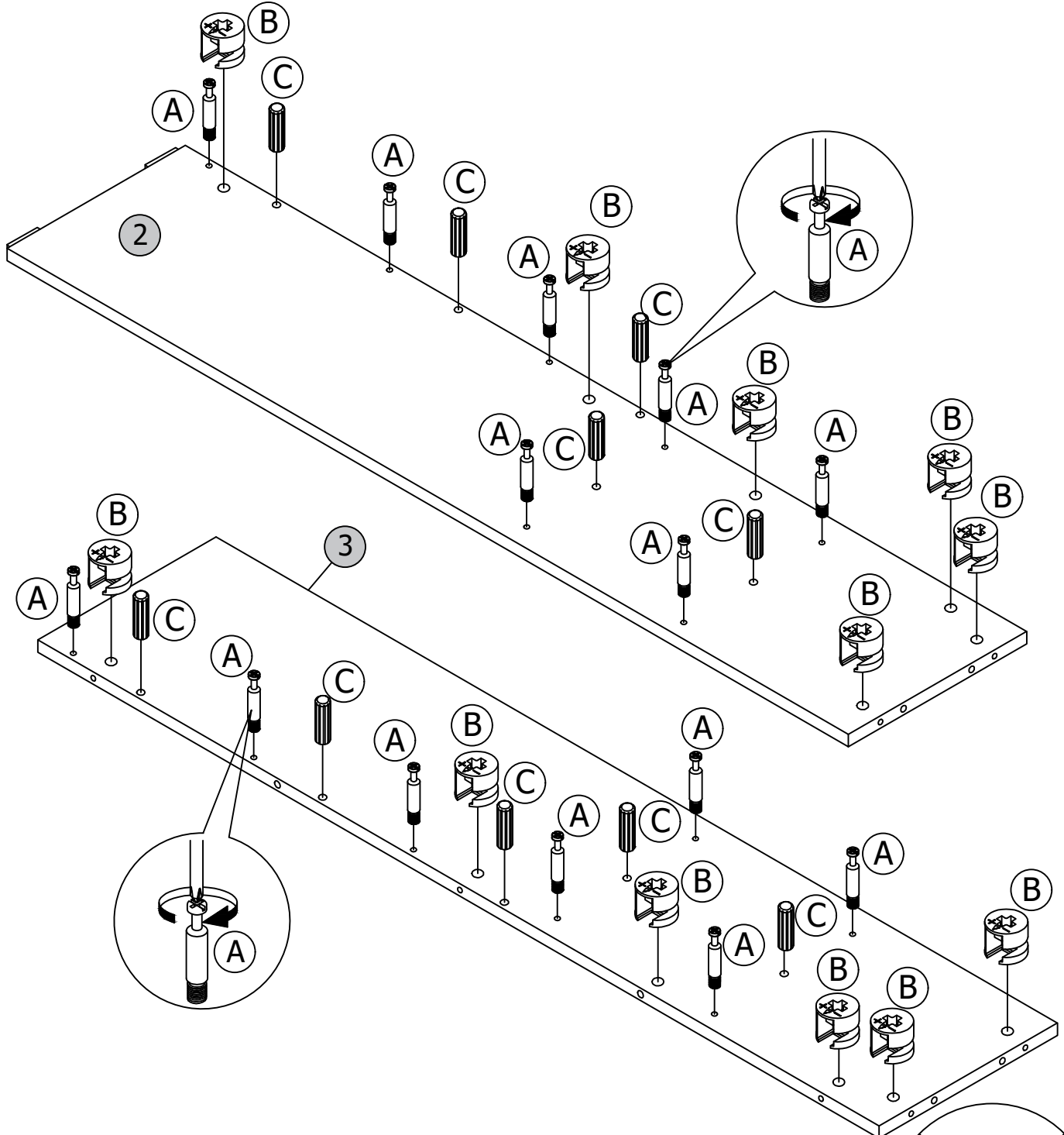
ALL PARTS ARE NUMBERED ACCORDINGLY

CARTON 1 OF 3		
NO	PART NAME	QTY
13	LEFT HAND SIDE RAIL	1
14	CENTER SUPPORT	1
15	RIGHT HAND SIDE RAIL	1
20	RIGHT DRAWER SIDE PANEL	3
21	LEFT DRAWER SIDE PANEL	3
22	DRAWER BACK PANEL	3
23	DRAWER BOTTOM PANEL	3
24	DRAWER BOTTOM SUPPORT	3
CARTON 3 OF 3		
NO	PART NAME	QTY
16	DRAWER DIVIDER	2
17	DRAWER DIVIDER	1
18	DRAWER DIVIDER	1
19	DRAWER FRONT PANEL	3

CARTON 2 OF 3		
NO	PART NAME	QTY
1	HEADBOARD TOP PANEL	1
2	HEADBOARD LEFT PANEL	1
3	HEADBOARD RIGHT PANEL	1
4	LOWER SHELF PANEL	1
5	UPPER SHELF PANEL	1
6	HEADBOARD BOTTOM PANEL	1
7	LEFT FRONT PANEL	1
8	RIGHT FRONT PANEL	1
9	CENTER STRETCHER	1
10	TOP STRETCHER	1
11	HEADBOARD BACK PANEL	1
12	FOOTBOARD	1
25	LVL SLATS	15
HARDWARE + ASSEMBLY INSTRUCTION		


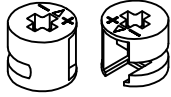
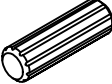
Step 1

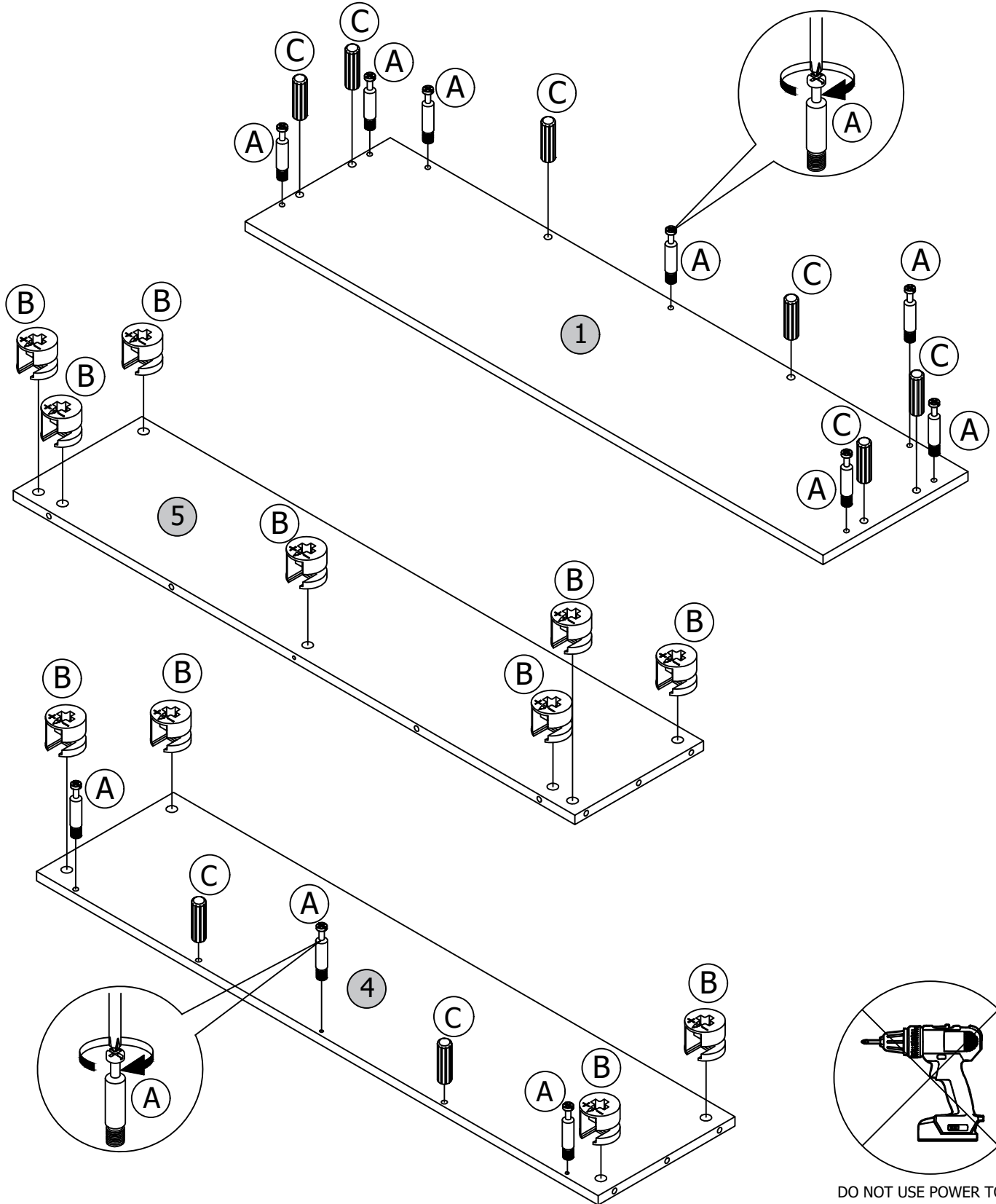
 A	 B	 C
14 PCS	12 PCS	10 PCS



DO NOT USE POWER TOOLS AS THIS MAY DAMAGE THE FRAME AND WILL INVALIDATE ANY CLAIM. DO NOT USE POWER TOOLS

Step 2


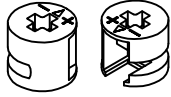
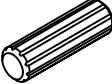
 A	 B	 C
10 PCS	11 PCS	8 PCS

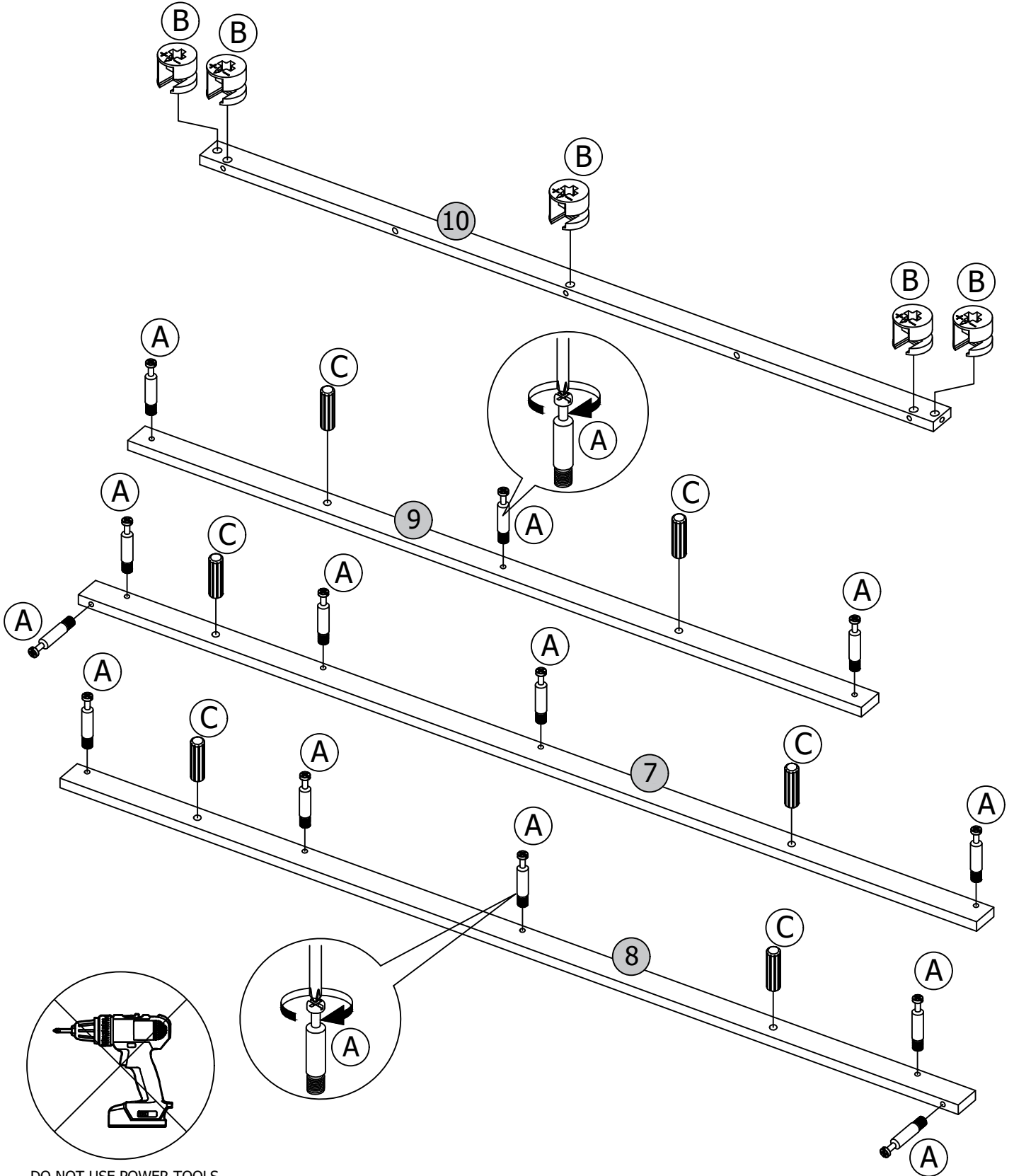


DO NOT USE POWER TOOLS AS THIS MAY DAMAGE THE FRAME AND WILL INVALIDATE ANY CLAIM.

DO NOT USE POWER TOOLS

Step 3

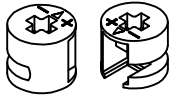
 A	 B	 C
13 PCS	5 PCS	6 PCS



DO NOT USE POWER TOOLS

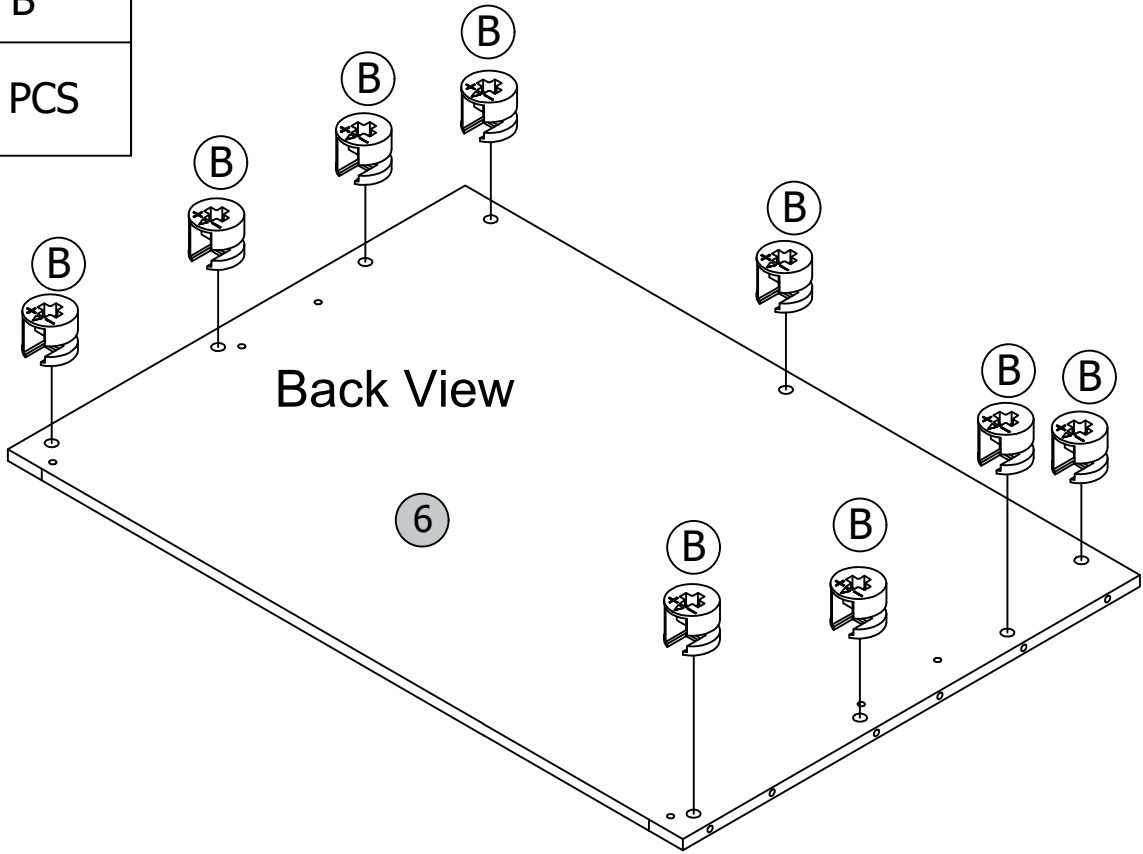
DO NOT USE POWER TOOLS AS THIS MAY DAMAGE THE FRAME AND WILL INVALIDATE ANY CLAIM.

Step 4



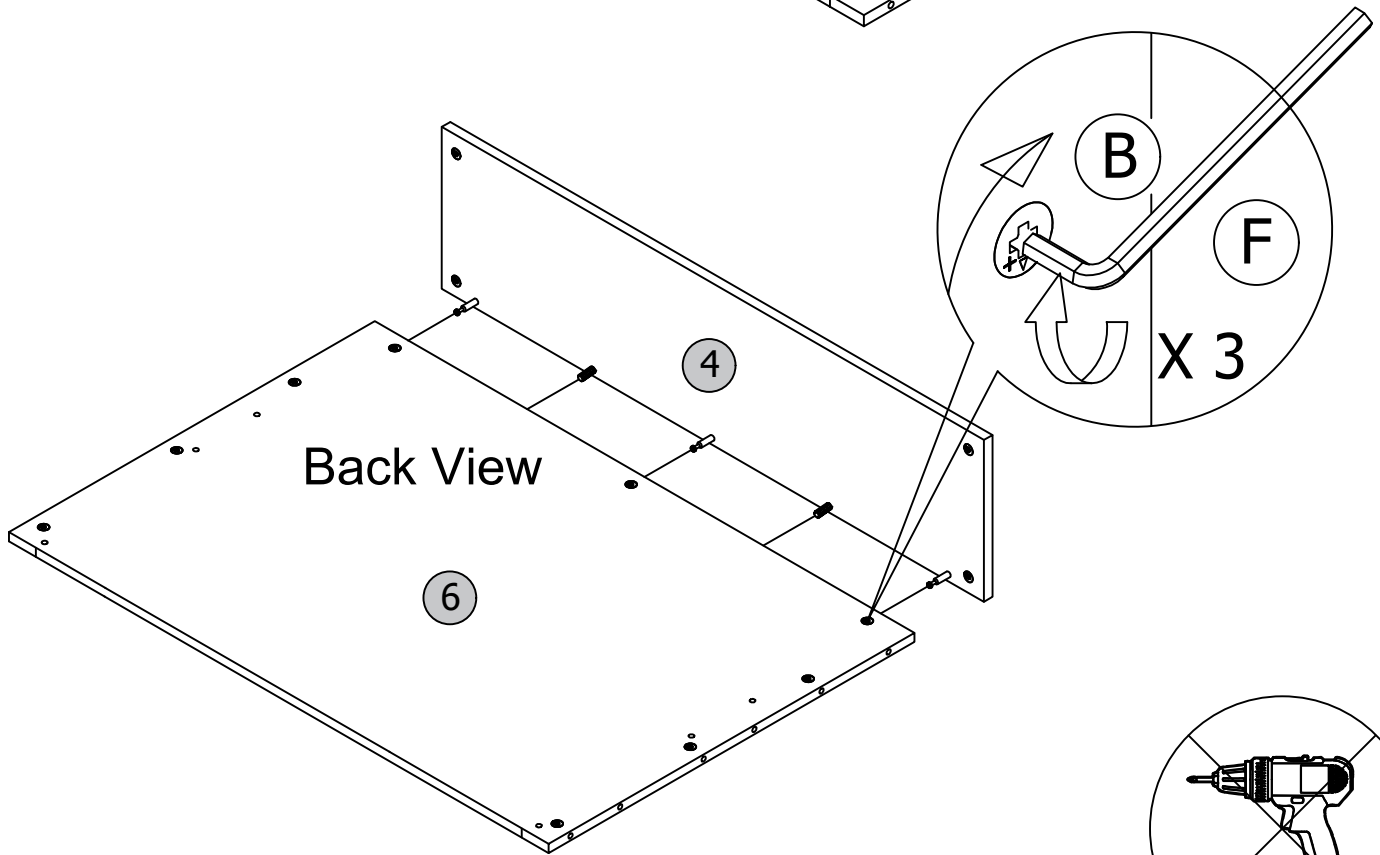
B

9 PCS



Back View

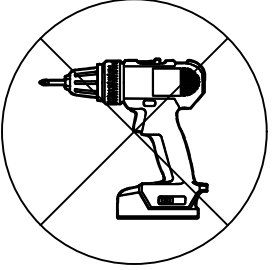
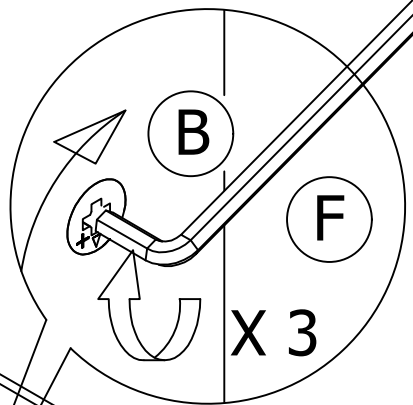
6



Back View

4

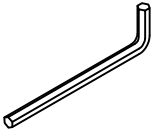
6

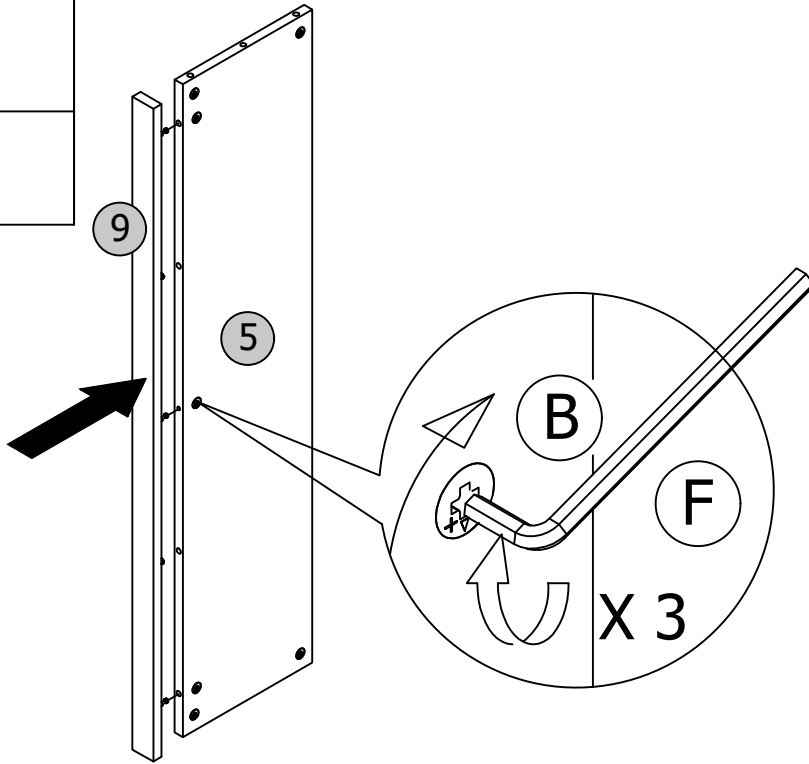


DO NOT USE POWER TOOLS







DO NOT USE POWER TOOLS AS THIS MAY DAMAGE THE FRAME AND WILL INVALIDATE ANY CLAIM.

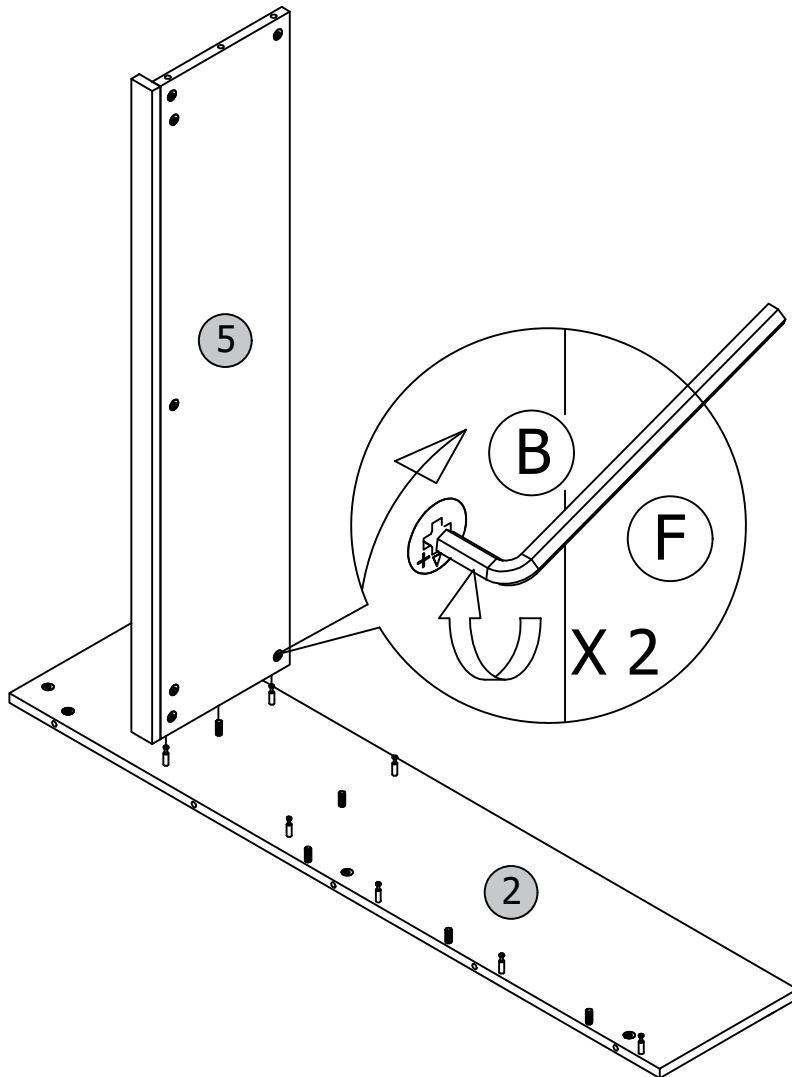
Step 5


F
1 PC

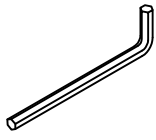


WHEN FITTING CAMS
ENSURE STARTING POSITION IS CORRECT
BEFORE YOU INSERT CONNECTING BOLT
TURN CLOCKWISE UNTIL SECURE

CORRECT	WRONG	
		
		



Step 6



F

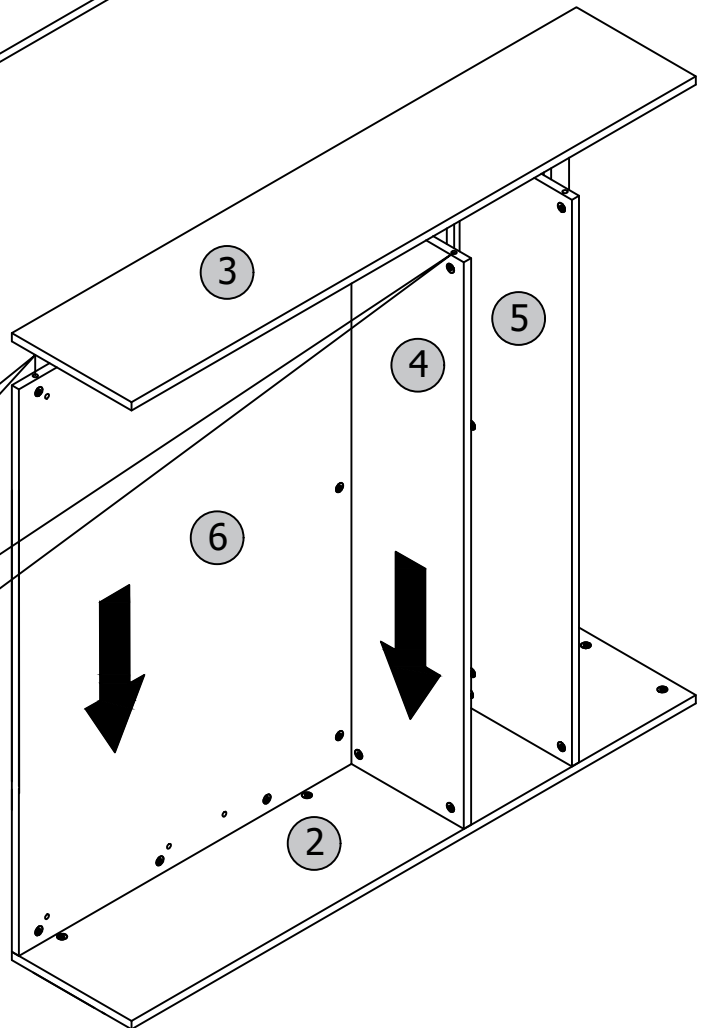
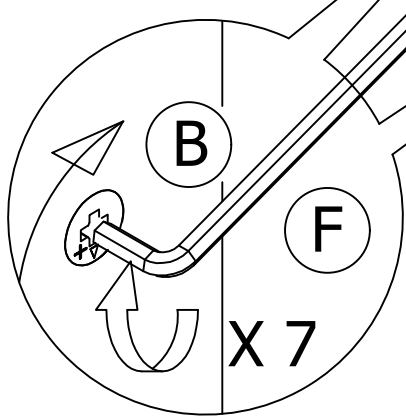
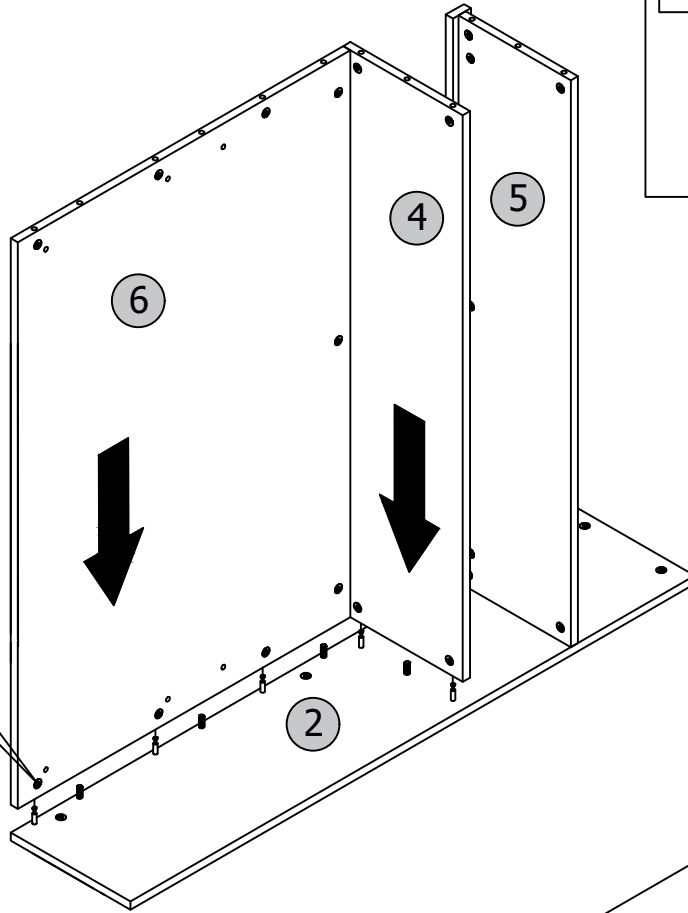
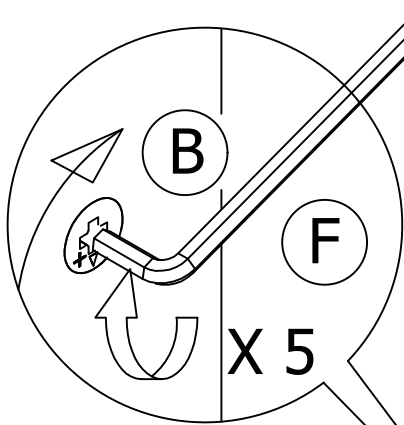
1 PC

WHEN FITTING CAMS
ENSURE STARTING POSITION IS CORRECT
BEFORE YOU INSERT CONNECTING BOLT
TURN CLOCKWISE UNTIL SECURE

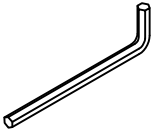
CORRECT



WRONG









Step 7

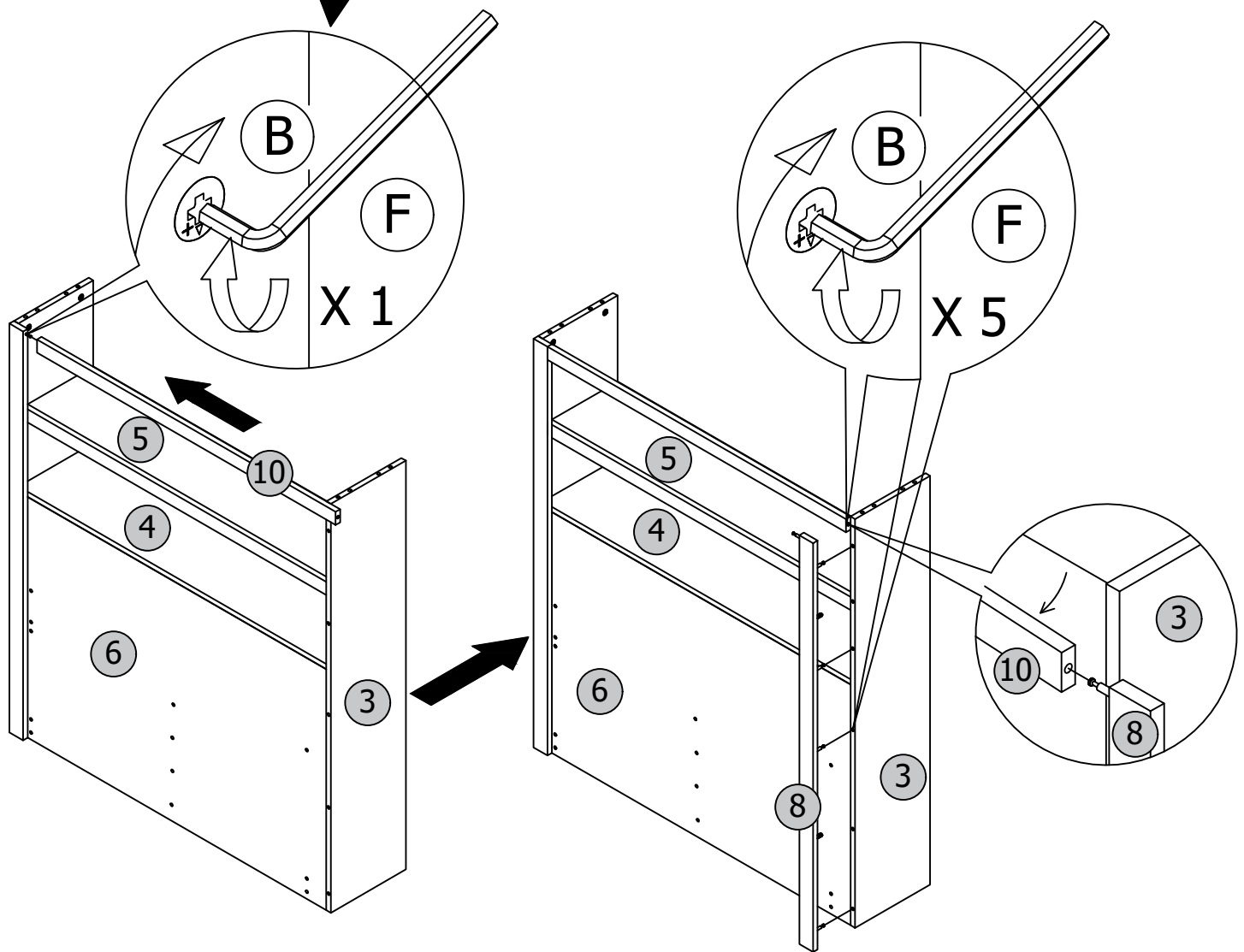
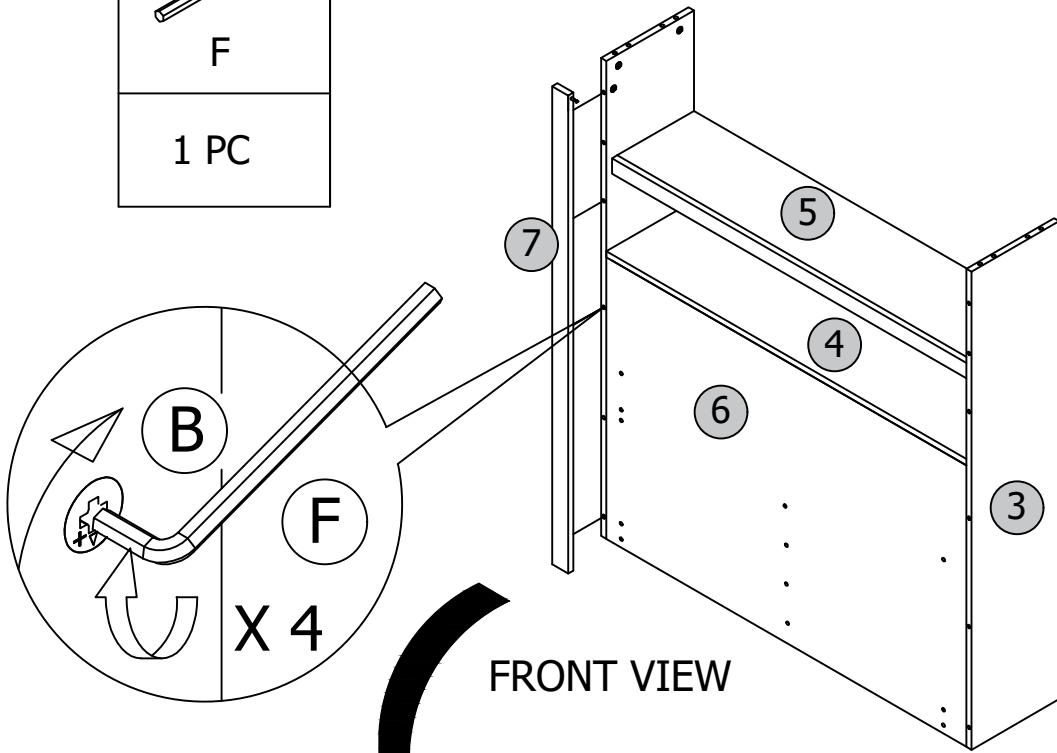


F


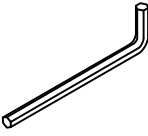
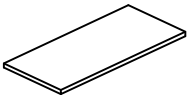
1 PC

WHEN FITTING CAMS
ENSURE STARTING POSITION IS CORRECT
BEFORE YOU INSERT CONNECTING BOLT
TURN CLOCKWISE UNTIL SECURE






CORRECT	WRONG	
		
		



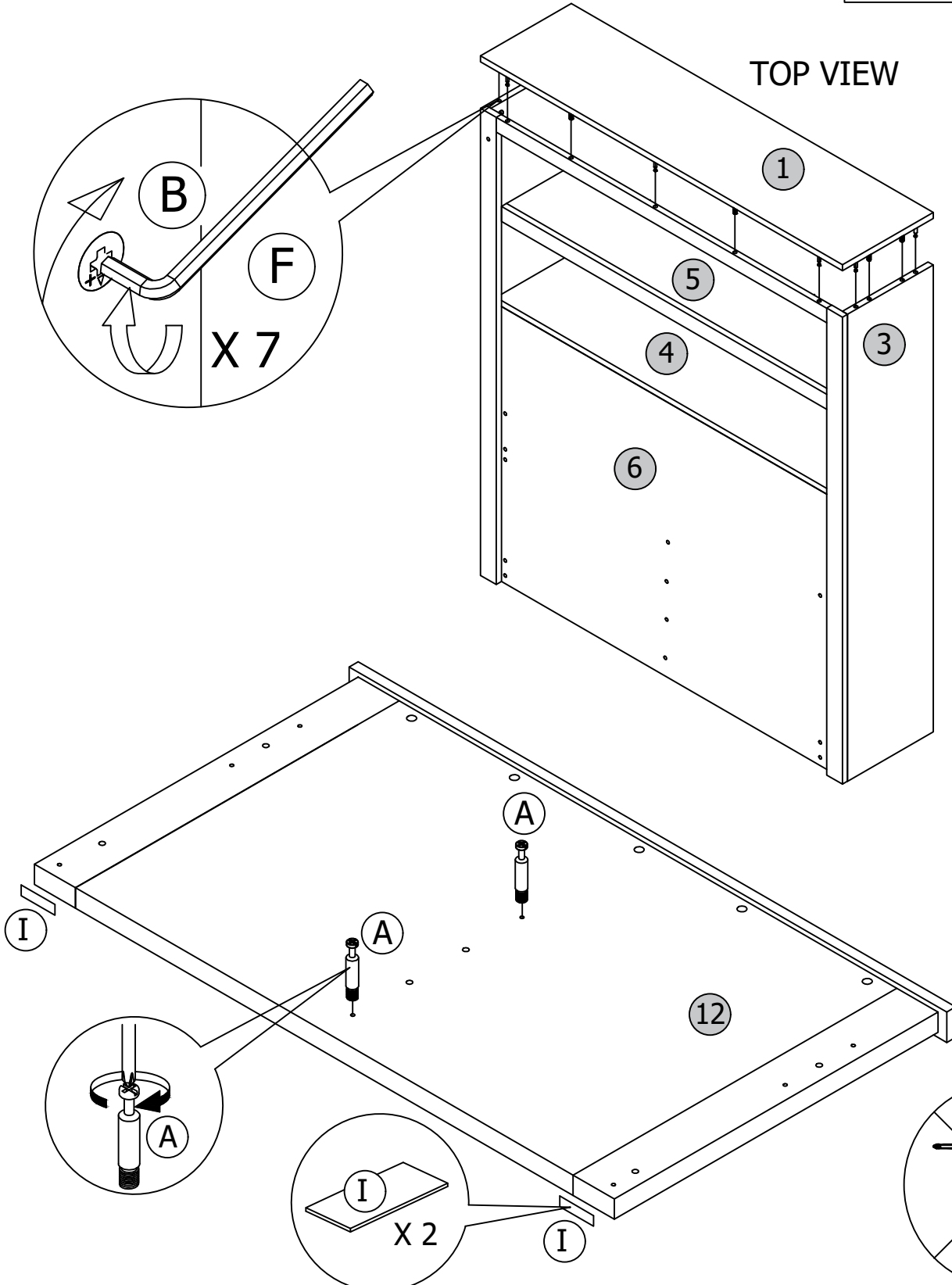
Step 8

		
A	F	I
2 PCS	1 PC	2 PCS

WHEN FITTING CAMS
ENSURE STARTING POSITION IS CORRECT
BEFORE YOU INSERT CONNECTING BOLT
TURN CLOCKWISE UNTIL SECURE



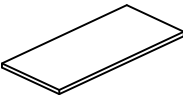
CORRECT 	WRONG 	
		

TOP VIEW








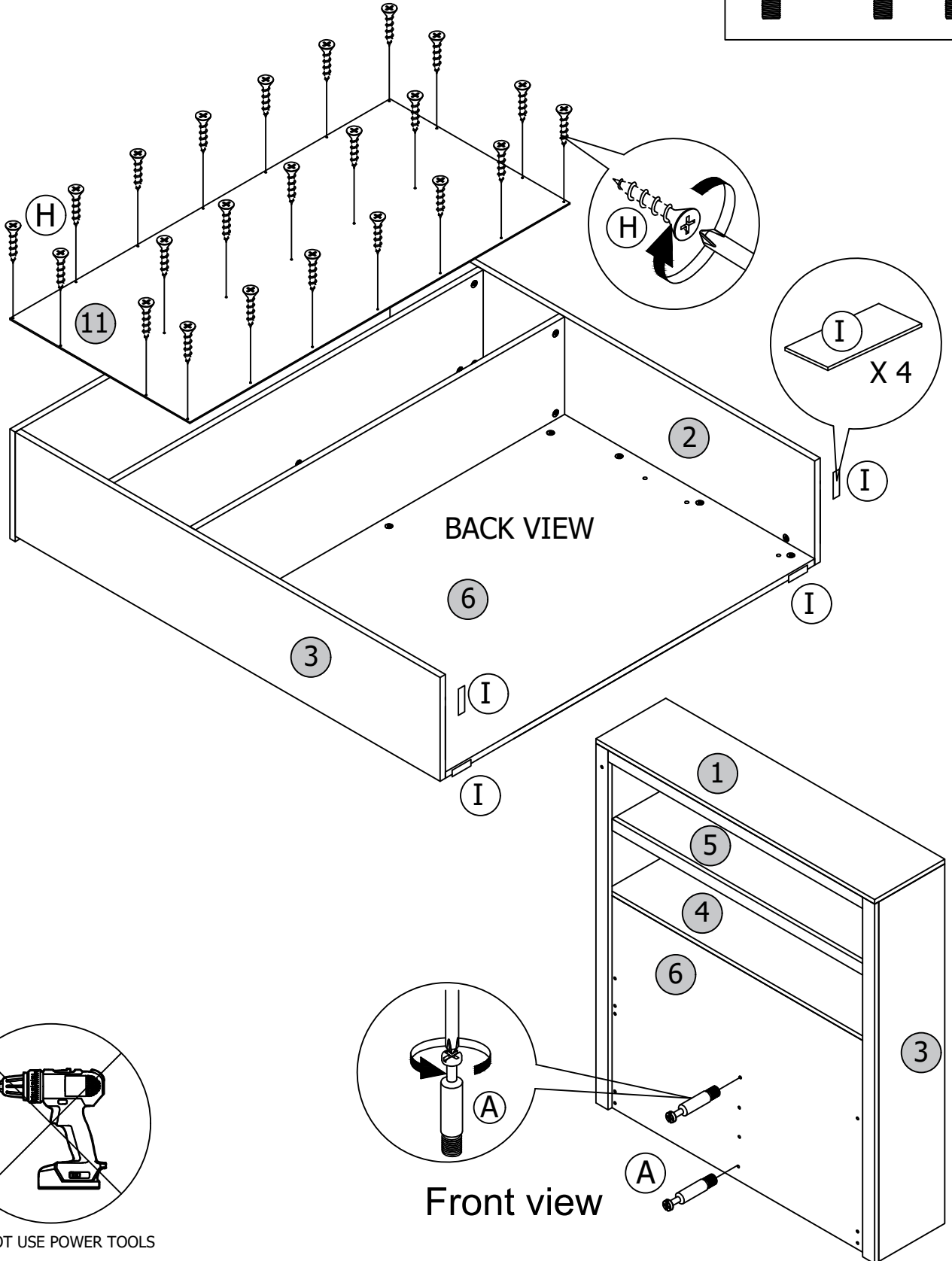
DO NOT USE POWER TOOLS AS THIS MAY DAMAGE THE FRAME AND WILL INVALIDATE ANY CLAIM. DO NOT USE POWER TOOLS

Step 9

		
A	H	I
2 PCS	23 PCS	4 PCS

WHEN FITTING CAMS
ENSURE STARTING POSITION IS CORRECT
BEFORE YOU INSERT CONNECTING BOLT
TURN CLOCKWISE UNTIL SECURE


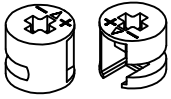
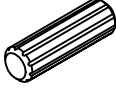
CORRECT 	WRONG 	
		

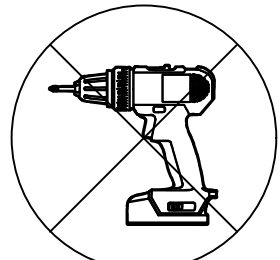
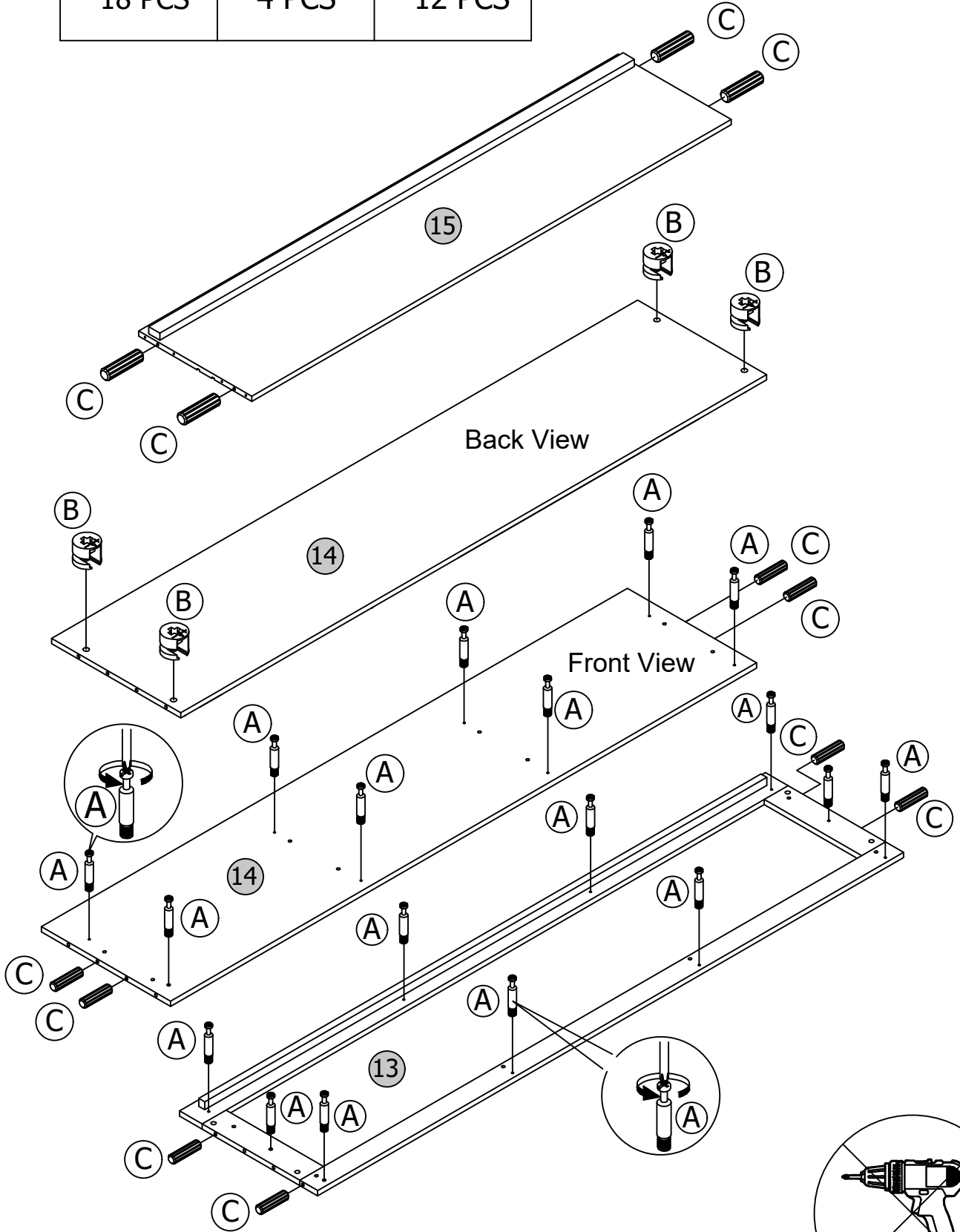


DO NOT USE POWER TOOLS

DO NOT USE POWER TOOLS AS THIS MAY DAMAGE THE FRAME AND WILL INVALIDATE ANY CLAIM.

Step 10

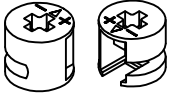
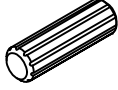
		
A	B	C
18 PCS	4 PCS	12 PCS

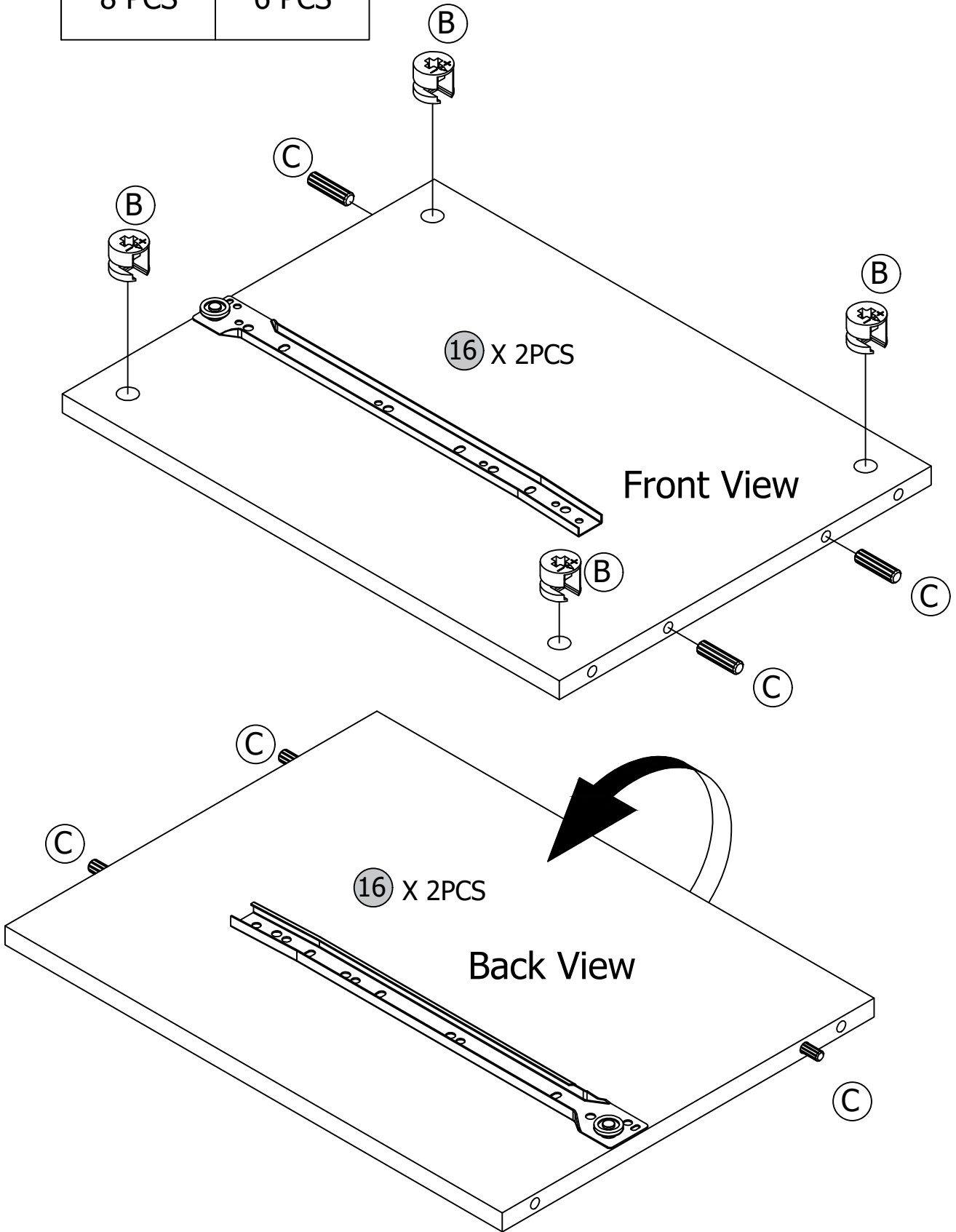


DO NOT USE POWER TOOLS AS THIS MAY DAMAGE THE FRAME AND WILL INVALIDATE ANY CLAIM.

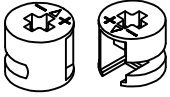
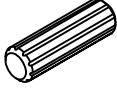
DO NOT USE POWER TOOLS

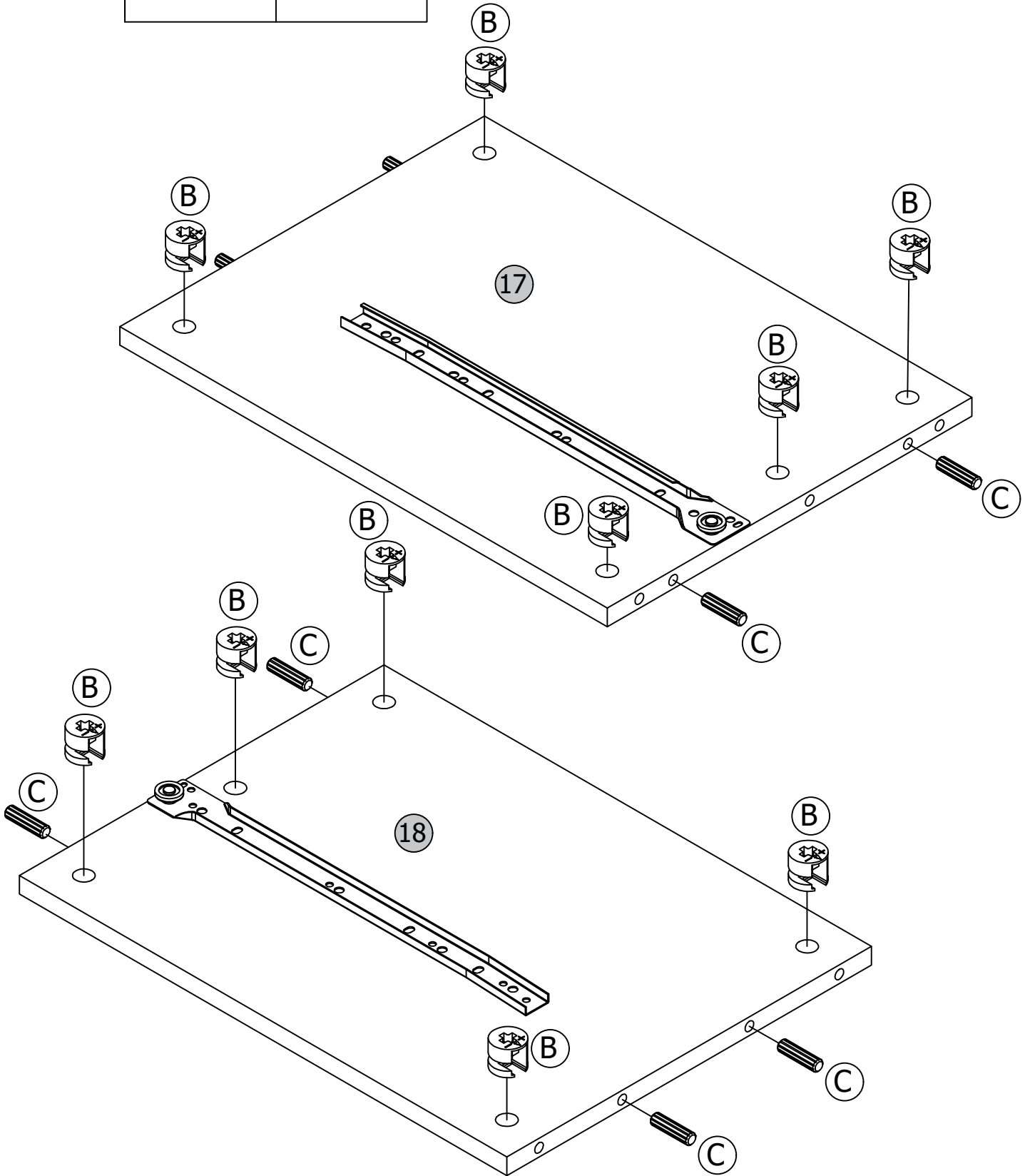
Step 11

	
B	C
8 PCS	6 PCS

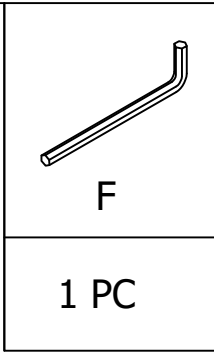


Step 12

	
B	C
10 PCS	8 PCS

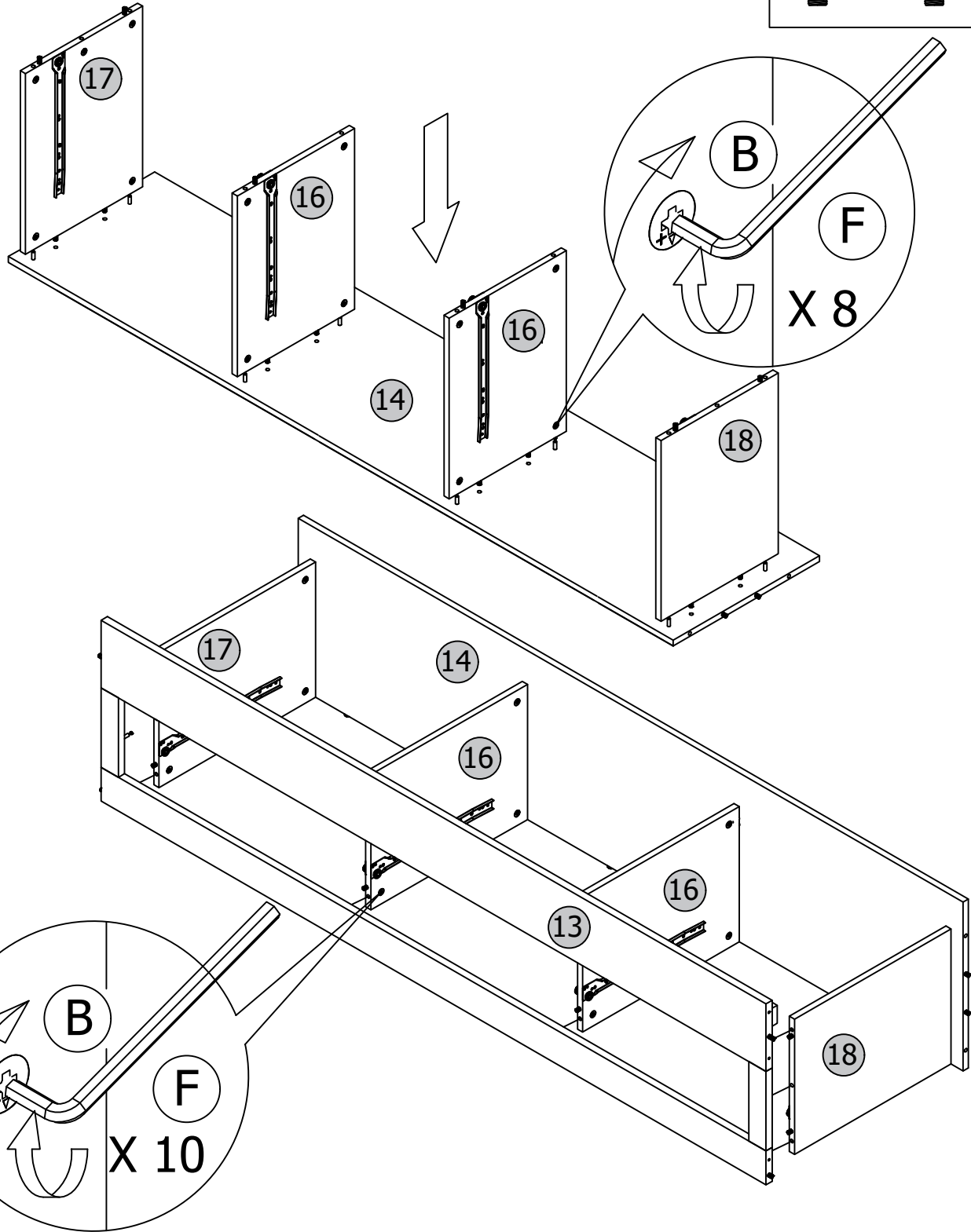


Step 13


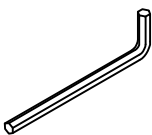


WHEN FITTING CAMS
ENSURE STARTING POSITION IS CORRECT
BEFORE YOU INSERT CONNECTING BOLT
TURN CLOCKWISE UNTIL SECURE






CORRECT	WRONG	

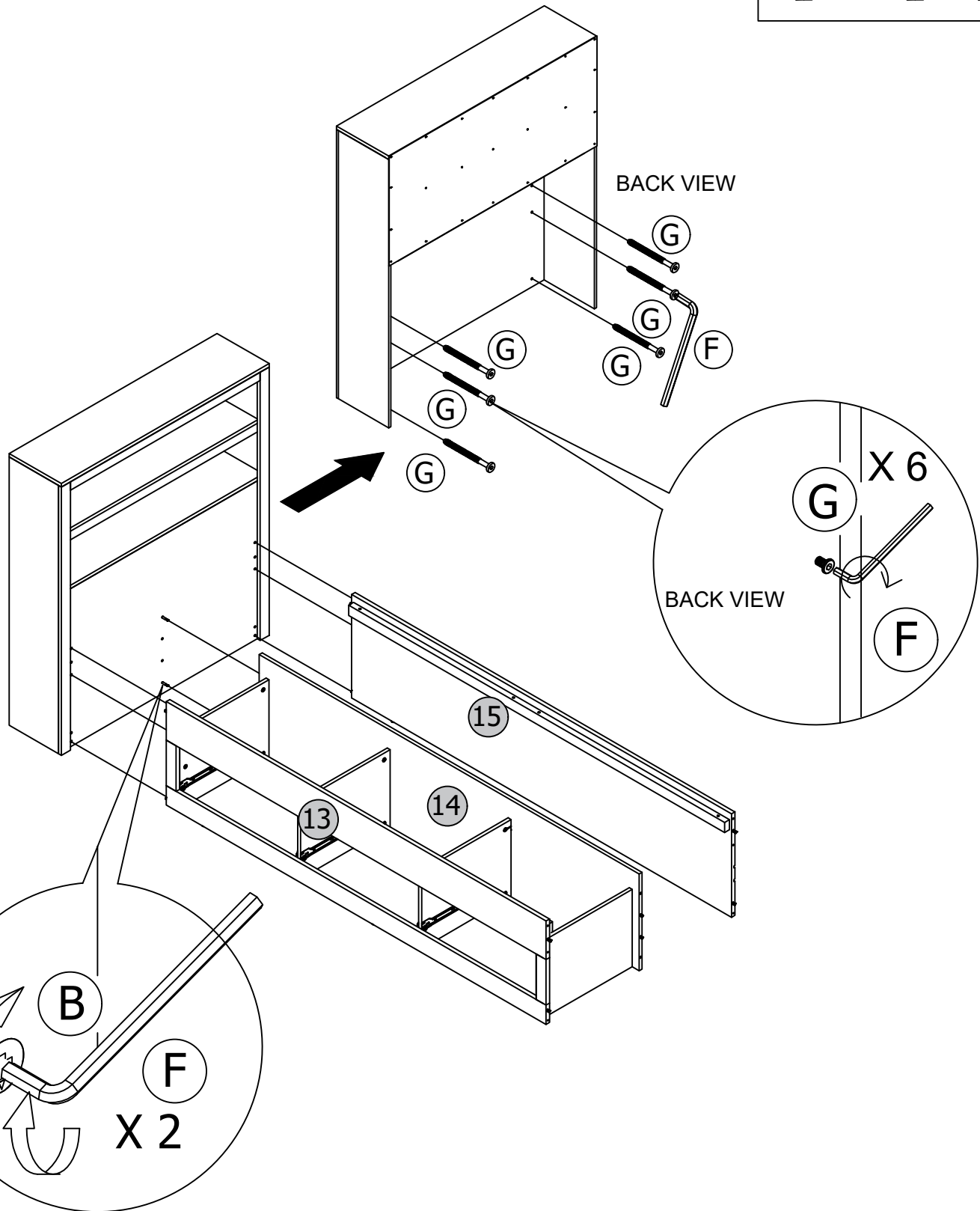


Step 14

 G	 F
6 PCS	1 PC


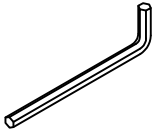
WHEN FITTING CAMS
ENSURE STARTING POSITION IS CORRECT
BEFORE YOU INSERT CONNECTING BOLT
TURN CLOCKWISE UNTIL SECURE

CORRECT 	WRONG 	
		








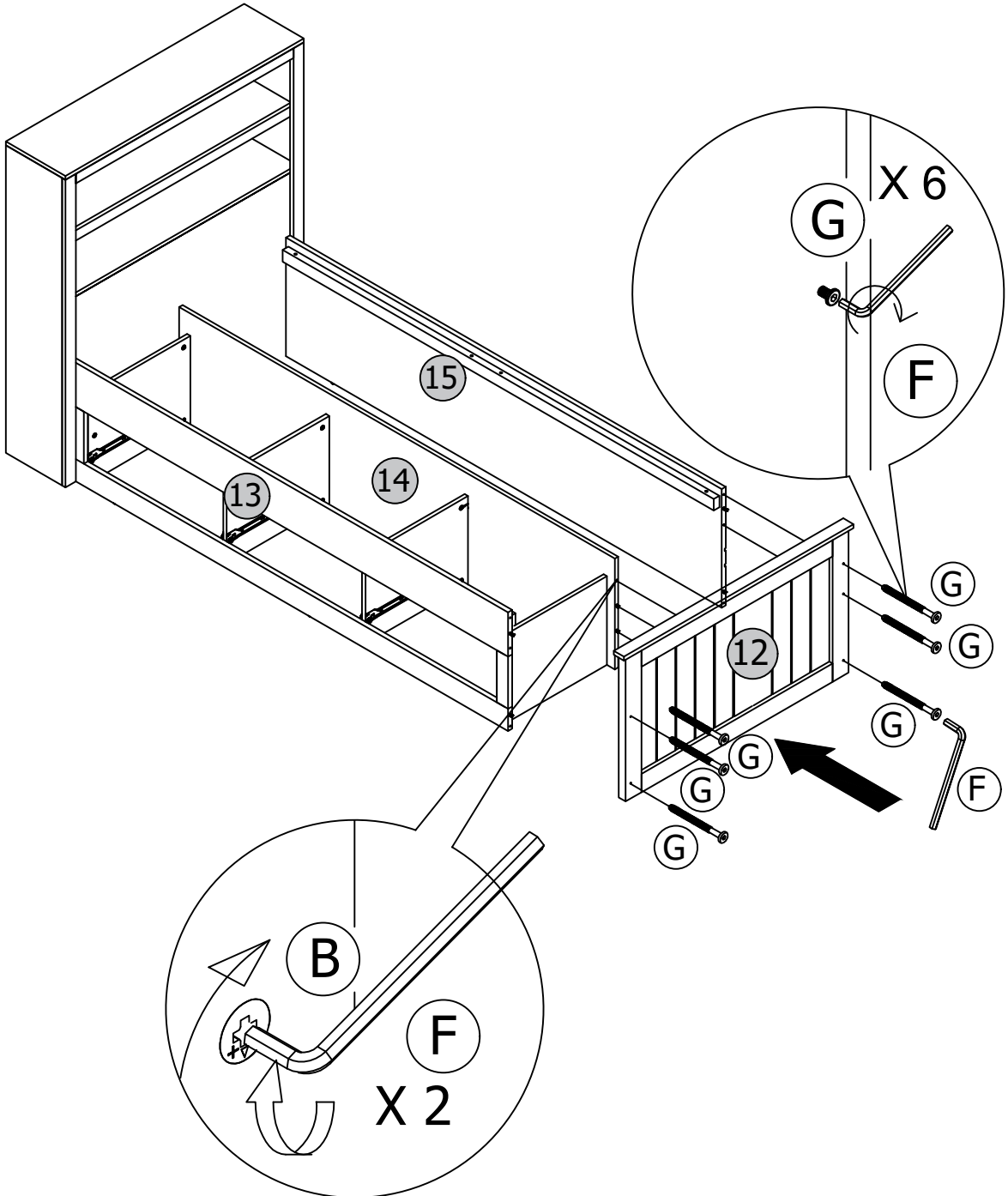
Option1: Left Handside

Step 14.1

 G	 F
6 PCS	1 PC


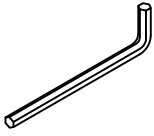
WHEN FITTING CAMS
ENSURE STARTING POSITION IS CORRECT
BEFORE YOU INSERT CONNECTING BOLT
TURN CLOCKWISE UNTIL SECURE

CORRECT 	WRONG 	
		








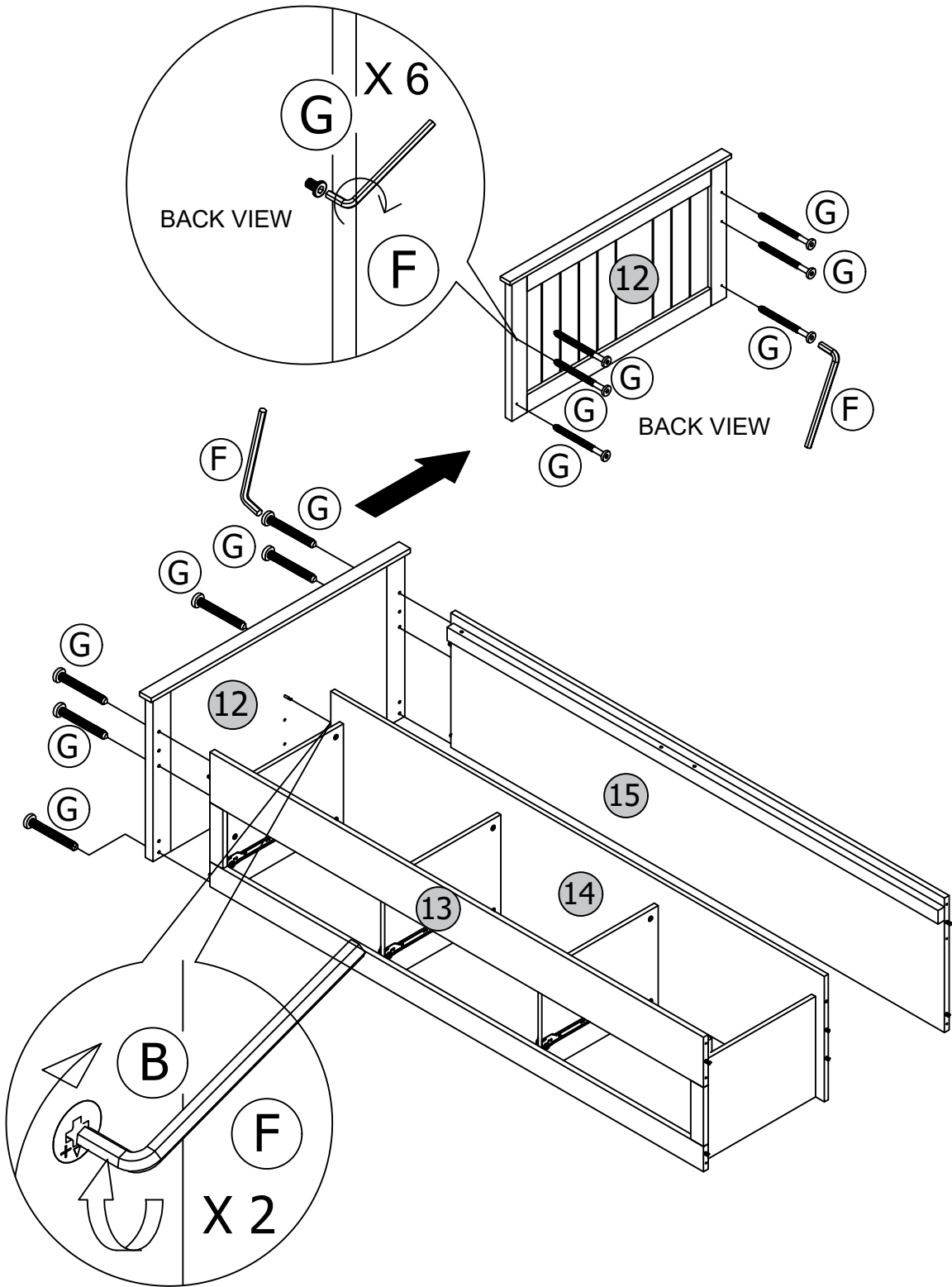
Option1: Left Handside

Step 14.2

	
G	F
6 PCS	1 PC


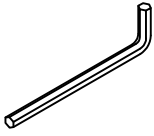
WHEN FITTING CAMS
ENSURE STARTING POSITION IS CORRECT
BEFORE YOU INSERT CONNECTING BOLT
TURN CLOCKWISE UNTIL SECURE

CORRECT 	WRONG 	
		








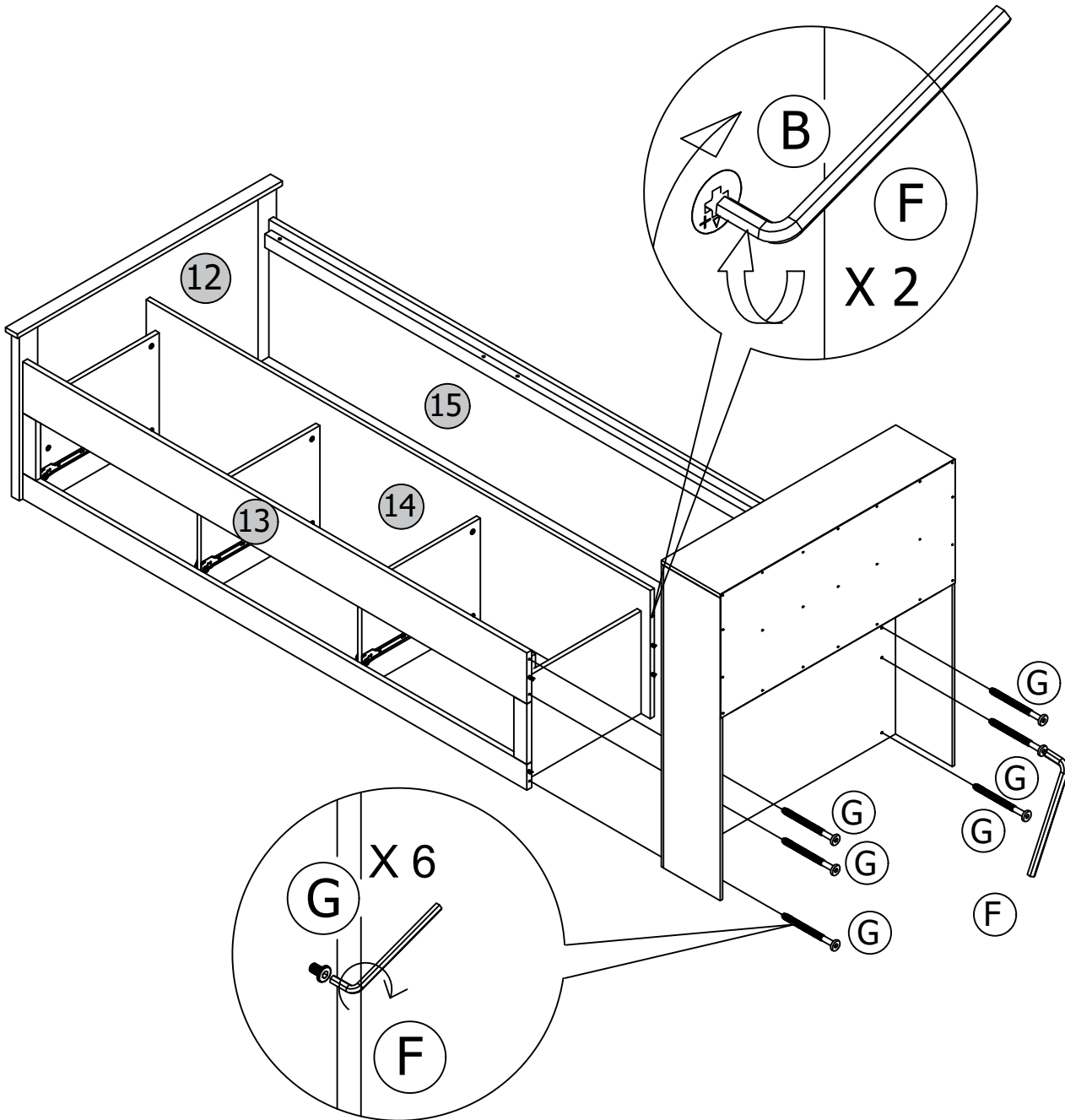
Option2: Right Handside

Step 14.3

	
G	F
6 PCS	1 PC

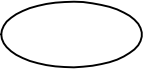
WHEN FITTING CAMS
 ENSURE STARTING POSITION IS CORRECT
 BEFORE YOU INSERT CONNECTING BOLT
 TURN CLOCKWISE UNTIL SECURE

CORRECT 	WRONG 	
		









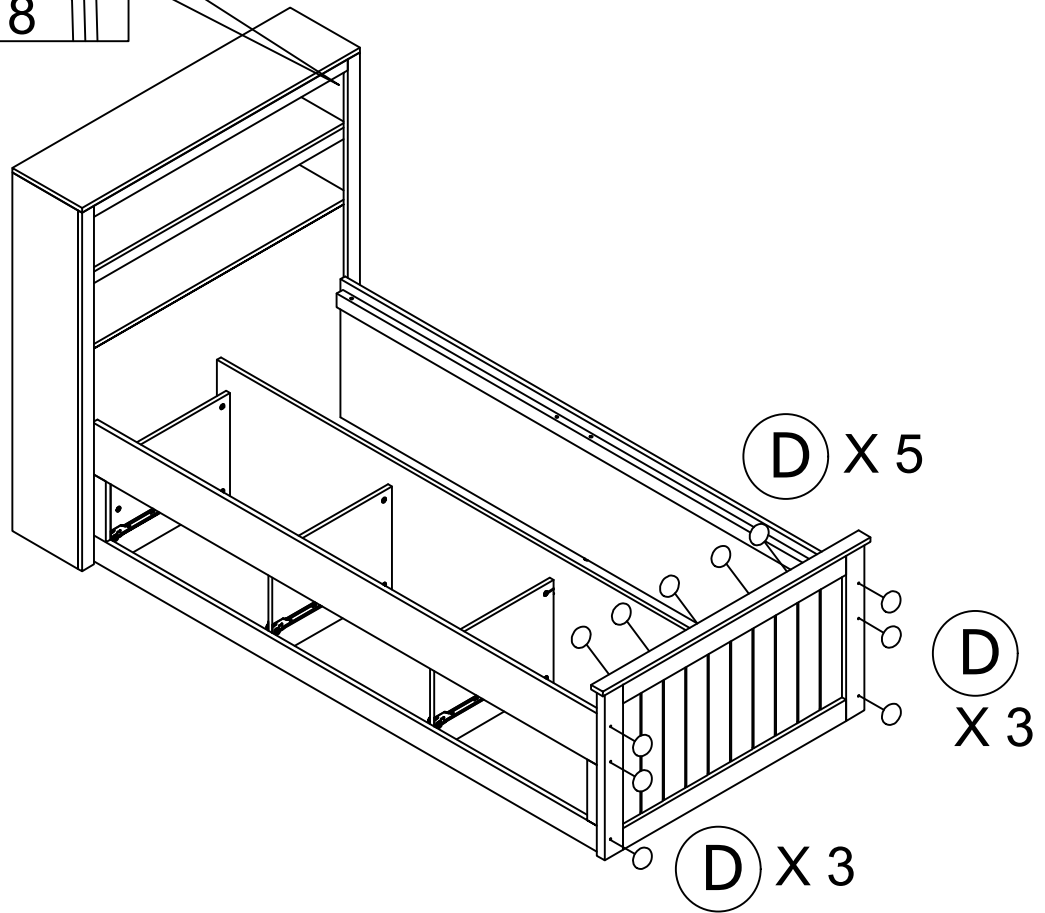
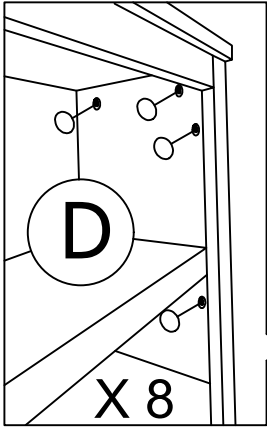
Option2: Right Handside

Step 15


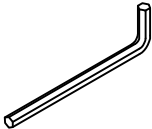
 D
19 PCS

WHEN FITTING CAMS
ENSURE STARTING POSITION IS CORRECT
BEFORE YOU INSERT CONNECTING BOLT
TURN CLOCKWISE UNTIL SECURE






CORRECT 	WRONG  
	 

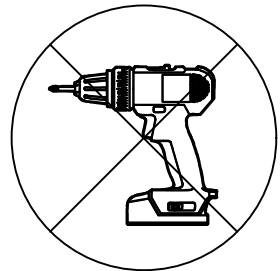
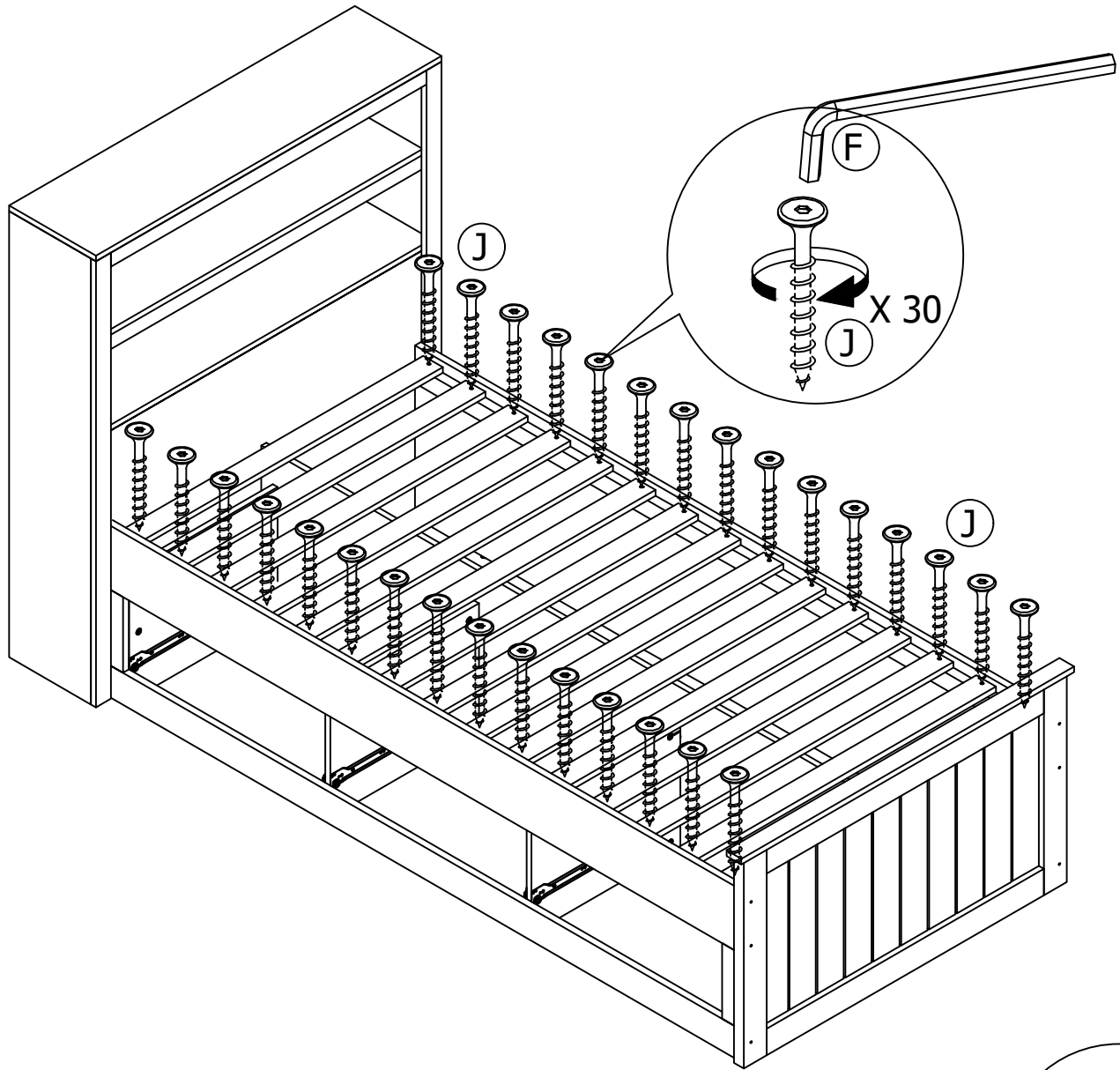


Step 16


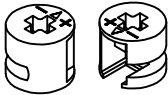
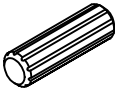
	
J	F
30 PCS	1 PC

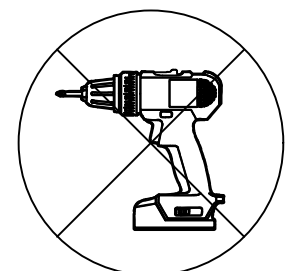
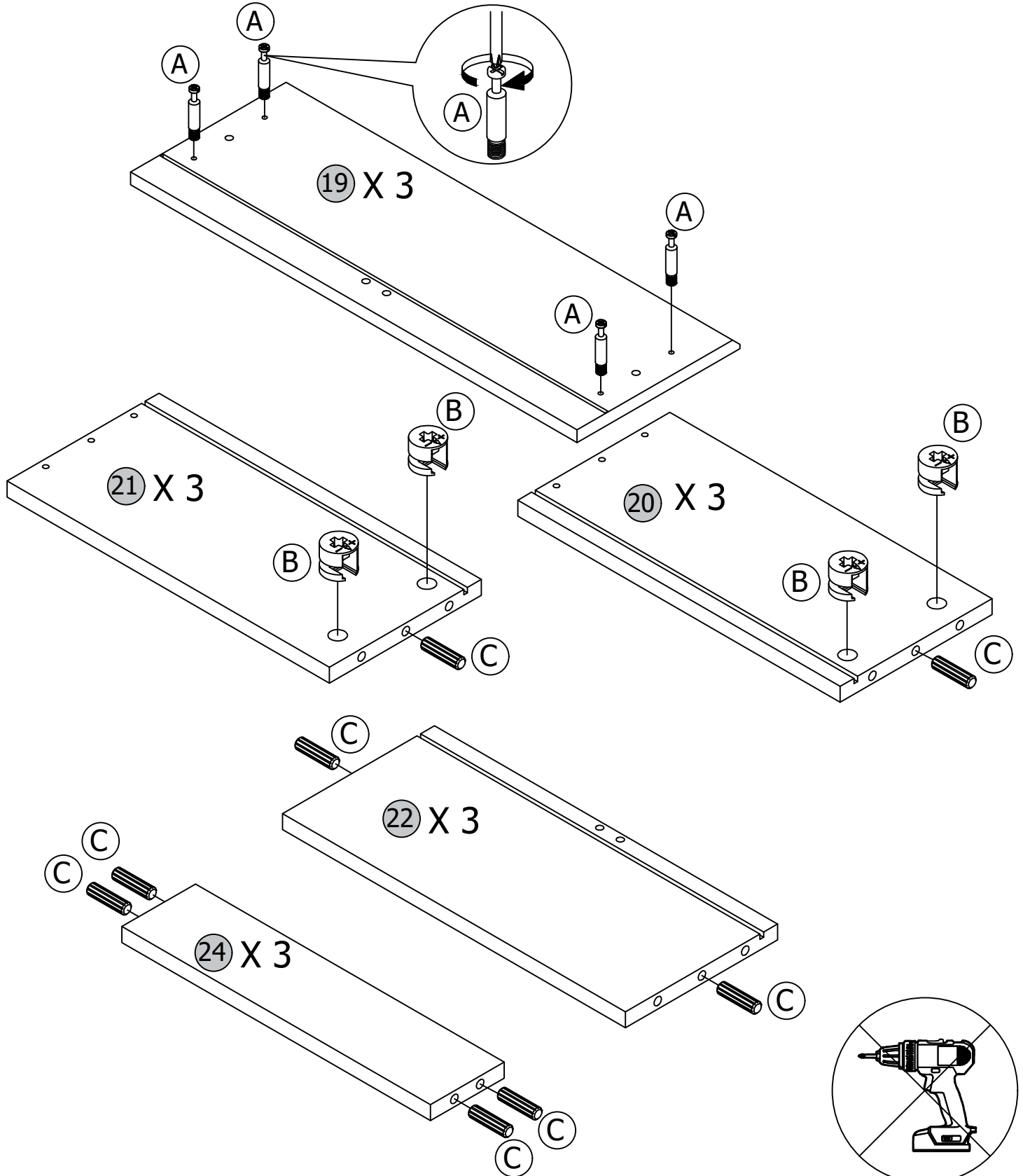
WHEN FITTING CAMS
ENSURE STARTING POSITION IS CORRECT
BEFORE YOU INSERT CONNECTING BOLT
TURN CLOCKWISE UNTIL SECURE

CORRECT 	WRONG 	
		



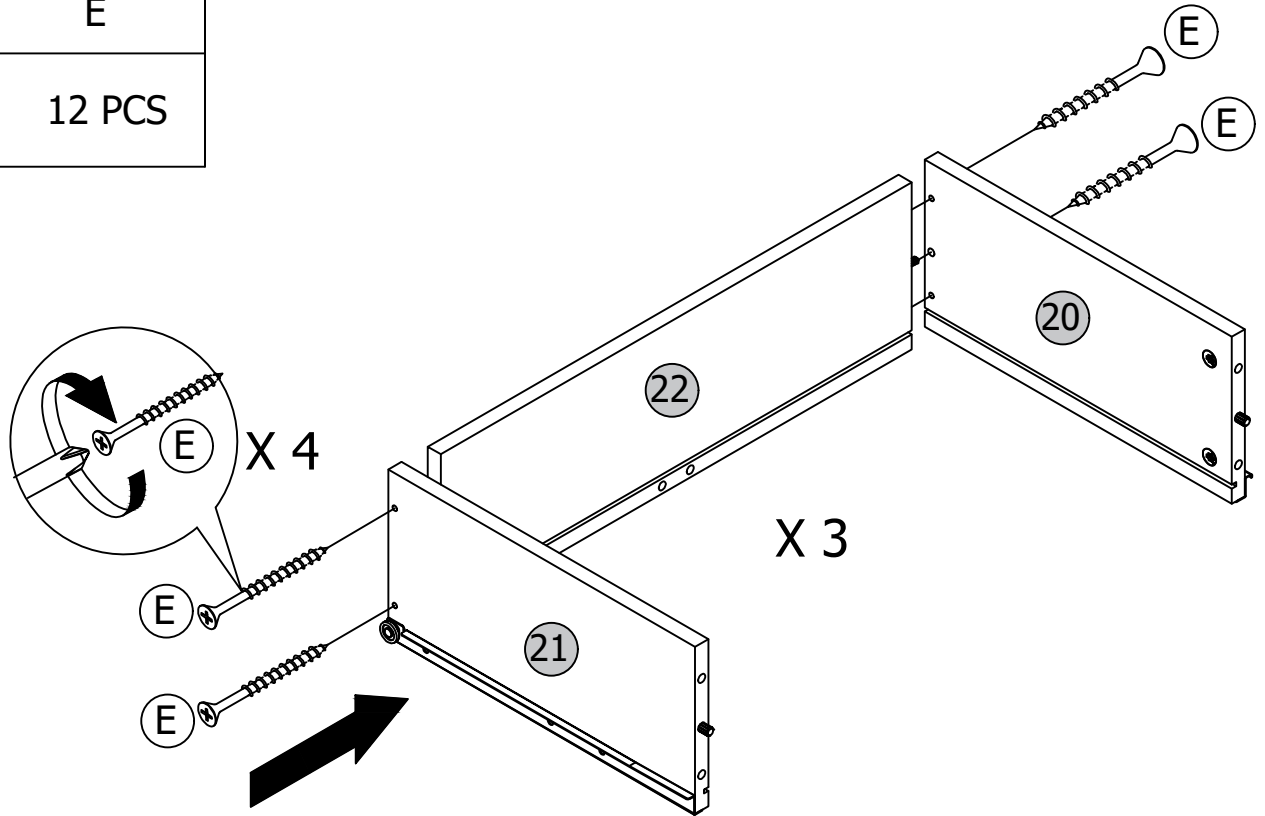
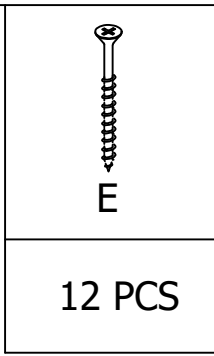
Step 17

		
A	B	C
12 PCS	12 PCS	24 PCS

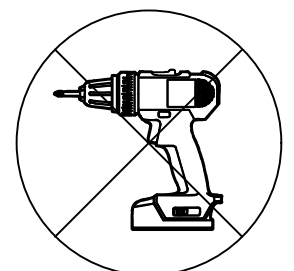
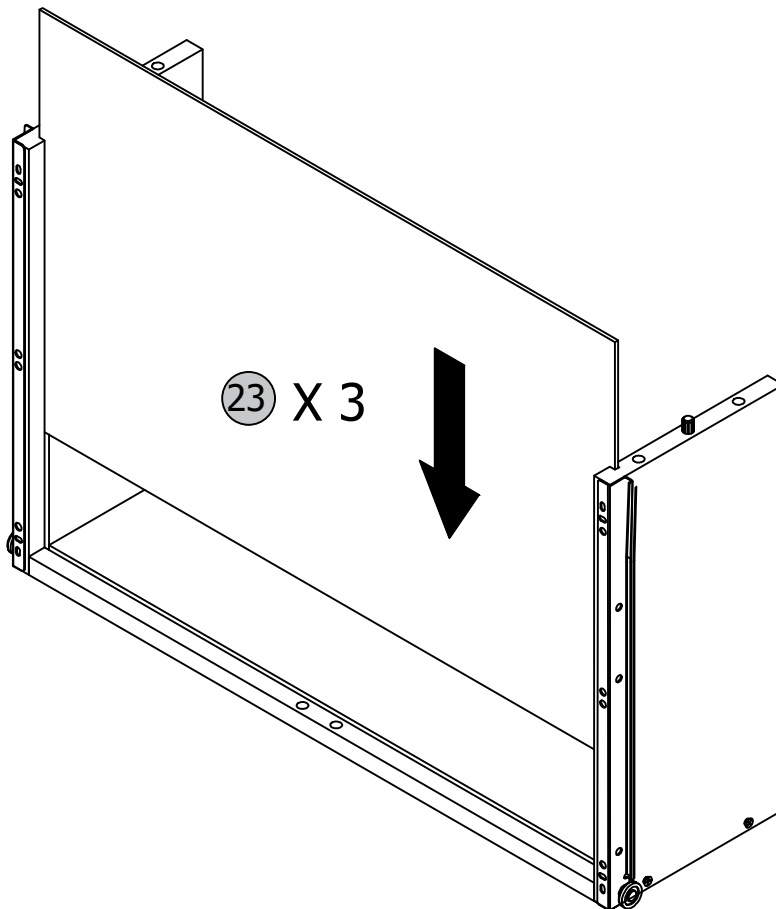


DO NOT USE POWER TOOLS AS THIS MAY DAMAGE THE FRAME AND WILL INVALIDATE ANY CLAIM. DO NOT USE POWER TOOLS

Step 18

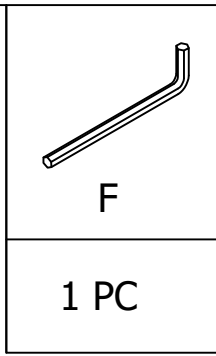


Step 19



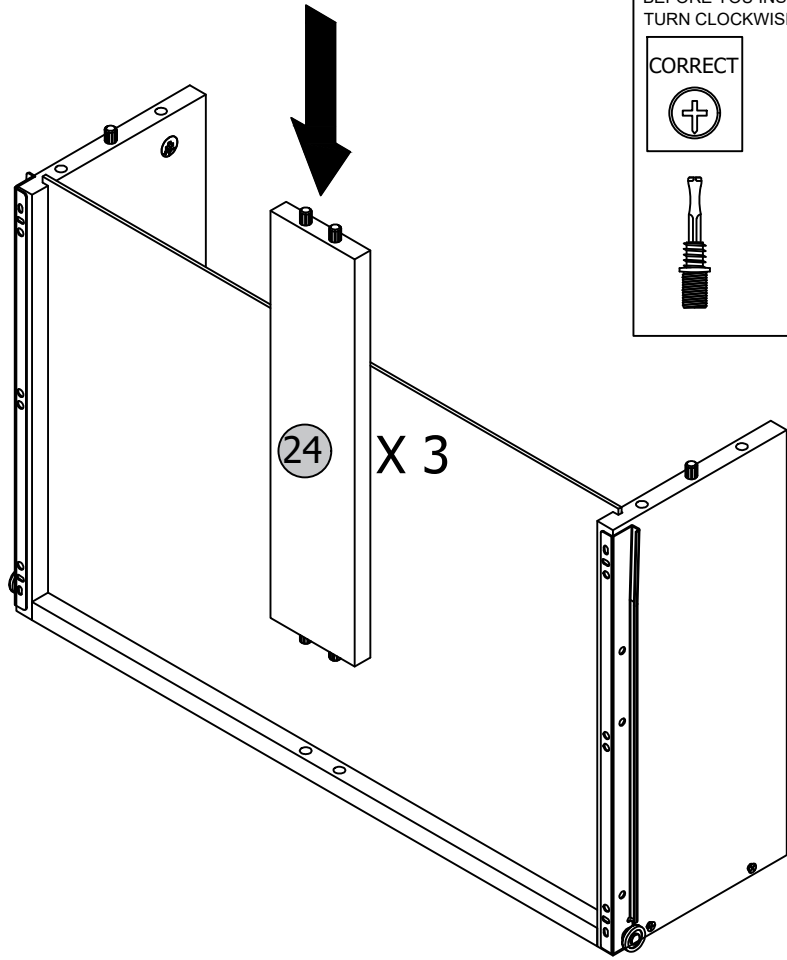
DO NOT USE POWER TOOLS AS THIS MAY DAMAGE THE FRAME AND WILL INVALIDATE ANY CLAIM. DO NOT USE POWER TOOLS

Step 20

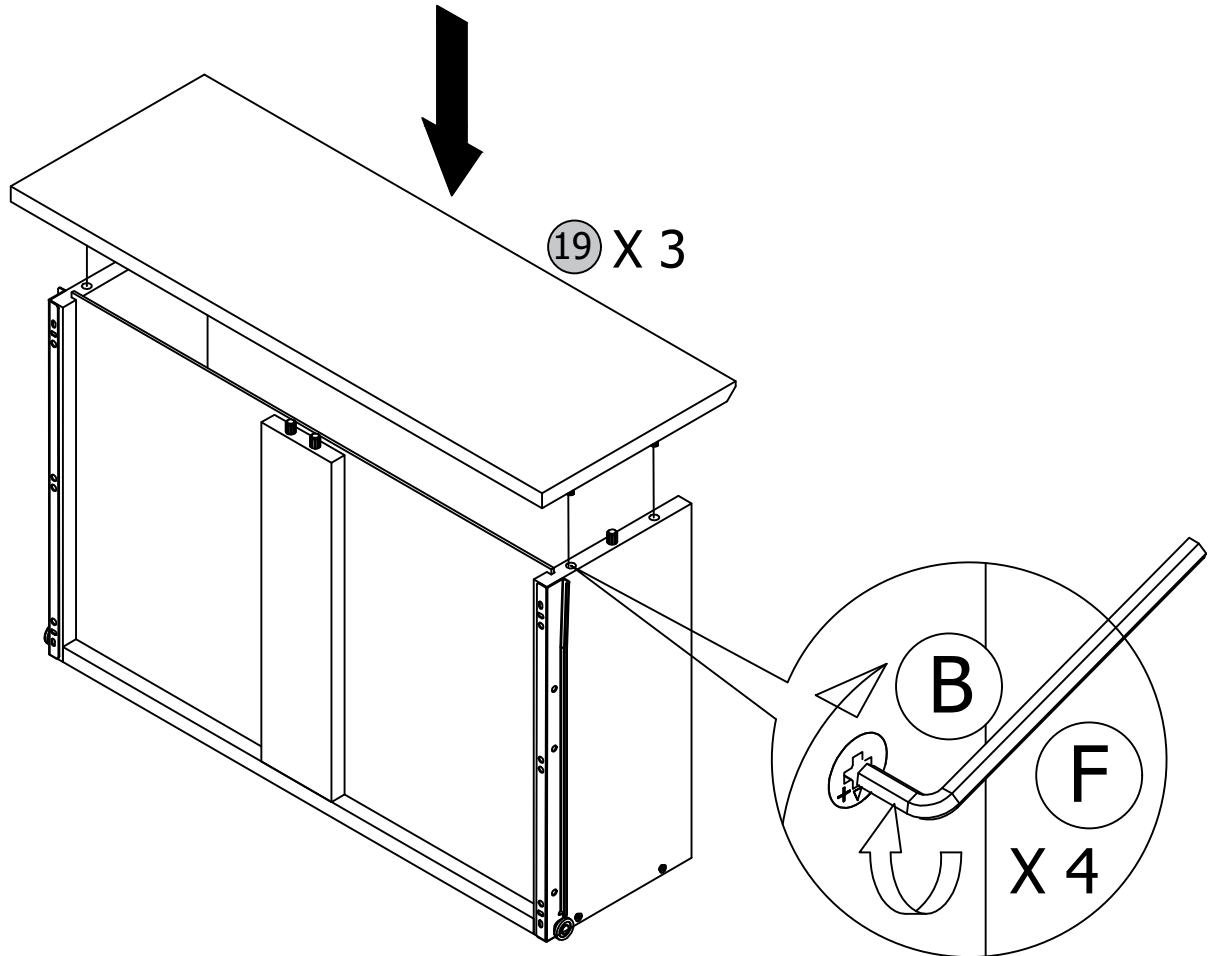


WHEN FITTING CAMS
ENSURE STARTING POSITION IS CORRECT
BEFORE YOU INSERT CONNECTING BOLT
TURN CLOCKWISE UNTIL SECURE

CORRECT 	WRONG 	

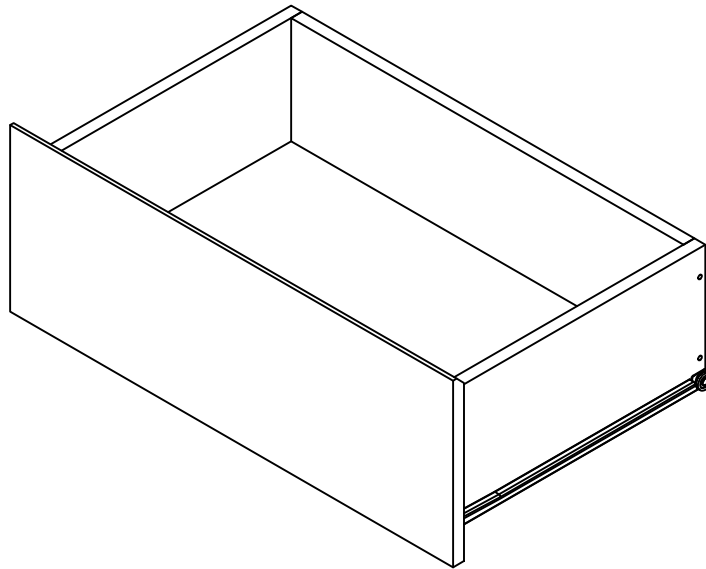


Step 21



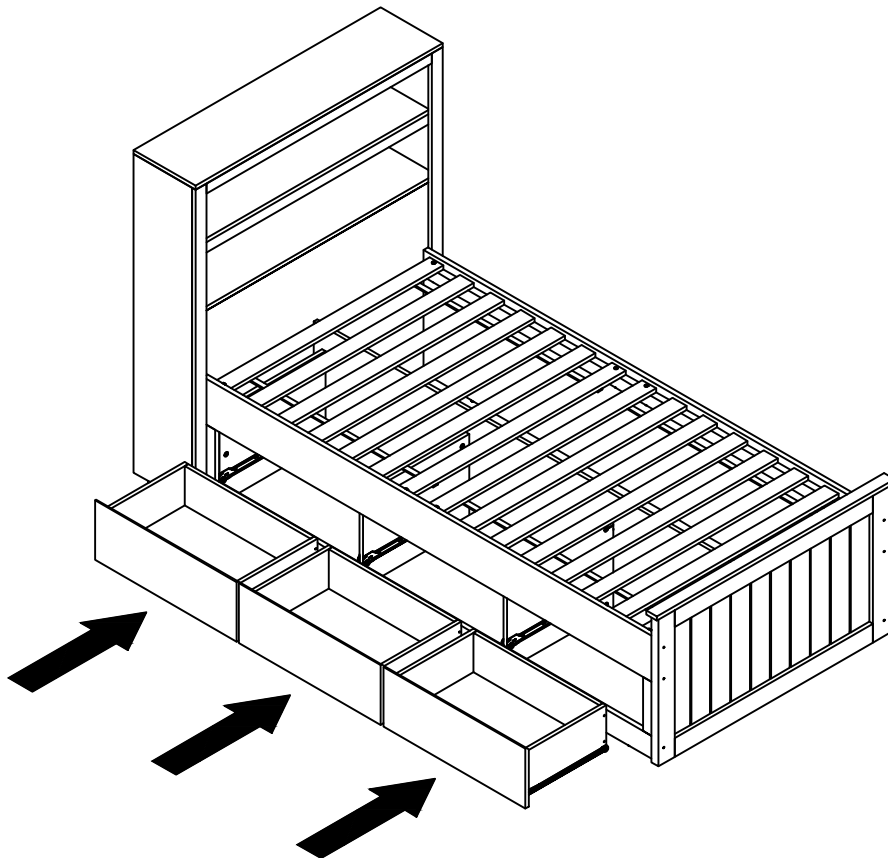
DO NOT USE POWER TOOLS AS THIS MAY DAMAGE THE FRAME AND WILL INVALIDATE ANY CLAIM. DO NOT USE POWER TOOLS

Step 22

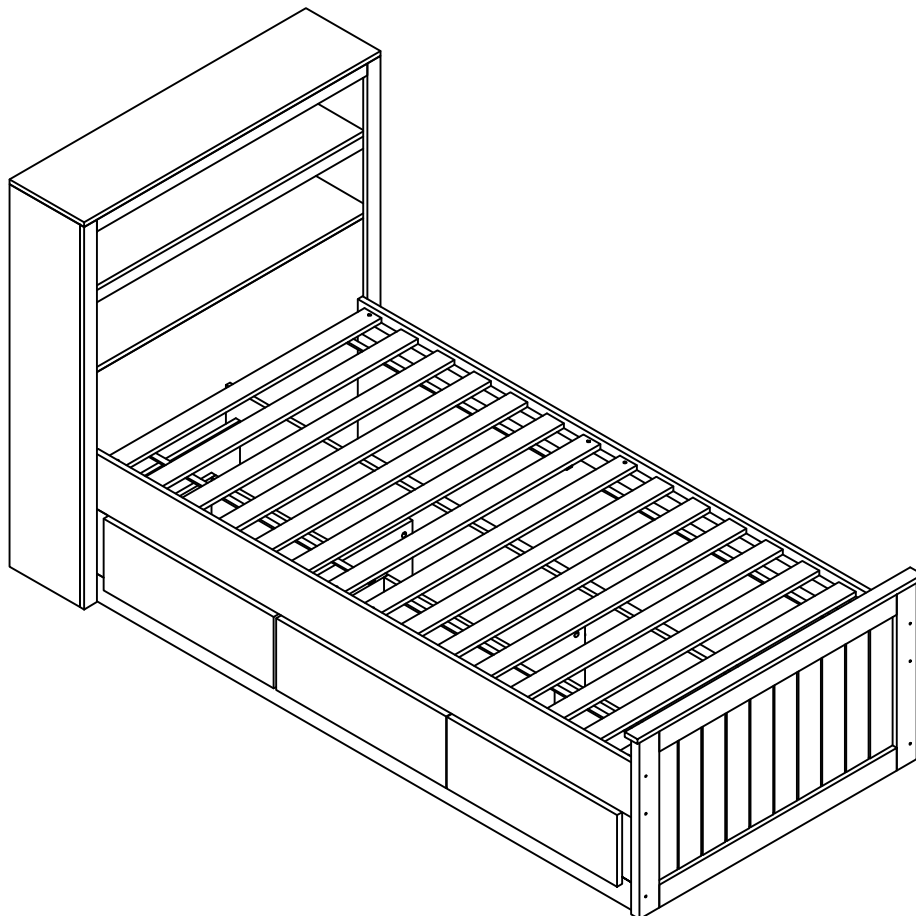
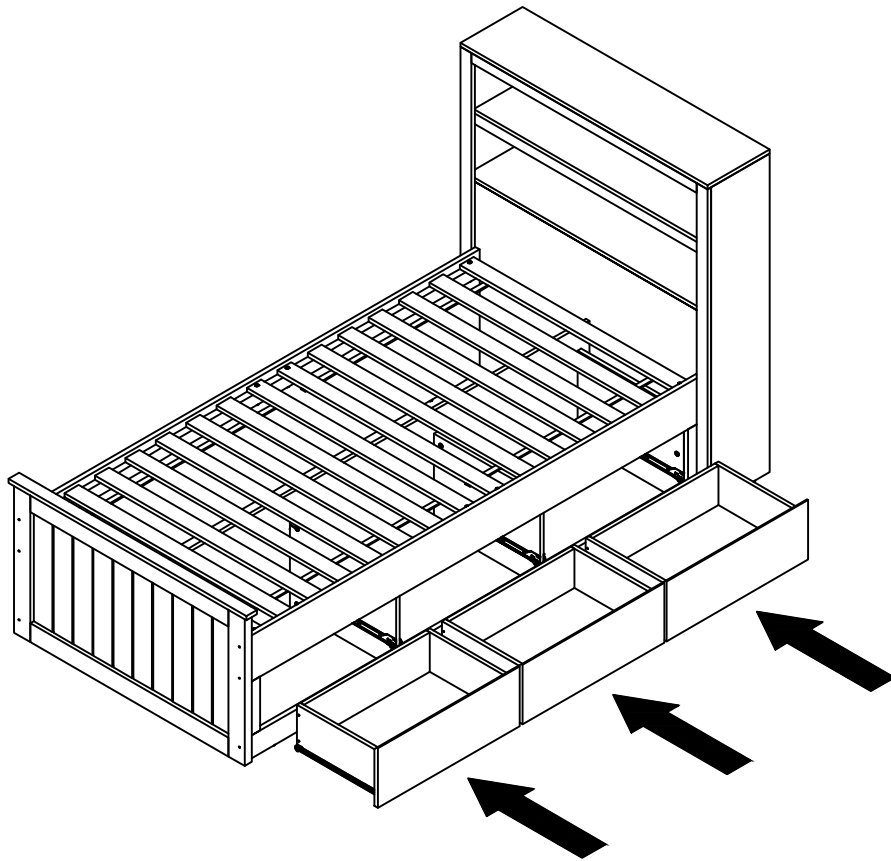


Drawer Assembly Completed

Step 23



Step 24



ENZO THREE DRAWERS STORAGE BED