

# Millie & Jones.

## Assembly Guide

### **Before Assembly**

- Check Parts - Unpack and ensure all parts are included and undamaged.
- Read Instructions - Review the guide fully before starting.
- Prepare the Space - Clear the area and assemble on a soft surface to prevent damage.
- Gather Tools - Use only the recommended tools.
- Get Help - Larger items may require two people.

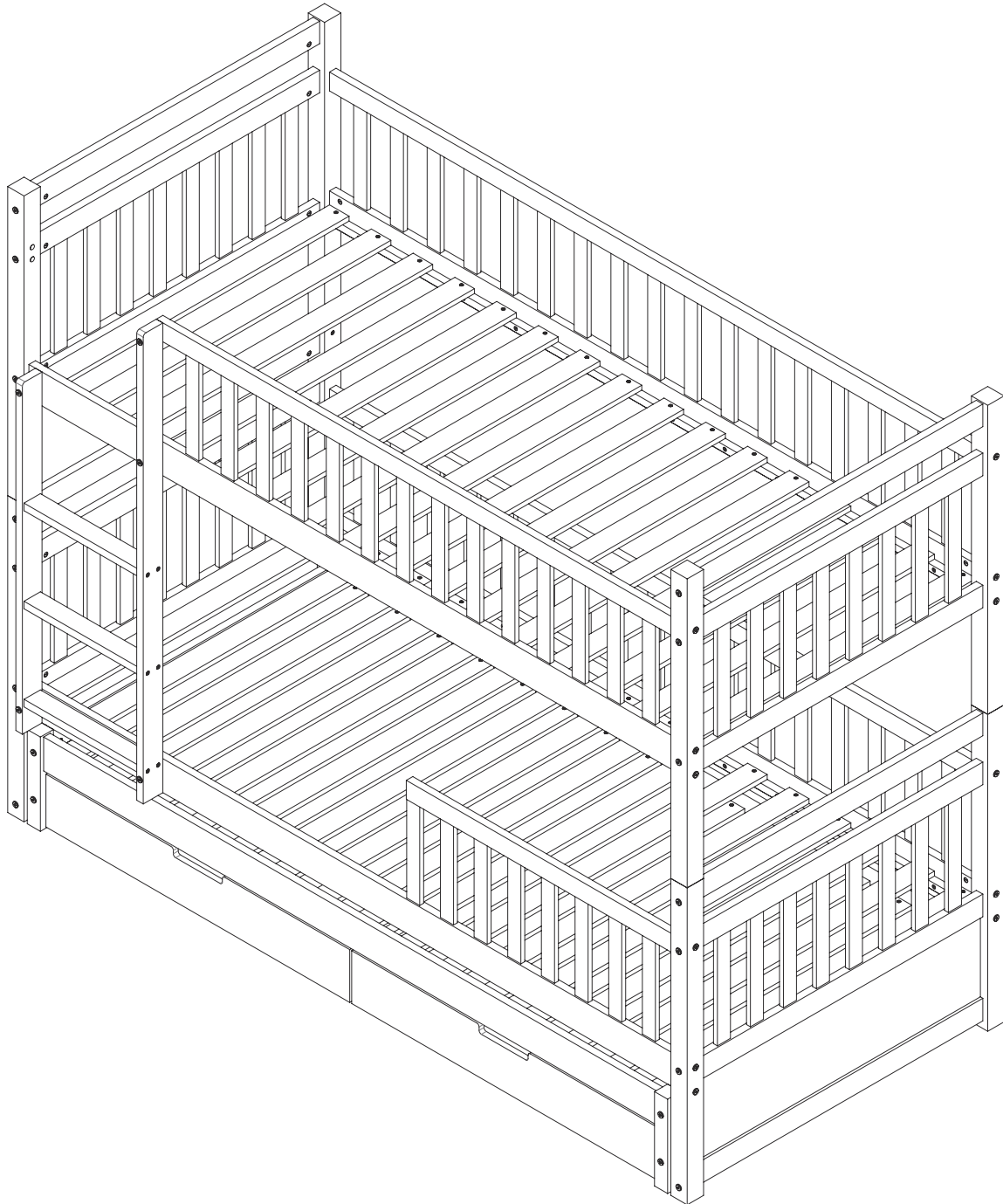
### **Health & Safety**

- Keep Kids & Pets Away - Ensure a safe workspace.
- Lift Safely - Avoid strain; lift with care or get assistance.
- Wear Protection - Gloves help prevent injuries.
- Secure Loose Clothing - Avoid anything that could get caught.
- Handle Small Parts Carefully - Keep screws and fittings away from children.
- Dispose of Packaging Safely - Recycle and keep plastic bags out of reach.

**IMPORTANT – READ CAREFULLY – RETAIN FOR FUTURE REFERENCE**

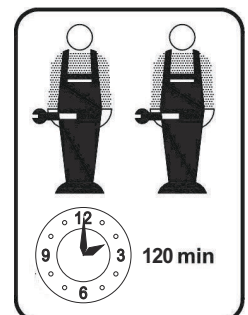
- A) **WARNING** – The upper bed of bunk beds are not suitable for children under six years old due to the risk of injury from falls.
- B) **WARNING** – Bunk beds can present a serious risk of injury from strangulation if not used correctly. Never attach or hang items to any part of the bunk bed that are not designed to be used with the bed, for example, but not limited to ropes, strings, cords, hooks, belts and bags.
- C) **WARNING** – children can become trapped between the bed and the wall, a roof pitch, the ceiling, adjoining pieces of furniture (e.g. cupboards) and the like. To avoid risk of serious injury the distance between the top safety barrier and the adjoining structure shall not exceed 75mm or shall be more than 230mm.
- D) **WARNING** – Do not use the bunk bed if any structural part is broken or missing.
- E) Always follow the manufacturer's instruction.
- F) Recommended size of mattress: upper bed: 90 x 190cm and lower bed: 90 x 190cm
- G) Maximum thickness of mattress 15cm.
- H) Periodically check and ensure that the guardrails, ladder, and other components are in their proper position, free from damage. Also, make sure the connectors are tight and secure.
- I) Ventilation of the room is necessary in order to keep the humidity low and to prevent mould in and around the bed
- J) This item meets the UK test standards

# Elvis Bunk Bed with Drawers & Trundle

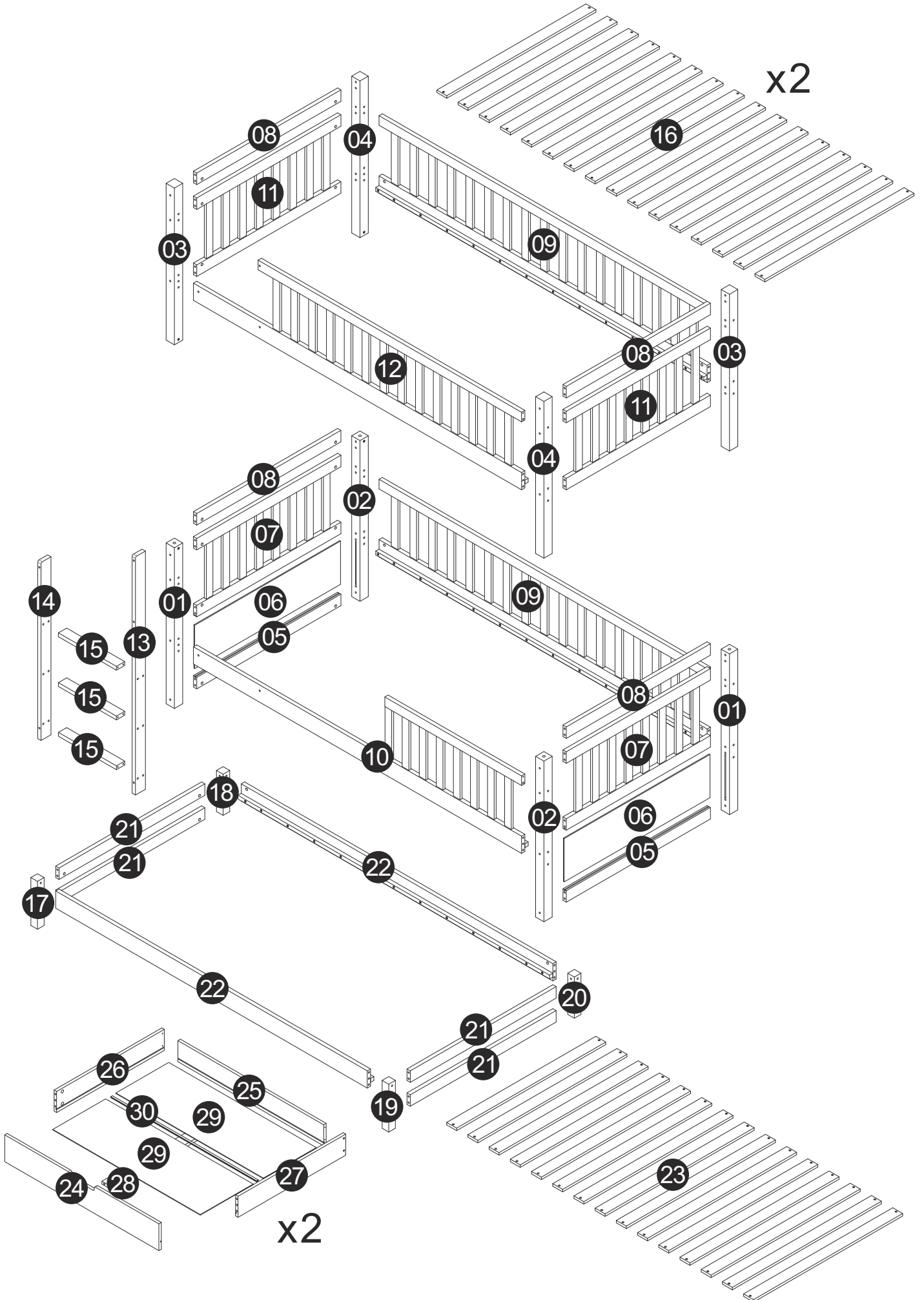


READ THE ASSEMBLY INSTRUCTIONS CAREFULLY. IDENTIFY THE ELEMENTS CONSTITUING YOUR PIECE OF FURNITURE. GROUP AND CHECK THE HARDWARE FITTINGS. GET THE TOOLS NEEDED. CLEAR SPACE TO WORK. PROCEED TO ASSEMBLE

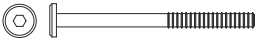

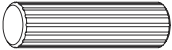
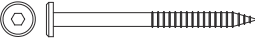

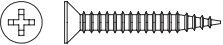


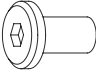
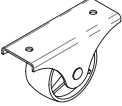


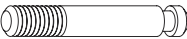



NEVER FORCE THE FITTINGS. TIGHTEN THE SCREW AFTER USING FOR SOMETIME. KEEP YOUR ASSEMBLY INSTRUCTIONS, IT COULD HELP FOR BETTER COMMUNICATION WITH YOUR STORE. IN THE EVENT OF QUERY.



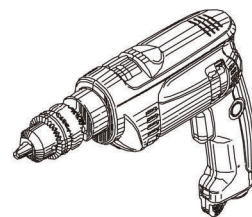
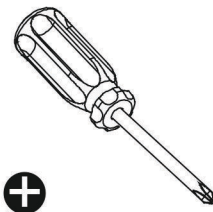
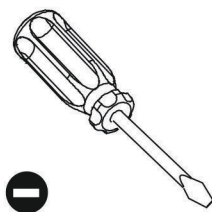
EXPLODED VIEW



**HARDWARE**

|   |   |   |   |   |
|---|---|---|---|---|
| <p>A x60</p>  <p>M6x90</p>    | <p>B x60</p>               | <p>C x62</p>  <p>Φ8x30</p> | <p>D x6</p>  <p>Φ6x90</p> | <p>E x4</p>  <p>Φ12x60</p> |
| <p>F x102</p>  <p>Φ4x30</p>  | <p>G x12</p>  <p>Φ7x60</p> | <p>H x5</p>  <p>M6x70</p>  | <p>J x5</p>              | <p>K x10</p>               |
| <p>L x20</p>  <p>Φ3.5x16</p> | <p>M x8</p>  <p>Φ4x40</p>  | <p>N x12</p>               | <p>P x12</p>             | <p>Q x2</p>                |
| <p>R x6</p>                 |   |   |   |   |

**TOOLS**



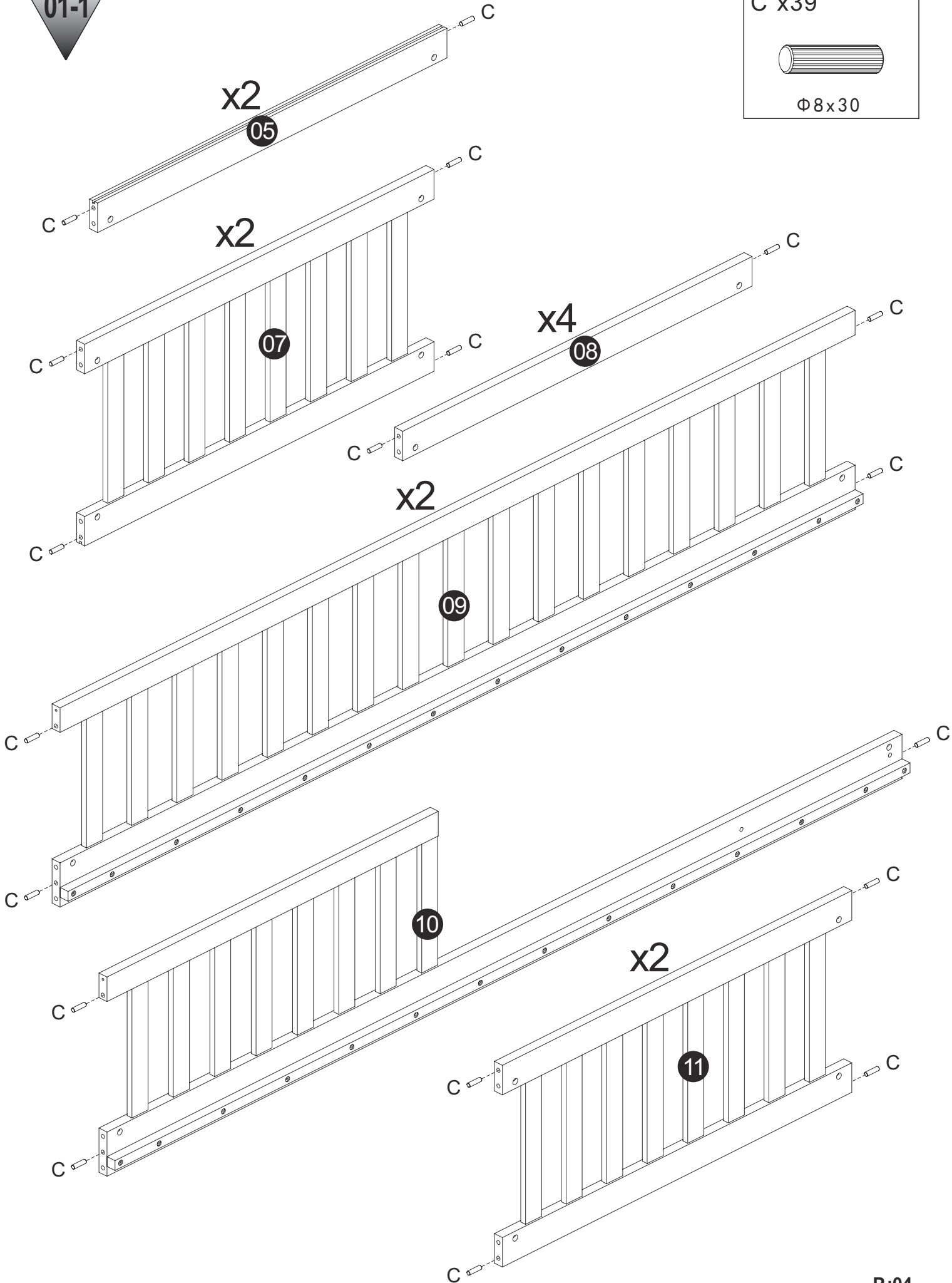
# Elvis Bunk Bed with Drawers & Trundle

01-1

C x39



Φ8x30

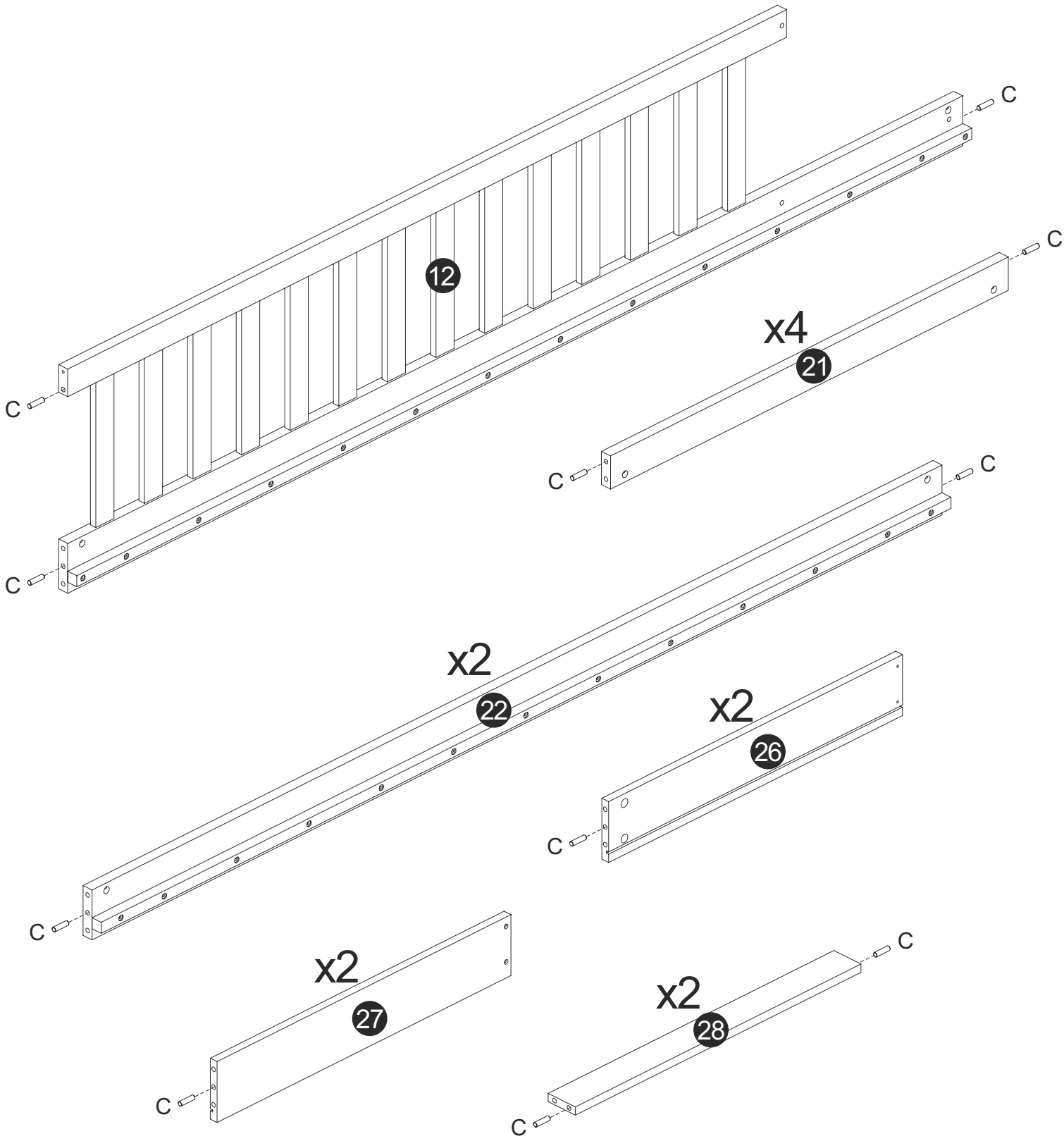


01-2

C x23

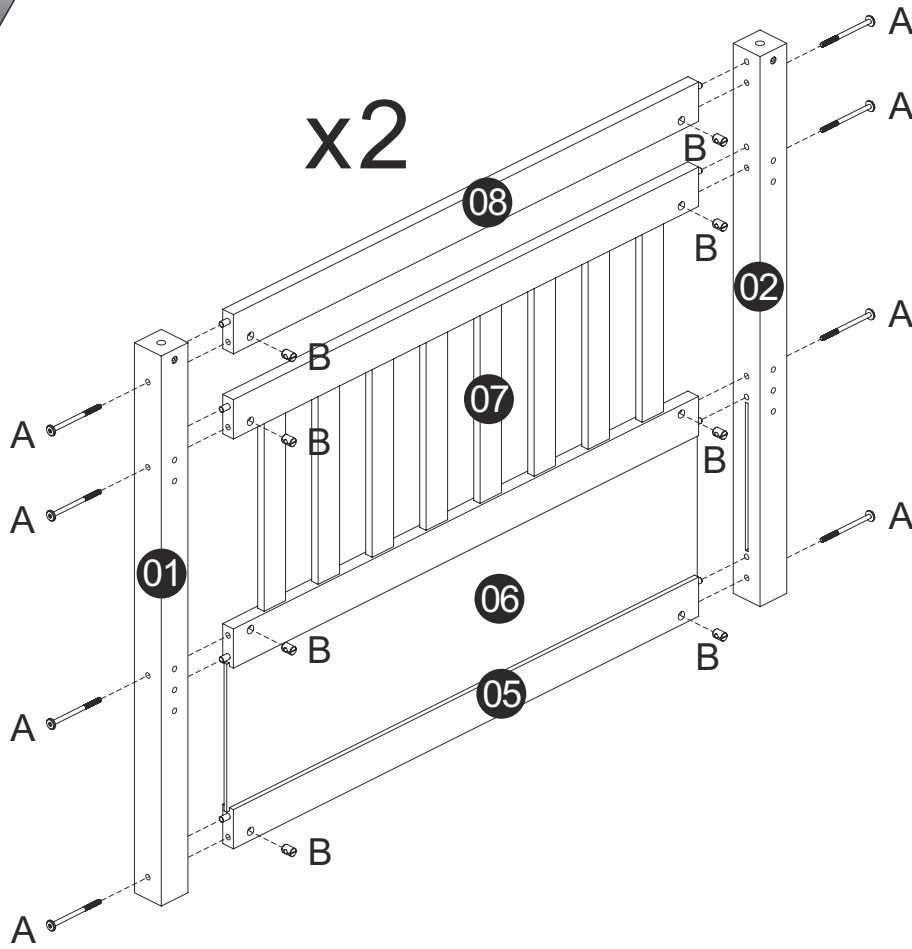


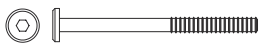
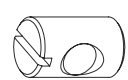
Φ8x30



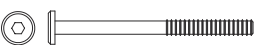
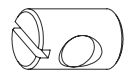

Elvis Bunk Bed with Drawers & Trundle

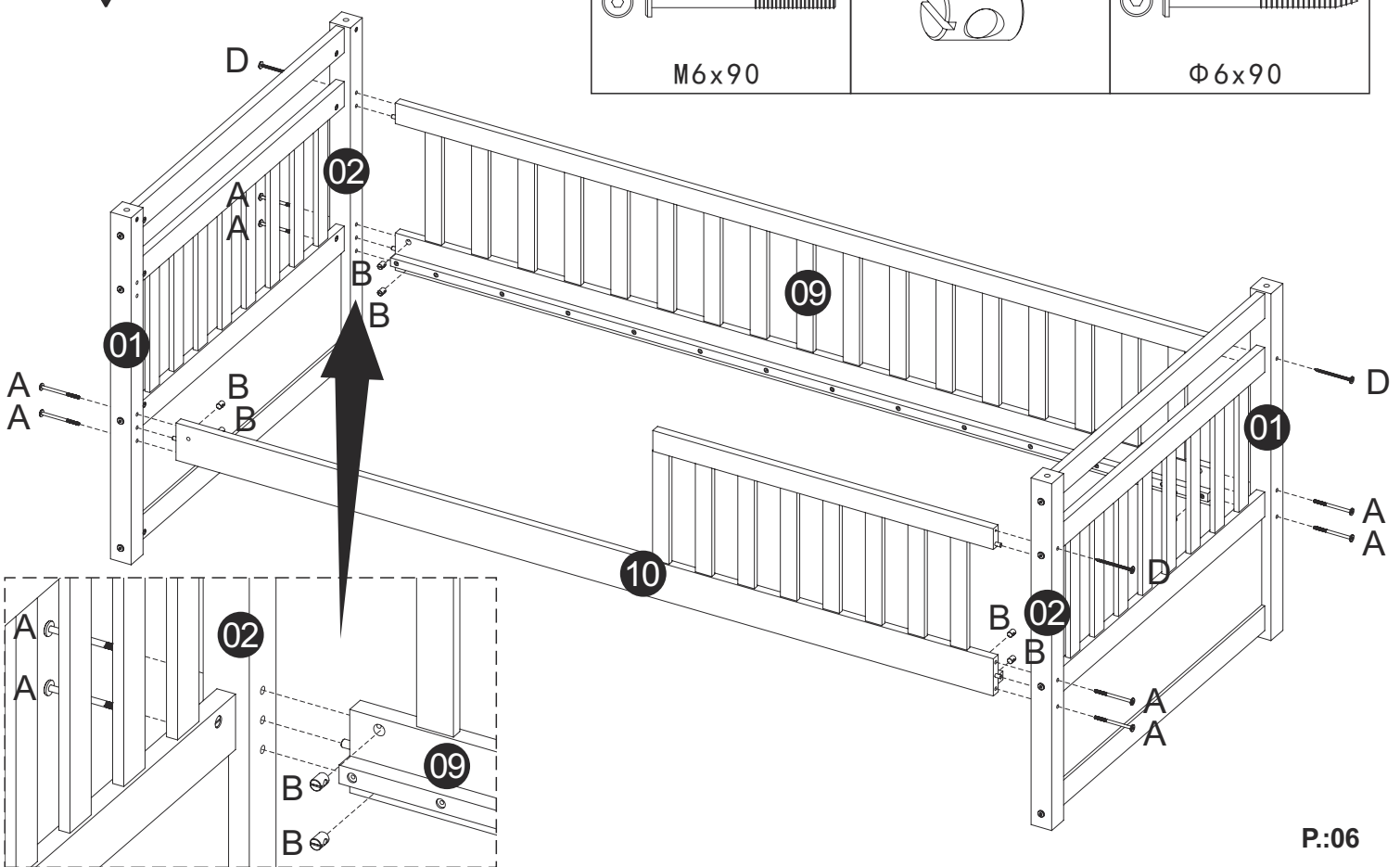
02



|   |
|---|
| A x16   |
|  |
| M6x90   |
| B x16   |
|  |

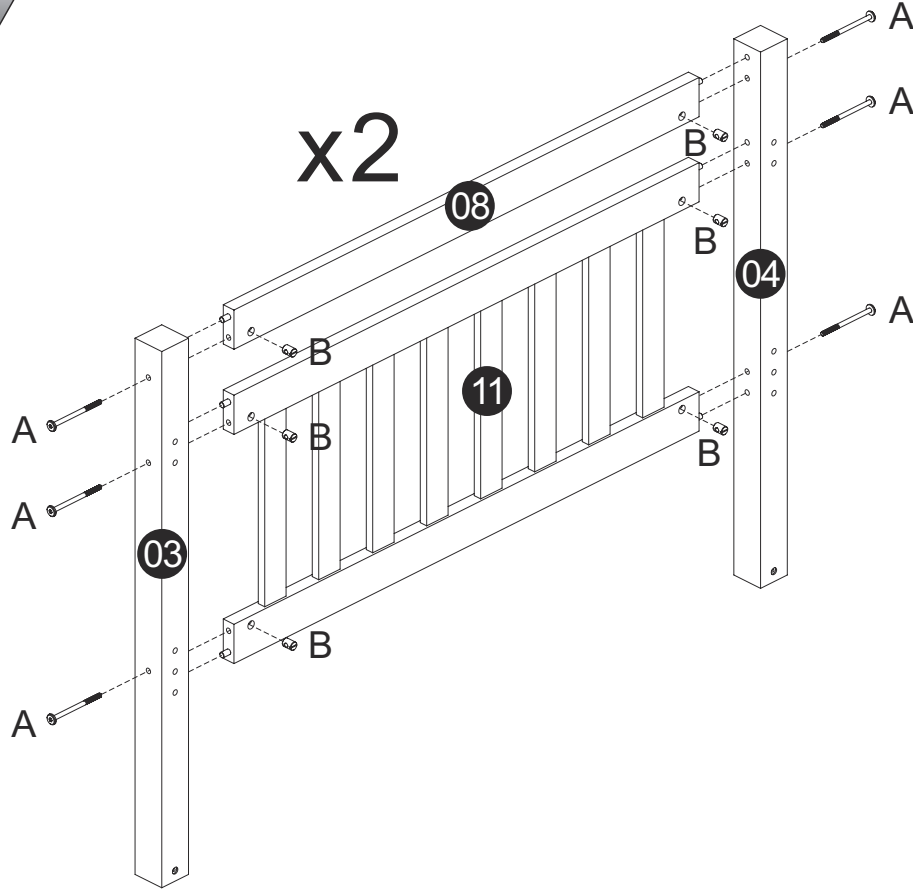
03

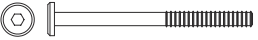

|   |   |   |
|---|---|---|
| A x8  | B x8  | D x3  |
|  |  |  |
| M6x90   |   | Φ6x90   |



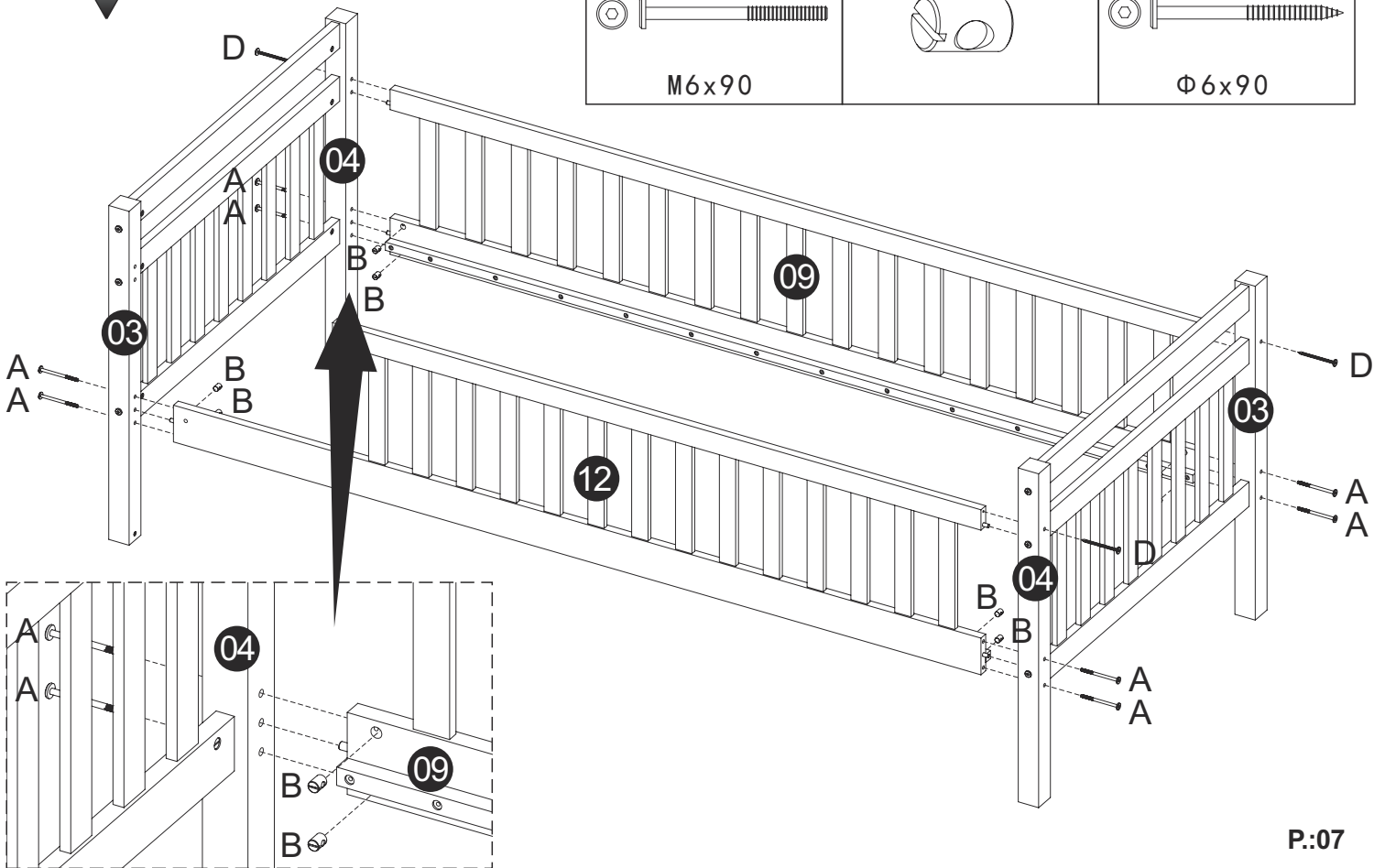




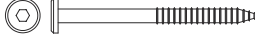
04



|   |
|---|
| A x12   |
|  |
| M6x90   |
| B x12   |
|  |

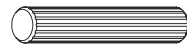
05



|   |   |   |
|---|---|---|
| A x8  | B x8  | D x3  |
|  |  |  |
| M6x90   |   | Φ6x90   |

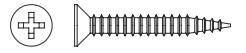
06

E x4

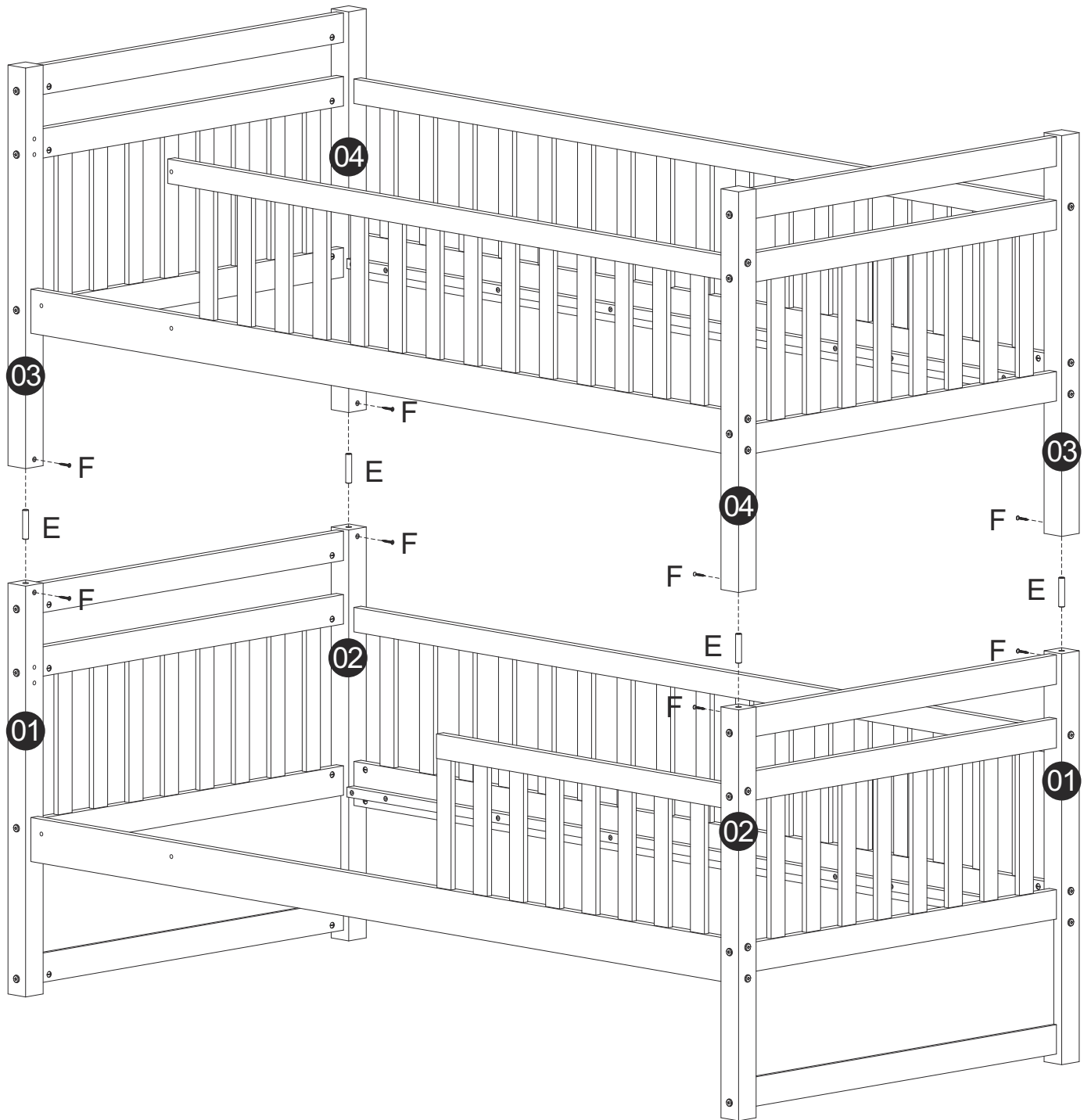


Φ 12x60

F x8

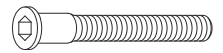


Φ 4x30

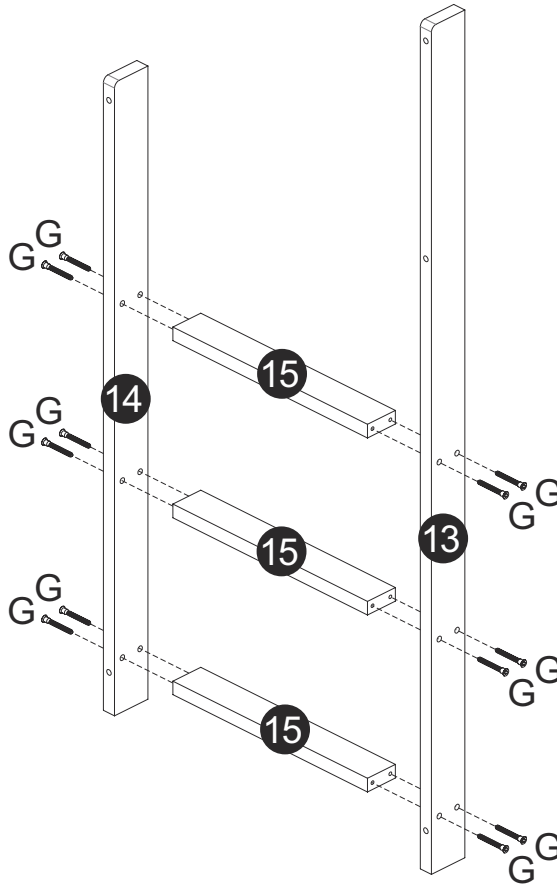


07

G x12

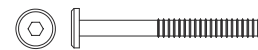


Φ7x60



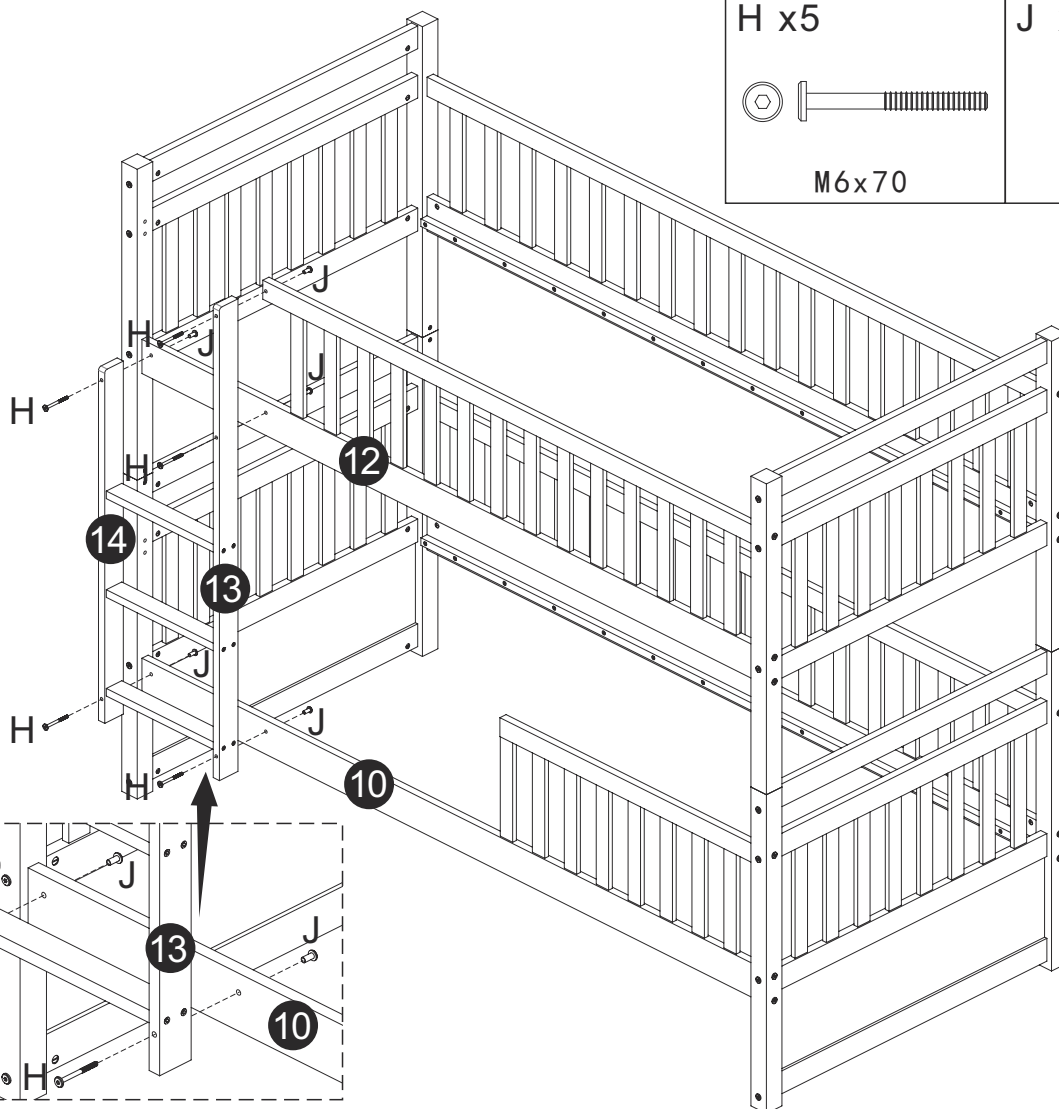
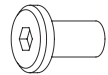
08

H x5



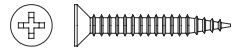
M6x70

J x5

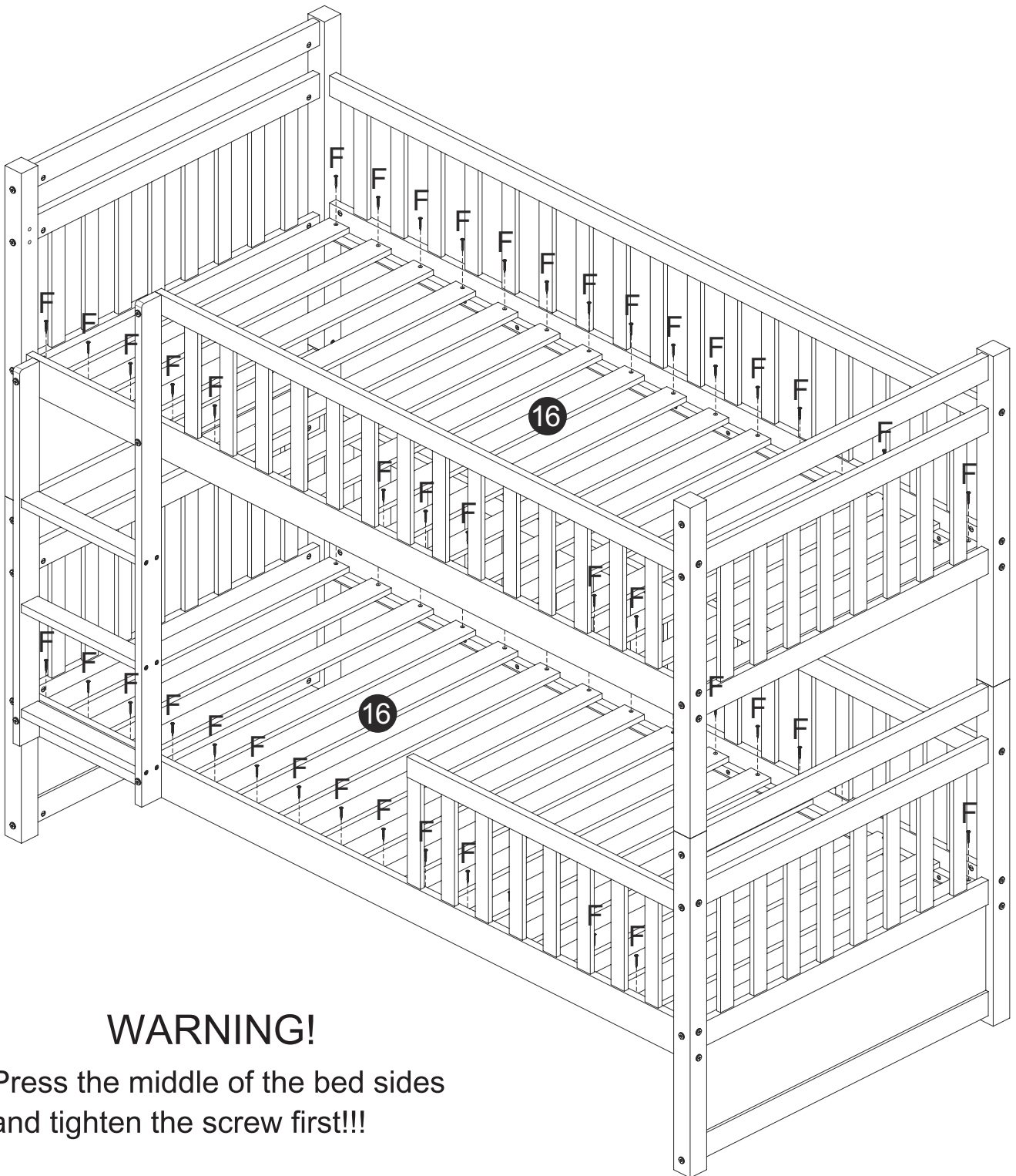


09

F x64



Φ4x30

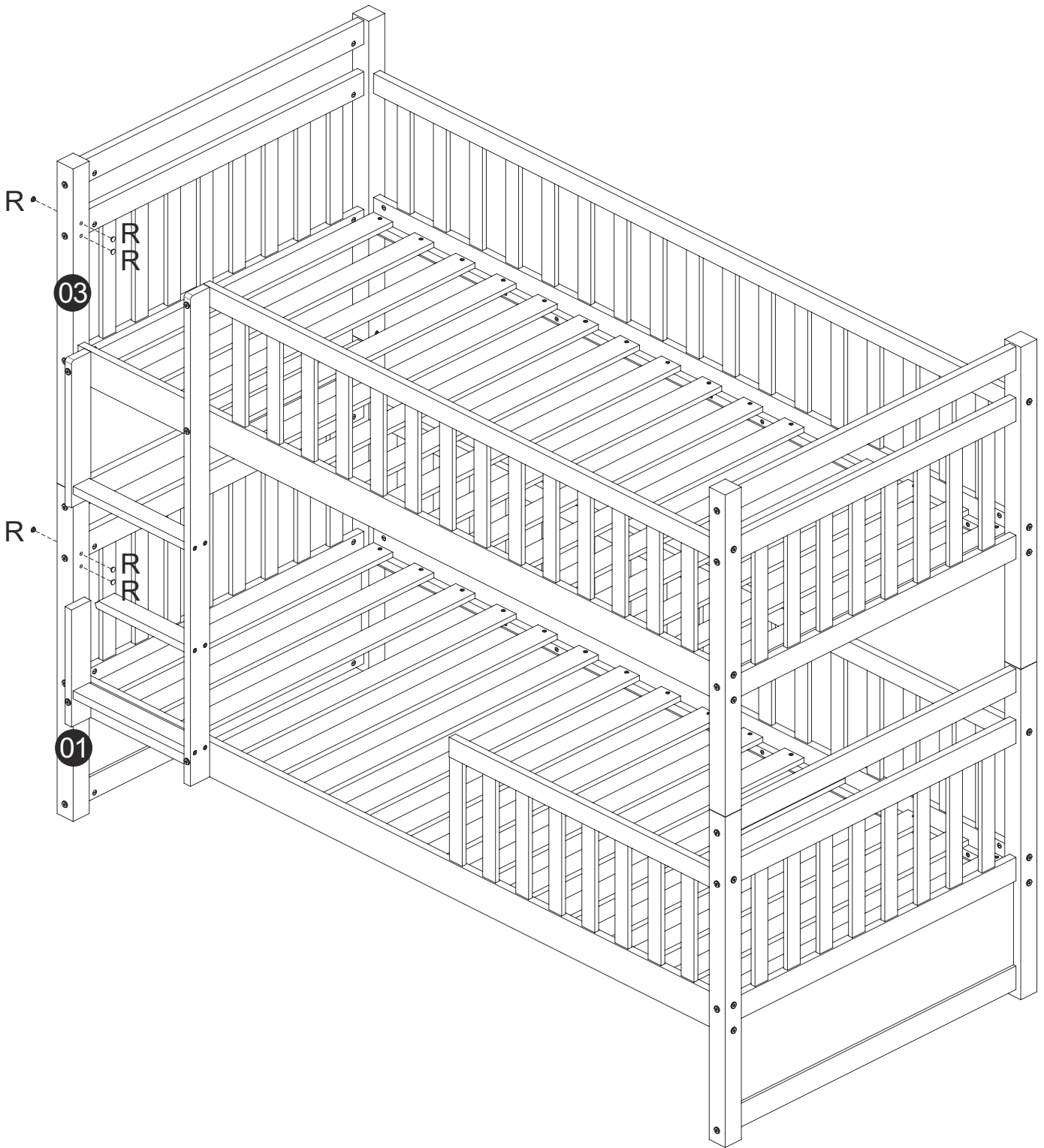


**WARNING!**

Press the middle of the bed sides  
and tighten the screw first!!!


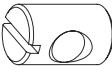
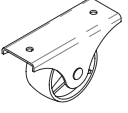
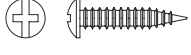
10

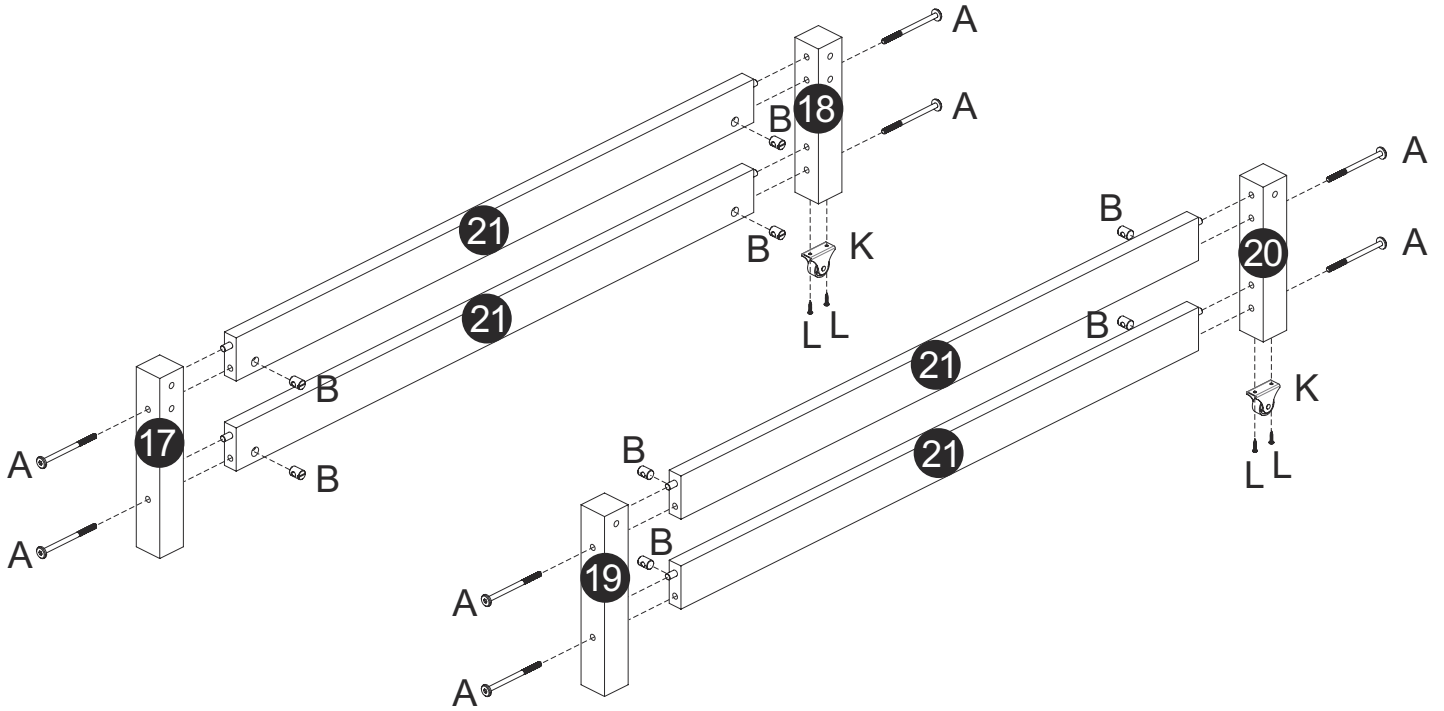
R x6



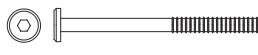
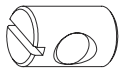
# Elvis Bunk Bed with Drawers & Trundle

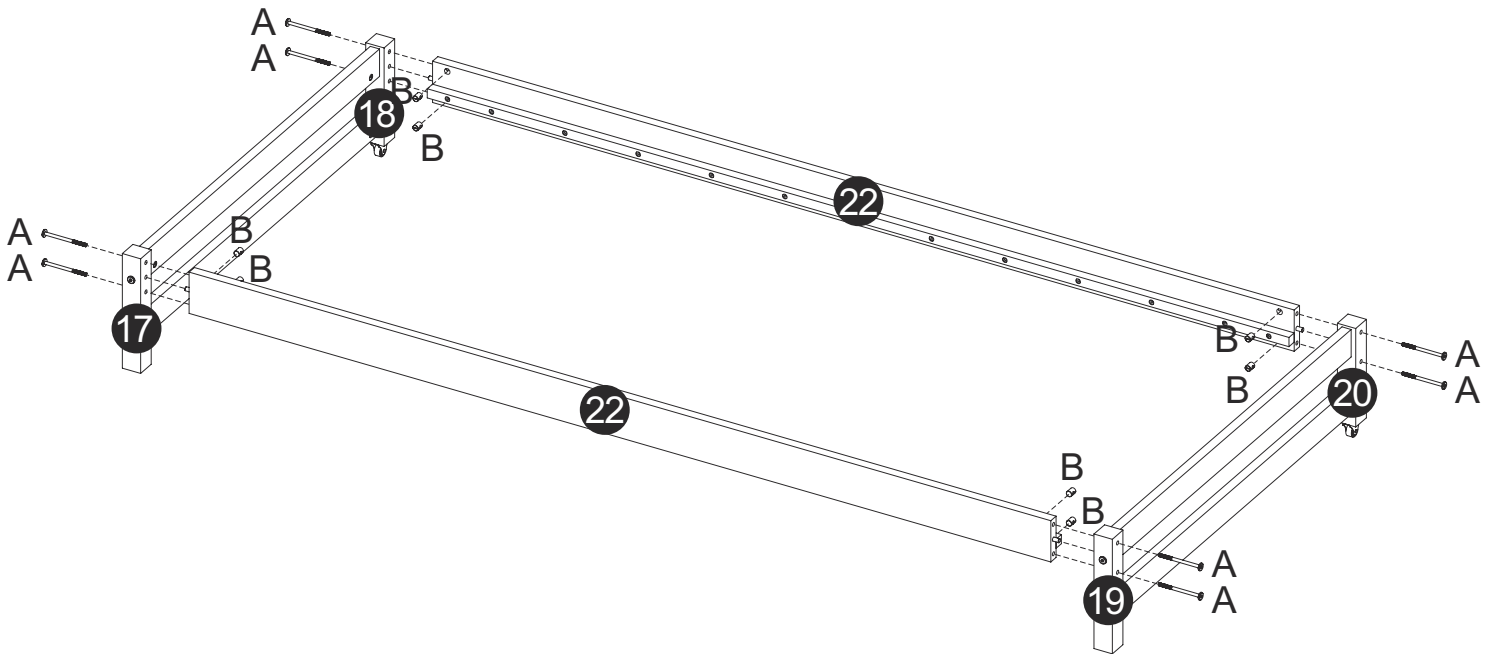
11

|  |   |   |  |
|--|---|---|--|
| <p>A x8</p>  <p>M6x90</p> | <p>B x8</p>  | <p>K x2</p>  | <p>L x4</p>  <p>Φ3.5x16</p> |
|--|---|---|--|



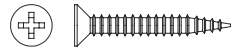
12

|   |   |
|---|---|
| <p>A x8</p>  <p>M6x90</p> | <p>B x8</p>  |
|---|---|

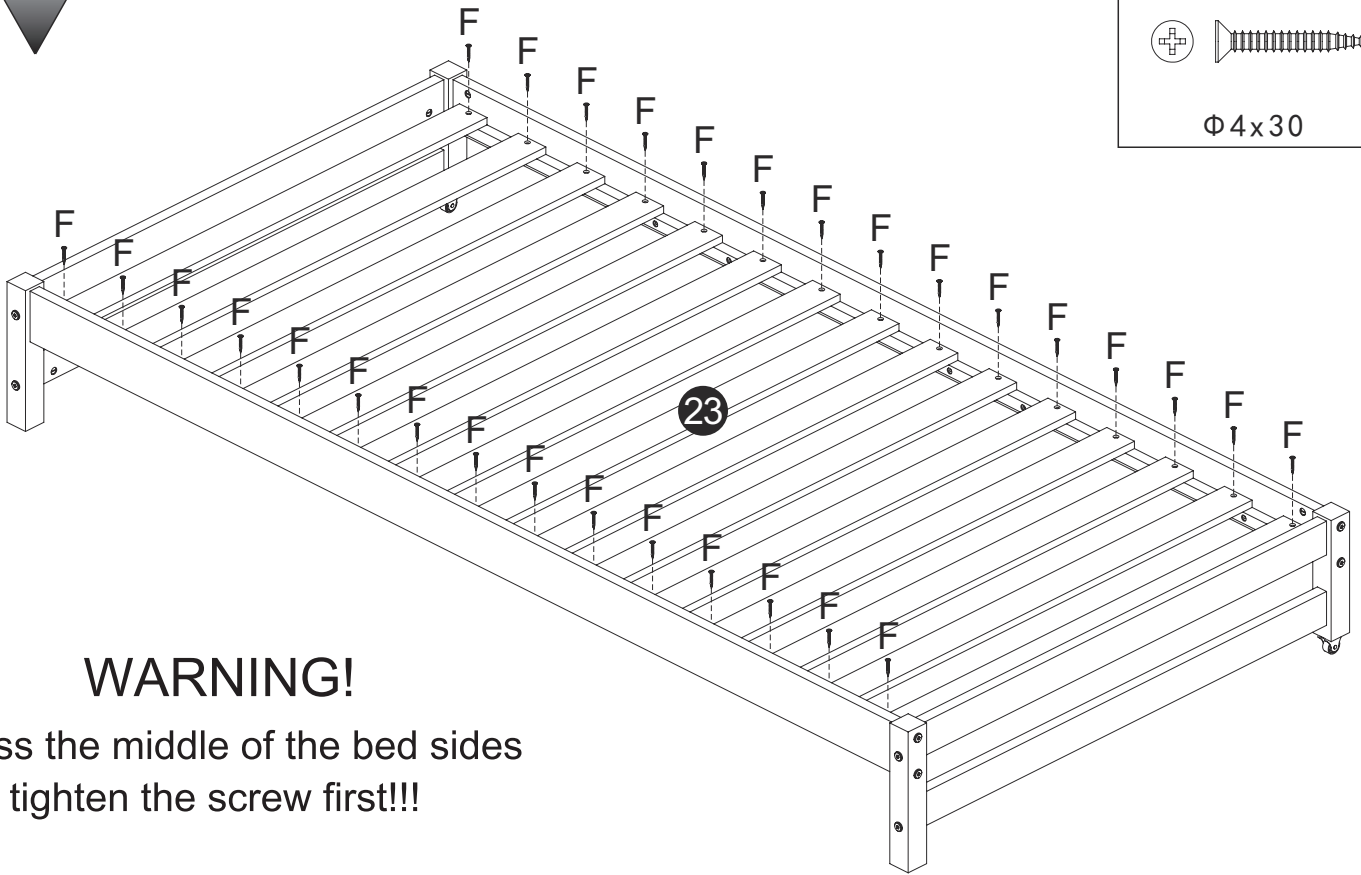


13

F x30



Φ4x30

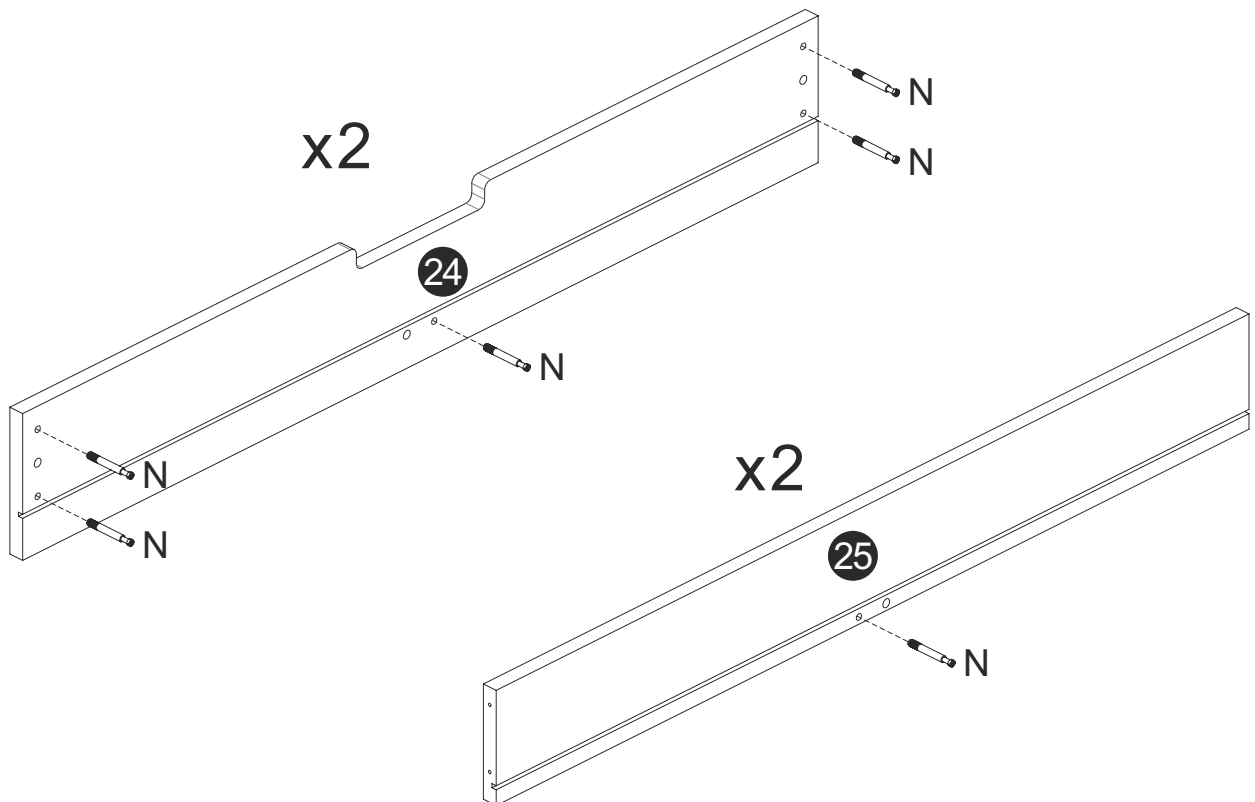


**WARNING!**

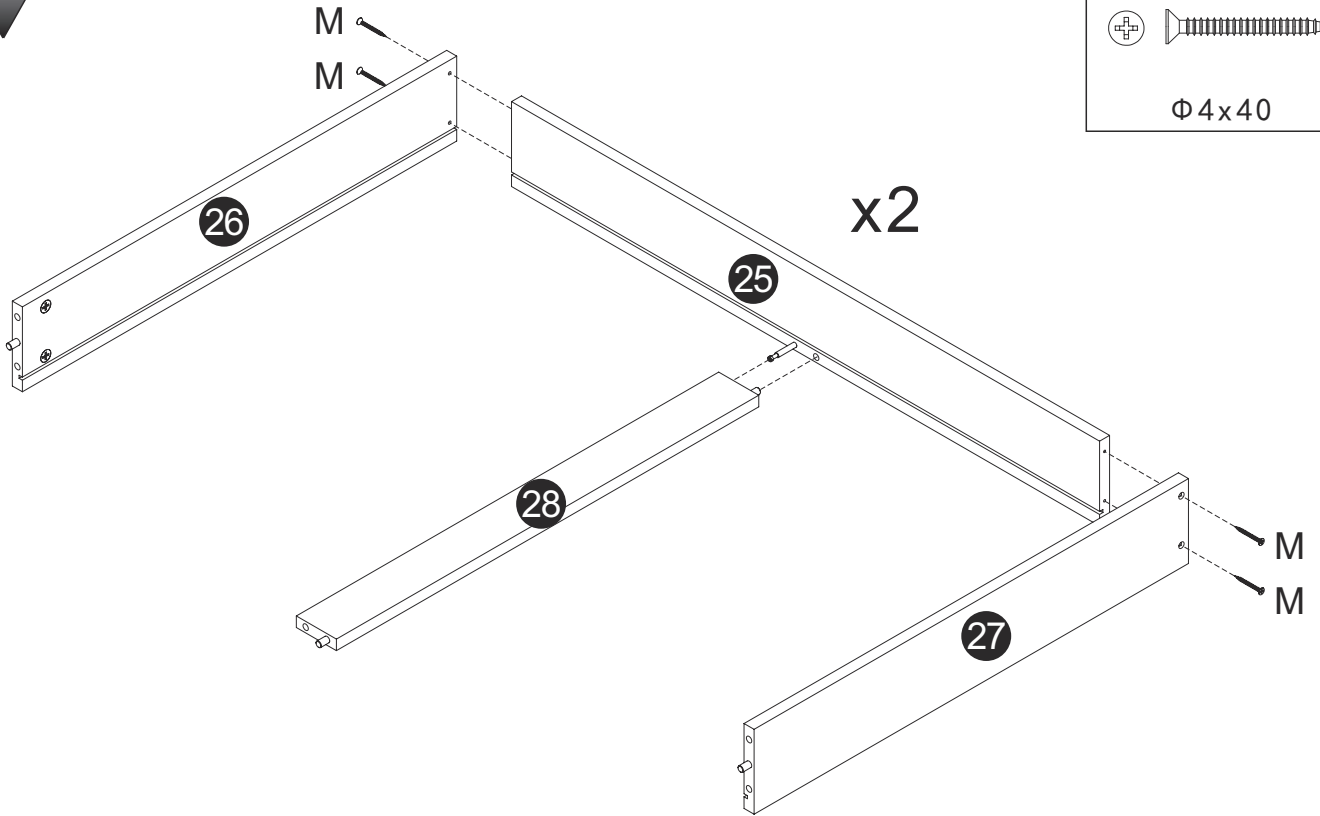
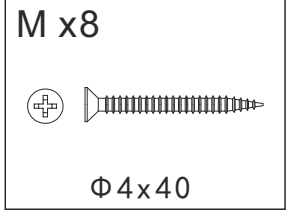
Press the middle of the bed sides  
and tighten the screw first!!!

14

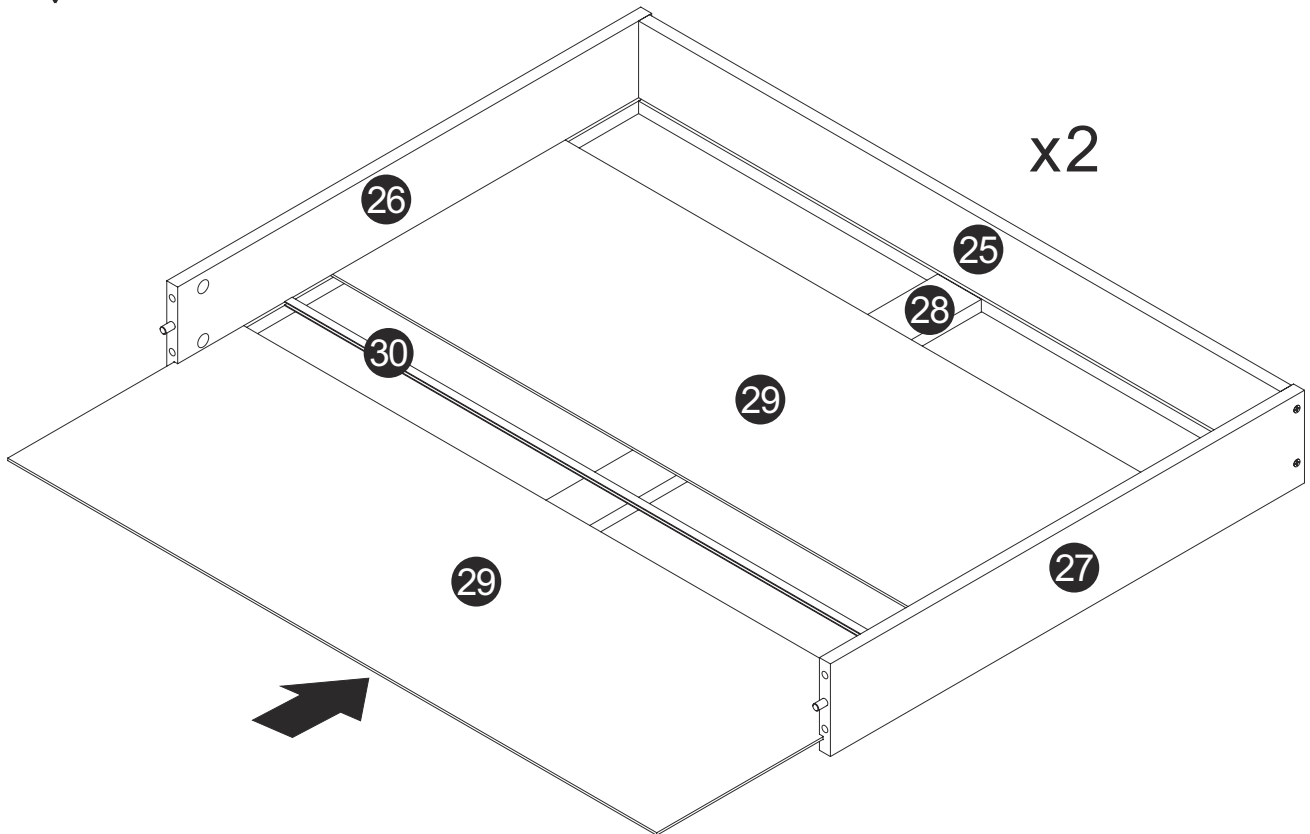
N x12



15



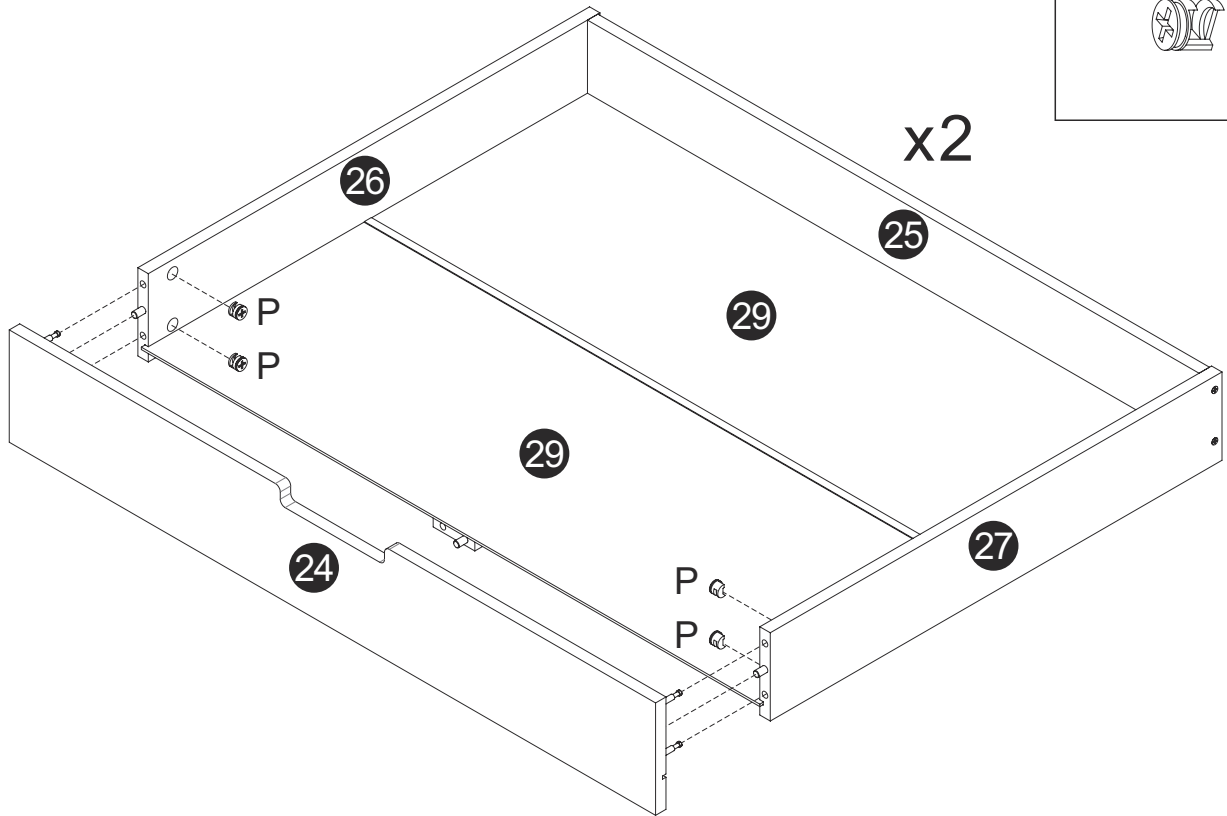
16





17

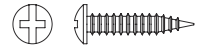
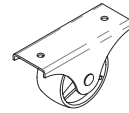
P x8



18

K x8

L x16



Φ3.5x16

P x4

