

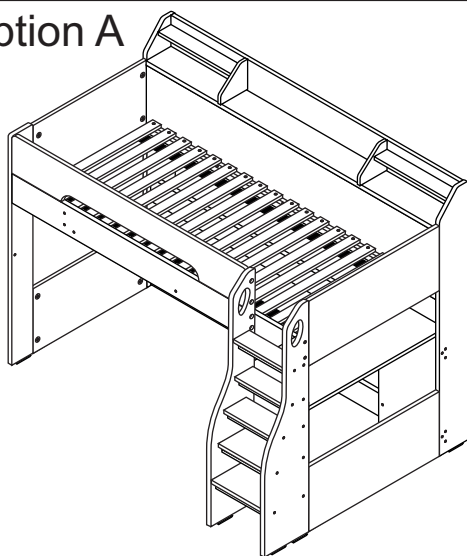
ASSEMBLY INSTRUCTIONS

1
24

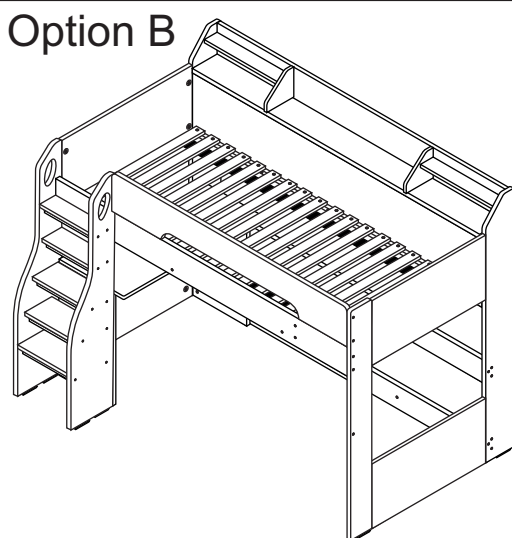
MODEL : CK 6272
PRODUCT SIZE : 920mm x 1930mm

Thank you for purchasing this product. Before starting assembly we suggest you spend a short time reading through this leaflet, then follow the simple step by step guide.
Two persons are needed to assemble this product.

Option A



Option B



* Approximately 2 Hours



* 2 People Required

* **WARNING** : Top Bunks and elevated Beds are dangerous and are not recommended for children under the age of 6.

The upper bunk must be more than 2 m from any ceiling fan.

IMPORTANT INFORMATION

1. This bunk bed is suitable for a single mattress or foam bed 920mm x 1870mm. Thickness of mattress should not exceed 200mm.
2. Children should be discouraged from playing on this bunk bed.
3. The bunk bed should be checked periodically by the owner to ensure that the guardrail, ladder and other components are maintained in the correct position and state of repair and that all connectors are tight.
4. A bunk bed is not to be placed near a ceiling fan unless the distance between the closest points on the ceiling fan and bunk bed is at least 2 metres.
5. Use guardrails on both sides of upper bunk.
6. Prohibit horseplay on or under bed(s).
7. Prohibit more than one person on upper bunk.
8. Use ladder for entering and leaving upper bunk.
9. If the bunk bed will be placed next to the wall, the guardrail that runs the full length of the bed should be placed against the wall to prevent entrapment between the bed and the wall.
10. Fall from elevated beds can be fatal and death have occurred where children have fallen from elevated beds. This is relevant for all ages. The risk is greater for younger children.

The risk of injury or death from a fall from an elevated bed compared to a non elevated bed is :

10 x greater for 7-8 year olds

7 x greater for 9-10 year olds

3 x greater for 11-12 year olds

11. Top Bunks and elevated Beds are dangerous and are not recommended for children under the age of 6.

STRANGULATION HAZARD:

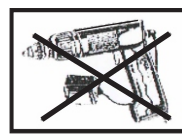
12. Never attach or hang items to any part of the bunk bed that are not designed for use with the bed for example, but not limited to hook, belt, and jump ropes.

Tools Required For Assembly



Phillips Screw Driver

Tools Not Use



DO NOT USE POWER TOOLS TO ASSEMBLE THIS PRODUCT. USE OF POWER TOOLS WILL INVALIDATE ANY CLAIM AND MAY DAMAGE THIS PRODUCT MAKING IT UNSAFE.



DO NOT USE HAMMER

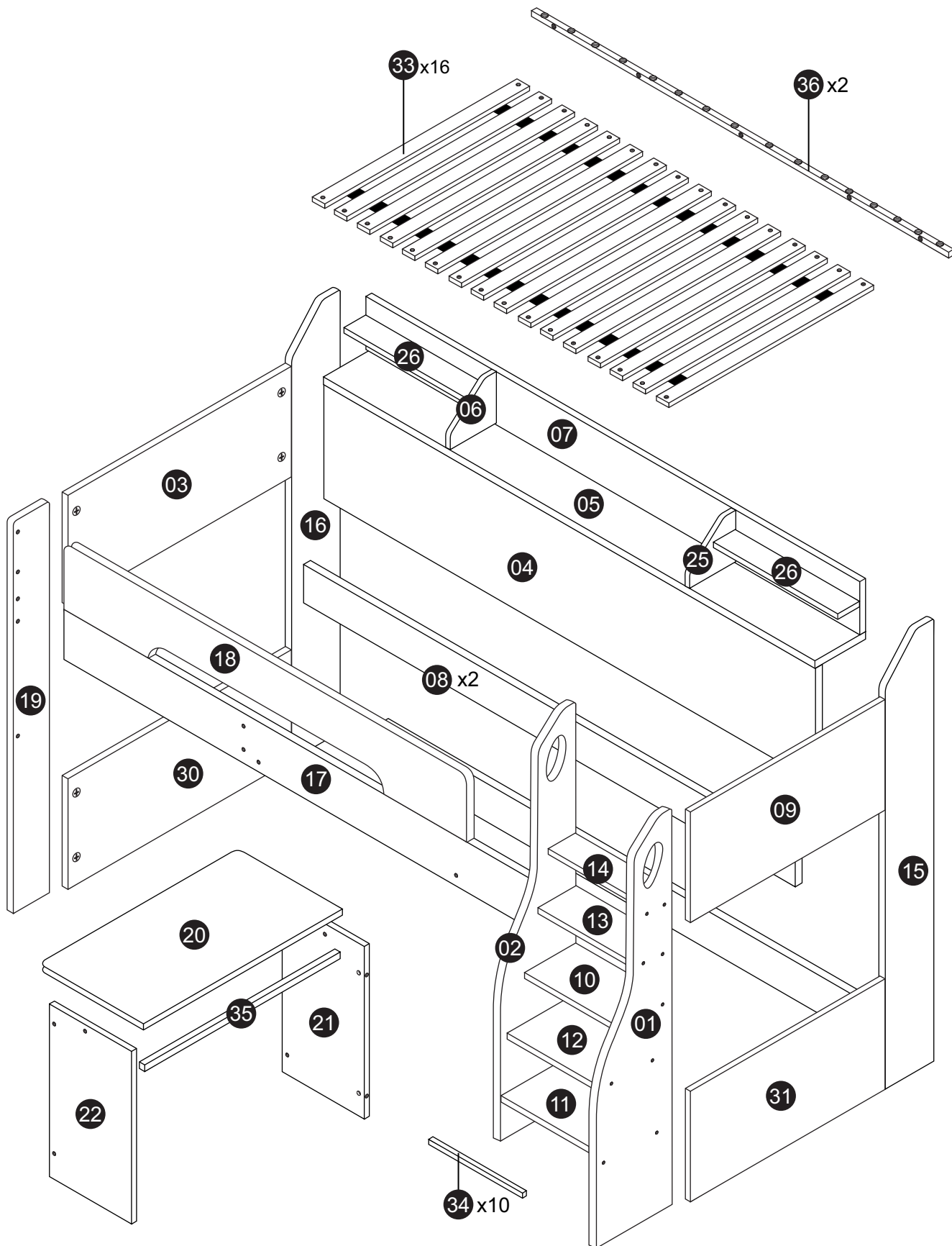
PARTS LIST

Model: CK 6272

Carton 1 of 3			Carton 3 of 3		
No.	Part Name	Pcs			
			③	CENTER PANEL UPPER (LEFT)	1
①	RIGHT PANEL (LADDER)	1	⑨	CENTER PANEL UPPER (RIGHT)	1
②	LEFT PANEL (LADDER)	1	⑳	TOP PANEL (DESK)	1
⑧	BACK PANEL	2	㉑	RIGHT PANEL (DESK)	1
⑩	3 RD STEP (LADDER)	1	㉒	LEFT PANEL (DESK)	1
⑪	1 ST STEP (LADDER)	1	㉓	CENTER PANEL LOWER (LEFT)	1
⑫	2 ND STEP (LADDER)	1	㉔	CENTER PANEL LOWER (RIGHT)	1
⑬	4 TH STEP (LADDER)	1	㉕	LVL BASE	16
⑭	5 TH STEP (LADDER)	1			
⑳	LADDER SUPPORT METAL	10			
㉖	BASE SUPPORT METAL	2			
FITTING LIST					
Carton 2 of 3					
④	SUPPORT PANEL UPPER	1			
⑤	BOTTOM PANEL (OPEN SHELF)	1			
⑥	SUPPORT PANEL SMALL LEFT (OPEN SHELF)	1			
⑦	BACK PANEL (OPEN SHELF)	1			
⑮	RIGHT PANEL (BACK)	1			
⑯	LEFT PANEL (BACK)	1			
⑰	SIDE PANEL LONG (TOP FRONT)	1			
⑱	SIDE PANEL SHORT (TOP FRONT)	1			
㉑	LEFT PANEL (FRONT)	1			
㉔	SUPPORT PANEL SMALL RIGHT (OPEN SHELF)	1			
㉕	CENTER PANEL (OPEN SHELF)	2			
㉖	METAL SUPPORT (DESK)	1			

PARTS LIST










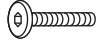

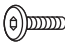







Model: CK 6272



FITTING LIST

Cosmic Frame: CK 6272

Fitting List

No.	Part Name	PCs
(A)	Cam Stud (5137) 	33
(B)	Cam 	33
(C)	M8 x 25mm Wood Dowel 	50
(D)	M6 x 40mm Wood Dowel 	6
(E)	M6 x 13mm Baller 	24
(F)	M6 JCN Nut 	5
(G)	M6 x 60mm Allen Bolt 	12
(H)	M6 x 50mm Allen Bolt 	14
(I)	M6 x 40mm Allen Bolt 	20
(J)	M6 x 35mm Allen Bolt 	10
(K)	M6 x 30mm Allen Bolt 	52
(L)	M6 x 25mm Allen Bolt 	2
(M)	M6 x 12mm Allen Bolt 	8
(N)	45mm Chipboard Screw 	12
(P)	Metal Support Plate (White) 	2
(Q)	Sticker (White 13mm) 	6
(R)	14mm Chipboard Screw 	16
(S)	PVC L Bracket (White Colour) 	4
(T)	M6 Allen Wrech 	2

CAUTION

There are many small components used in the construction of this unit. These loose items should be kept away from young children whilst assembling your unit. As an extra precaution, screw cover caps should be permanently fixed in position. (Where applicable)

USEFUL HINTS & TIPS

Two people will be required to assemble this unit

Please keep this assembly instruction for future reference




GUIDE TO ASSEMBLY

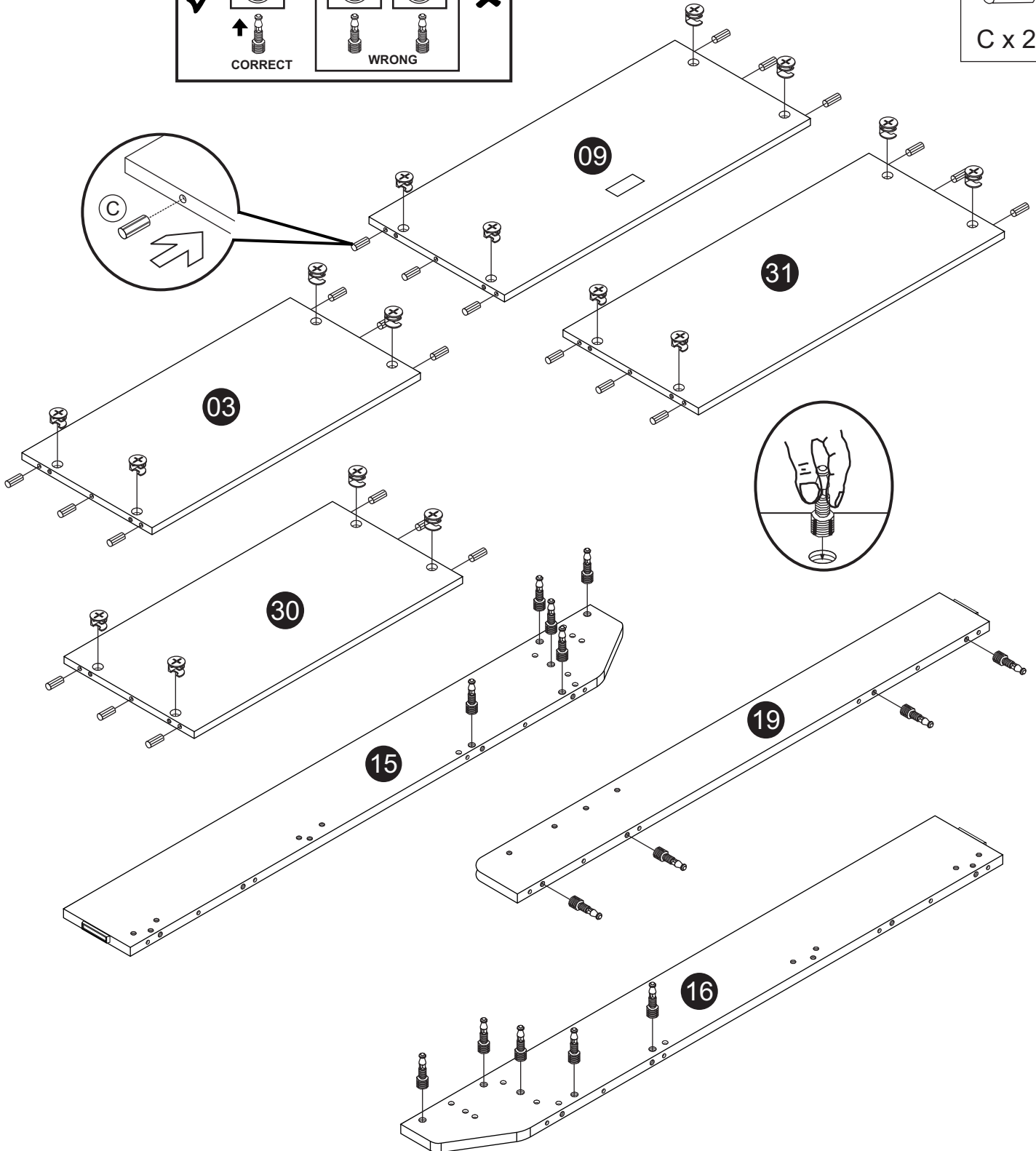
Model: CK 6272

STEP 1

WHEN FITTING CAMS
ENSURE STARTING POSITION IS CORRECT
BEFORE YOU INSERT CONNECTING BOLT
TURN CLOCKWISE UNTIL SECURE

CORRECT **WRONG**





 B x 16	 A x 14
 C x 24	

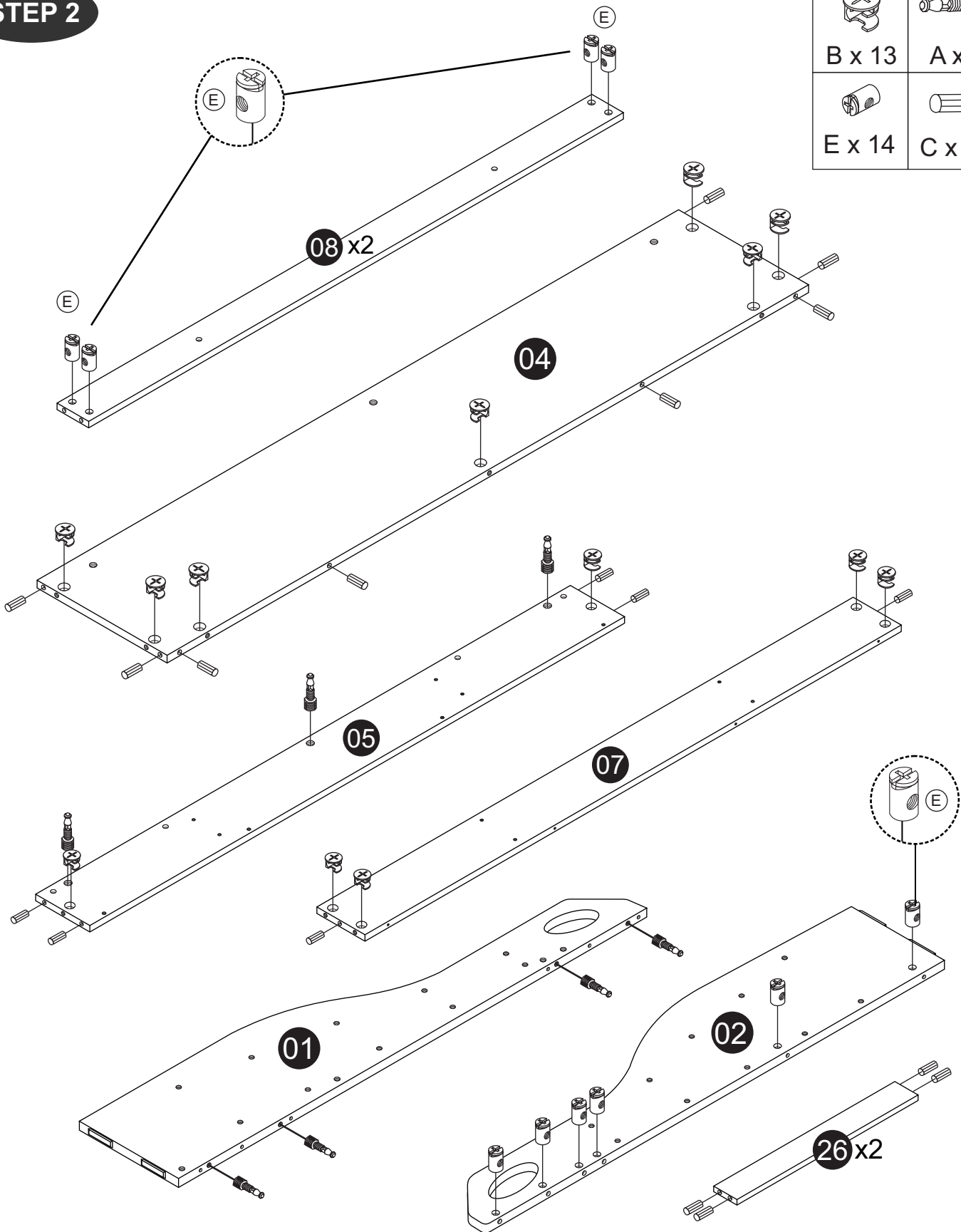


GUIDE TO ASSEMBLY

Model: CK 6272

STEP 2

 B x 13	 A x 7
 E x 14	 C x 22



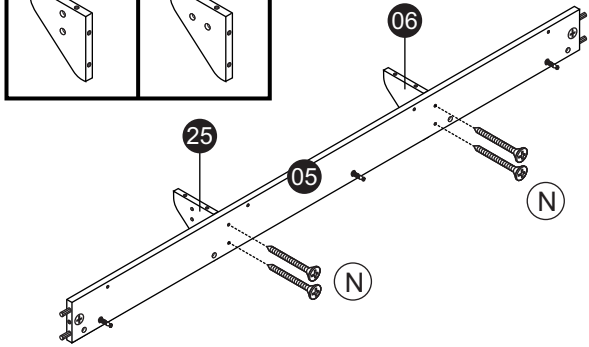
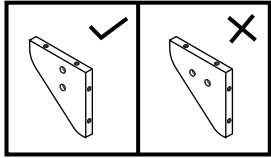
GUIDE TO ASSEMBLY

Model: CK 6272

STEP 3



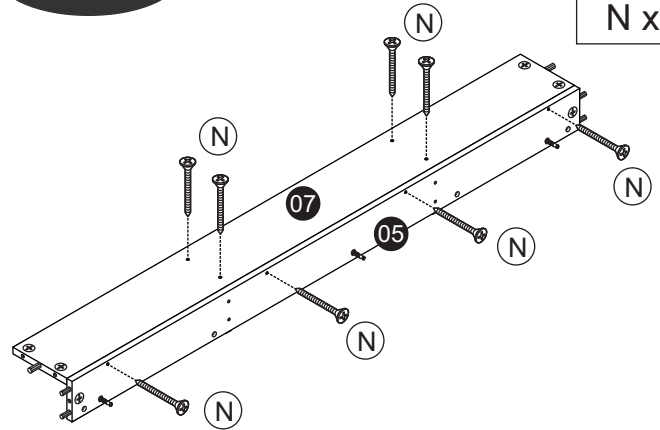
N x 4



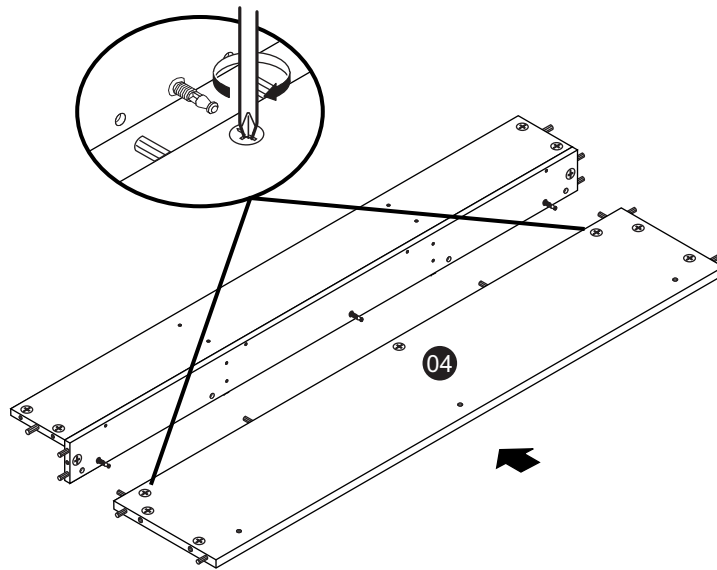
STEP 4



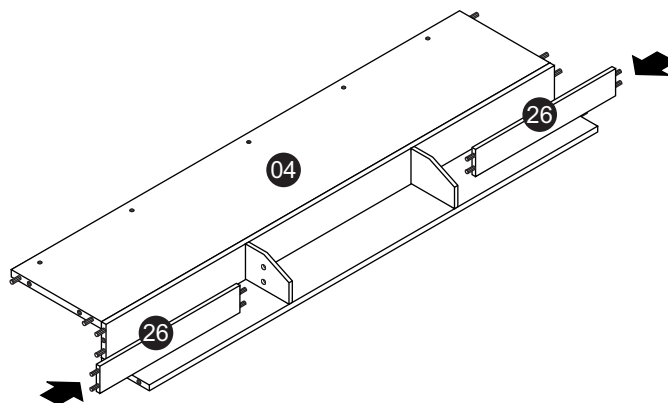
N x 8



STEP 5



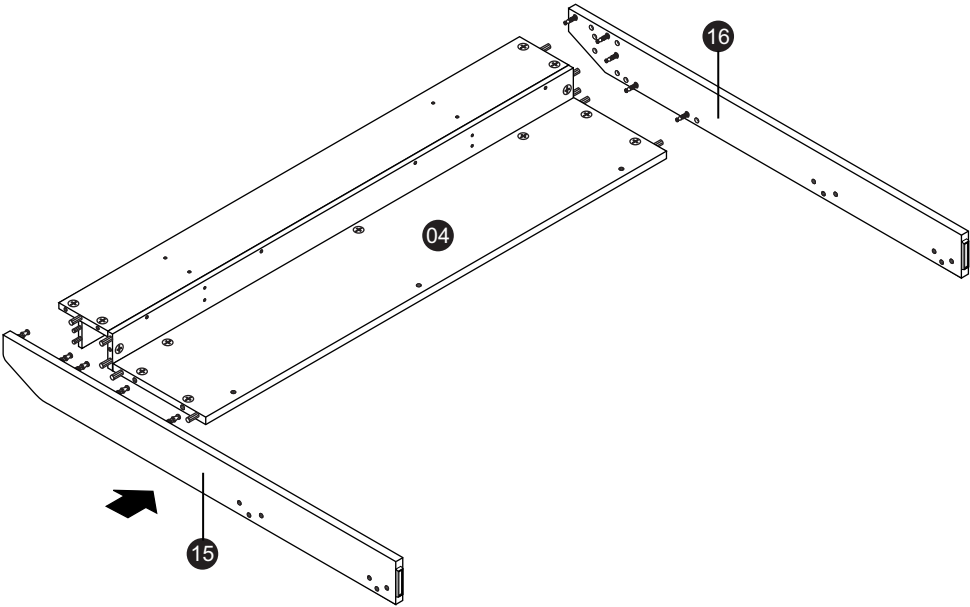
STEP 6



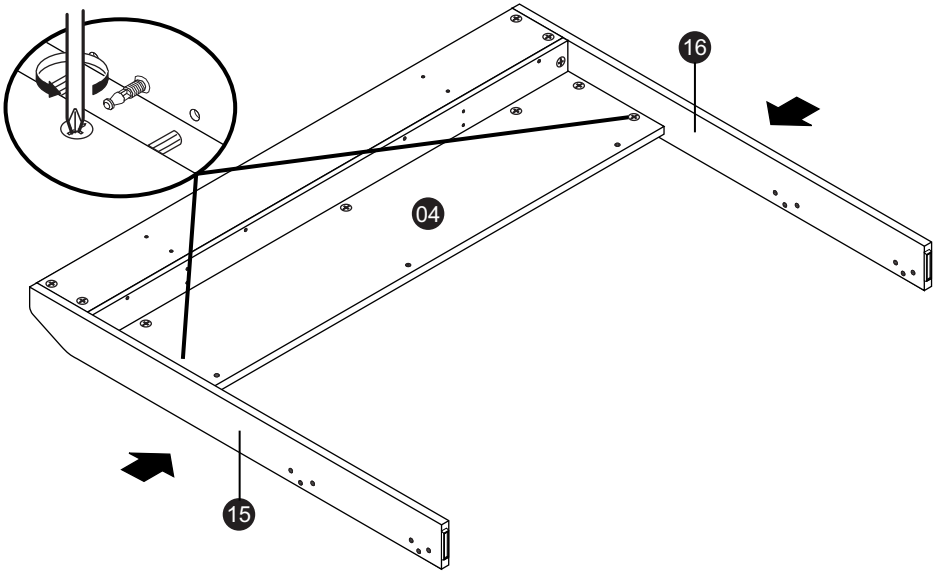
GUIDE TO ASSEMBLY

Model: CK 6272

STEP 7



STEP 8

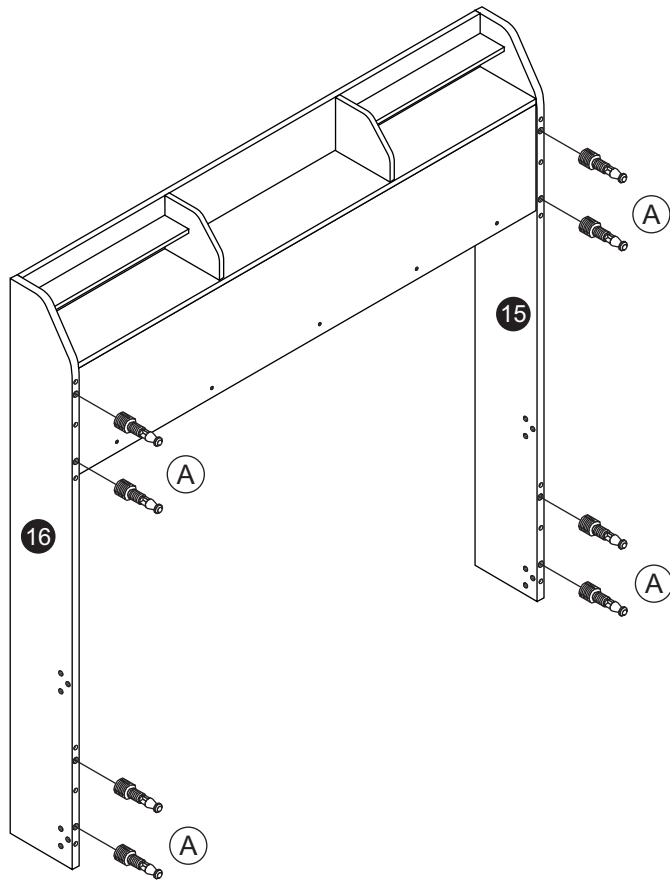


GUIDE TO ASSEMBLY

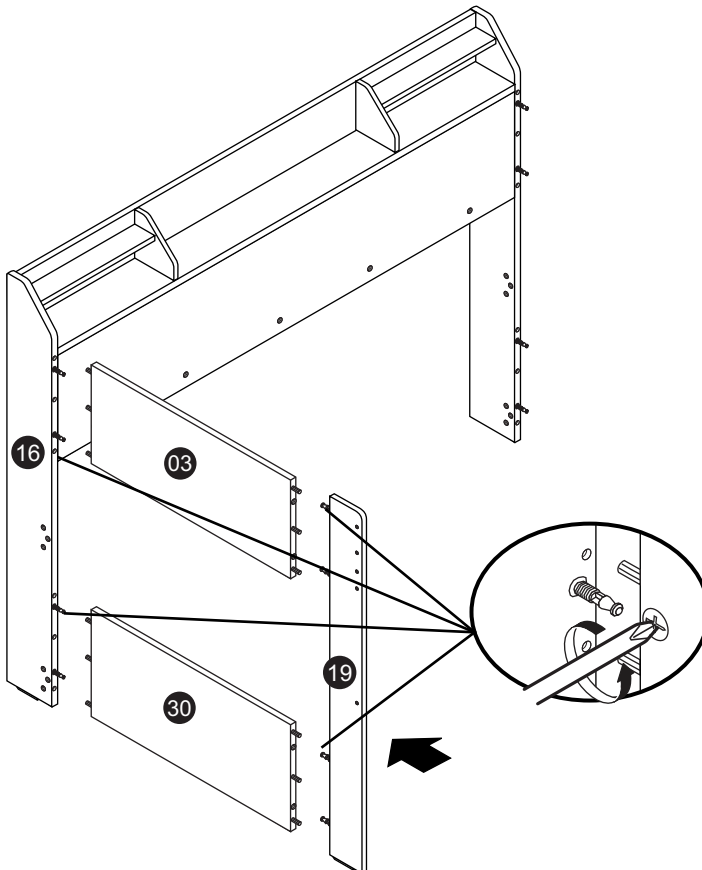
Model: CK 6272

STEP 9


A x 8



STEP 10

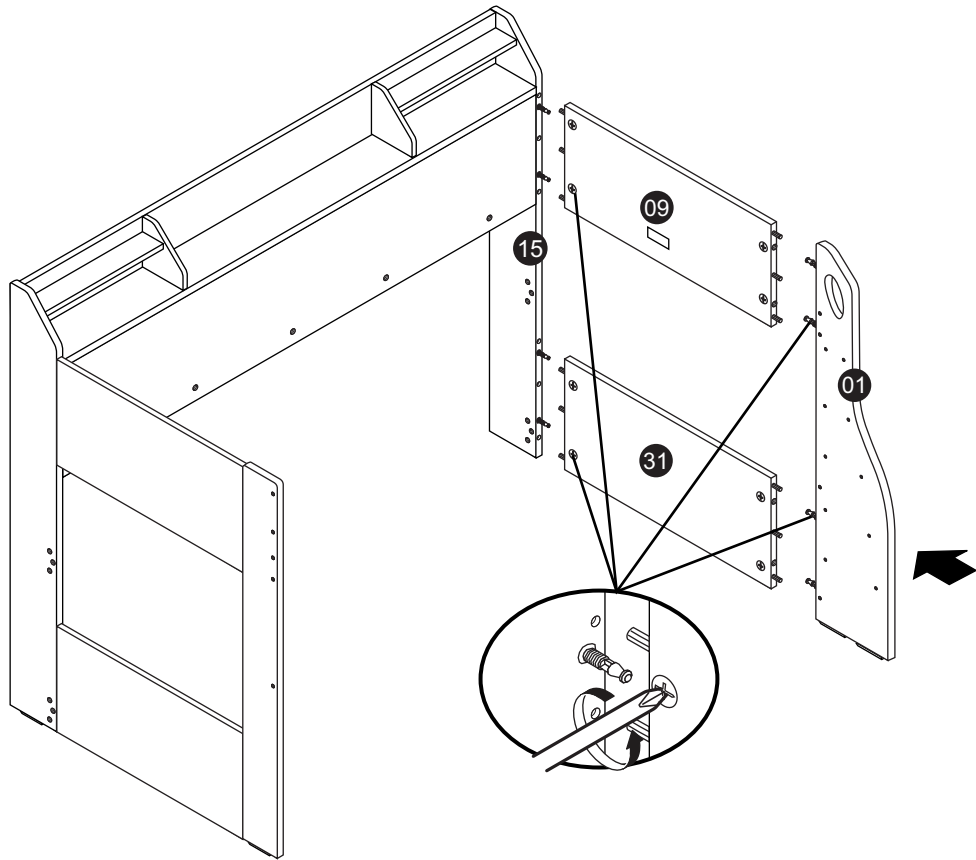


GUIDE TO ASSEMBLY

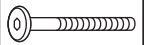
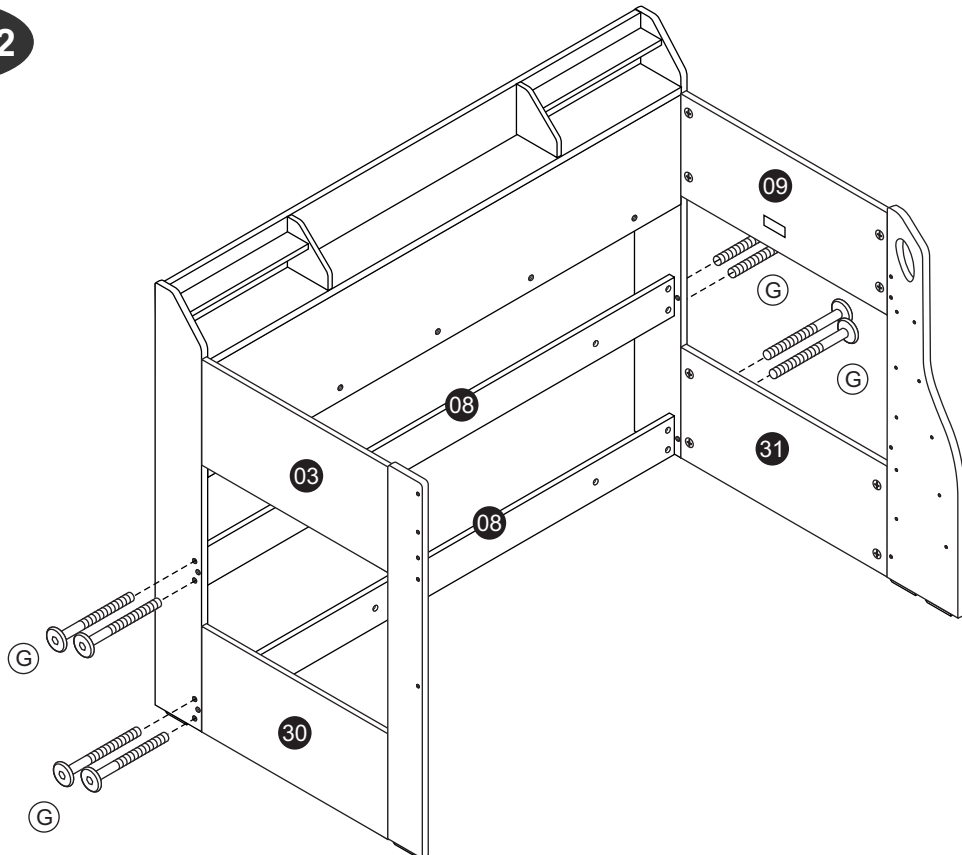
10
24

Model: CK 6272

STEP 11



STEP 12



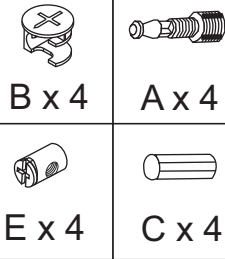
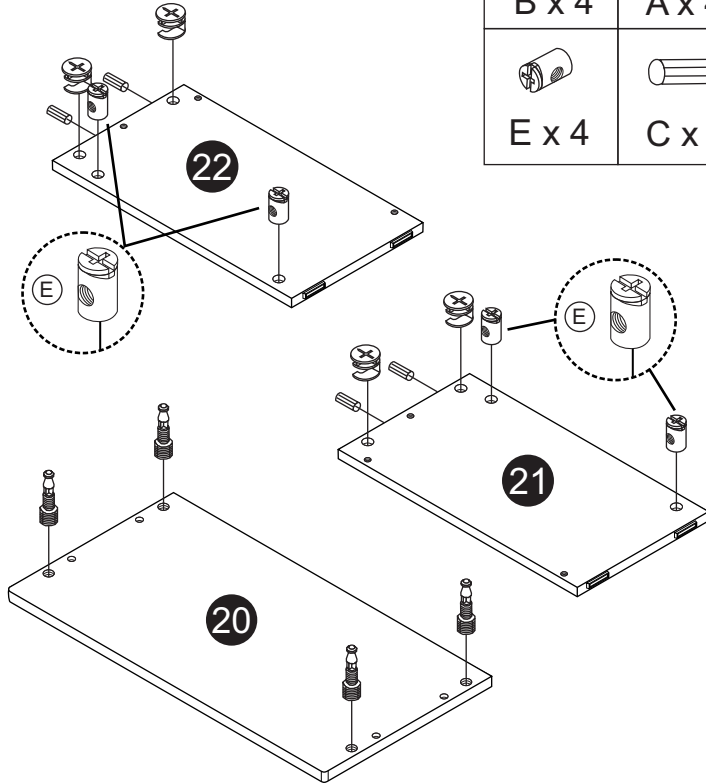
G x 8

GUIDE TO ASSEMBLY

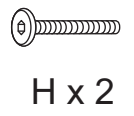
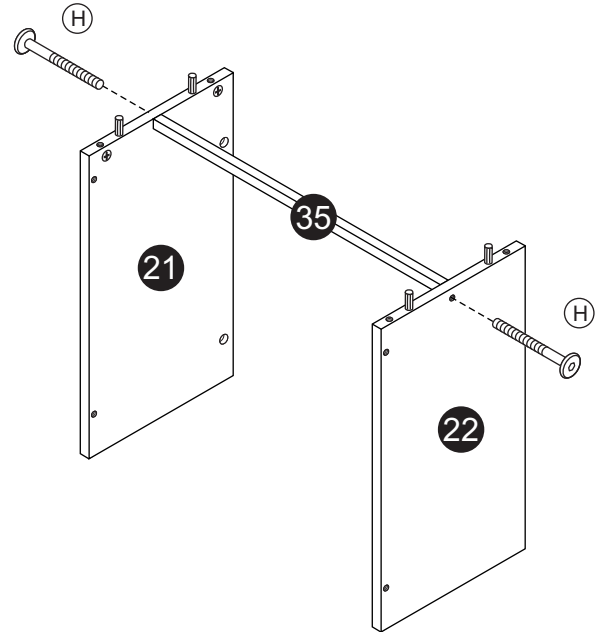
11
24

Model: CK 6272

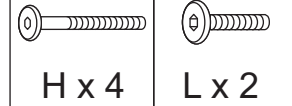
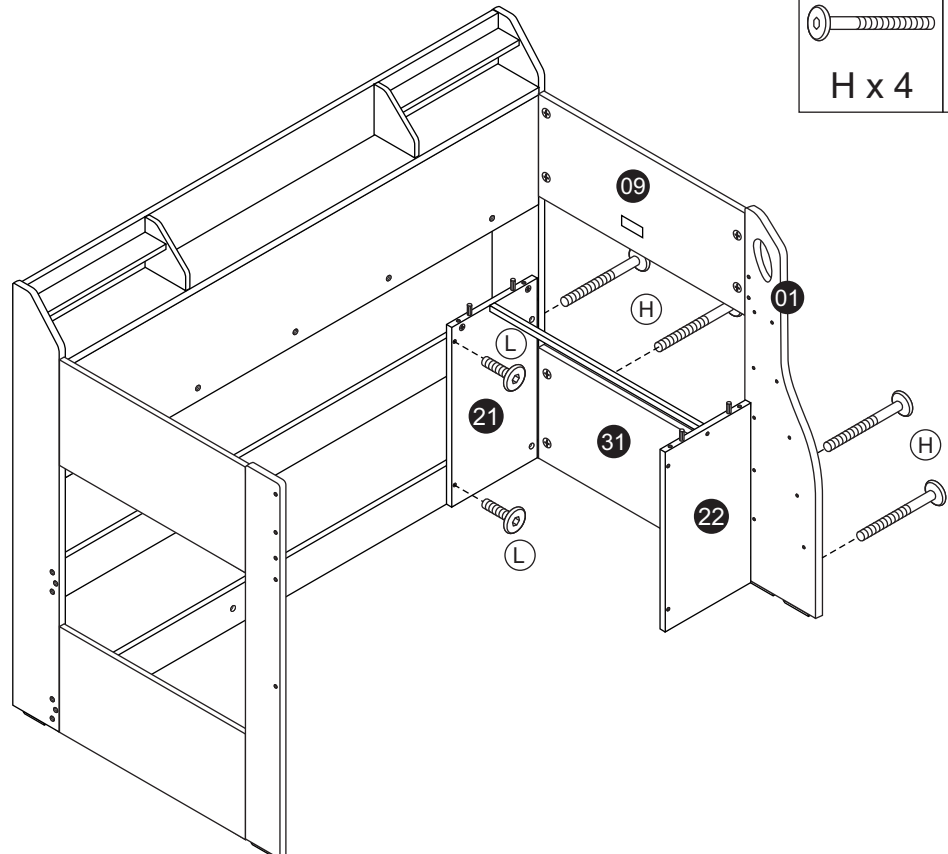
STEP 13



STEP 14



STEP 15

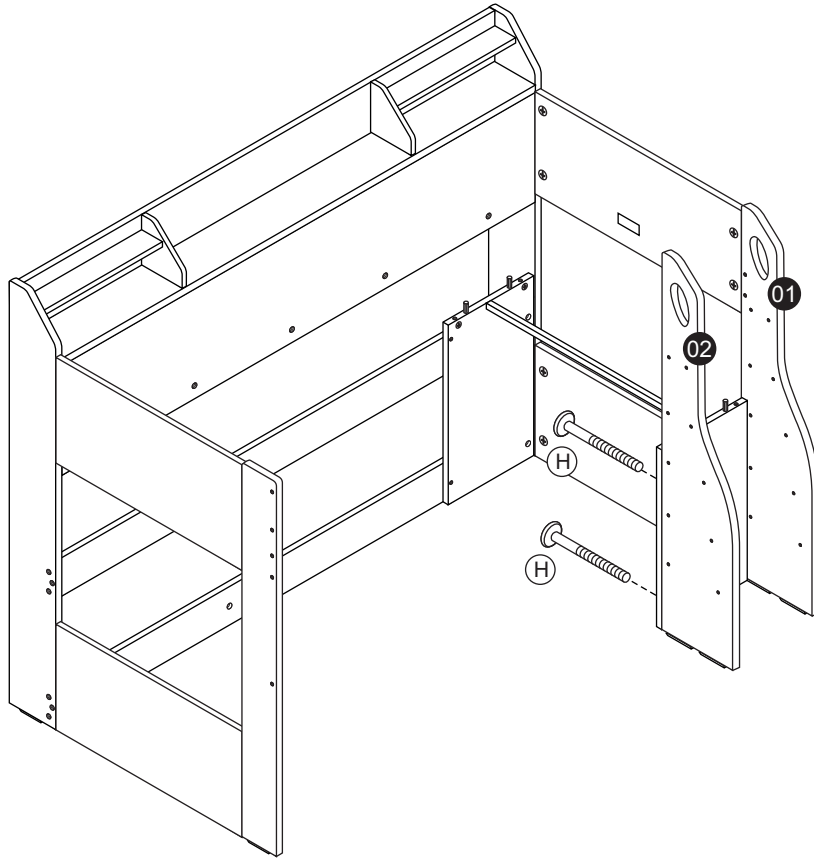
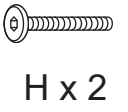


GUIDE TO ASSEMBLY

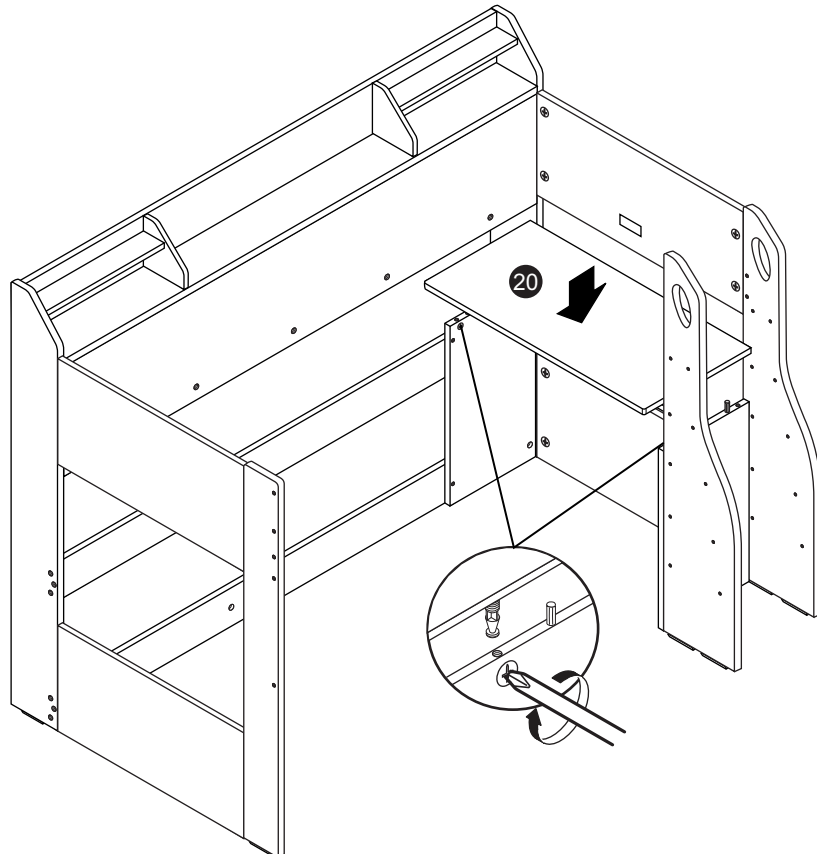
12
24

Model: CK 6272

STEP 16



STEP 17

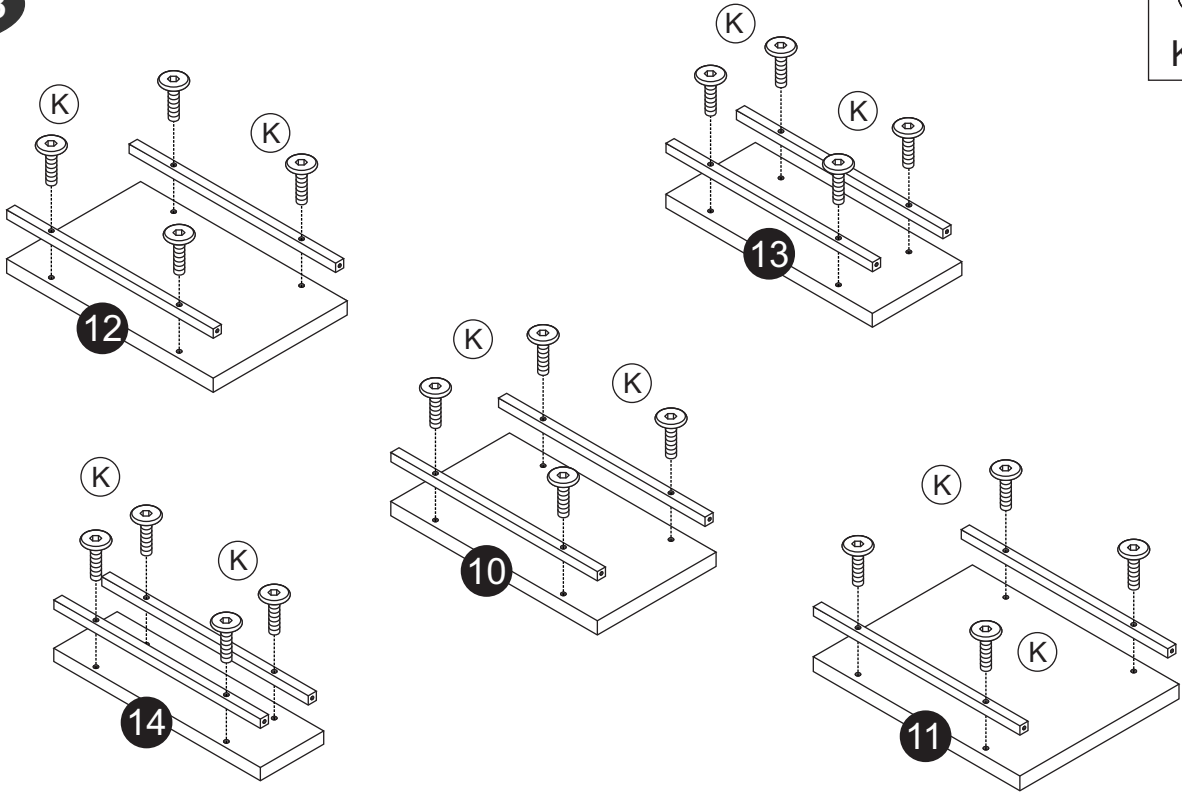


GUIDE TO ASSEMBLY

13
24


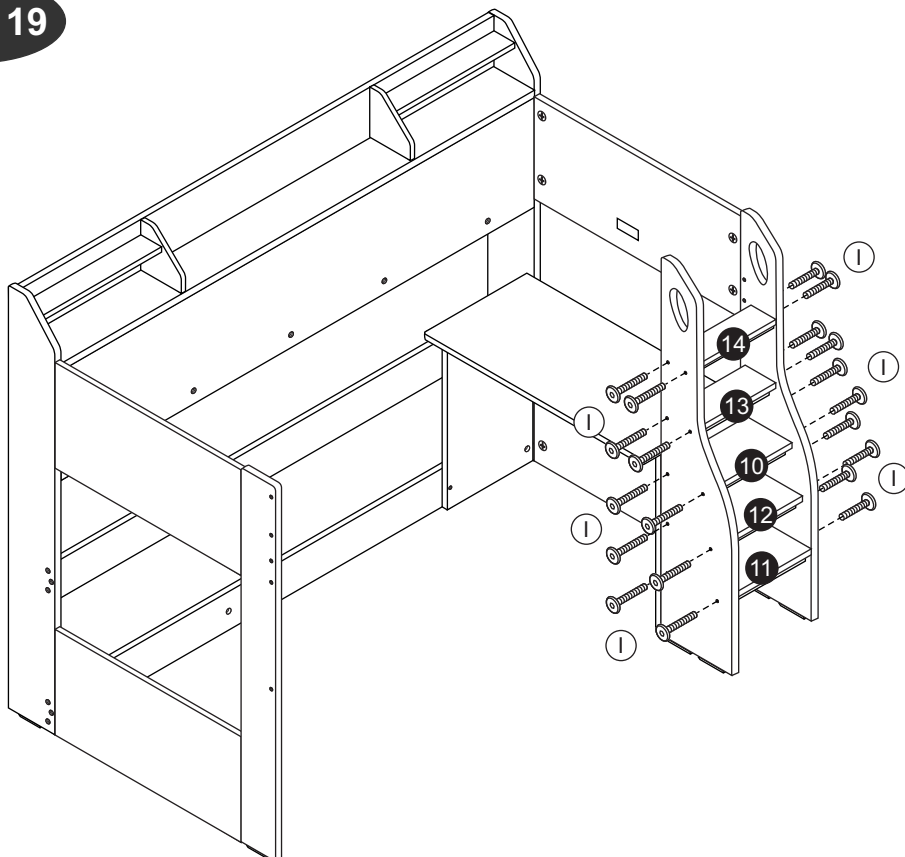
Model: CK 6272

STEP 18

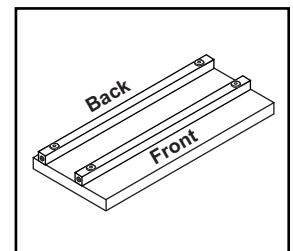


K x 20

STEP 19

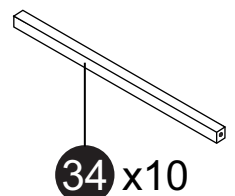


I x 20



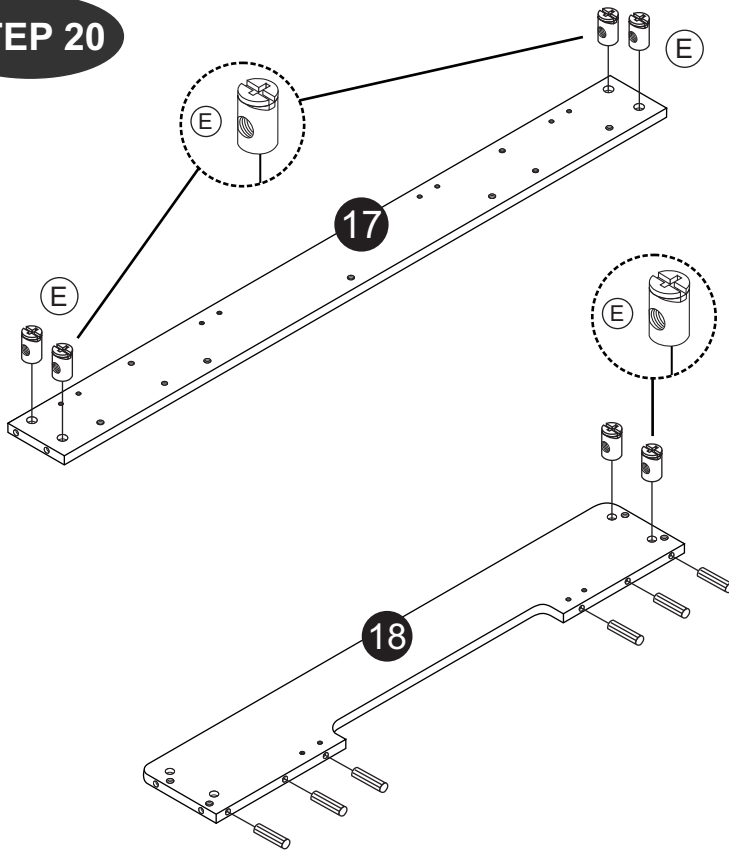
*Important

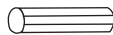

DO NOT
Stand on the steps without
attaching the support bars
(part 34 x 10).

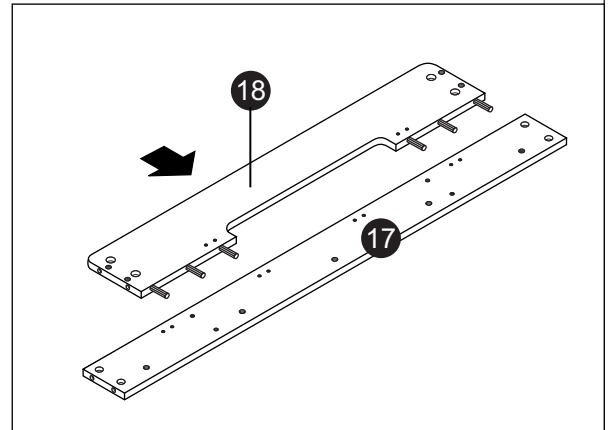


Model: CK 6272

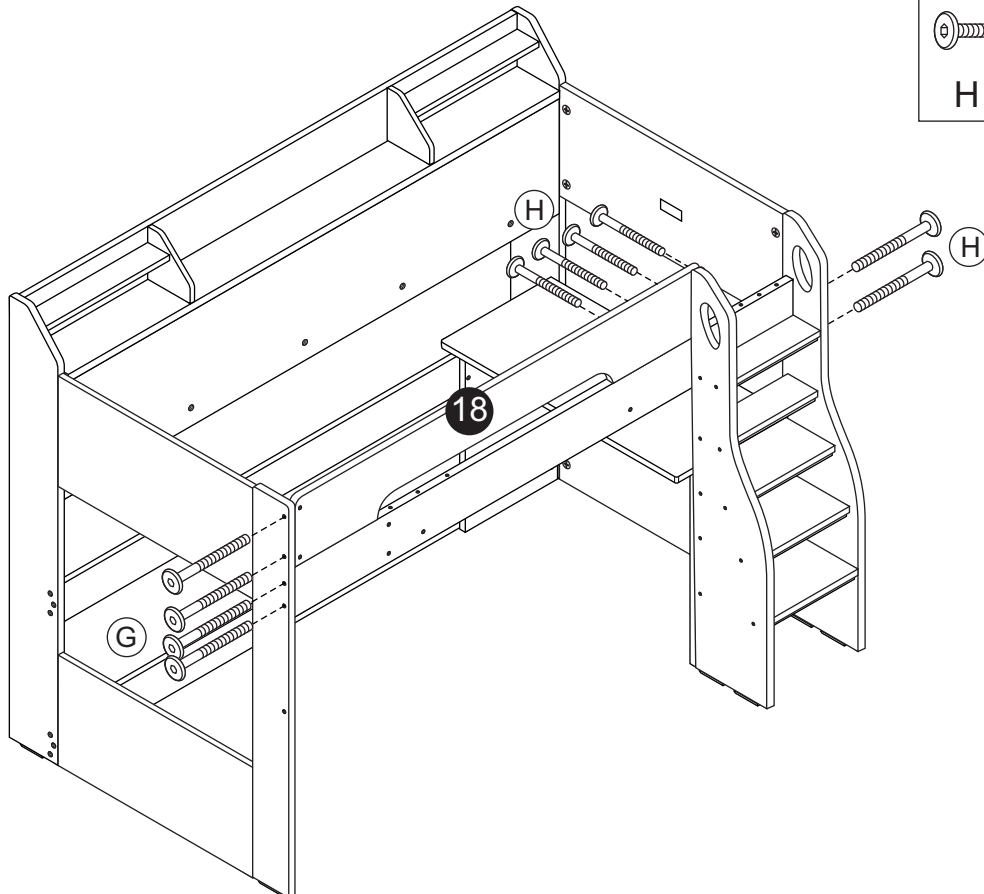
STEP 20





	
D x 6	E x 6



STEP 21



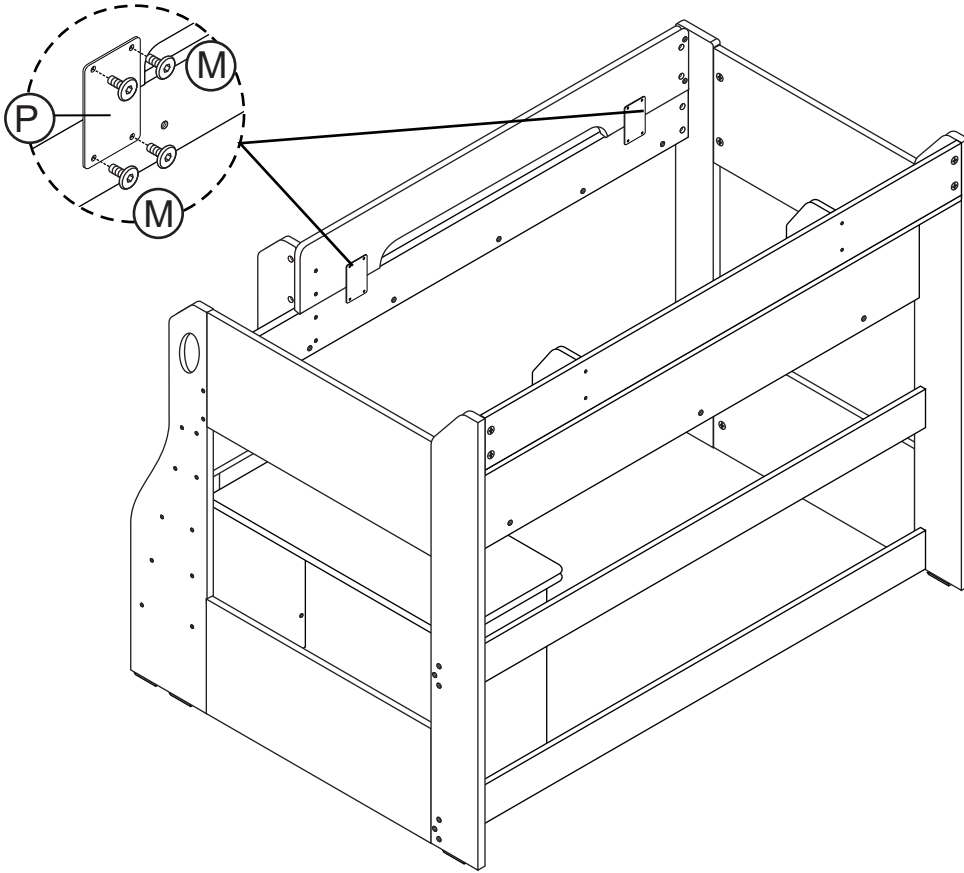
	
H x 6	G x 4

GUIDE TO ASSEMBLY

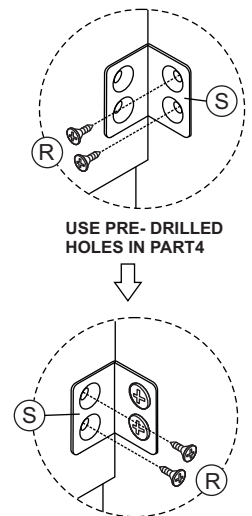
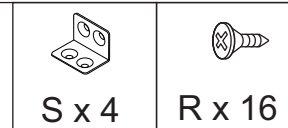
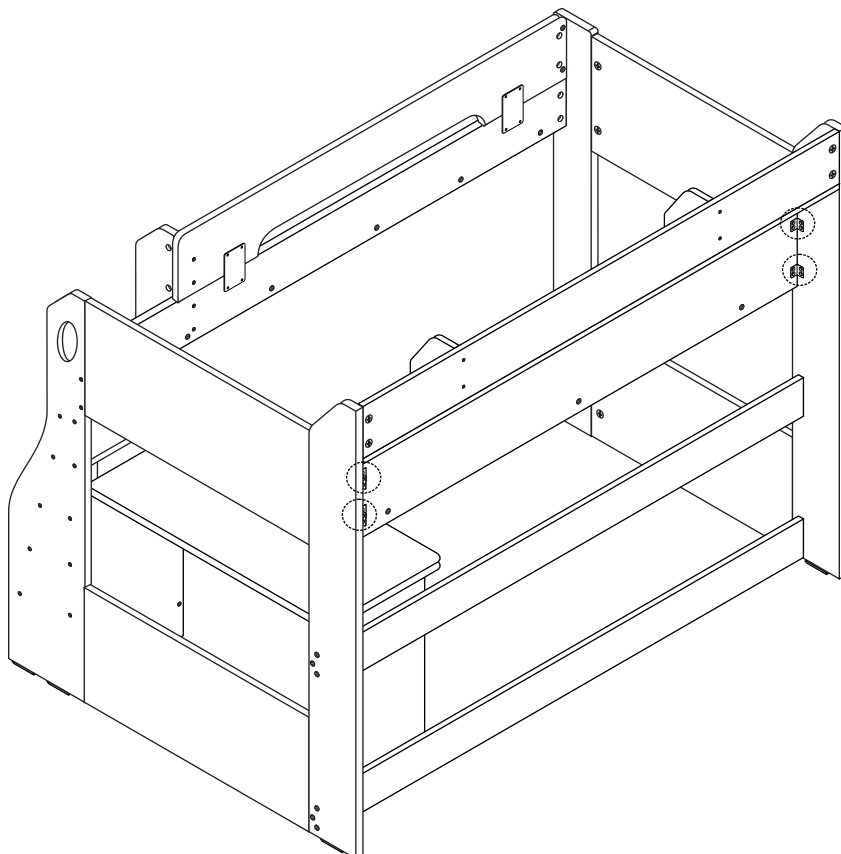
15
24

Model: CK 6272

STEP 22



STEP 23



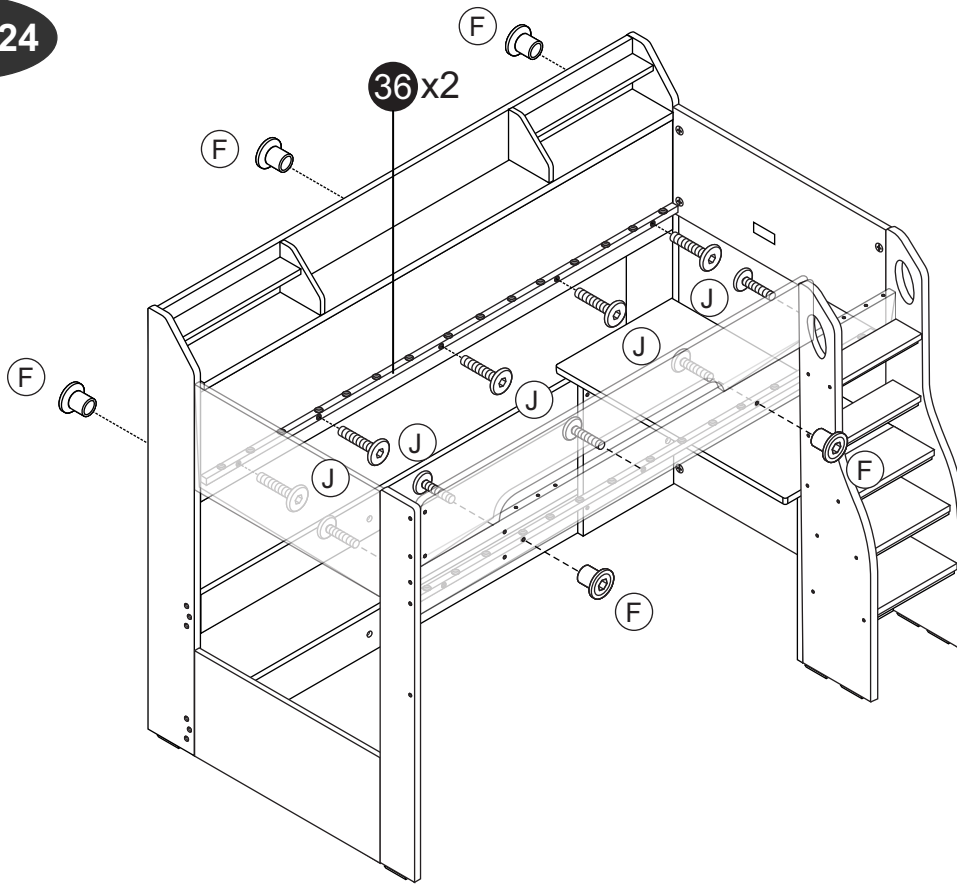
USE PRE-DRILLED
HOLES IN PART 4

GUIDE TO ASSEMBLY

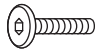
16
24

Model: CK 6272

STEP 24

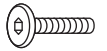
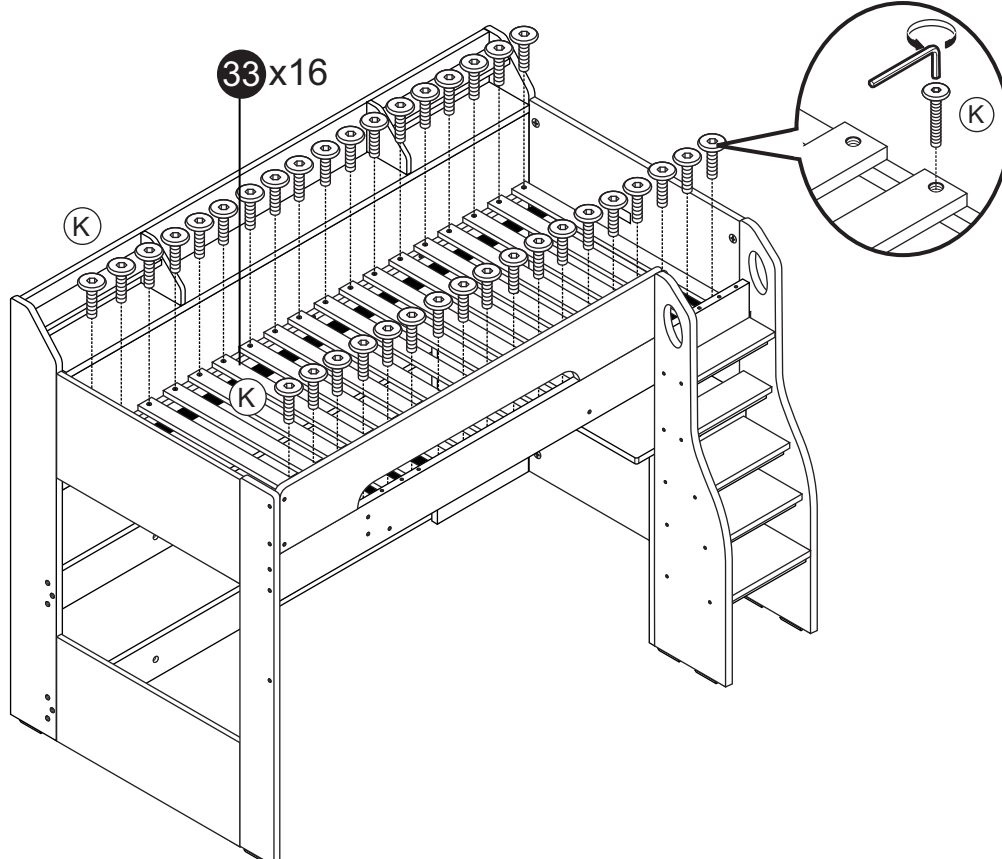


F x 5



J x 10

STEP 25




K x 32

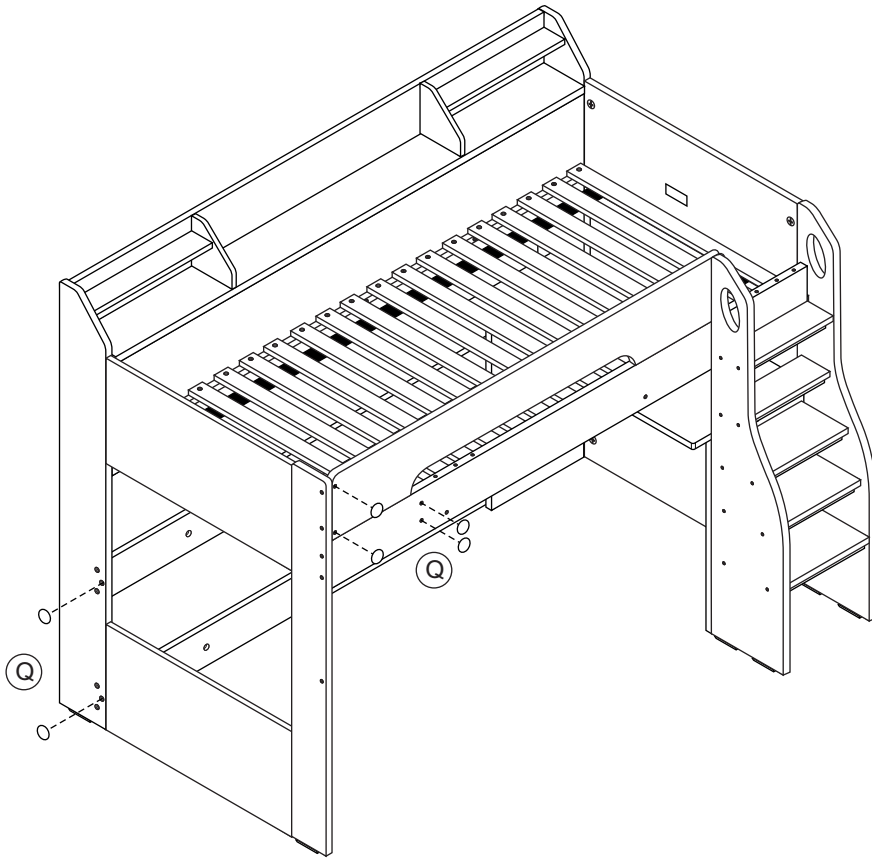
GUIDE TO ASSEMBLY

17
24

Model: CK 6272

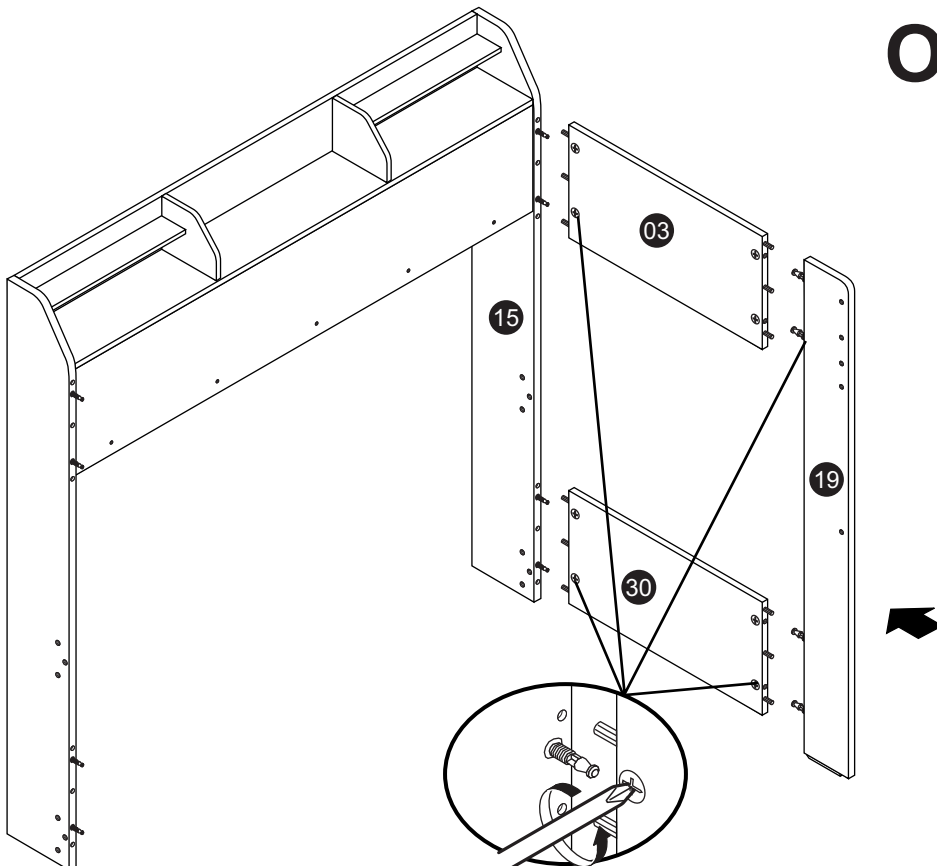
STEP 26


Q x 6



STEP 27

Option B

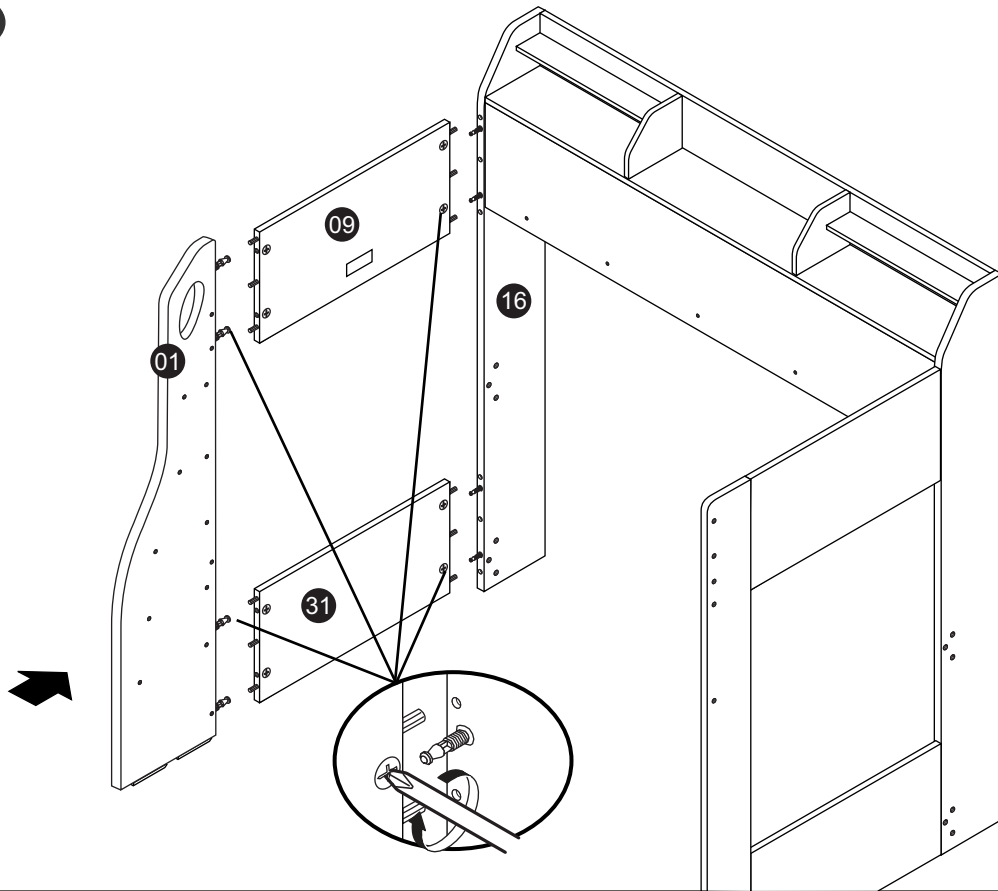


GUIDE TO ASSEMBLY

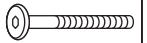
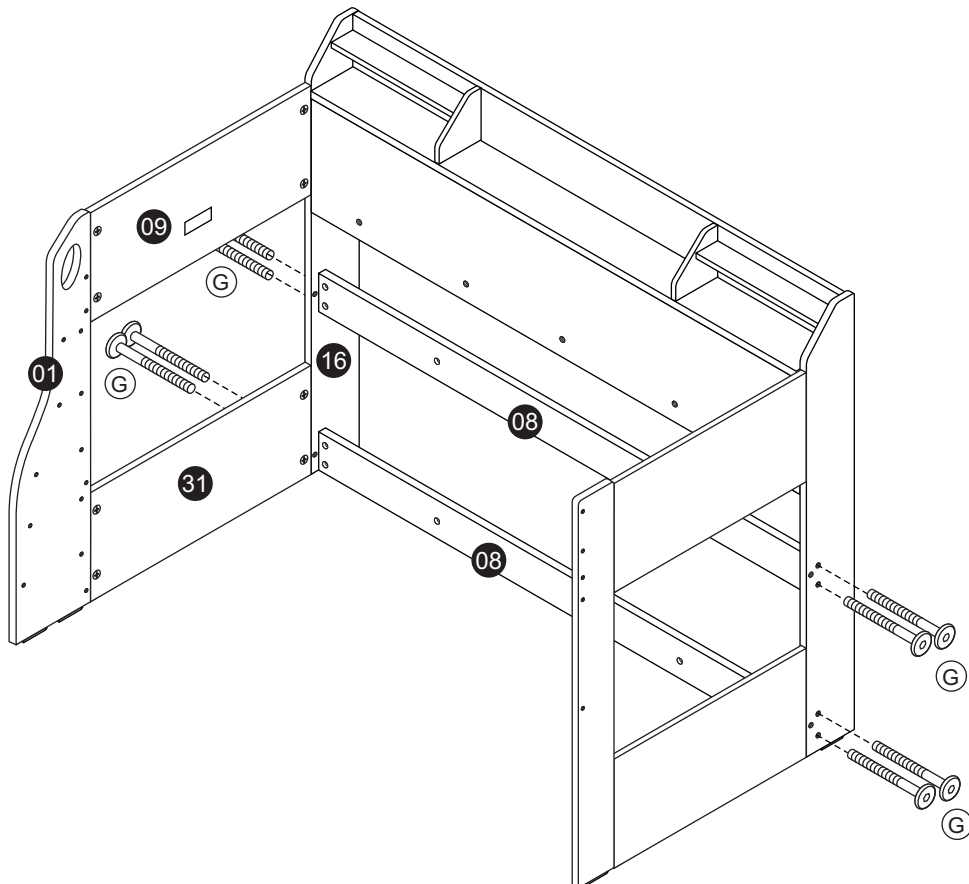
18
24

Model: CK 6272

STEP 28



STEP 29



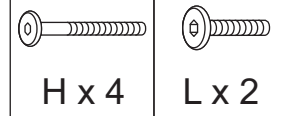
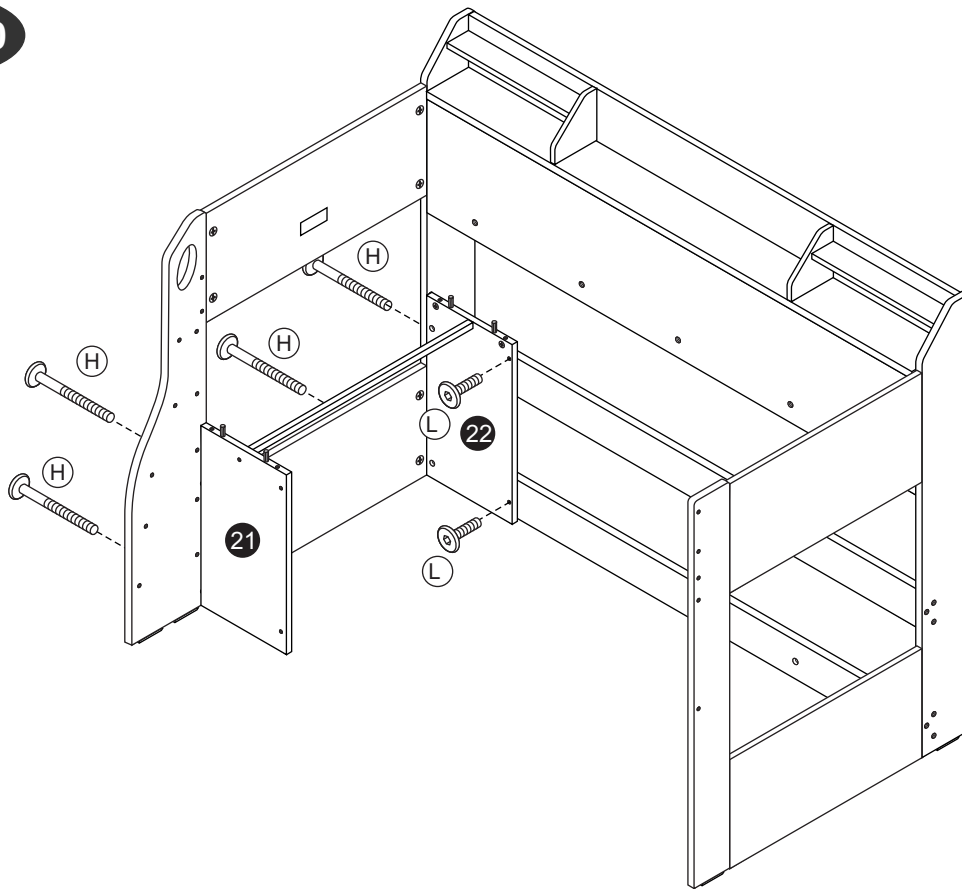
G x 8

GUIDE TO ASSEMBLY

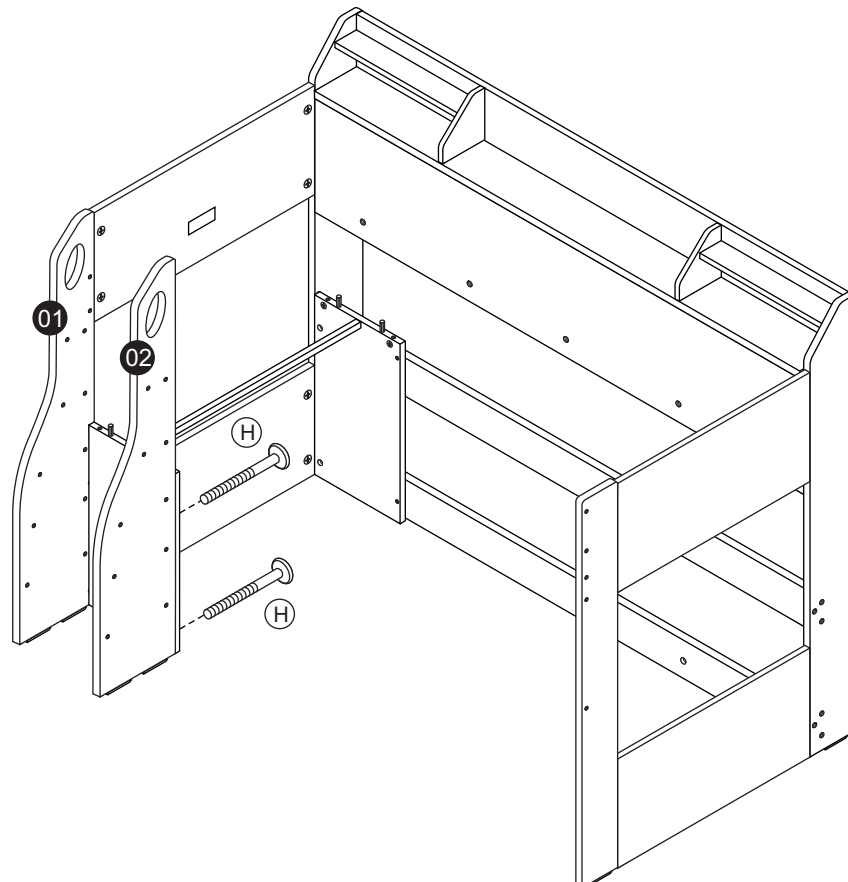
19
24

Model: CK 6272

STEP 30



STEP 31

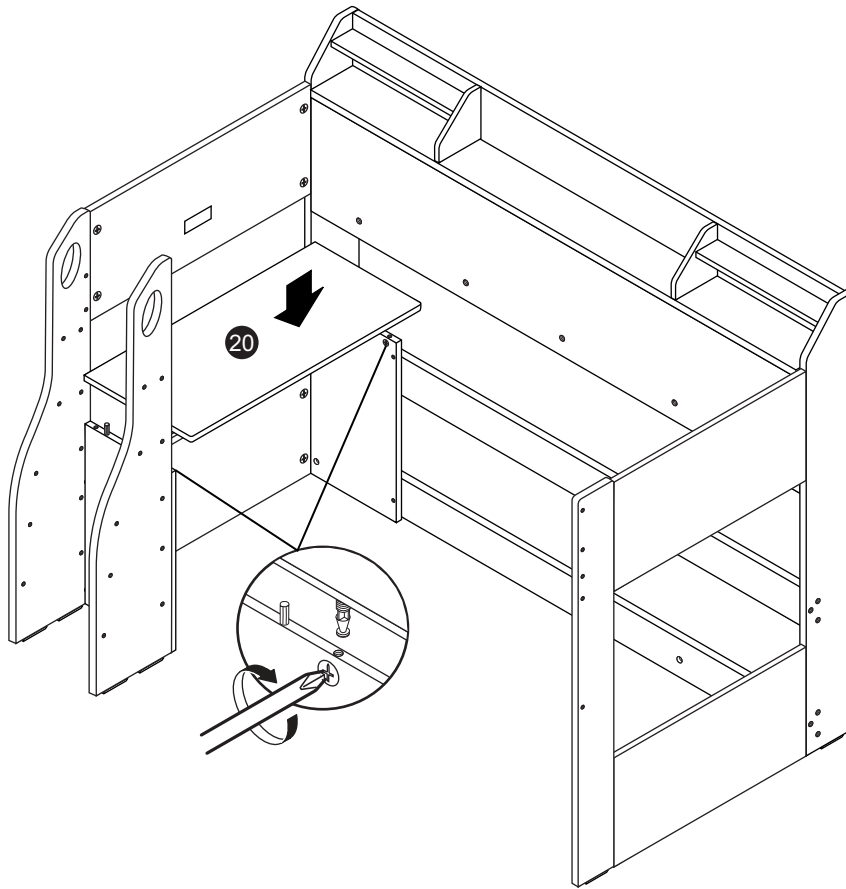


GUIDE TO ASSEMBLY

20
24

Model: CK 6272

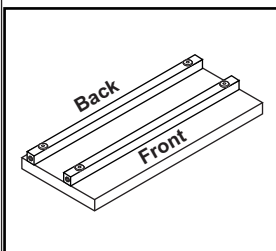
STEP 32



STEP 33

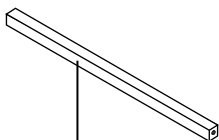


1 x 20

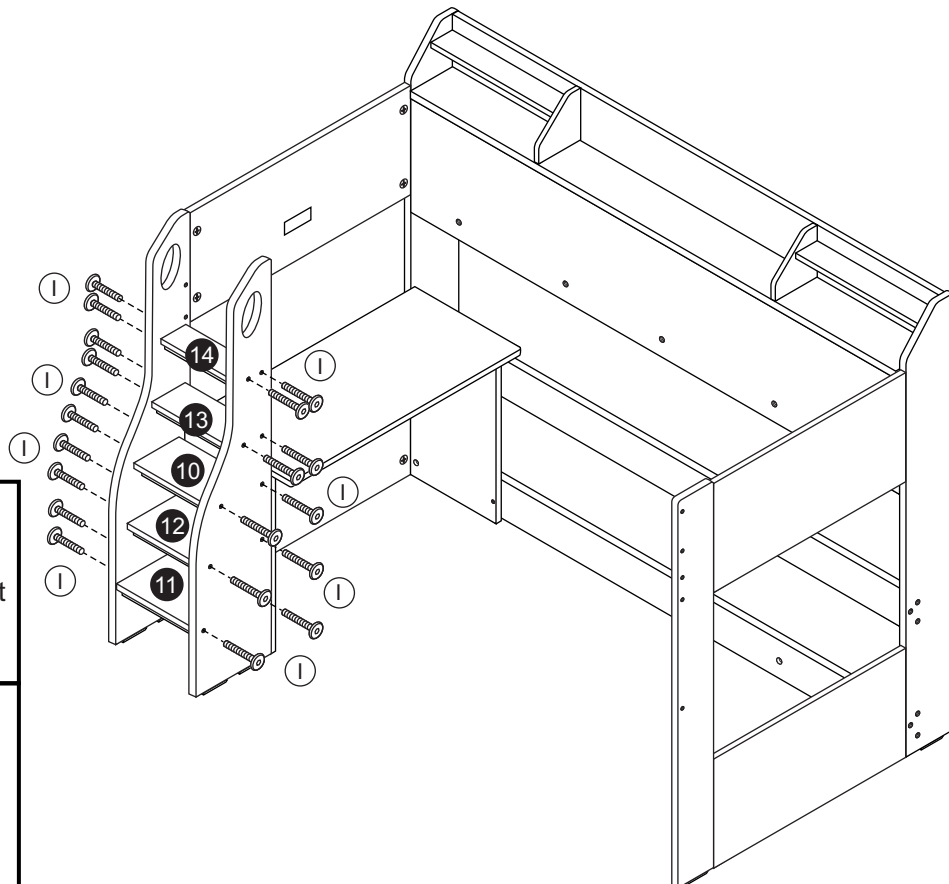


*Important

DO NOT
Stand on the steps without
attaching the support bars
(part 34 x 10).



34 x 10

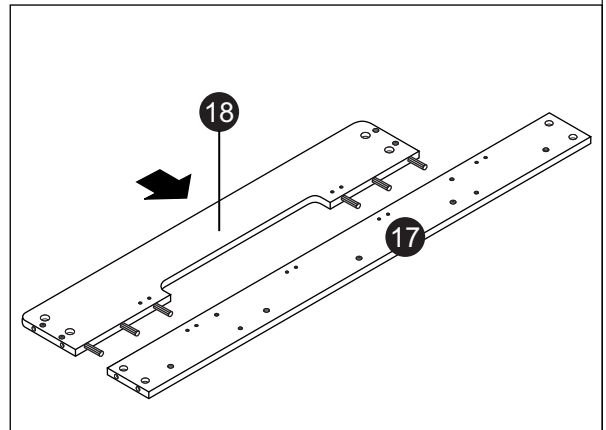
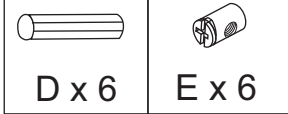
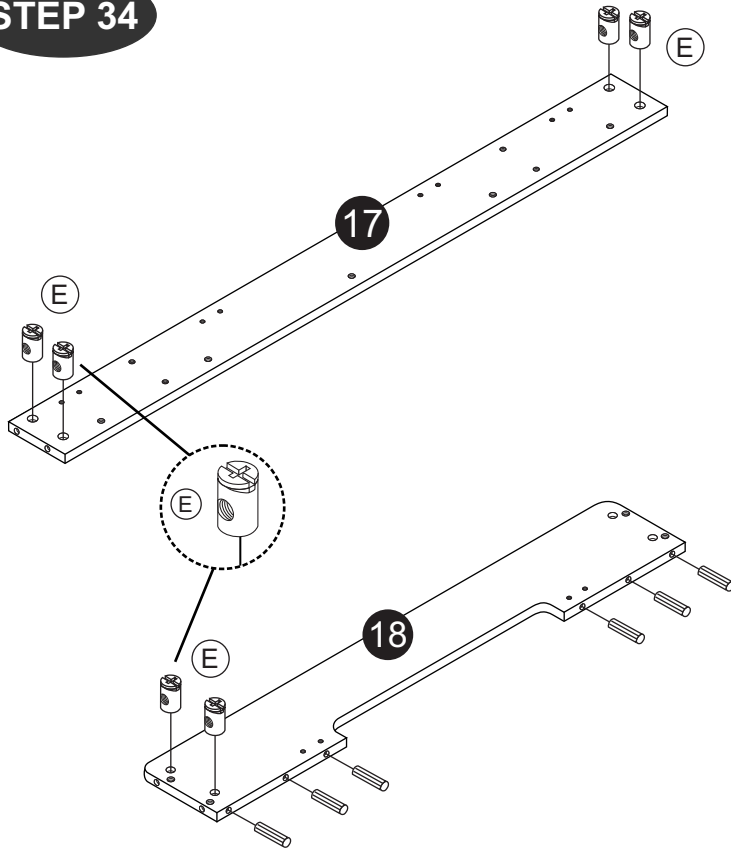


GUIDE TO ASSEMBLY

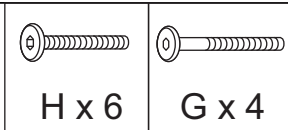
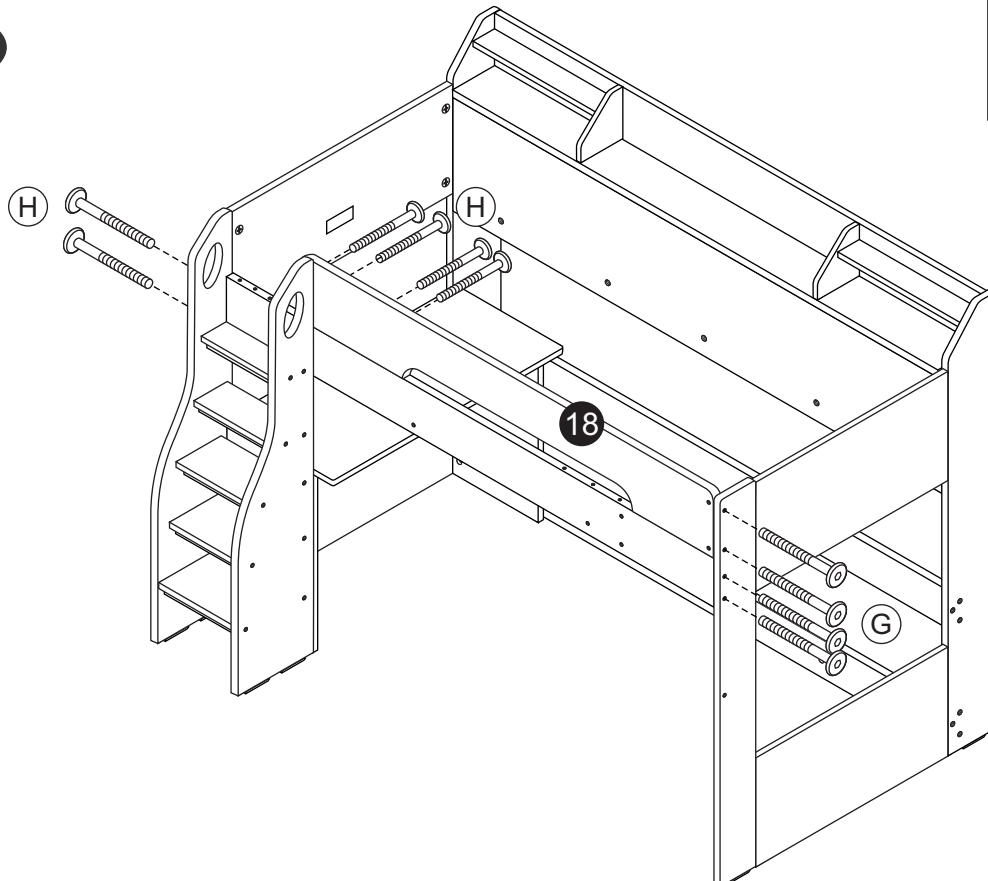
21
24

Model: CK 6272

STEP 34



STEP 35

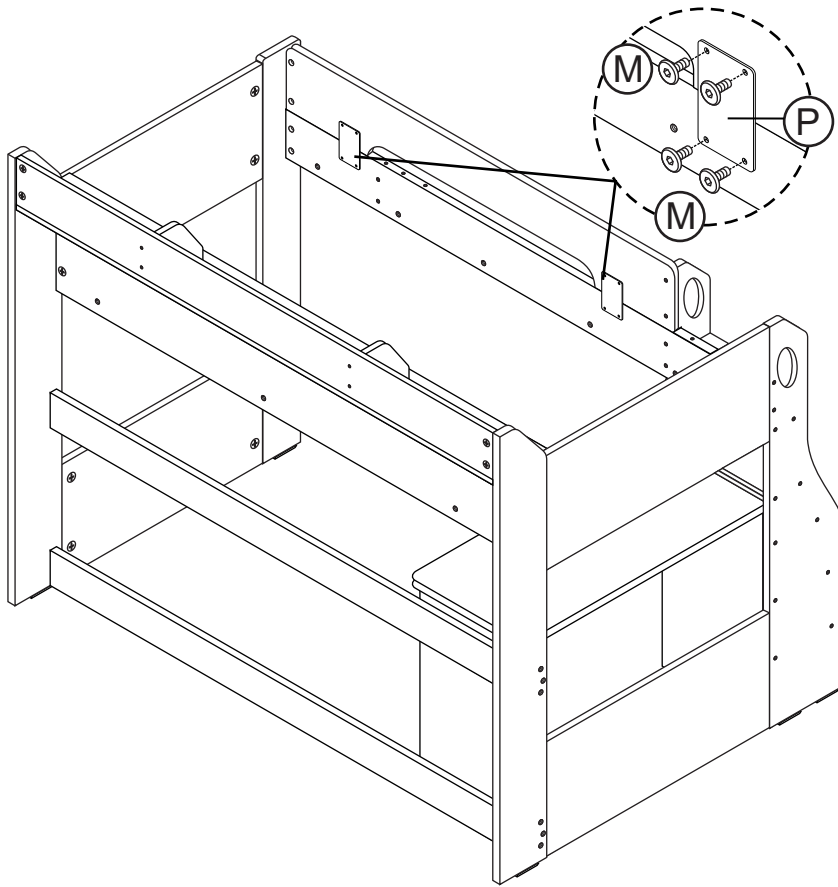



GUIDE TO ASSEMBLY

22
24

Model: CK 6272

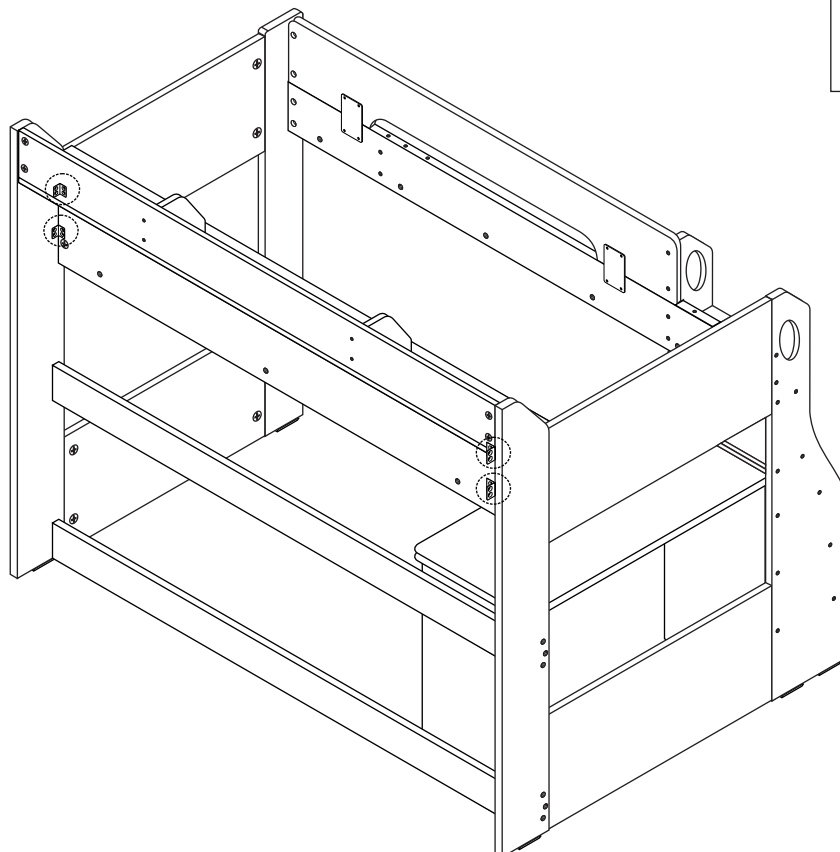
STEP 36




P x 2

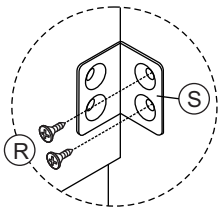

M x 8

STEP 37

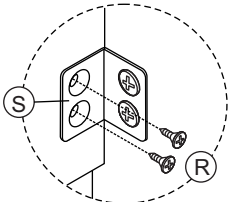



S x 4


R x 16



USE PRE-DRILLED
HOLES IN PART 4

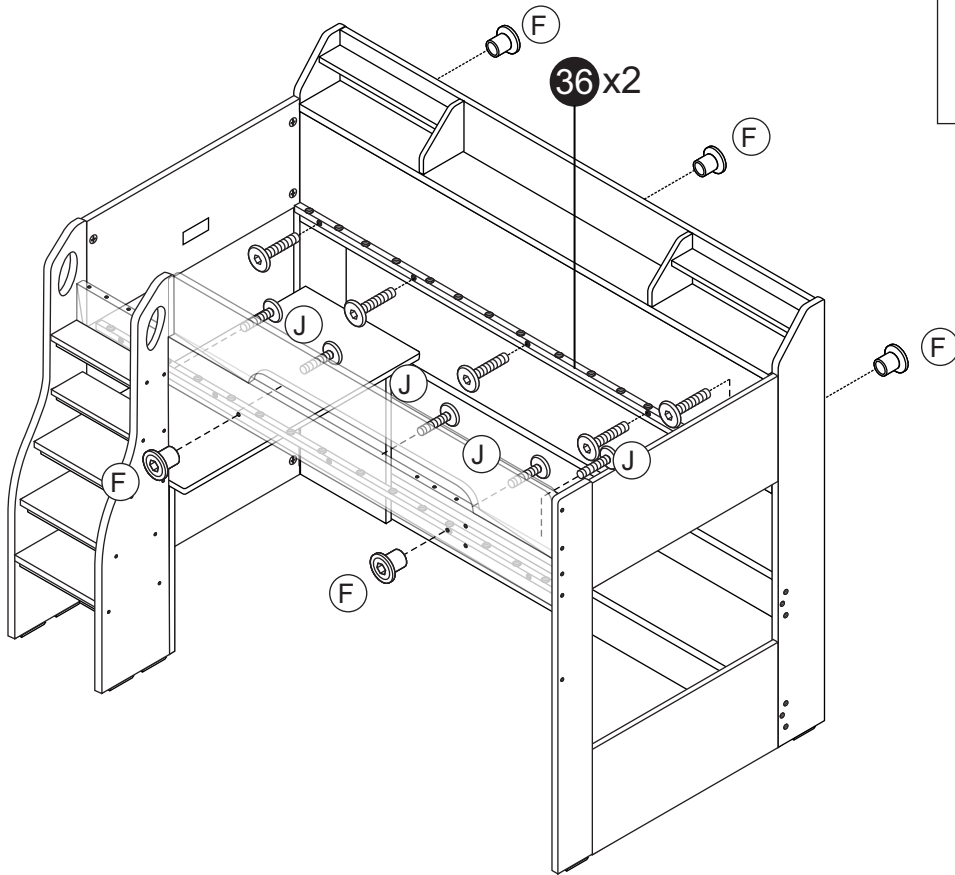


GUIDE TO ASSEMBLY

23
24

Model: CK 6272

STEP 38



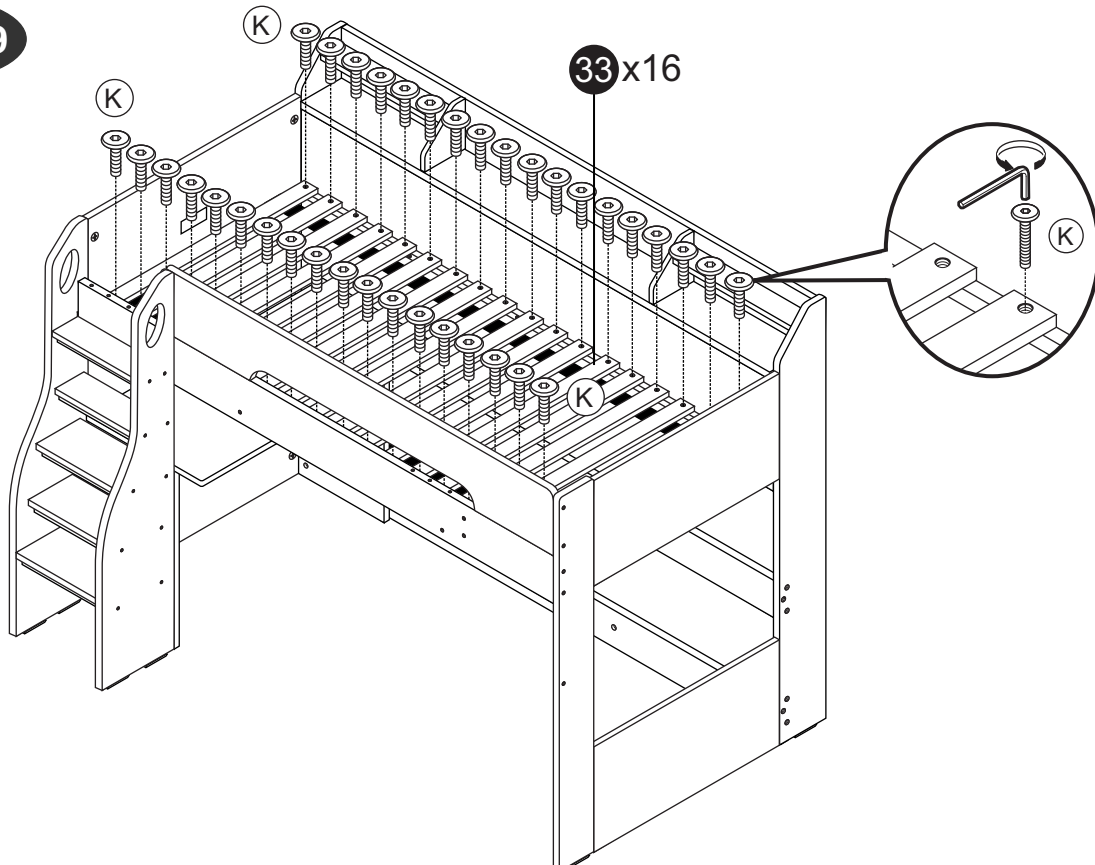
F x 5



J x 10

36x2

STEP 39



K x 32

33x16

GUIDE TO ASSEMBLY

Model: CK 6272

STEP 40

○
Q x 6

