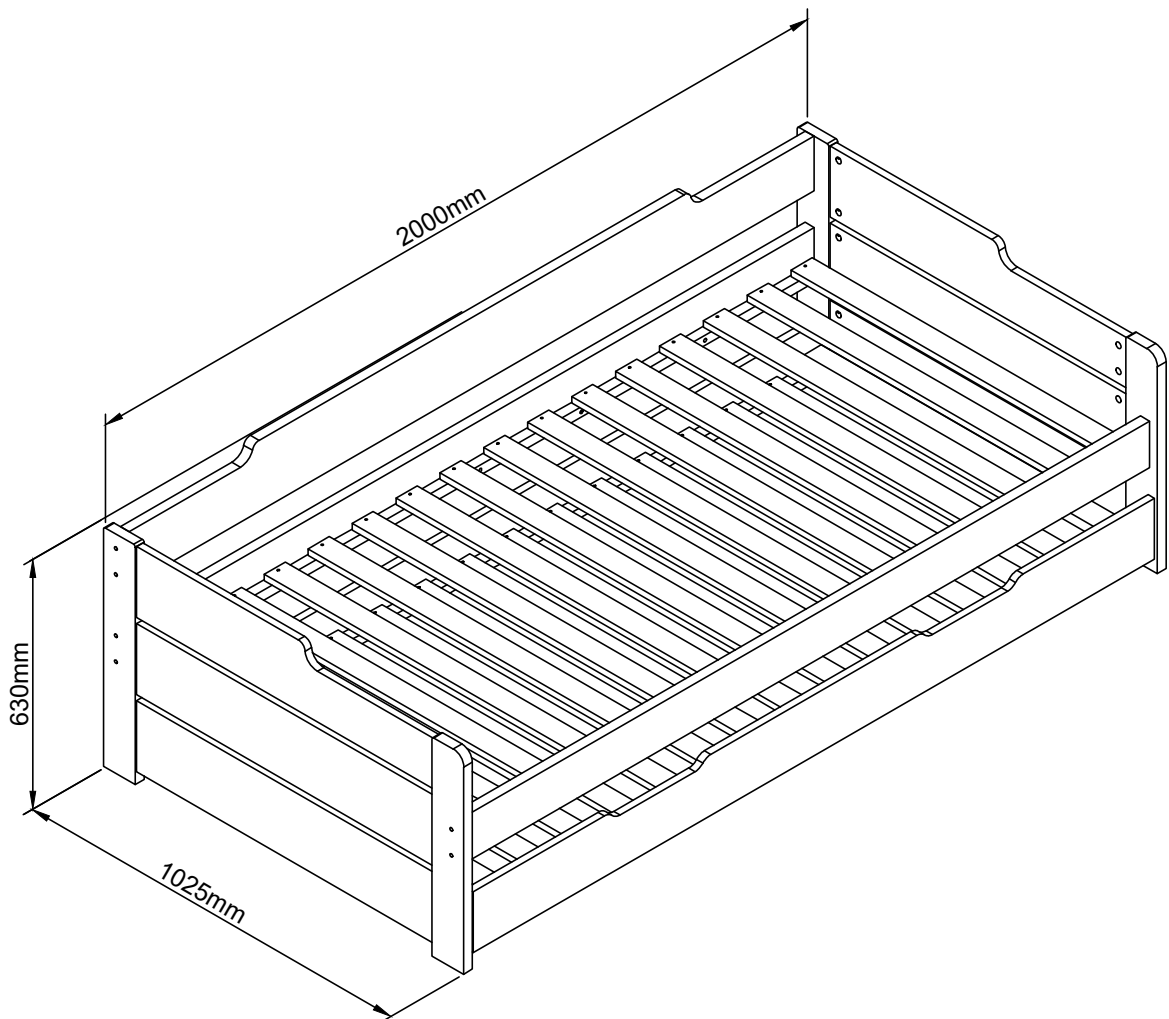


COPELLA DAY BED + GUEST BED TRUNDLE

ASSEMBLY INSTRUCTION



All measurements are approximate

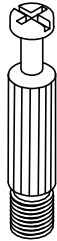
Hardware

A



Cam
24 PCS

B



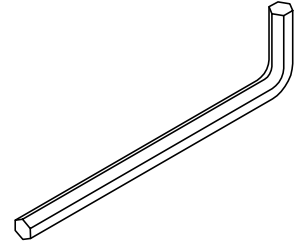
Cam Stud
24 PCS

C



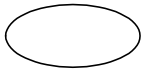
M8 x 30mm
22 PCS

D



M4 Allen key
1 PC

E



Round Sticker
38 PCS

F



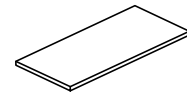
Unitar JCBC Screw
M6 x 55mm
16 PCS

G



JCBC W Screw
M6 X 30MM
60PCS

H



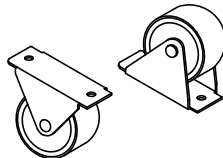
FELT PAD
4PCS

I



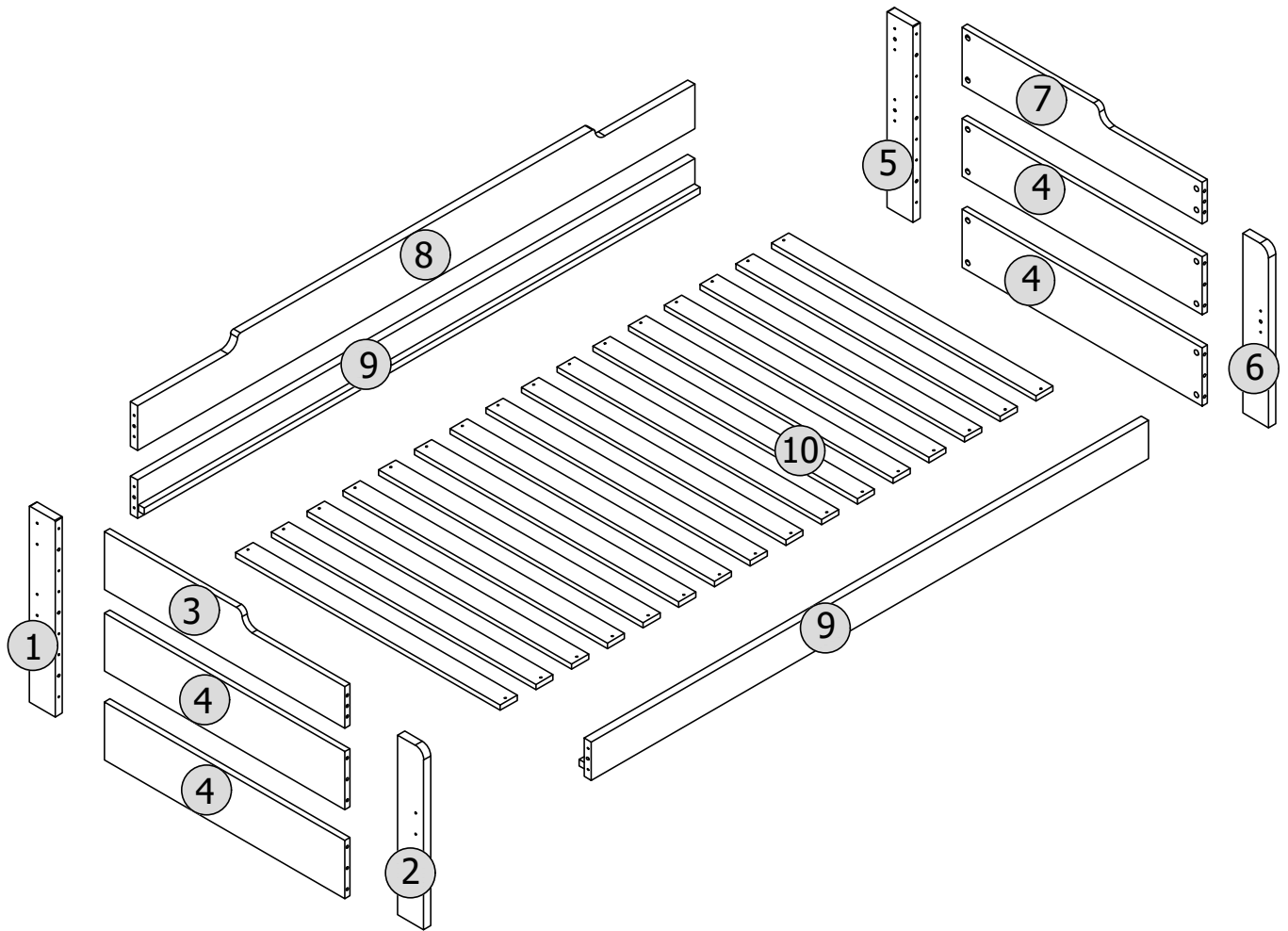
Chipboard screw
M3.5 x 16mm
8 PCS

J



Castor
4PCS

Parts


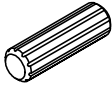


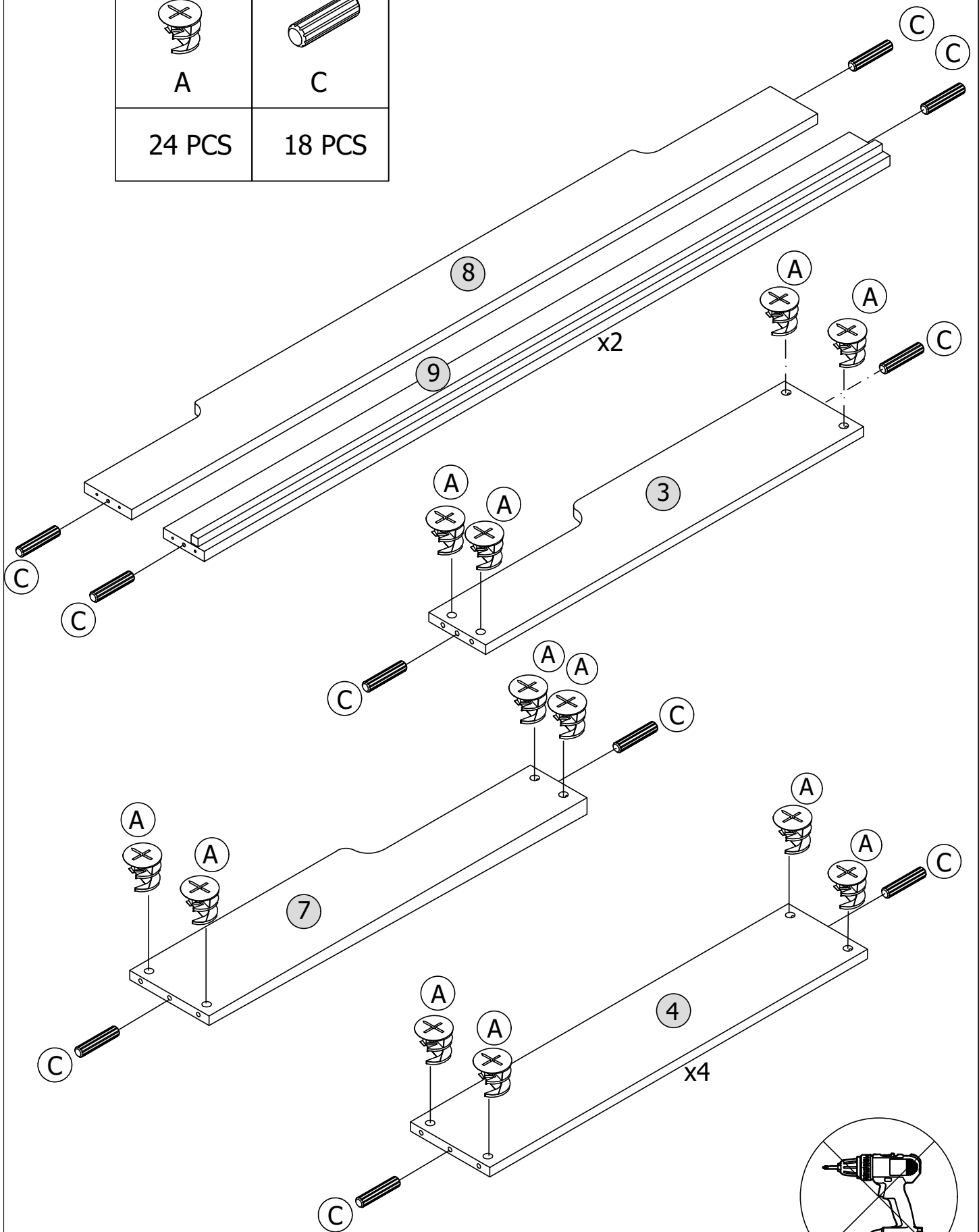
ALL PARTS ARE NUMBERED ACCORDINGLY

Copella Day Bed Part List:

CARTON 1 OF 1		
NO.	DESCRIPTION	QTY
1	BACK POST (LEFT)	1
2	FRONT POST (LEFT)	1
3	LEFT SIDE CURVE PANEL	1
4	SIDE PANEL	4
5	BACK POST (RIGHT)	1
6	FRONT POST (RIGHT)	1
7	RIGHT SIDE CURVE PANEL	1
8	BACK PANEL	1
9	SIDE RAIL FRONT & BACK	2
10	LVL SLAT	16

Step 1

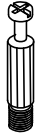
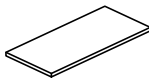
	
A	C
24 PCS	18 PCS

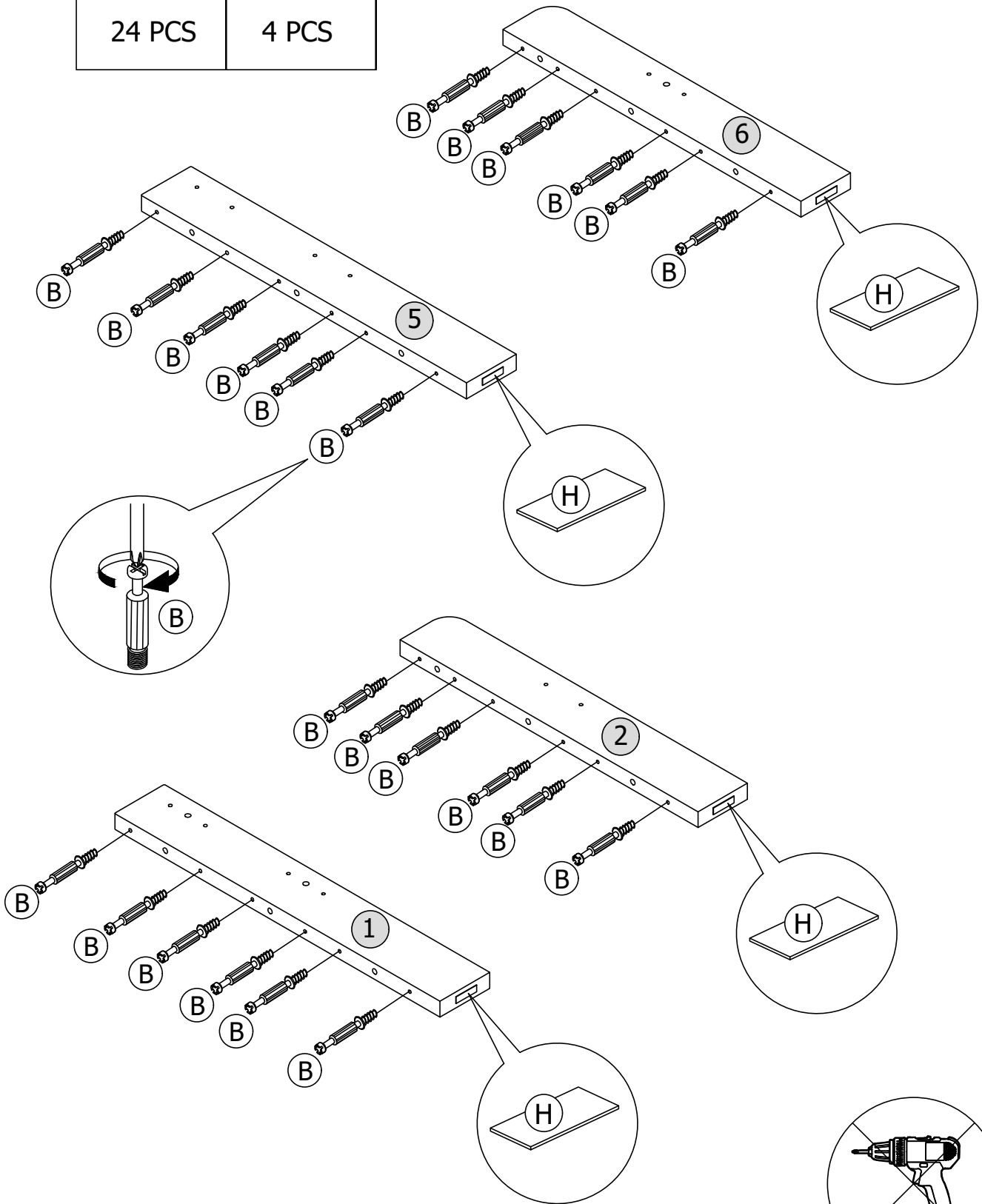


DO NOT USE POWER TOOLS AS THIS MAY DAMAGE THE FRAME AND WILL INVALIDATE ANY CLAIM.

DO NOT USE POWER TOOLS

Step 2

 B	 H
24 PCS	4 PCS

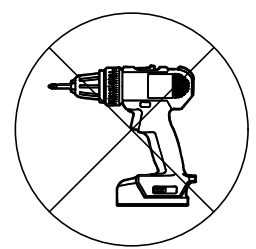
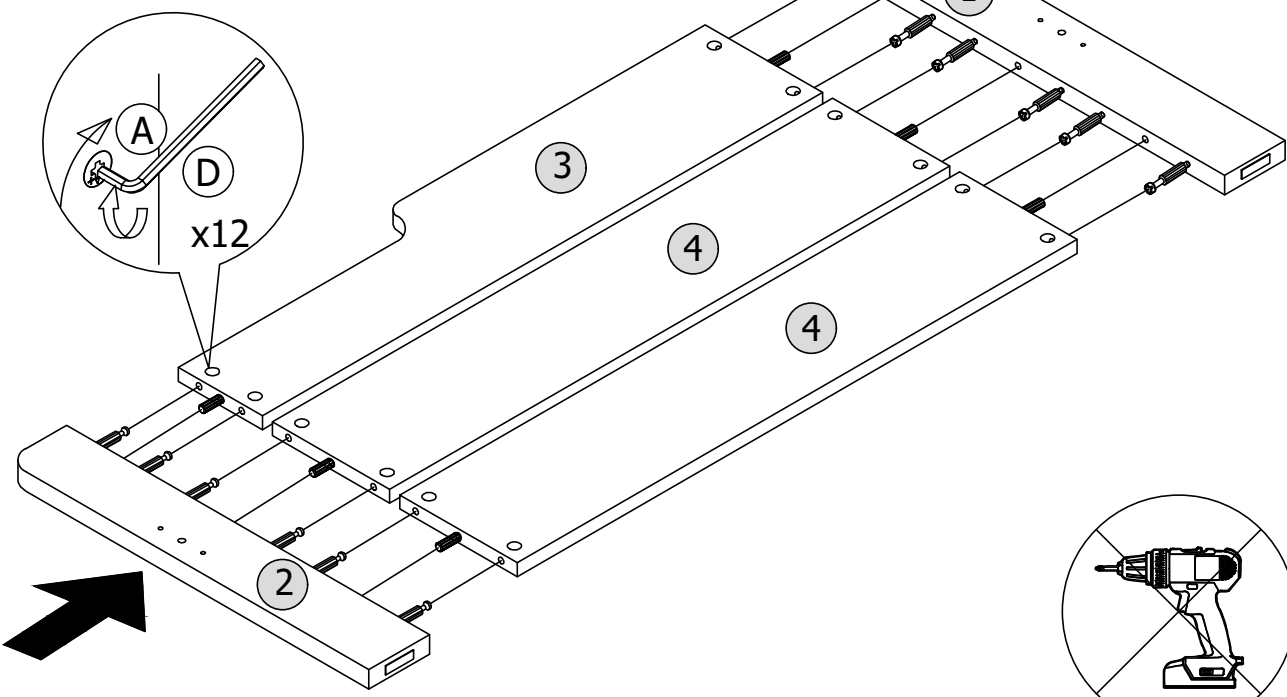
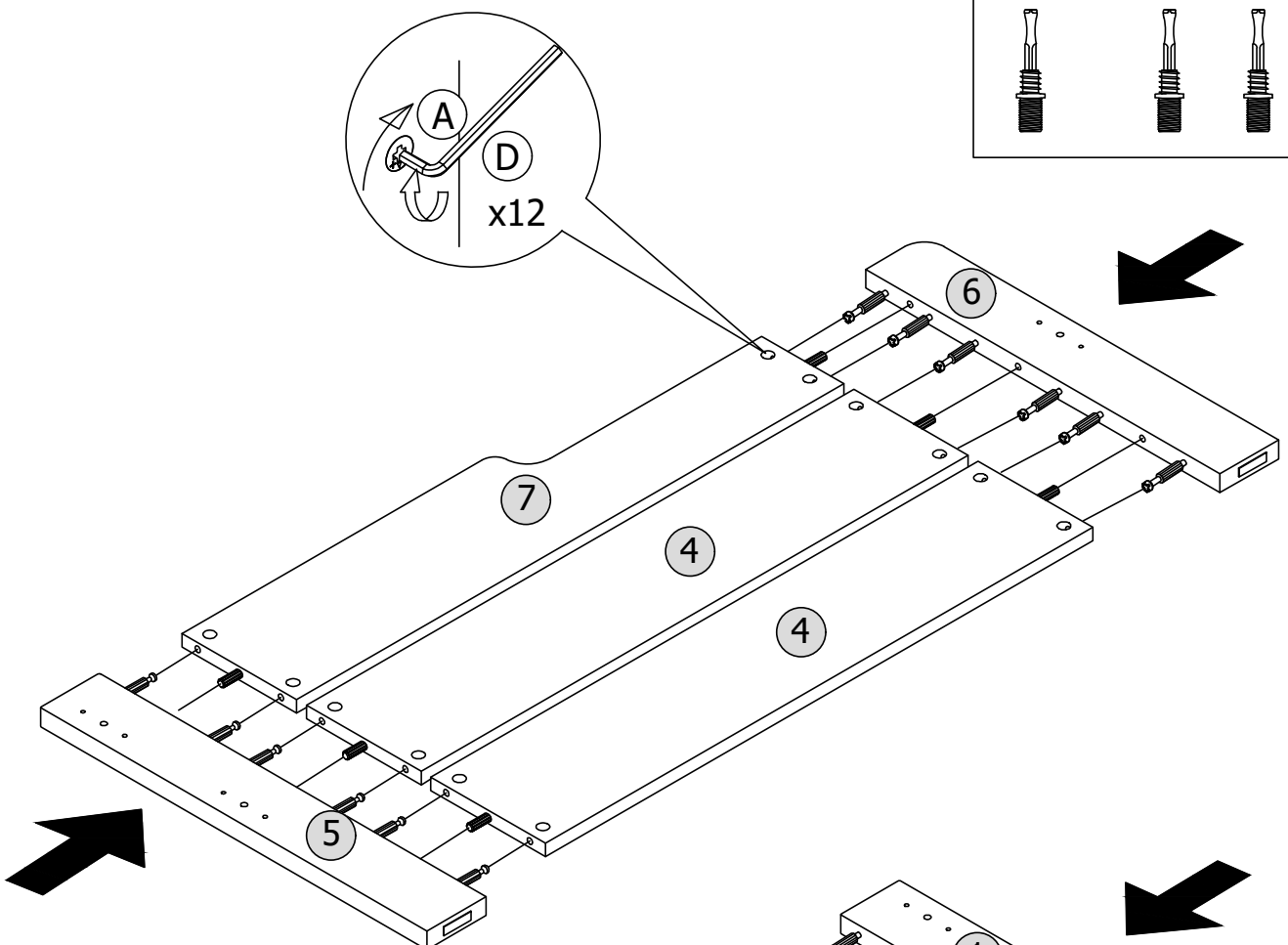
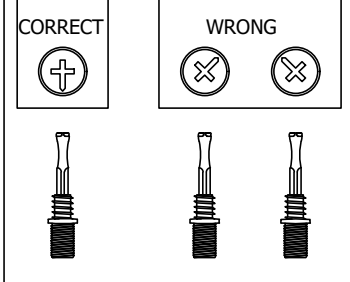


DO NOT USE POWER TOOLS AS THIS MAY DAMAGE THE FRAME AND WILL INVALIDATE ANY CLAIM.

DO NOT USE POWER TOOLS

Step 3


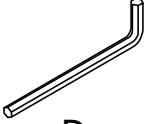
WHEN FITTING CAMS
ENSURE STARTING POSITION IS CORRECT
BEFORE YOU INSERT CONNECTING BOLT
TURN CLOCKWISE UNTIL SECURE

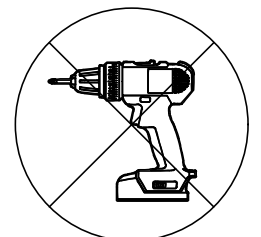
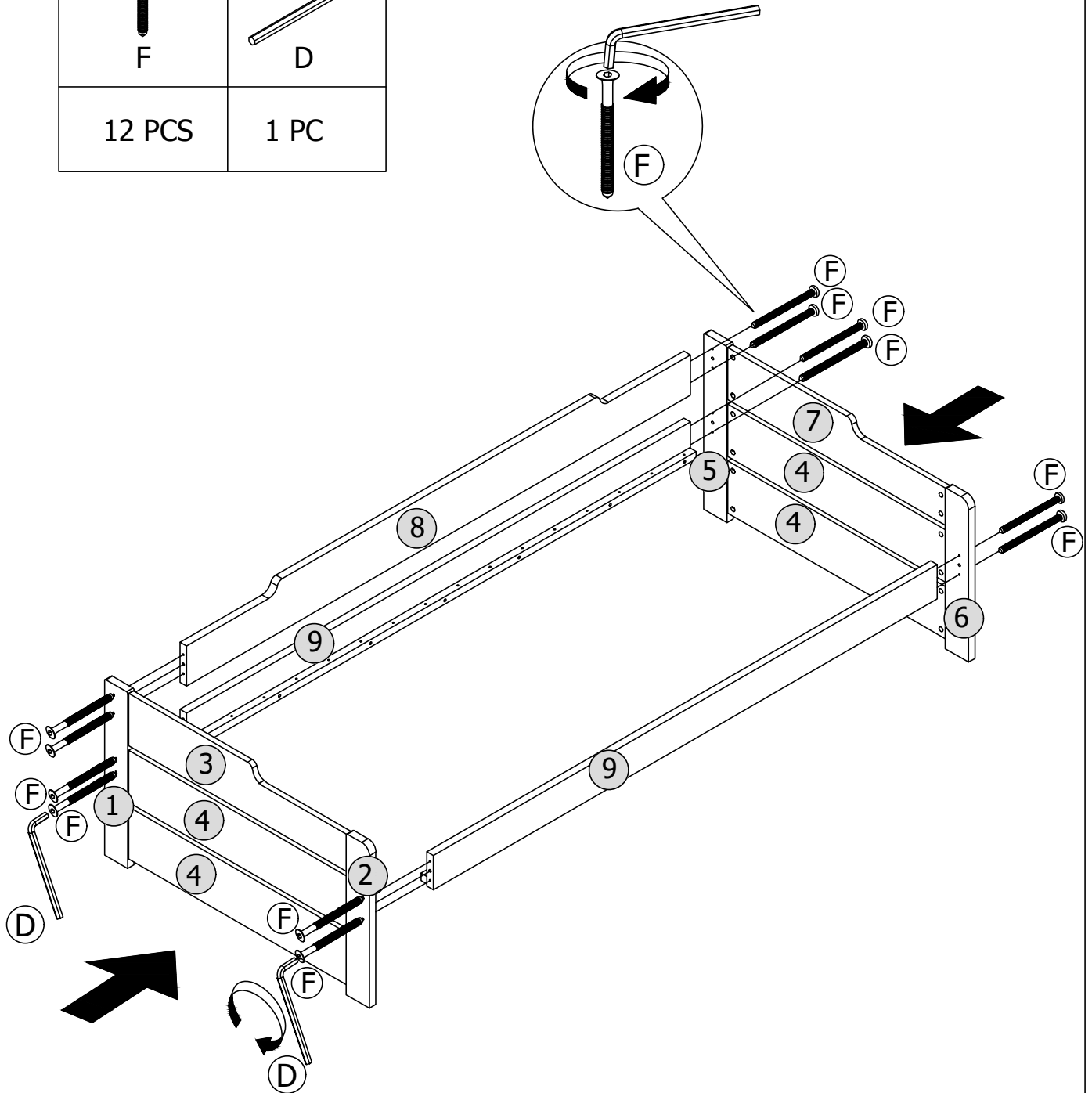


DO NOT USE POWER TOOLS AS THIS MAY DAMAGE THE FRAME AND WILL INVALIDATE ANY CLAIM.

DO NOT USE POWER TOOLS

Step 4


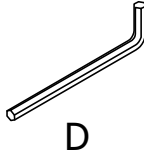
 F	 D
12 PCS	1 PC

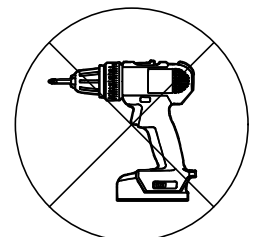
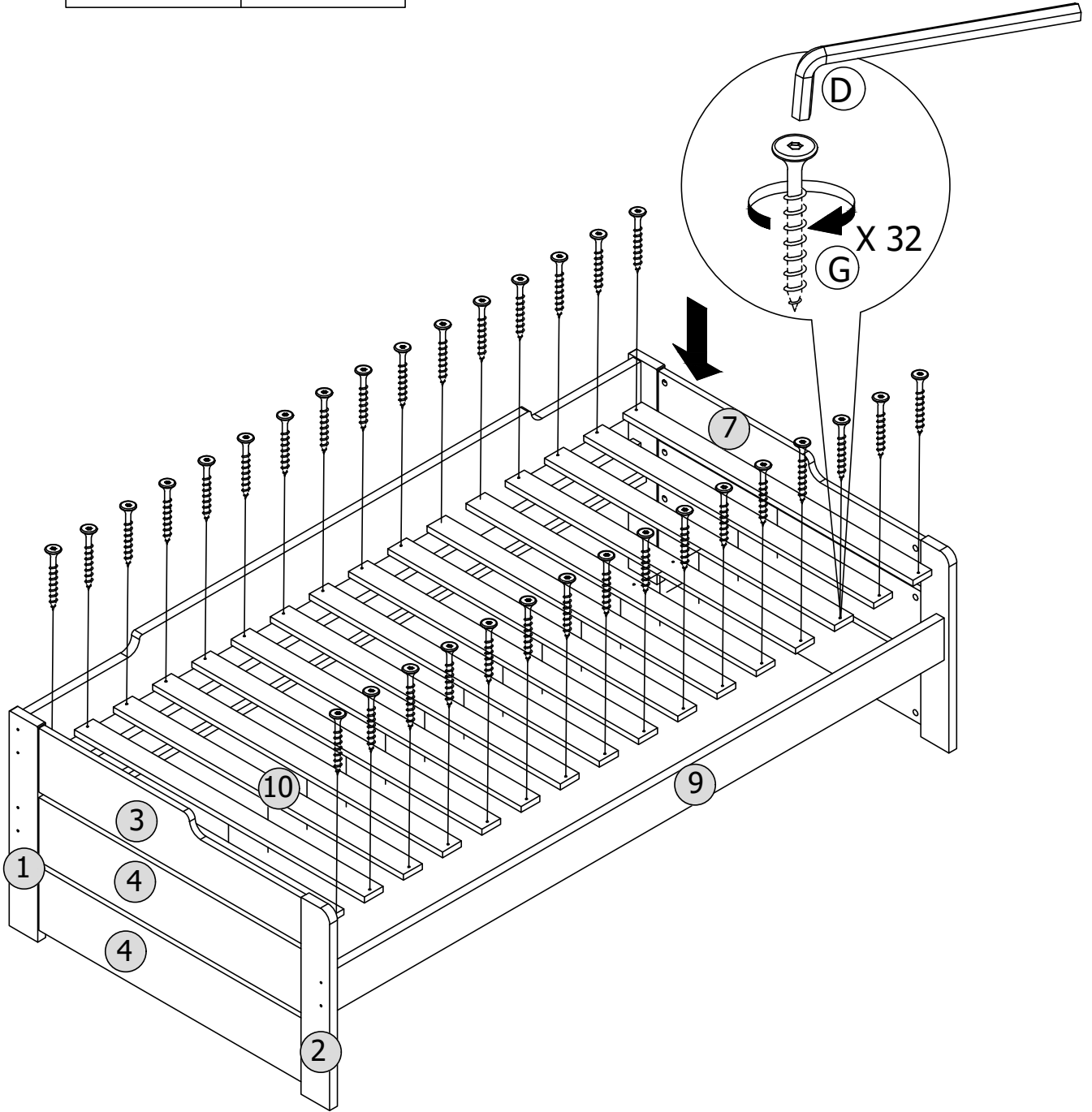


DO NOT USE POWER TOOLS AS THIS MAY DAMAGE THE FRAME AND WILL INVALIDATE ANY CLAIM.

DO NOT USE POWER TOOLS

Step 5

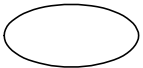
 G	 D
32 PCS	1 PC

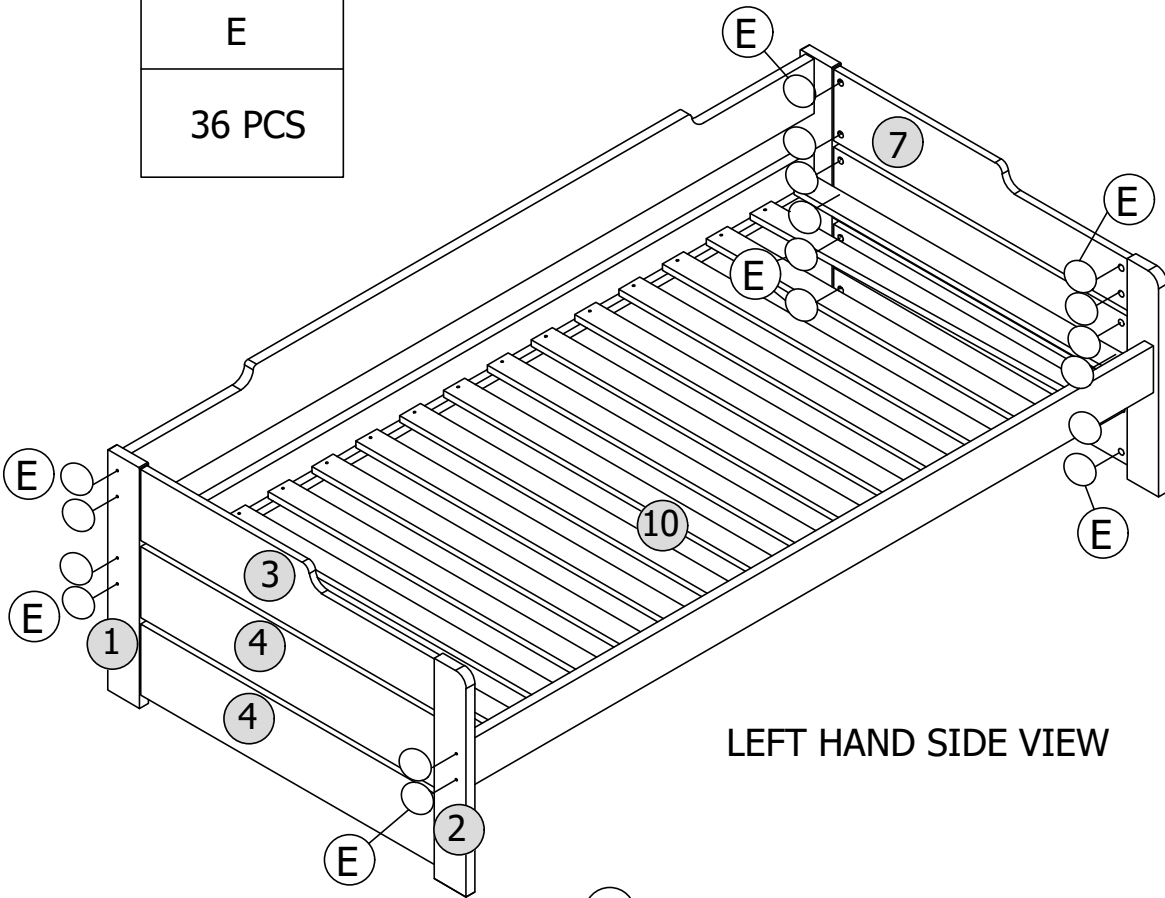


DO NOT USE POWER TOOLS AS THIS MAY DAMAGE THE FRAME AND WILL INVALIDATE ANY CLAIM.

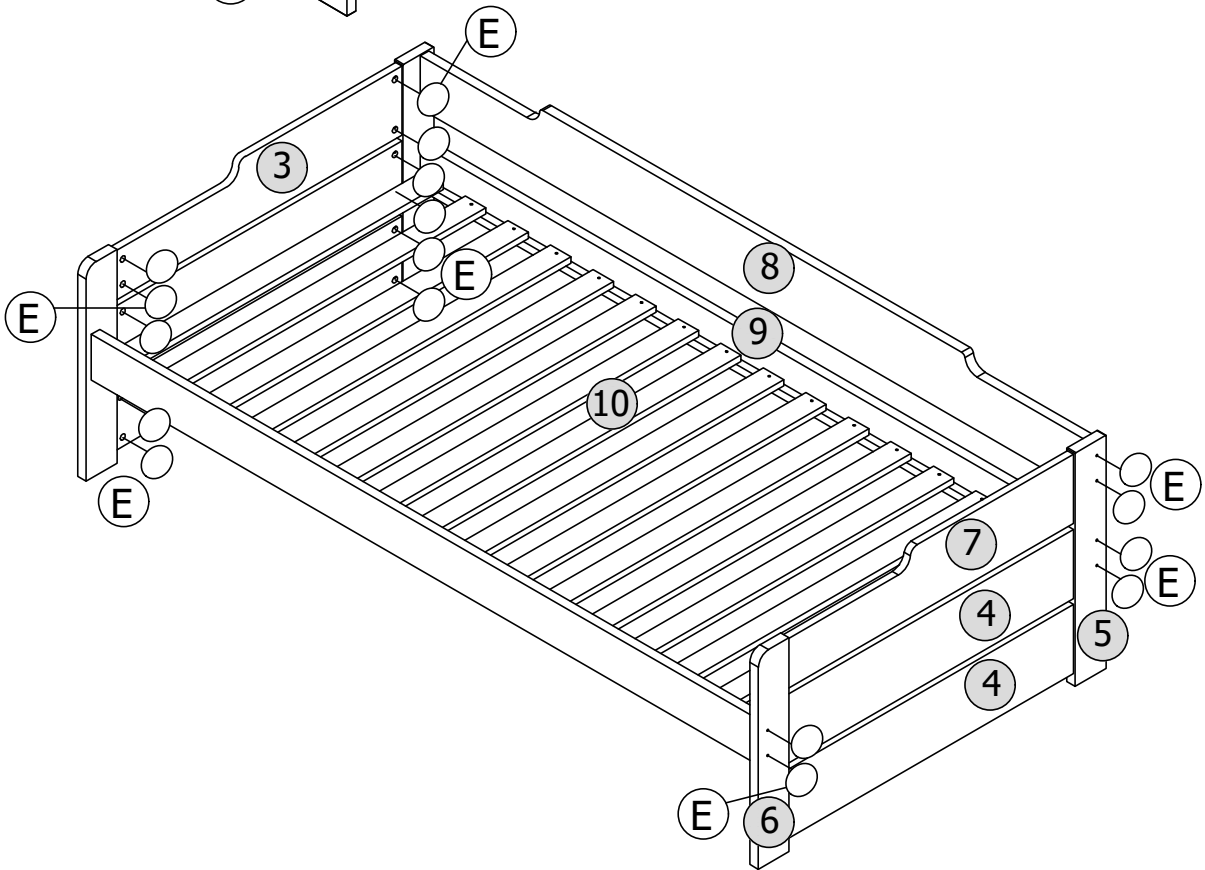
DO NOT USE POWER TOOLS

Step 6

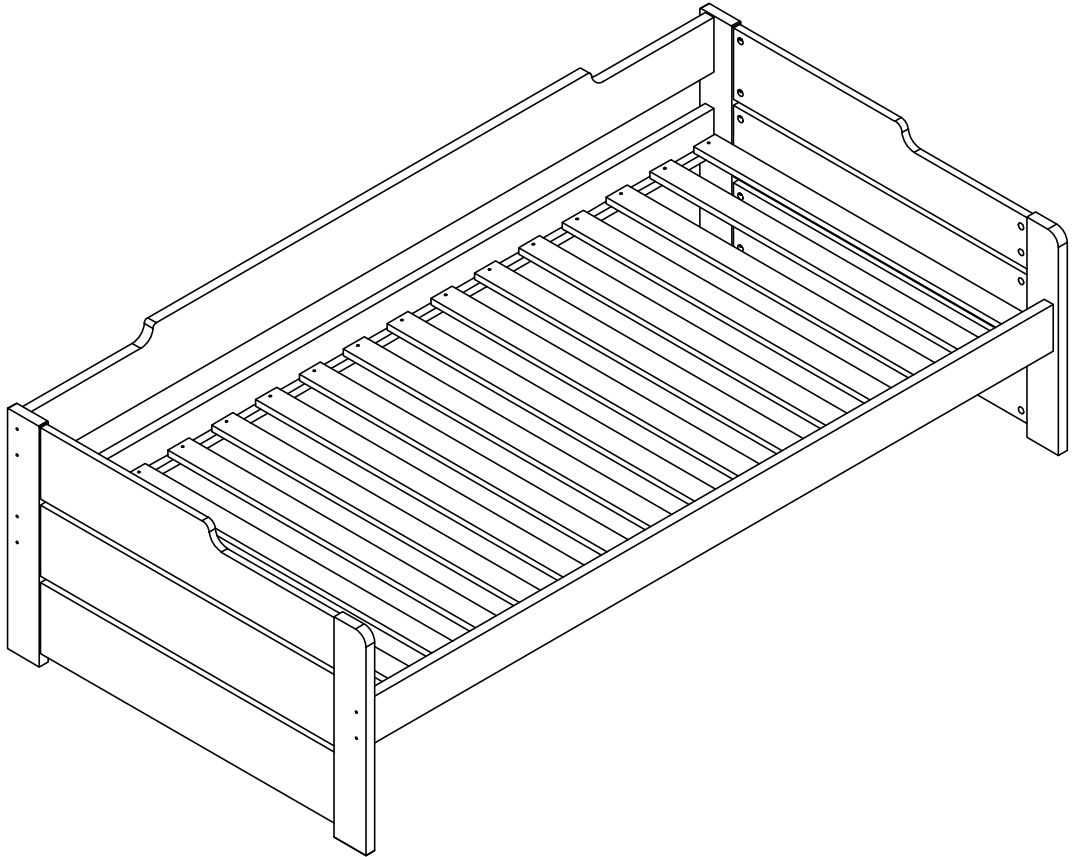

E
36 PCS



LEFT HAND SIDE VIEW



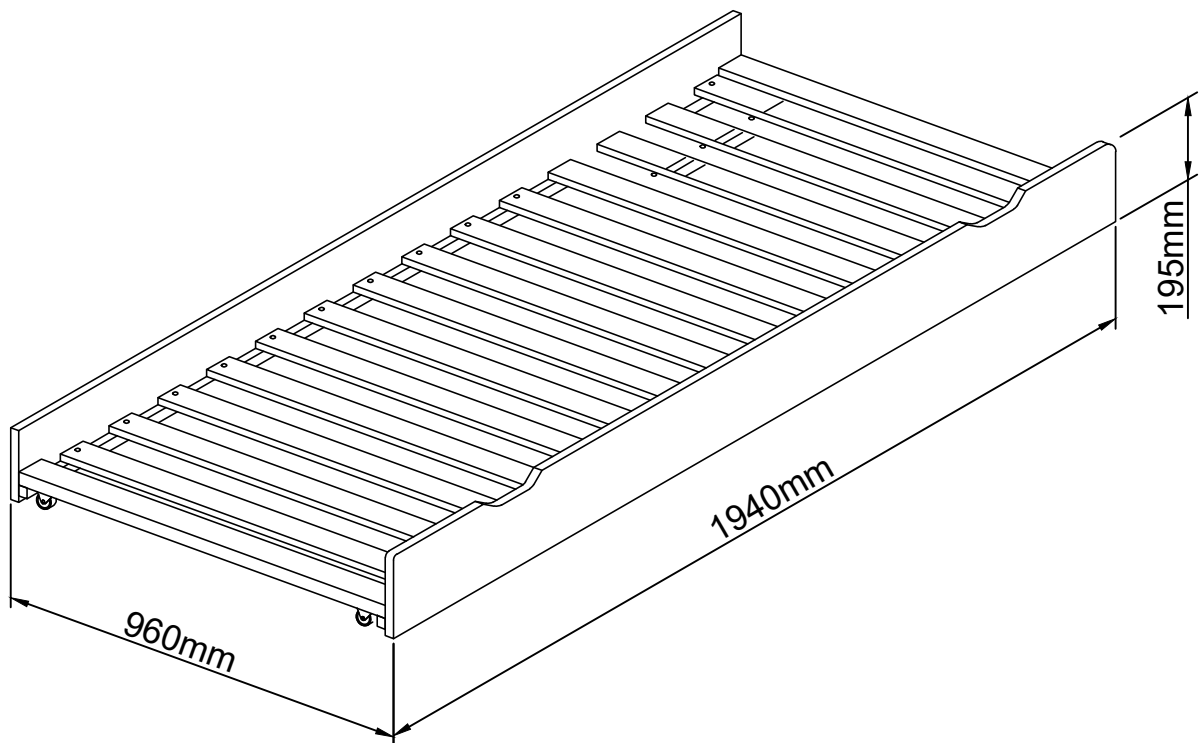
RIGHT HAND SIDE VIEW



YOUR COPELLA DAY BED IS NOW READY FOR USE.

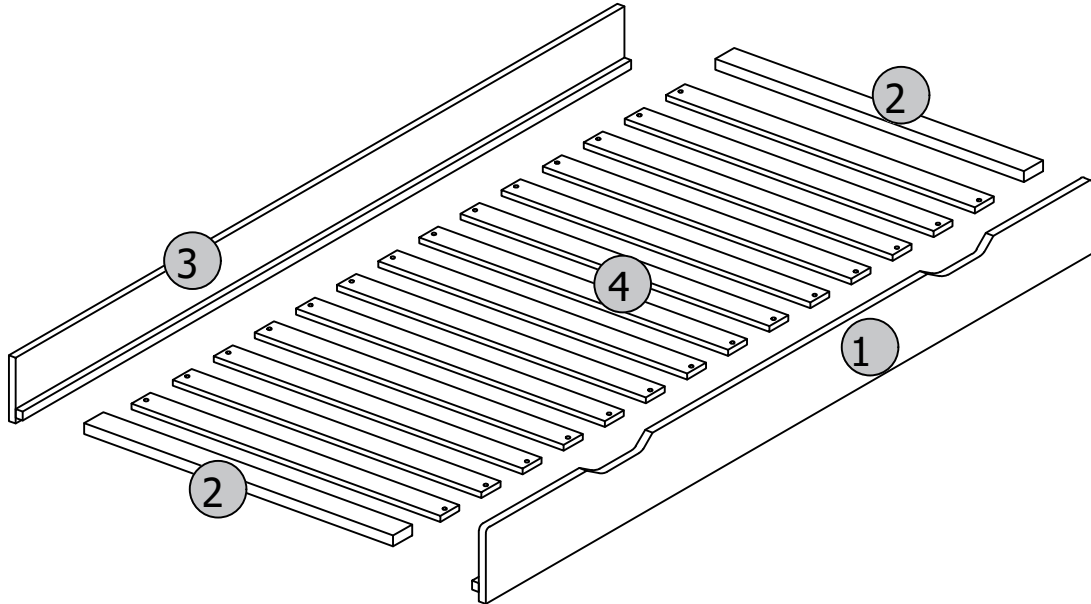
COPELLA GUEST BED TRUNDLE

ASSEMBLY INSTRUCTION



All measurements are approximate

Parts

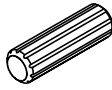

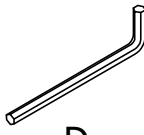


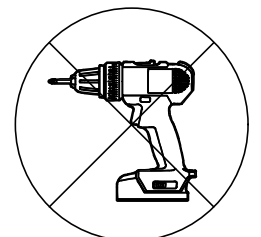
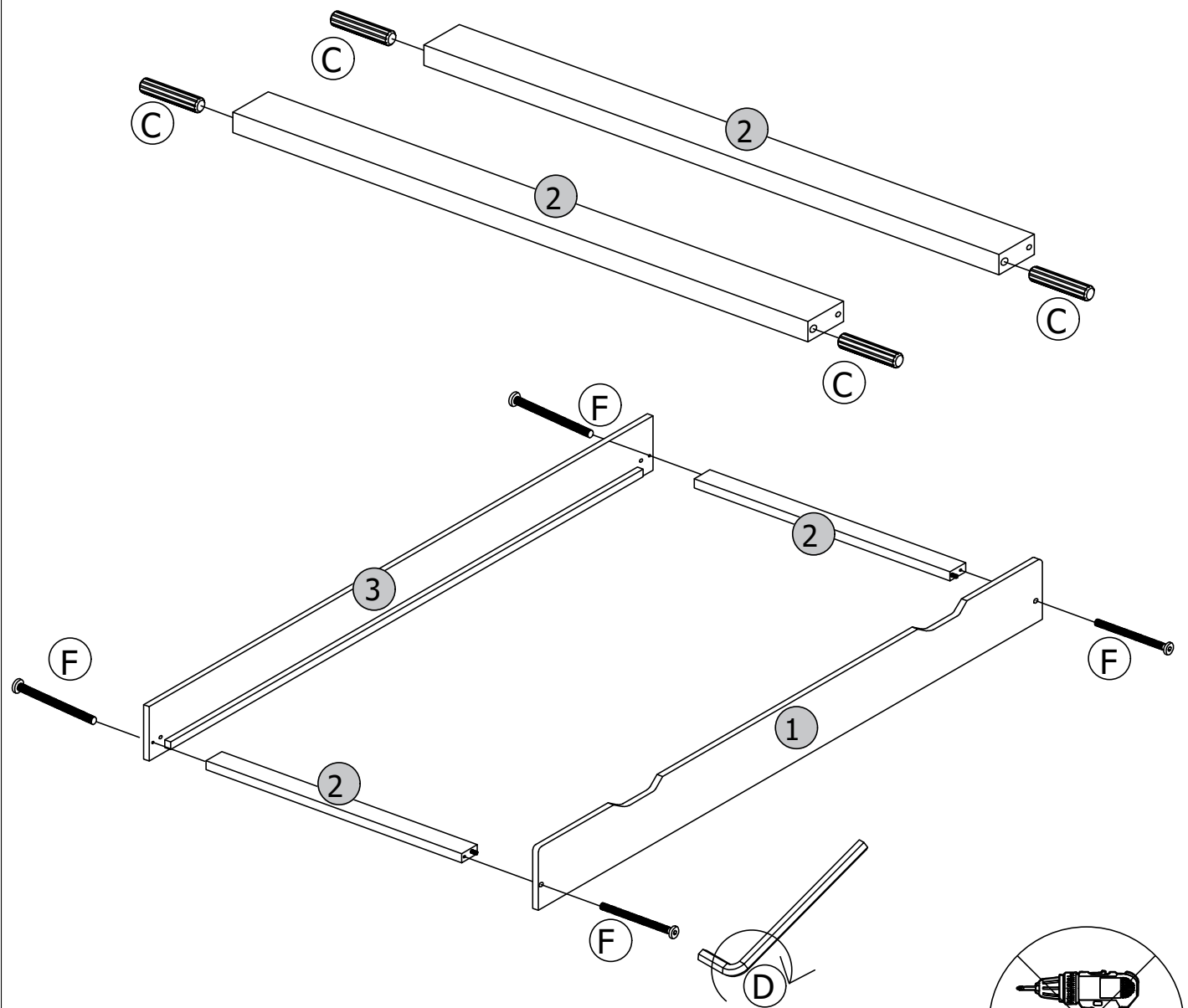
ALL PARTS ARE NUMBERED ACCORDINGLY

Copella Guest Bed Trundle Part List:

CARTON 1 OF 1		
NO.	DESCRIPTION.	QTY
1	FRONT PANEL	1
2	LEFT & RIGHT SIDE PANEL	2
3	SIDE RAIL	1
4	LVL SLATS	14

Step 1



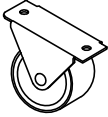
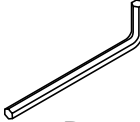
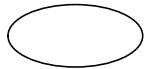
		
C	F	D
4 PCS	4 PCS	1 PC

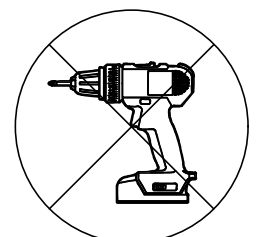
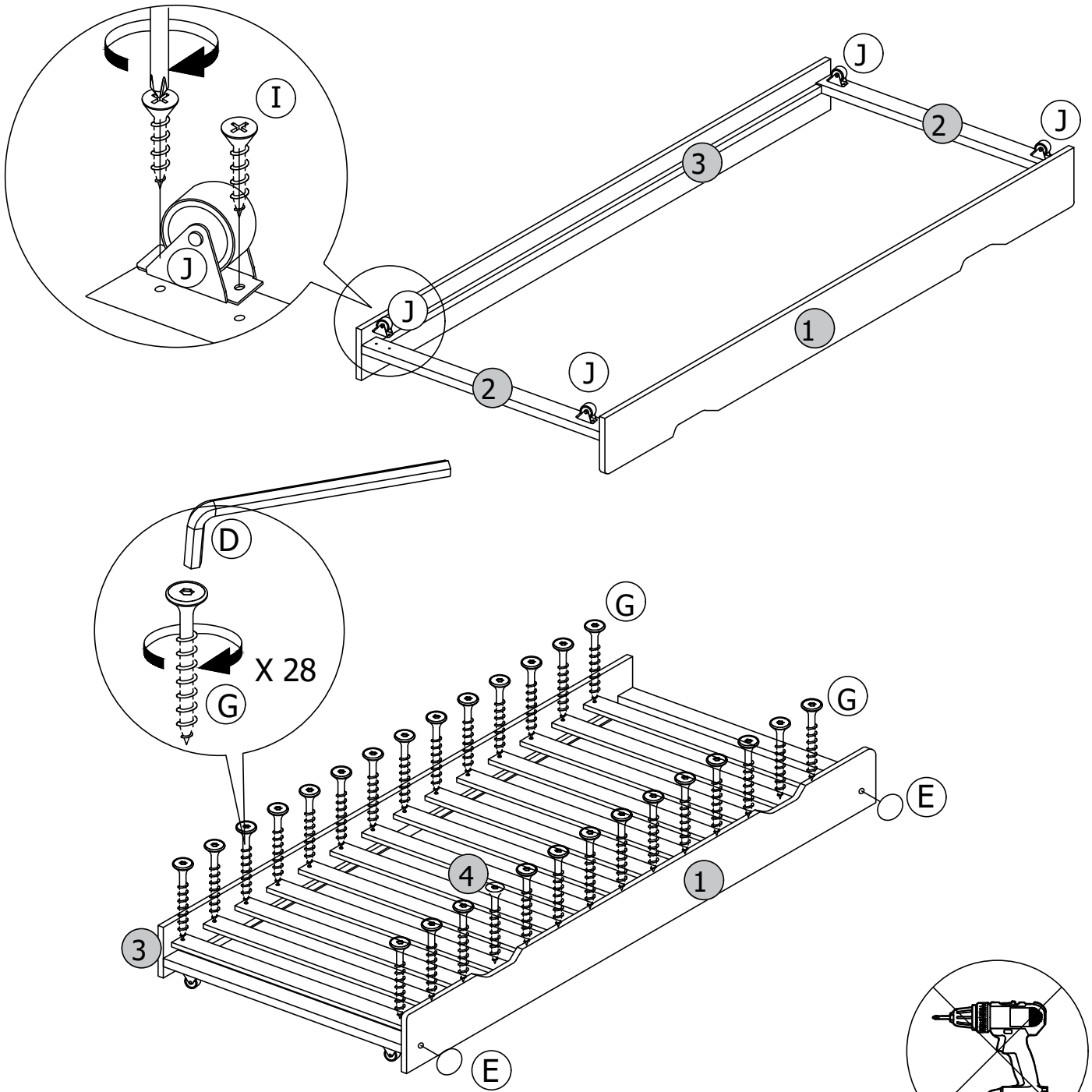


DO NOT USE POWER TOOLS AS THIS MAY DAMAGE THE FRAME AND WILL INVALIDATE ANY CLAIM.

DO NOT USE POWER TOOLS

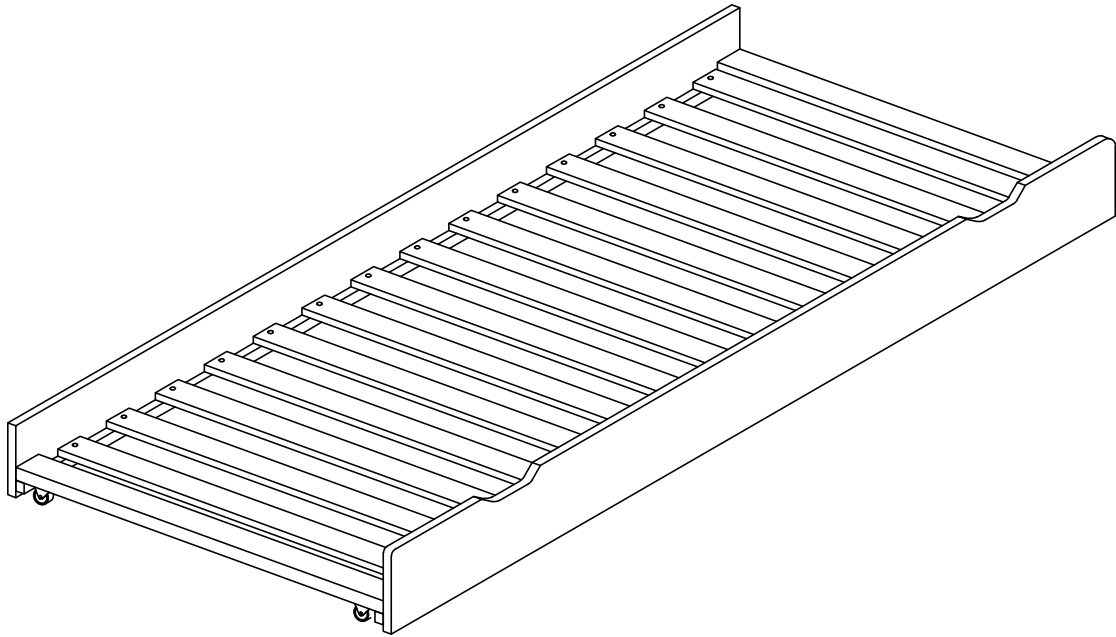
Step 2

				
I	G	J	D	E
8 PCS	28 PCS	4 PCS	1 PC	2 PCS



DO NOT USE POWER TOOLS AS THIS MAY DAMAGE THE FRAME AND WILL INVALIDATE ANY CLAIM.

DO NOT USE POWER TOOLS



YOUR COPELLA GUEST BED TRUNDLE NOW READY FOR USE.