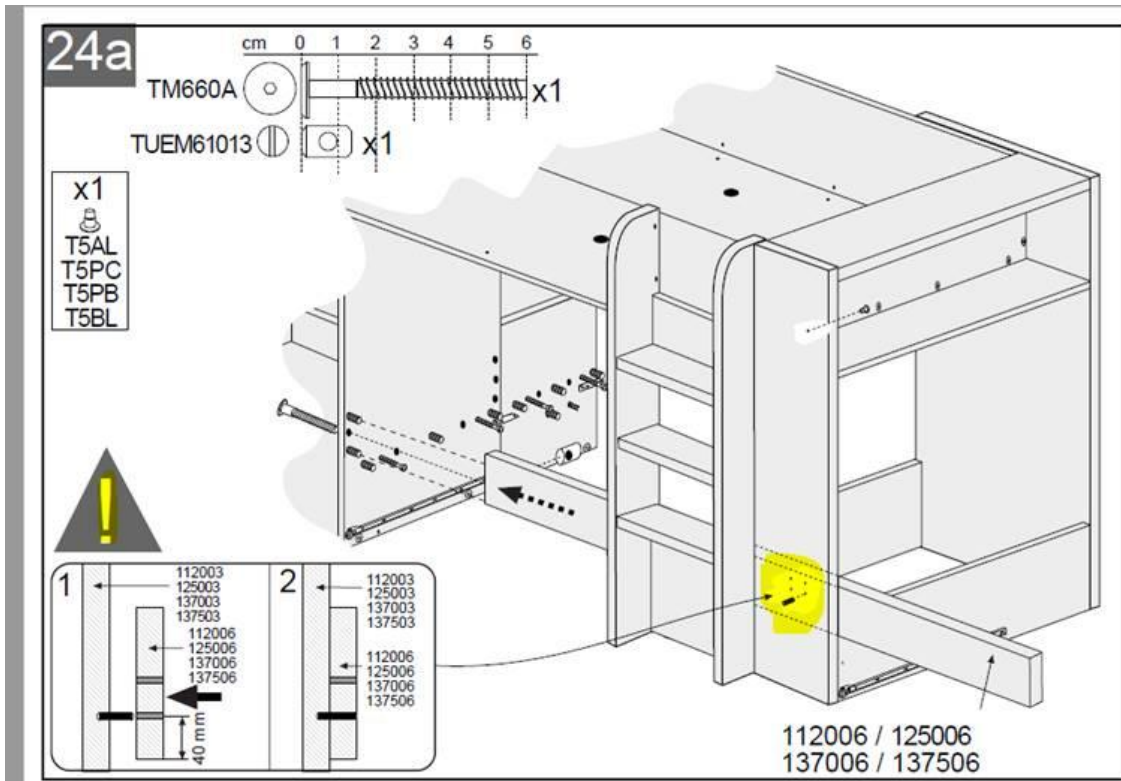


You have to fix this screw (in yellow) exactly where it goes, to have the right space for the drawers. To do this, you will need to unscrew this screw, and move the 112006 panel to get the correct distances.



To check if you did it right, just measure the distance shaded in yellow below, if it is 672mm then the drawers are perfectly assembled

