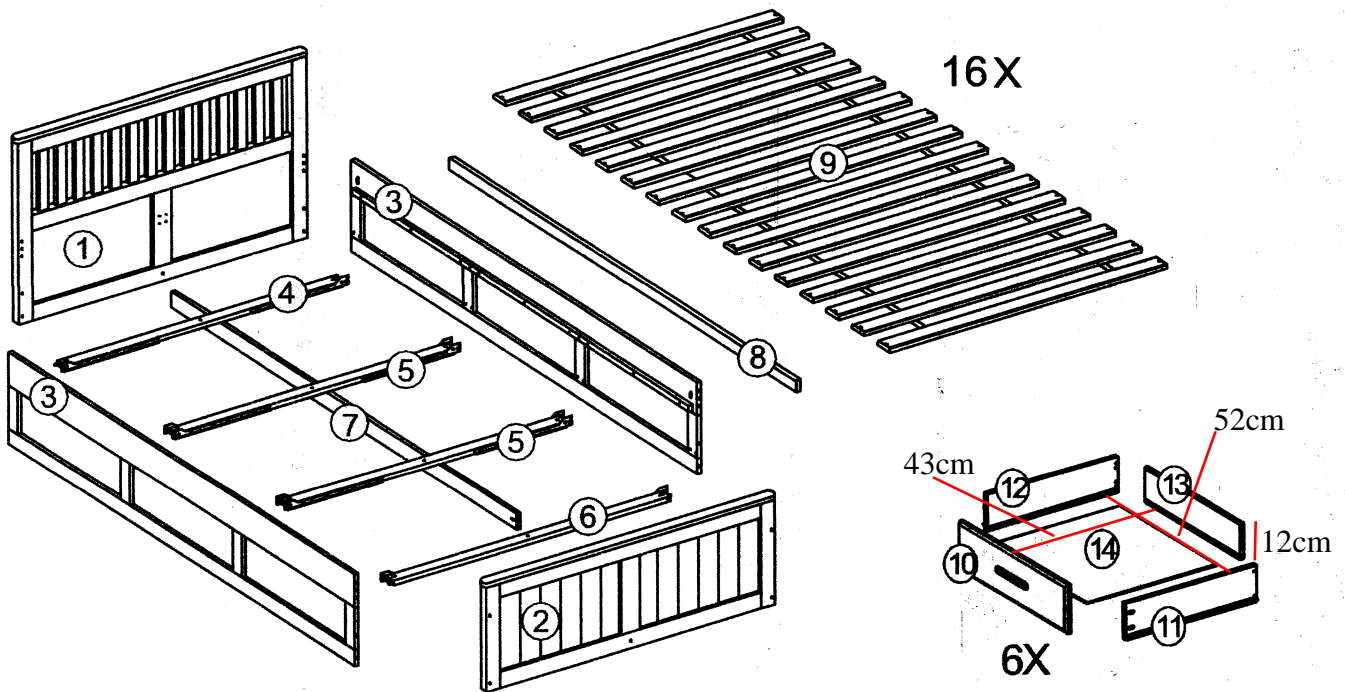
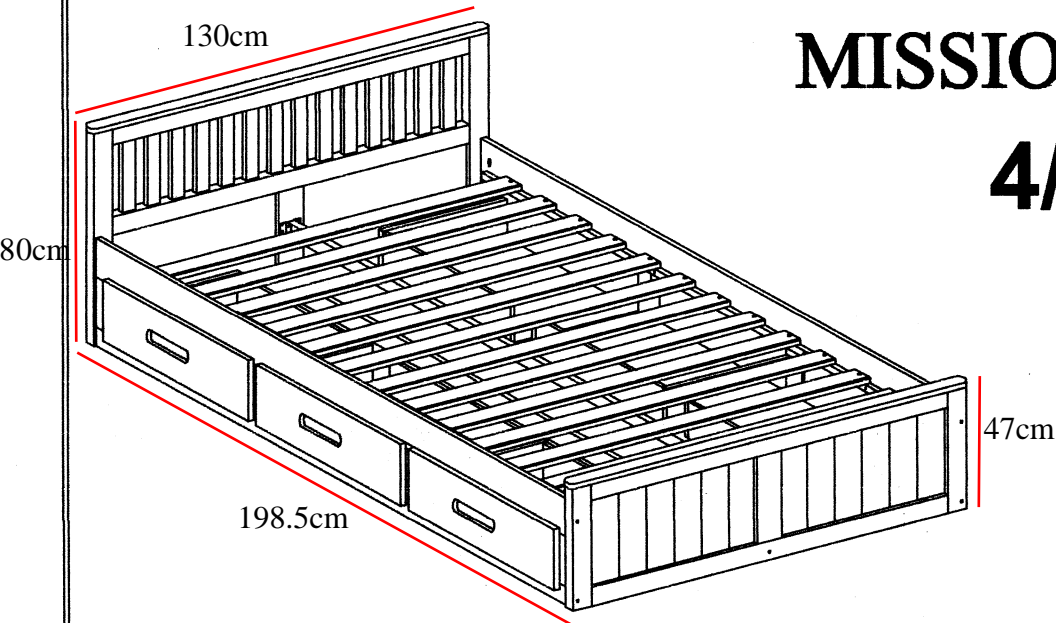


ASSEMBLY INSTRUCTIONS

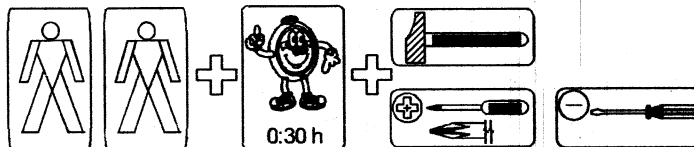
MISSION BED

4/0 - 4/6



ITEM	DESCRIPTION	QTY
1	HEADBOARD	01
2	FOOTBOARD	01
3	FRONT	02
4	LEFT DRAWER RUNNER	01
5	DRAWER RUNNERS	02
6	RIGHT DRAWER RUNNER	01
7	CROSSBEAM	01
8	SUPPORT SLATS	01
9	SLATS	13
10	DRAWER FRONT	06
11	R/H DRAWER SIDE	06
12	L/H DRAWER SIDE	06
13	DRAWER BACK	06
14	DRAWER BASE	06

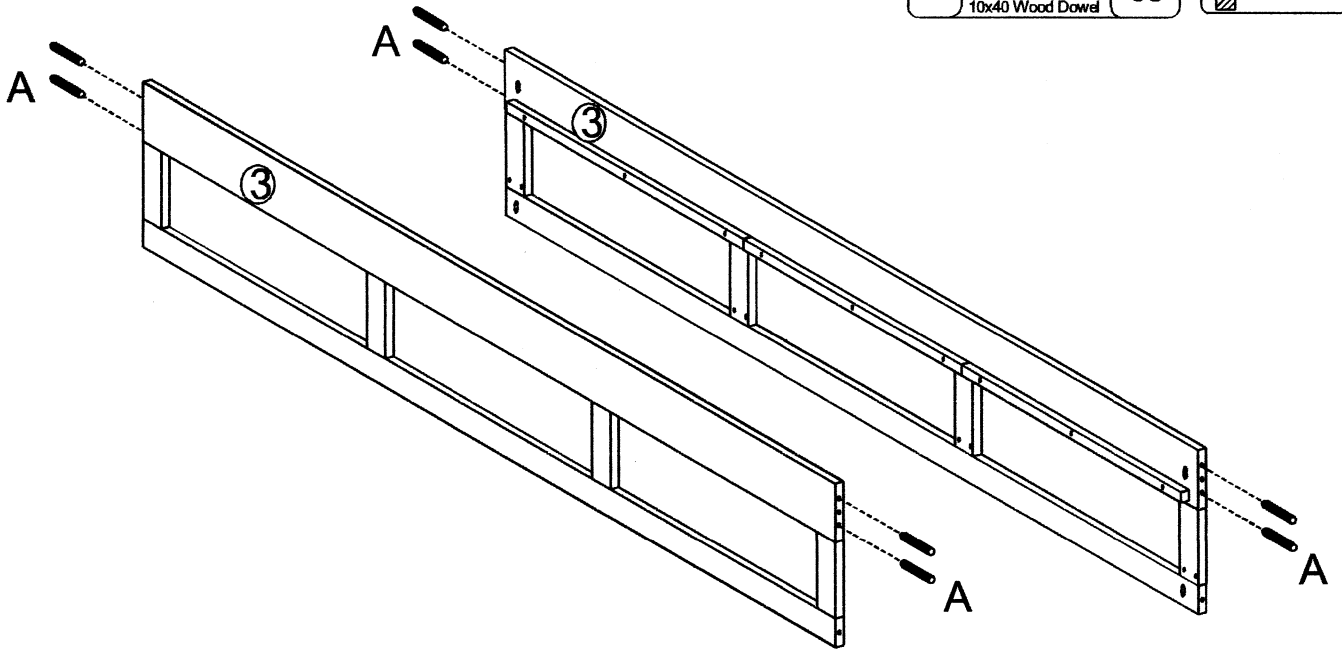
Identifying the Hardware



A	Qty 08	B	Qty 04	C	Qty 56
D	Qty 12	E	Qty 08	F	Qty 08
G	Qty 02	H	Qty 01	I	Qty 02
J	Qty 48	L	Qty 02	M	Qty 08

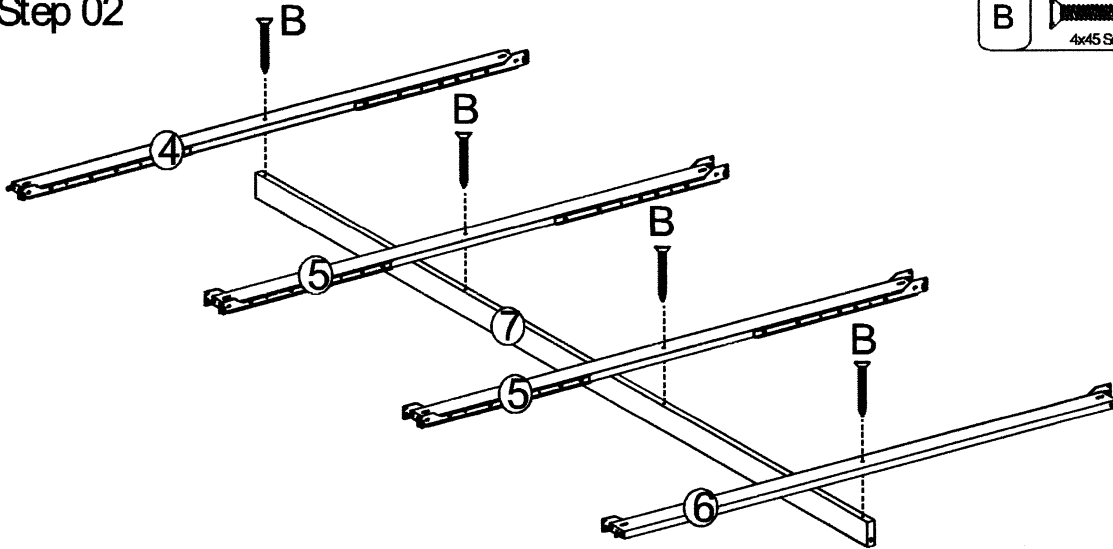
Step 01

A		Qty 08	
---	--	--------	--

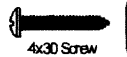
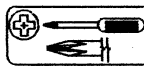


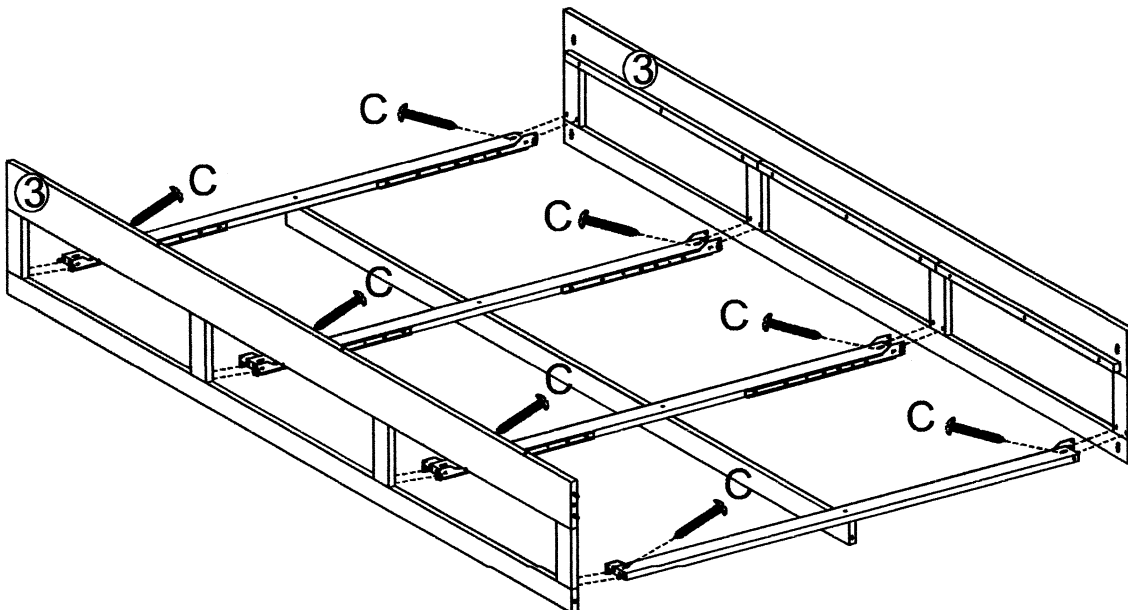
Step 02

B		Qty 04	
---	---	--------	---

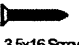




Step 03

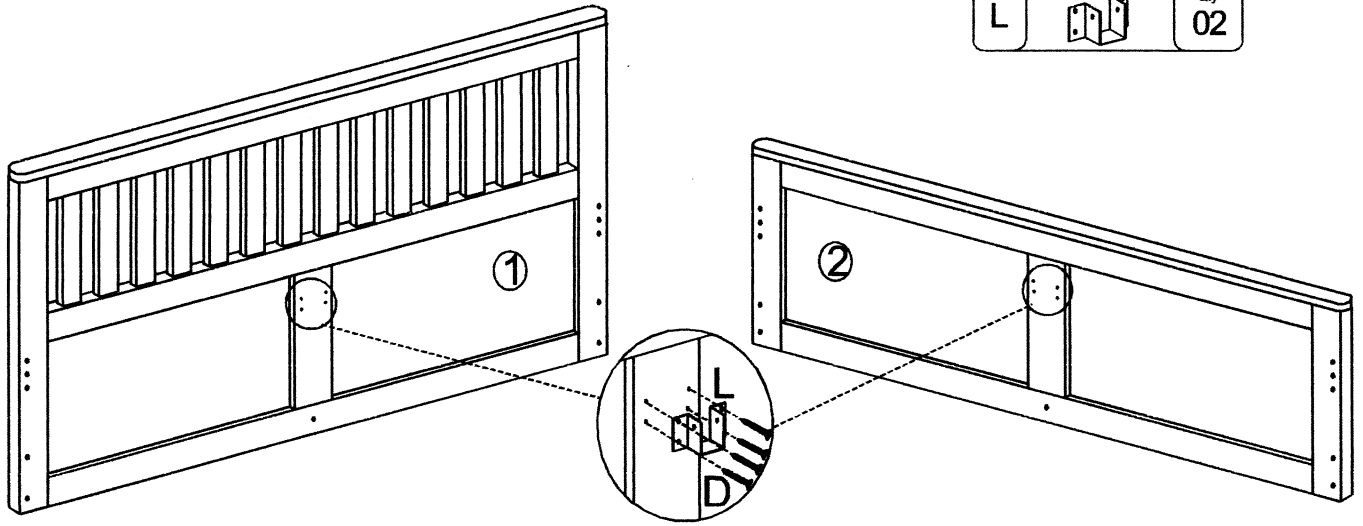
C		Qty 08	
---	---	--------	---



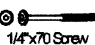
Step 04

D		Qty 08	
3,5x16 Screw			


L		Qty 02	
L-shaped connector			



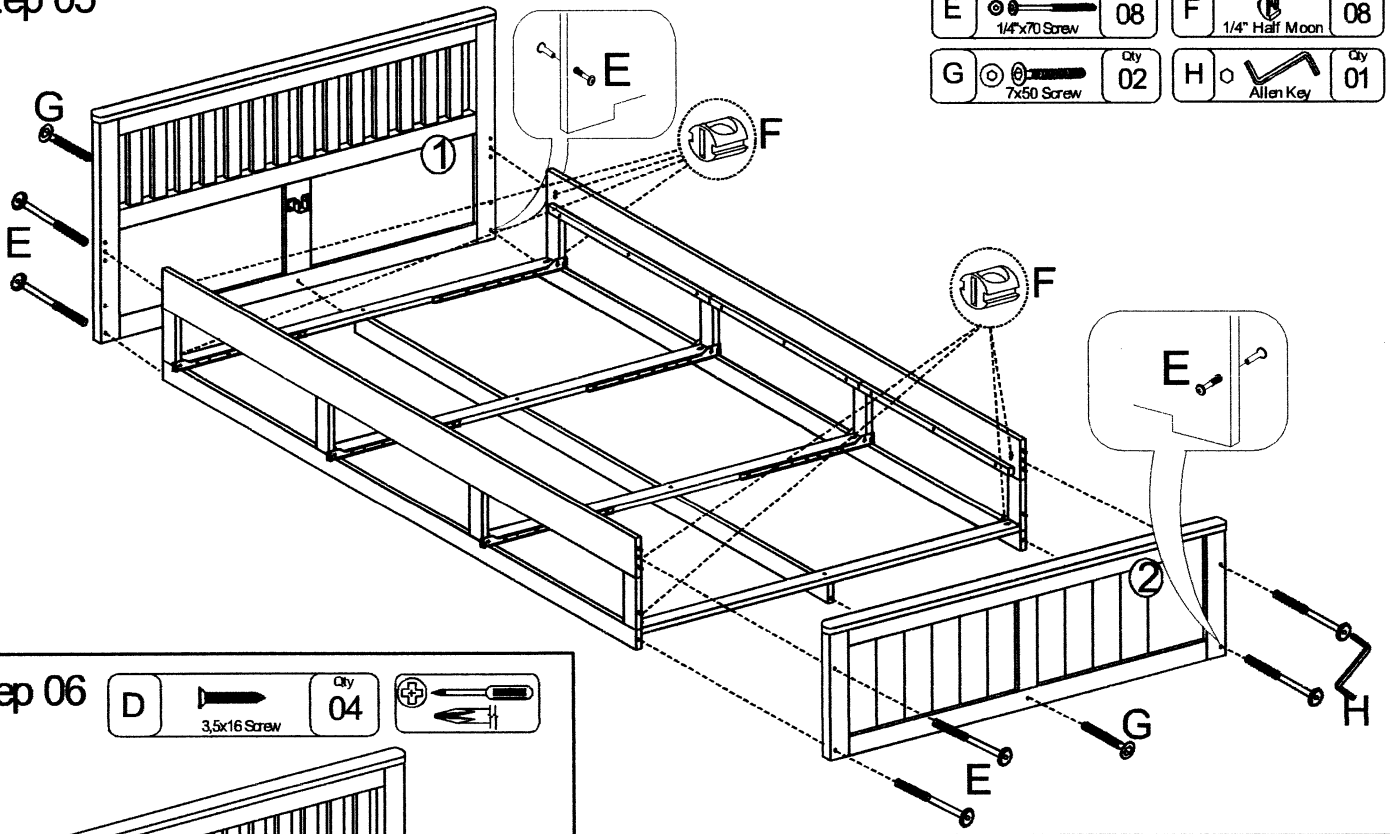
Step 05

E		Qty 08	
1/4x70 Screw			

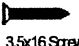
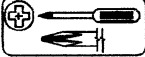
F		Qty 08	
1/4" Half Moon			

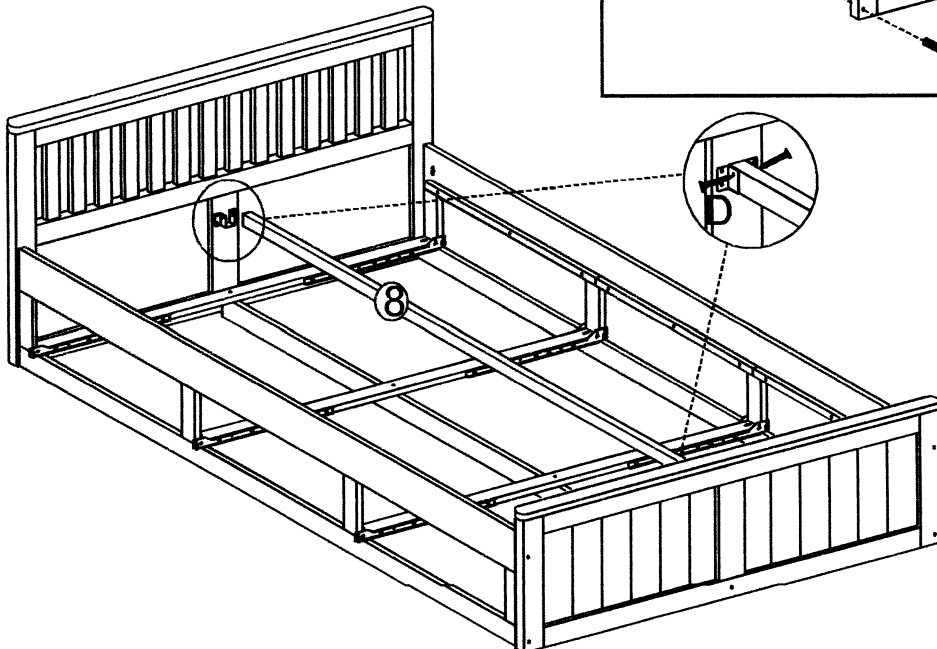
G		Qty 02	
7x50 Screw			

H		Qty 01	
Allen Key			

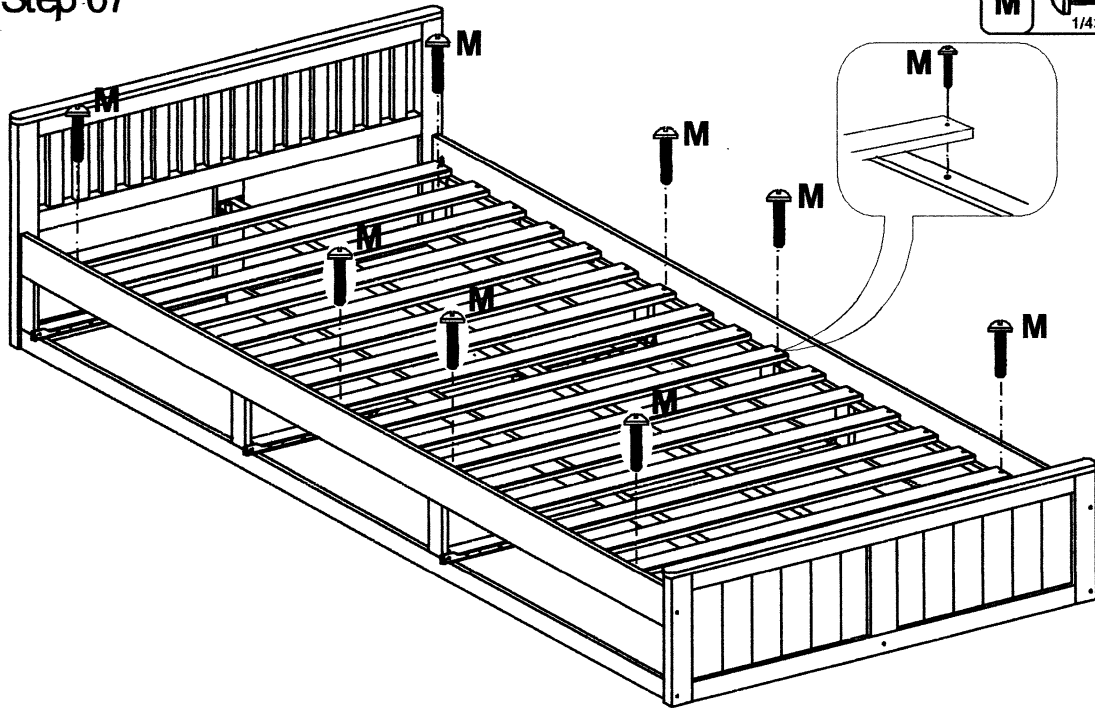


Step 06

D		Qty 04	
3,5x16 Screw			

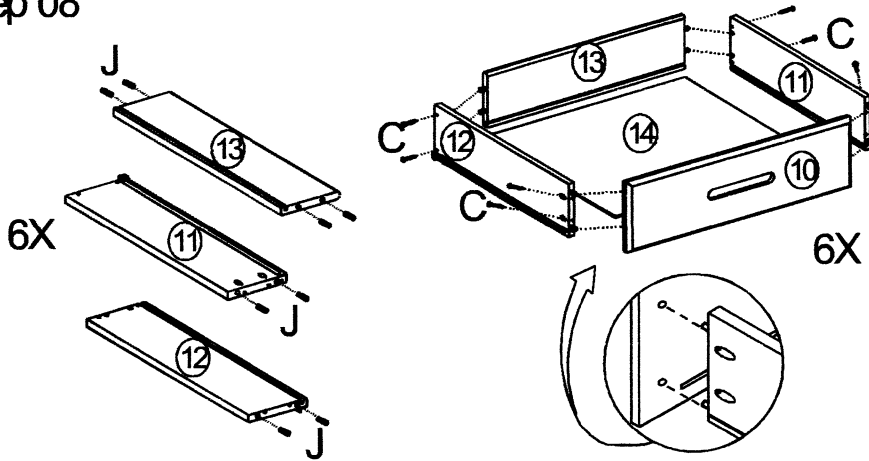


Step 07



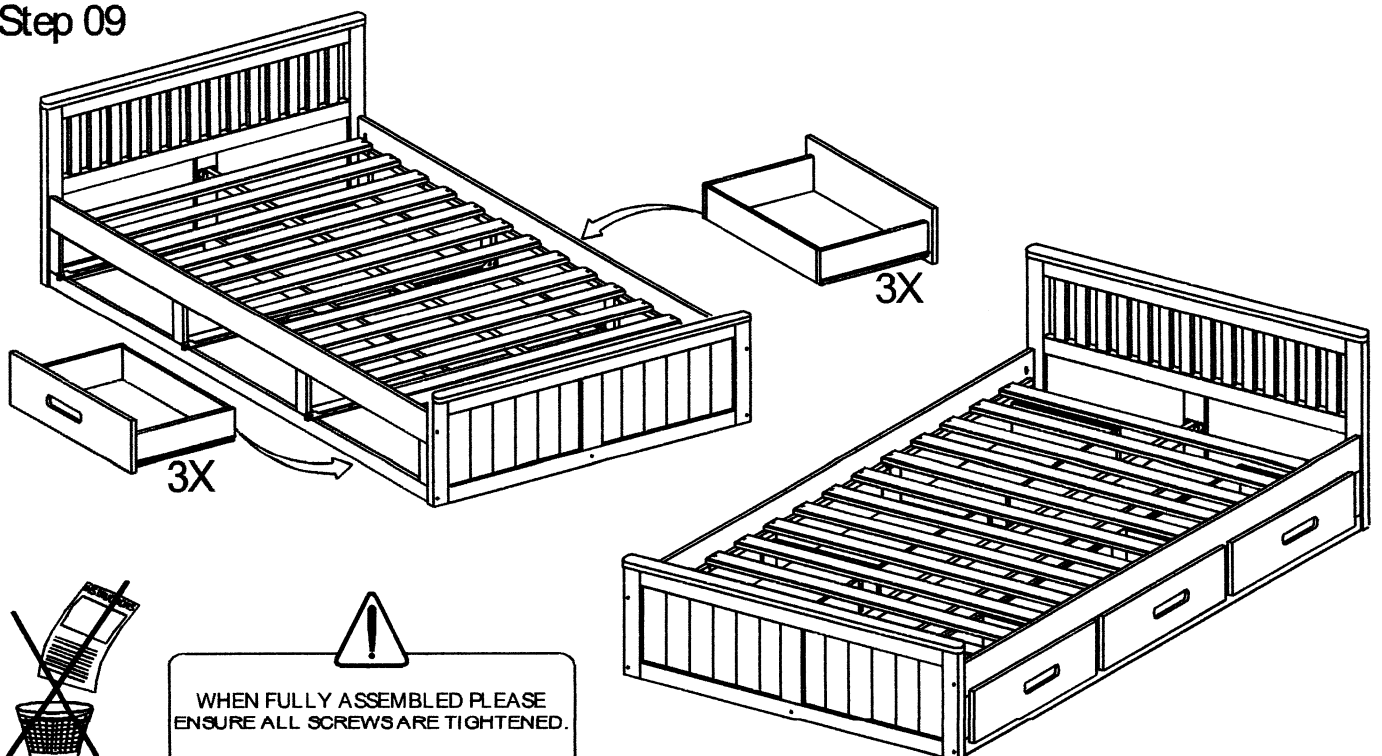
M		Qty 08	
I		Qty 02	

Step 08



C		Qty 48	
J		Qty 48	

Step 09



WHEN FULLY ASSEMBLED PLEASE ENSURE ALL SCREWS ARE TIGHTENED.